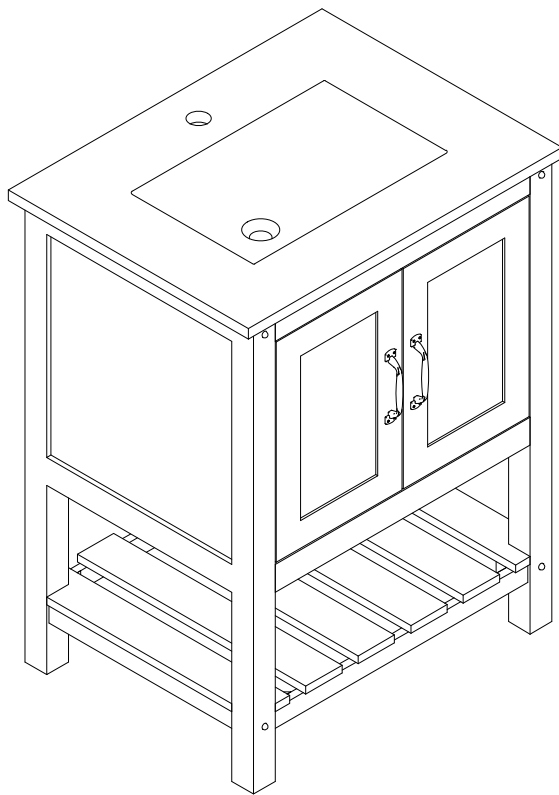


ASSEMBLY INSTRUCTIONS



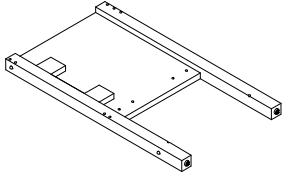
Thank you for purchasing this quality product. Be sure to check all packing material carefully for small parts, which may have come loose inside the carton during shipment. Count all parts and material hardware, then compare with parts list to be sure all parts are present. If any parts are missing or damaged, phone, fax, or mail to our Customer Service Department for efficient and speedy service. Please indicate the model number and code letter of part(s) needed.

NOTE: In order to prevent damage during assembly, please assemble this item with at least two people.

IMPORTANT NOTE: Follow instructions listed below in proper sequence as numbered to assure fast, easy and correct assembly.

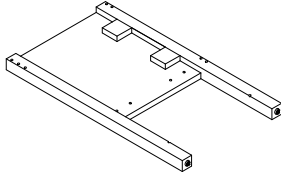
PARTS LIST

1



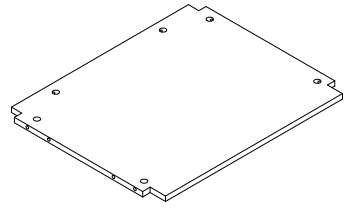
LEFT PANEL-1PC

2



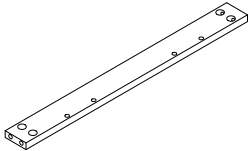
RIGHT PANEL-1PC

3



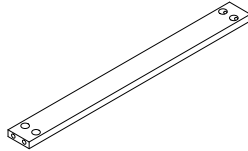
SHELF PANEL-1PC

4



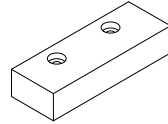
SHELF RAIL -1PC

5



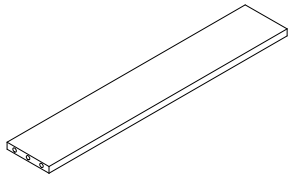
FRONT PANEL -1PC

6



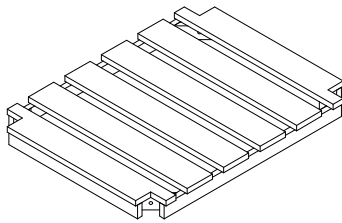
DOOR STOP -1PC

7



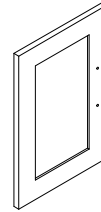
BACK PANEL-1PC

8



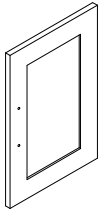
BOTTOM FRAME-1PC

9



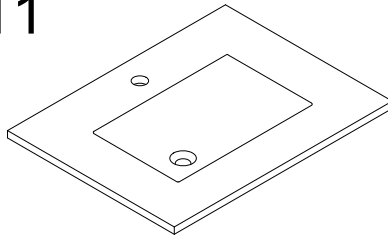
LEFT DOOR-1PC

10





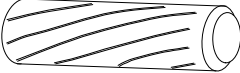
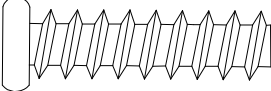
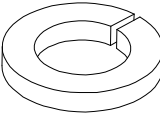
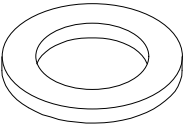
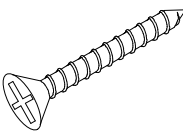
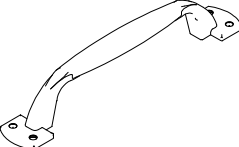
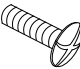
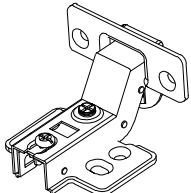
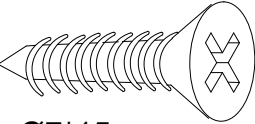


RIGHT DOOR-1PC

11

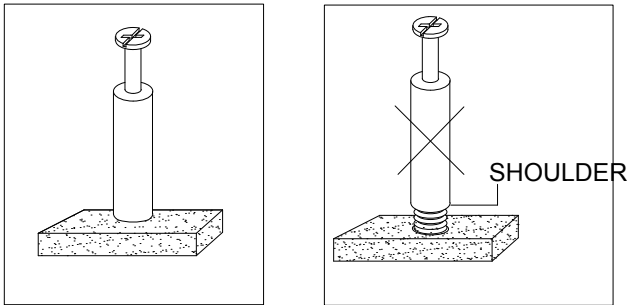


SINK-1PC

HARDWARE LIST

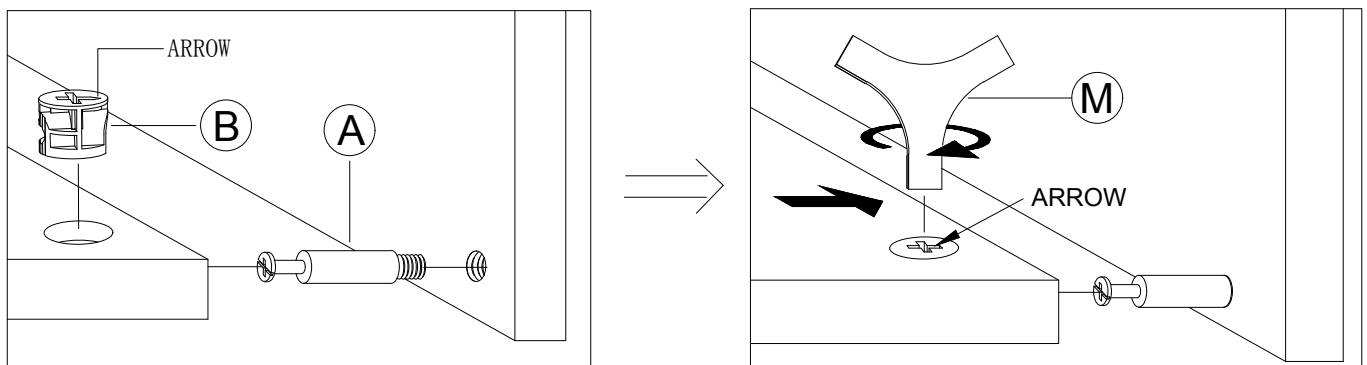
<p>A M6*35mm</p>  <p>CAM-BOLTS - 16PCS</p>	<p>B Ø15*12mm</p>  <p>CAM-LOCKS-16PCS</p>	<p>C Ø8*30mm</p>  <p>DOWELS-10PCS</p>
<p>D</p>  <p>Ø1/4*50mm</p> <p>BOLT-4PCS</p>	<p>E</p>  <p>SPRING WASHER-4PCS</p>	<p>F</p>  <p>FLAT WASHER-4PCS</p>
<p>G Ø8*19mm</p>  <p>SCREWS - 2PCS</p>	<p>H</p>  <p>HANDLE - 2PCS</p>	<p>I Ø8*15mm</p>  <p>BOLT - 4PCS</p>
<p>J</p>  <p>HINGES-4PCS</p>	<p>K</p>  <p>Ø7*15mm</p> <p>SCREW-24PCS</p>	<p>L</p>  <p>4mm</p> <p>ALLEN WRENCH x 1</p>
<p>M</p>  <p>CAM TOOL-1PC</p>		

NOTE: ● UPON OPENING, THOROUGHLY CLEAN ALL WOOD SURFACES TO REMOVE DUST AND DIRT THAT MAY HAVE SETTLED ONTO FINISH DURING SHIPMENT. IN ORDER TO PREVENT DAMAGE DURING ASSEMBLY, PLEASE ASSEMBLE THIS ITEM WITH AT LEAST TWO PEOPLE.

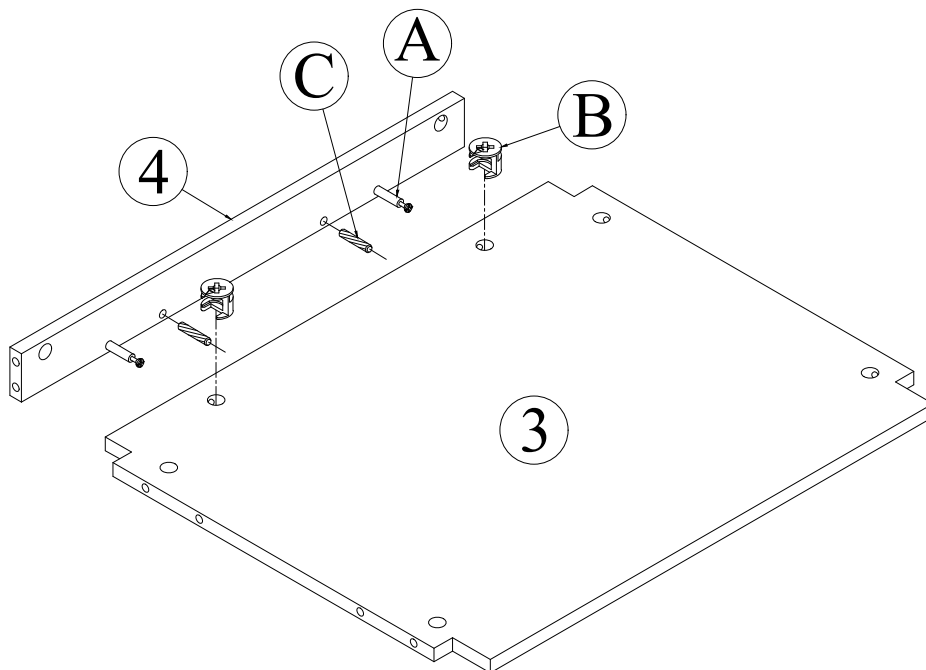


NOTE: TURN THE CAM-BOLT SCREWS UNTIL THEY ARE TIGHT, THE SHOULDER SHOULD BE AGAINST THE SURFACE OF THE PART.

HOW TO USE THE CAM-TOOL

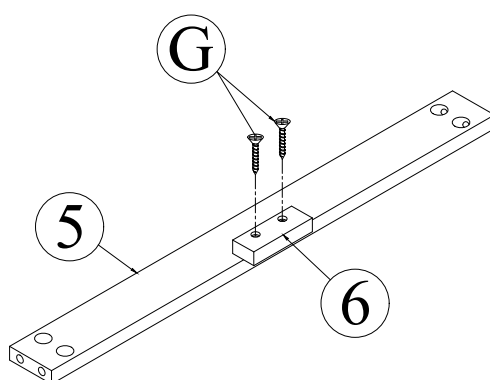


NOTE: ● THE ARROWS ON THE HIDDEN CAM-LOCKS SHOULD POINT TO THE CAM-BOLTS



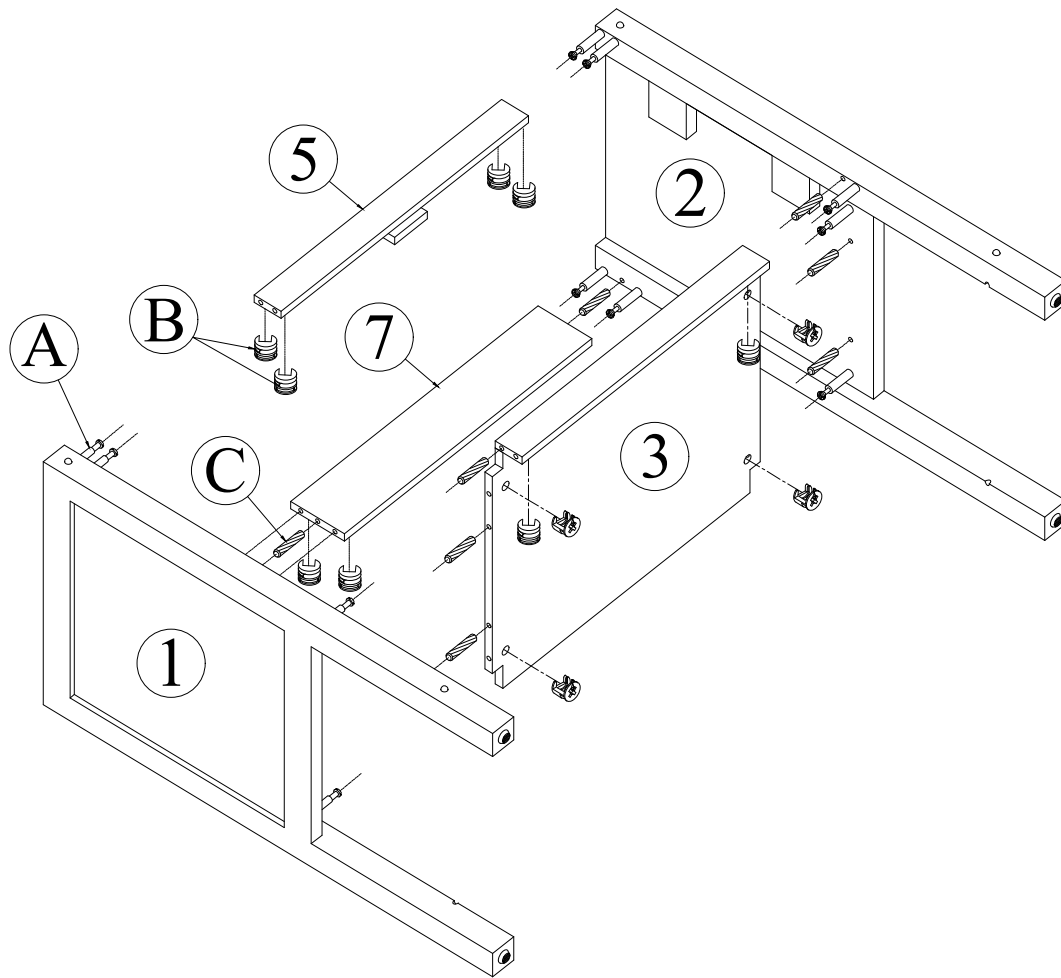
1).ASSEMBLE THE PANEL (3/4)

- ROTATE 2 CAM-BOLTS (A) INTO THE HOLES IN THE PANEL (4).
- PLACE THE PANEL (4) AND 2 DOWELS (C) INTO THE HOLES IN THE PANEL (3) AND ATTACH USING 2 CAM-LOCK (B).



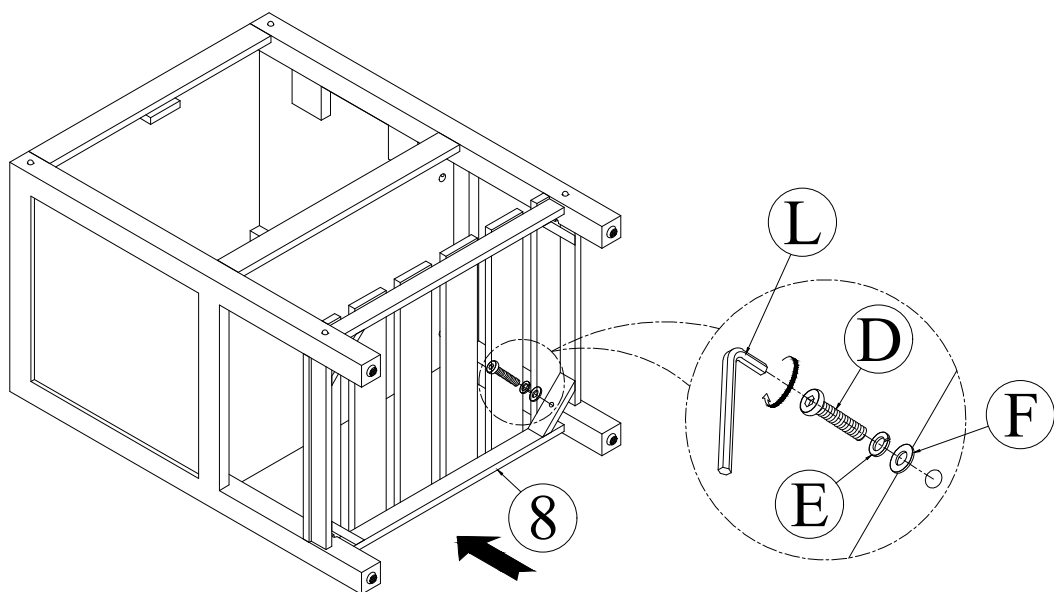
2).ASSEMBLE THE PANEL (5/6)

- PLACE THE PANEL (6) INTO THE HOLES IN THE PANEL (5) AND ATTACH USING 2 SCREW (G).



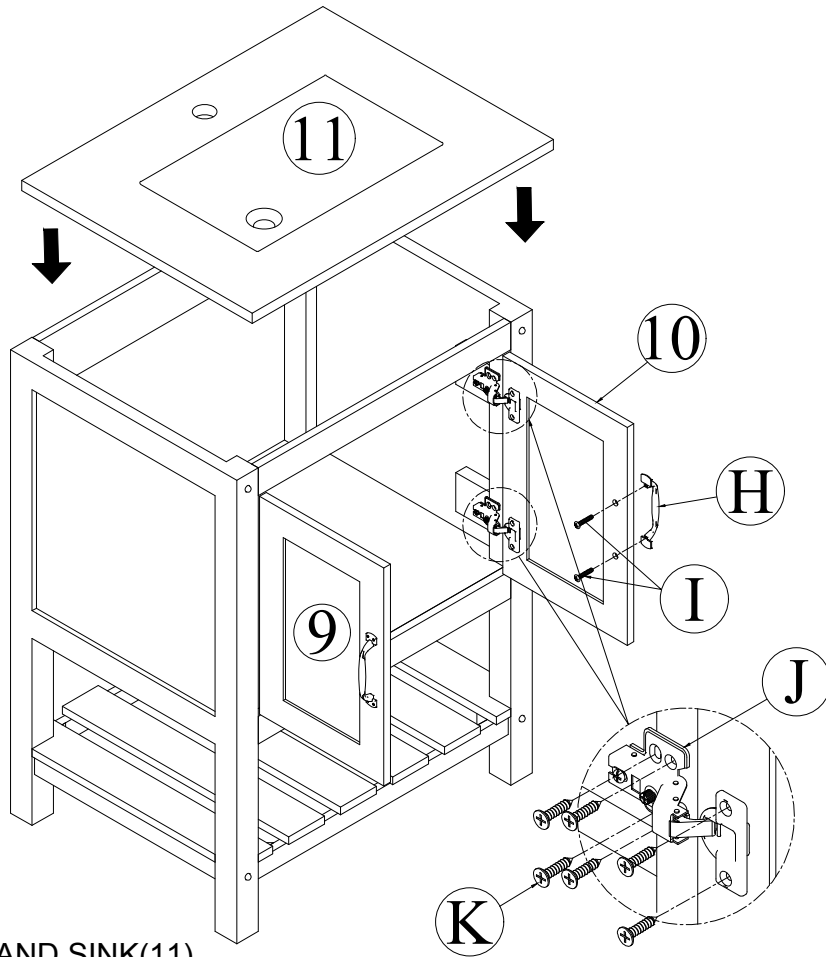
3).ASSEMBLE MAIN BODY

- ROTATE 14 CAM-BOLTS (A) INTO THE HOLES IN THE PANEL (1/2).
- PLACE THE PANEL (3/5/7) AND 8 DOWELS (C) INTO THE HOLES IN THE PANEL (1/2) AND ATTACH USING 14 CAM-LOCK (B).



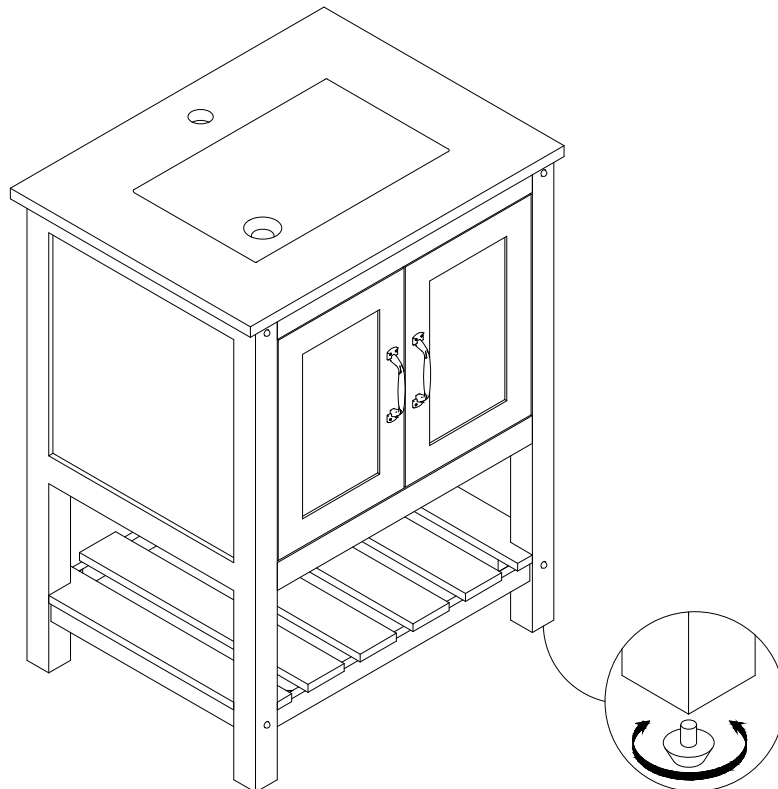
4).ASSEMBLE THE BOTTOM FRAME (8)

- PLACE THE BOTTOM FRAME (8) INTO THE MAIN BODY AND ATTACH USING 4 BOLTS (D,E,F)



5).ASSEMBLE DOOR(8/9) AND SINK(11)

- PLACE 4 HINGES (J) INTO THE PANEL (9/10) AND ATTACH USING 24 SCREWS (K)
- PLACE THE SINK (11) INTO THE MAIN BODY
- PLACE THE HANDLE (H) INTO THE HOLES IN THE PANEL (9/10) AND ATTACH USING 4 BOLTS (I)



6).TWIST THE ADJUSTTBLE FEET TO ENSURE THAT MAIN BODY IS LEVEL AN STEADY