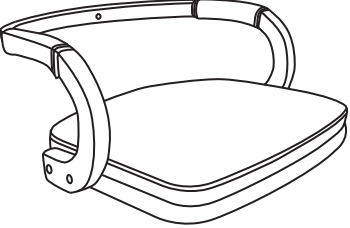
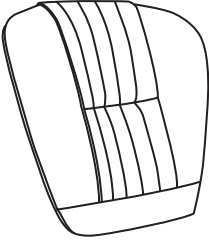
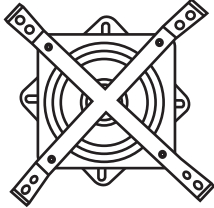
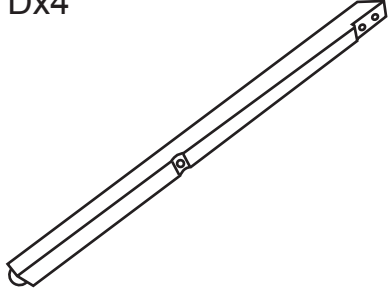
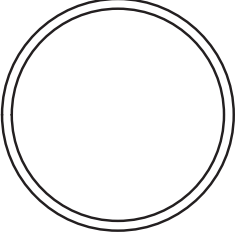


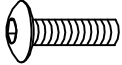
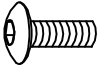



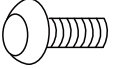
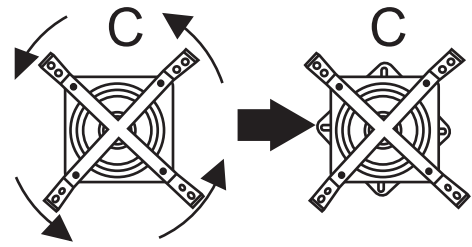
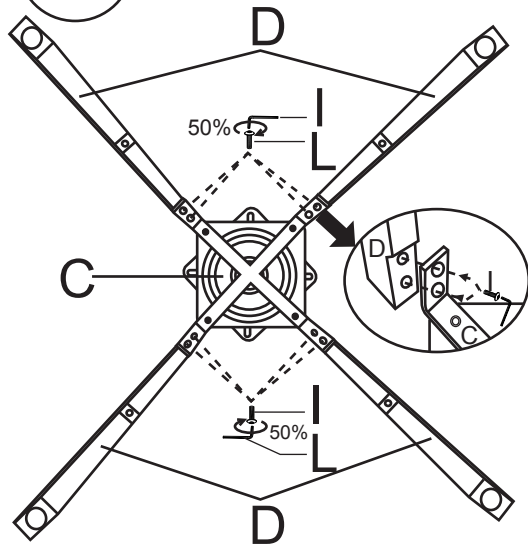


<p>Ax1</p> 	<p>Bx1</p> 	<p>Cx1</p> 	<p>Dx4</p> 	<p>Ex1</p> 			
<p>Fx1+1Ext</p>  <p>M6X45mm</p>	<p>Gx4+1Ext</p>  <p>M6X30mm</p>	<p>Hx2+1Ext</p>  <p>M6X25mm</p>	<p>Ix10+1Ext</p>  <p>M6X20mm</p>	<p>Jx2</p>  <p>Rubber Washer</p>	<p>KX1+4</p>  <p>PLASTIC CAP</p>	<p>LX1</p>  <p>M6</p>	<p>MX1</p>  <p>SPARE FOOT NAIL</p>

1

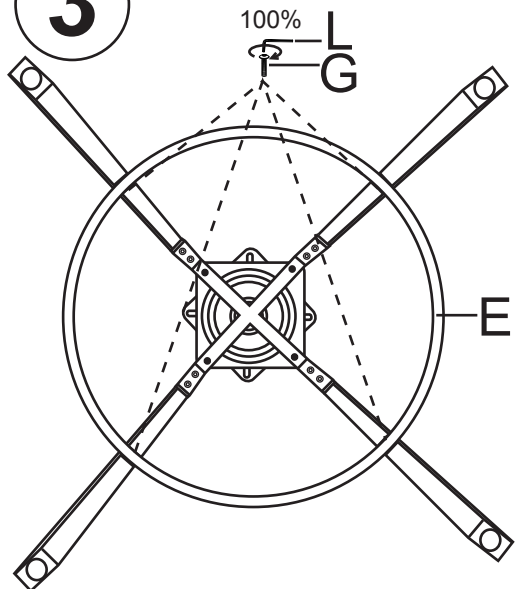


2



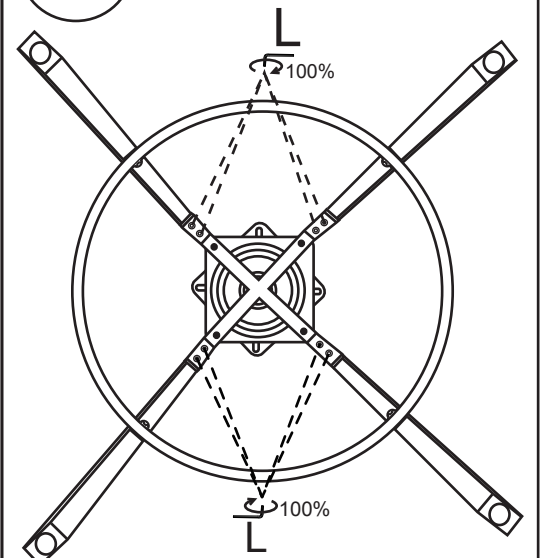
Note: DO NOT tighten the screws(I) in step 2

3



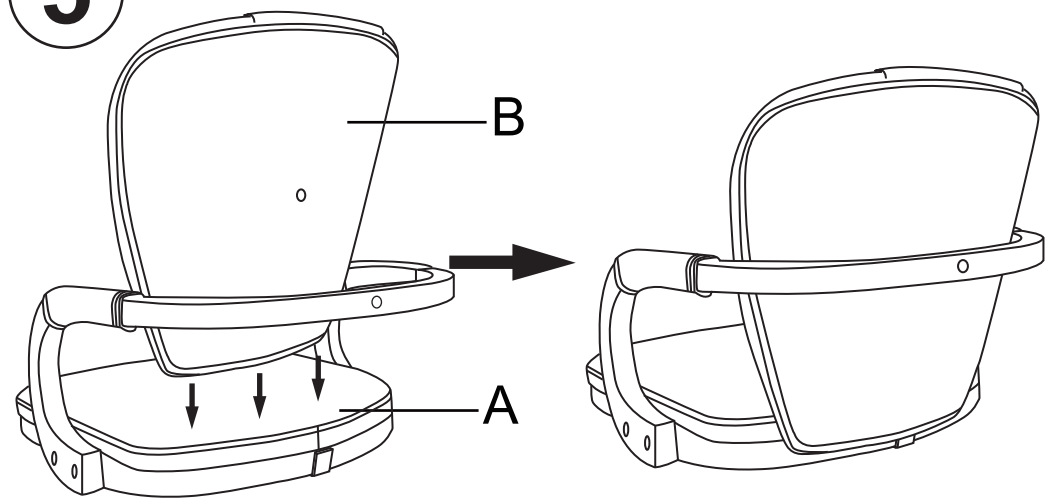
Note: Tighten the screws(G) in step 3

4

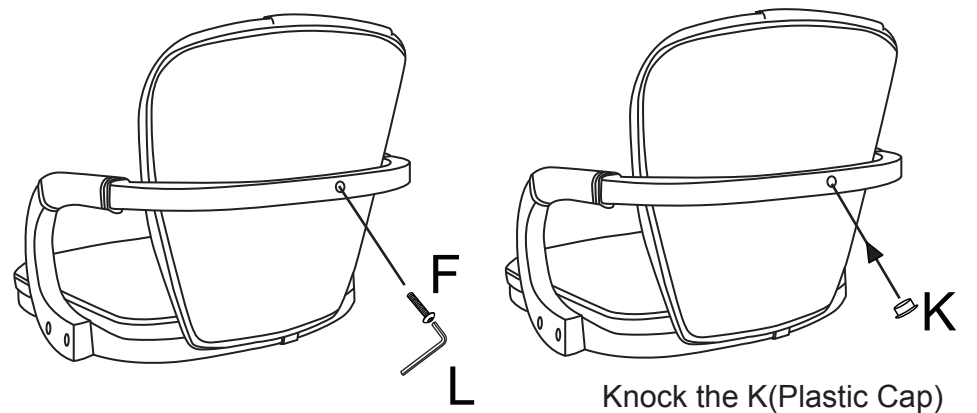


Note: Tighten the screws(L) in step 4

5

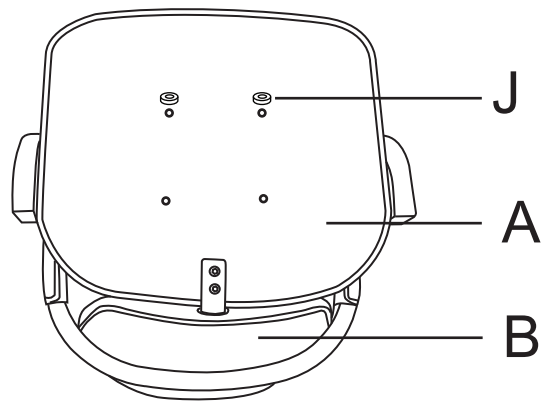


6

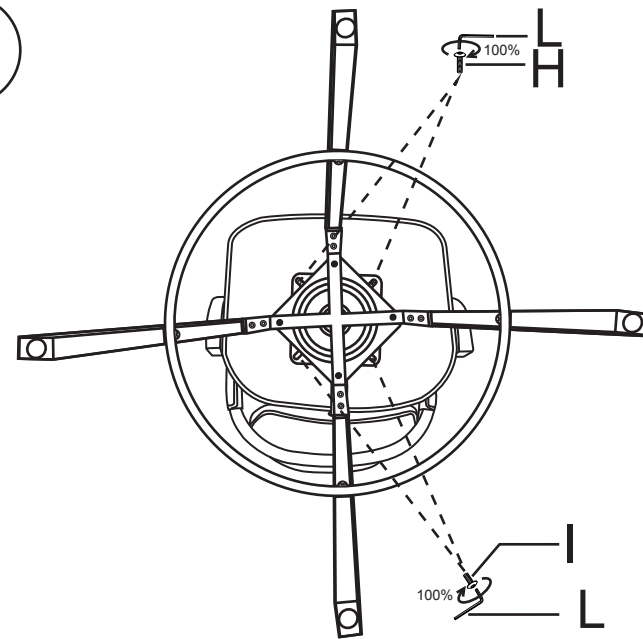


Knock the K(Plastic Cap) into the hole.

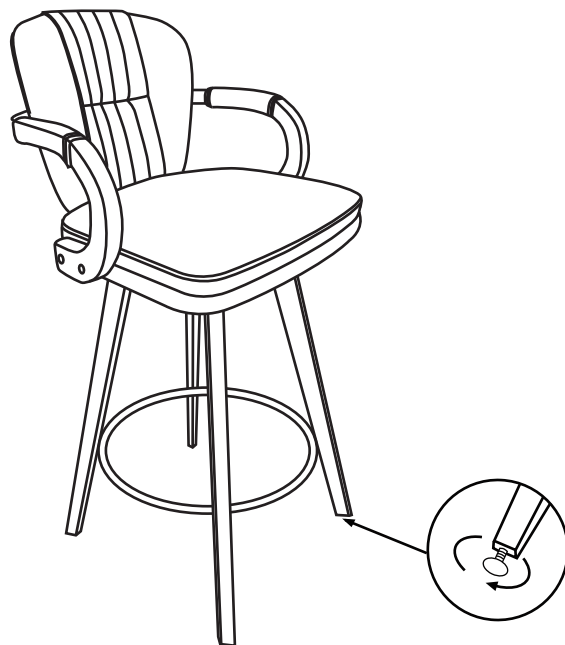
7



8



9



Note: adjust the foot nails to make the chair balance.