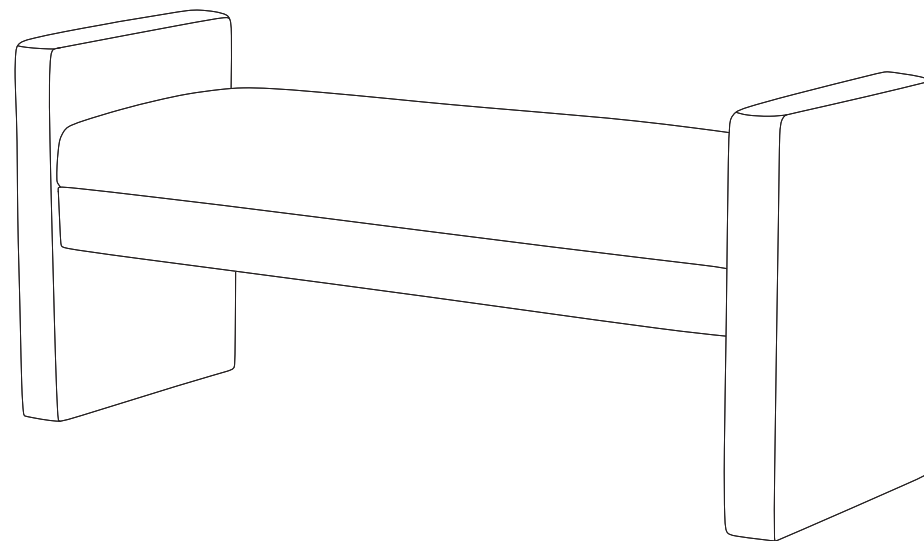


# Instruction Manual

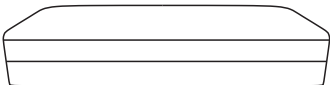
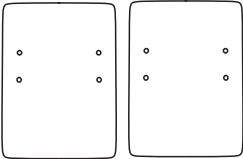




## User Guide

### Make life better

Warm tips: We are proud of high-quality products and satisfactory service, but the goods may encounter special circumstances during transportation, if you receive the goods with missing or damaged parts, please take photos and contact our customer service before returning the goods , we will customize a solution that satisfies you, thank you.



# Instruction

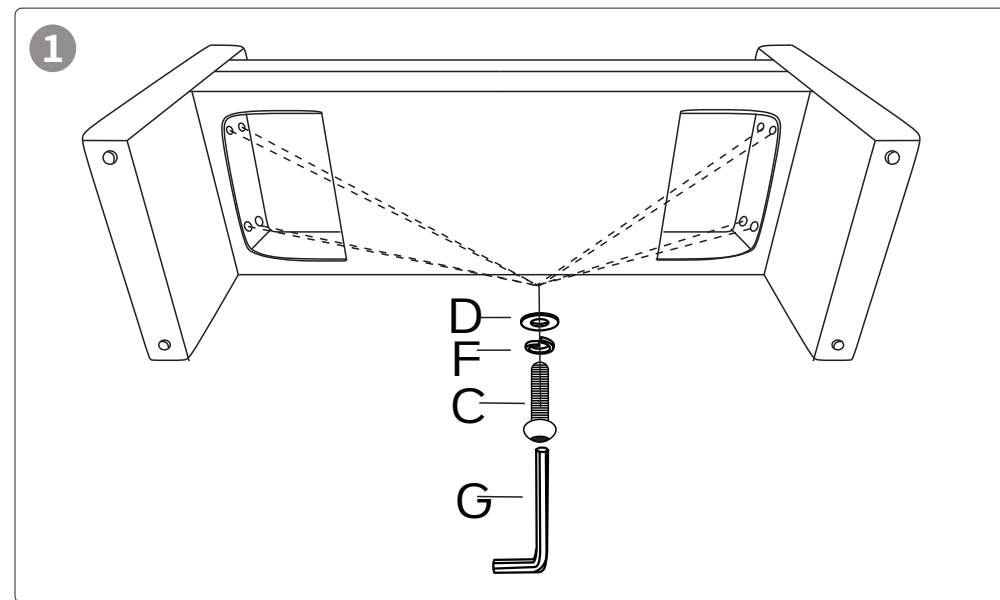
NO	DESCRIPTION		QTY
A	Seat Frame		1
B	Armrests		2
C	Screw	$\Phi$ 5/16"*2L 	8
D	Flat Washer	$\Phi$ 5/16"*22mm 	8
E	Lock Washer	$\Phi$ 5/16" 	8
F	Allen Wrench	$\Phi$ 5mm 	1

## Note:

1. During the assembly of the two components, if there are multiple screws that need to be installed, you can first align all the screws with the hole position and manually turn a few turns to fix the position, and then tighten them all with a wrench.

2. The Flat Washer and Lock Washer must be installed to prevent the screw from loosening and damaging the connection part.

# Installation Method



1 Pull open the zipper at the bottom of the seat frame, find the mounting holes, and mount the armrest B on the seat frame A as shown in the picture, and pay attention to all the screws to align with the holes first, and then lock them all.

