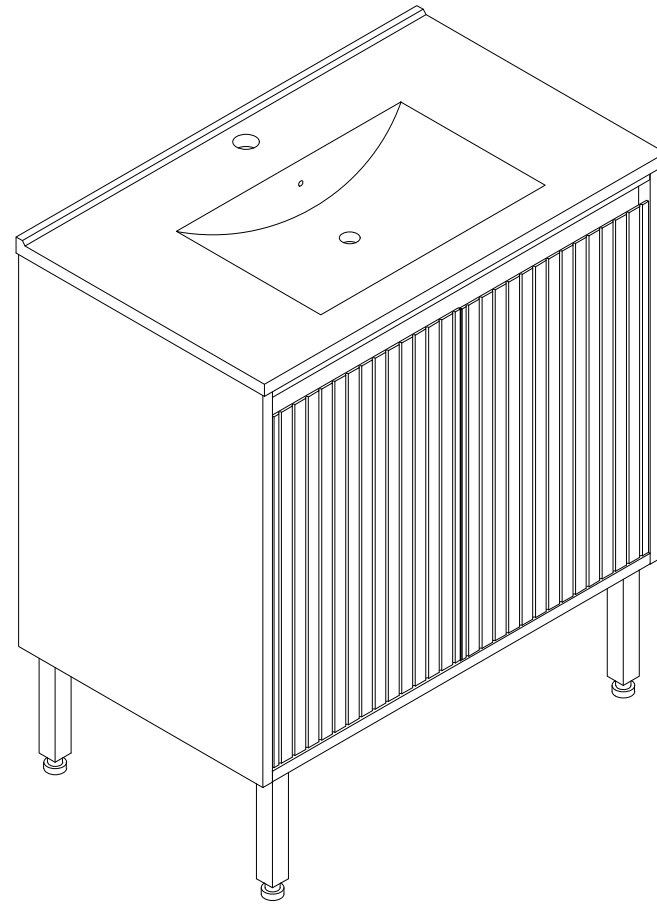
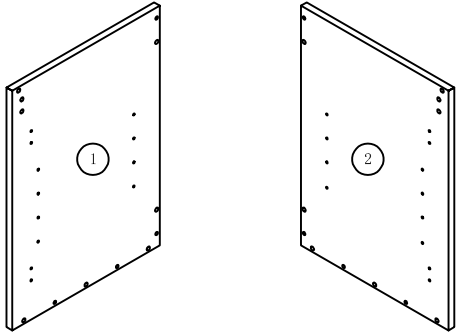


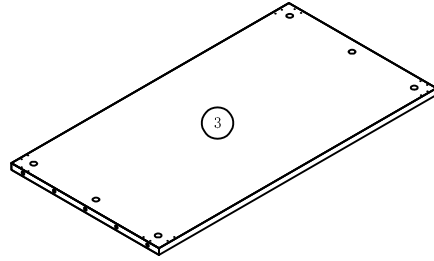
# INSTALLATION INSTRUCTIONS





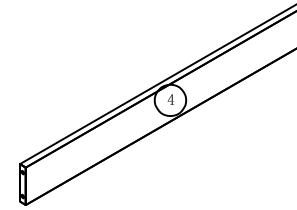
640\*457\*18mm

2pcs



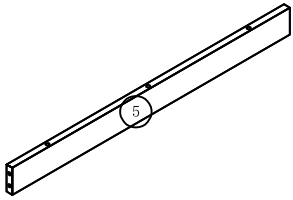
556\*457\*18mm  
706\*457\*18mm  
856\*457\*18mm

1pc



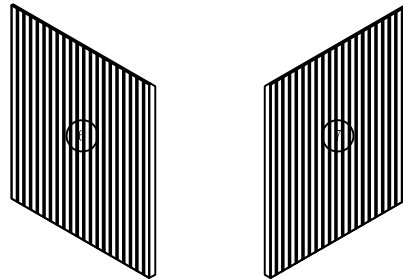
556\*100\*18mm  
706\*100\*18mm  
856\*100\*18mm

1pc



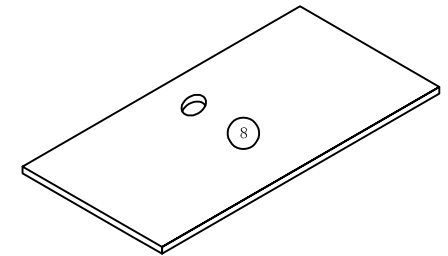
556\*72\*18mm  
706\*72\*18mm  
856\*72\*18mm

1pc



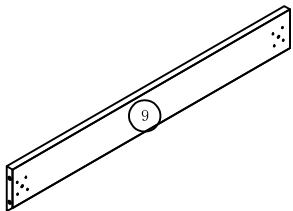
517\*274.5\*18mm  
517\*349.5\*18mm  
517\*424.5\*18mm

2pcs



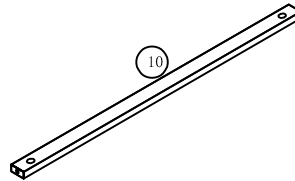
556\*432\*18mm  
706\*432\*18mm  
856\*432\*18mm

2pcs



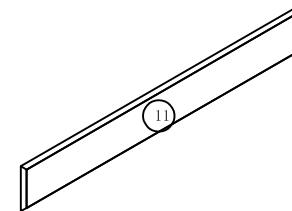
556\*120\*18mm  
706\*120\*18mm  
856\*120\*18mm

1pc



556\*38\*18mm  
706\*38\*18mm  
856\*38\*18mm

1pc

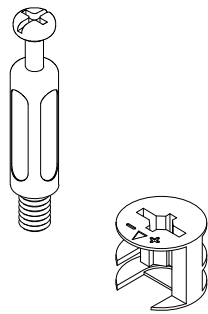


554\*120\*18mm  
704\*120\*18mm  
854\*120\*18mm

1pc

**A1** x 17

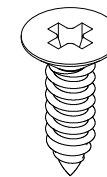
**A2** x 17



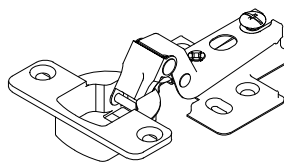
**B** x 10



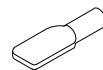
**C** x 56



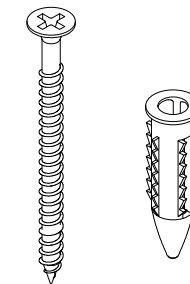
**D** x 4



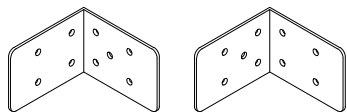
**E** x 4



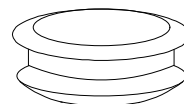
**F** x 7



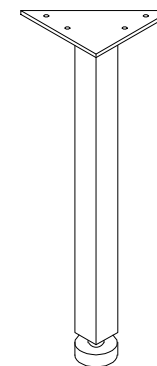
**G** x 2

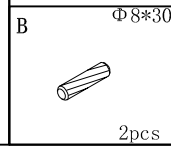
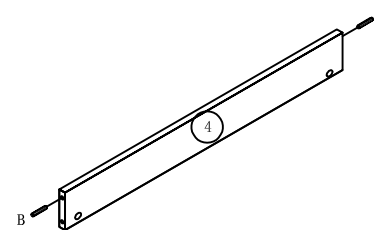
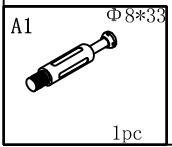
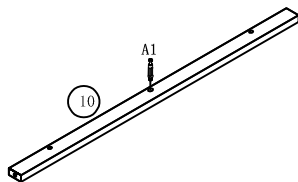
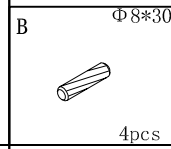
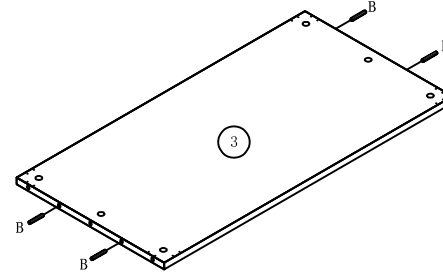
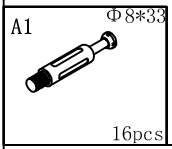
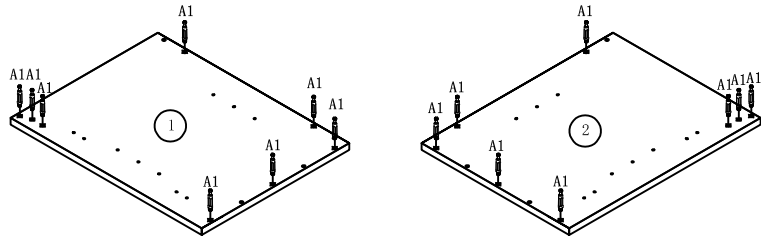


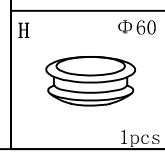
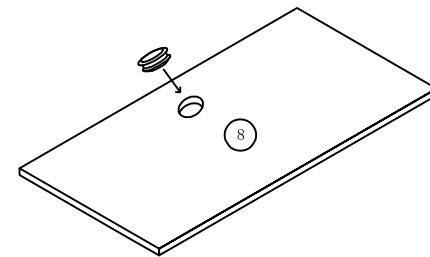
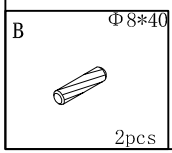
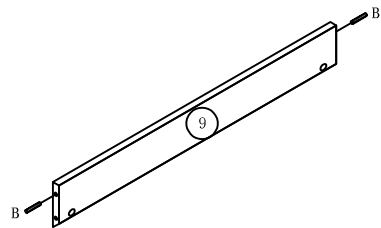
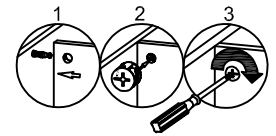
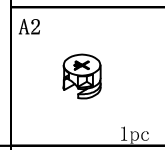
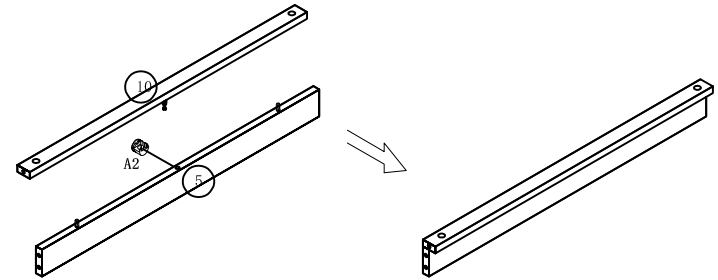
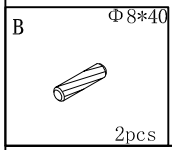
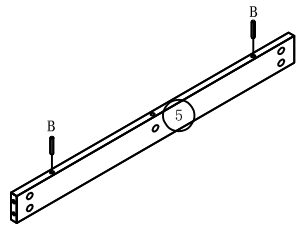
**H** x 1

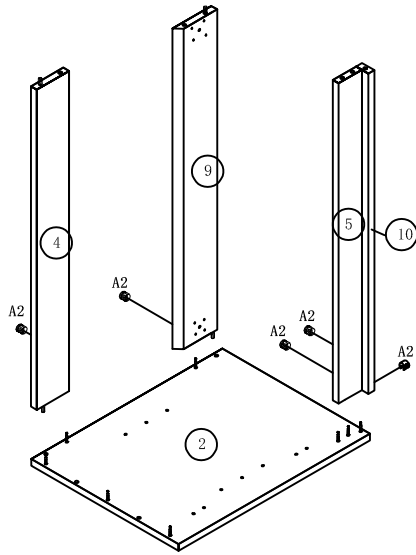



**I** x 4

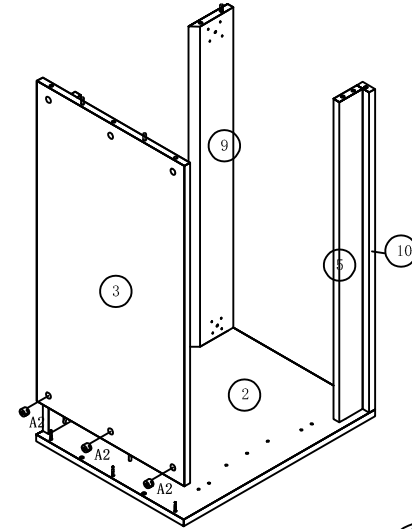
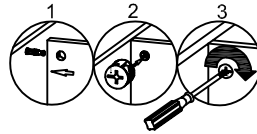





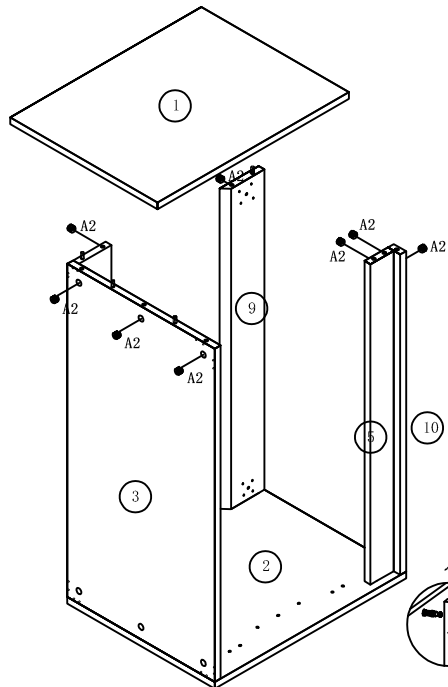
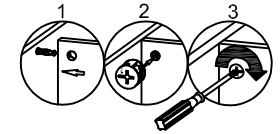





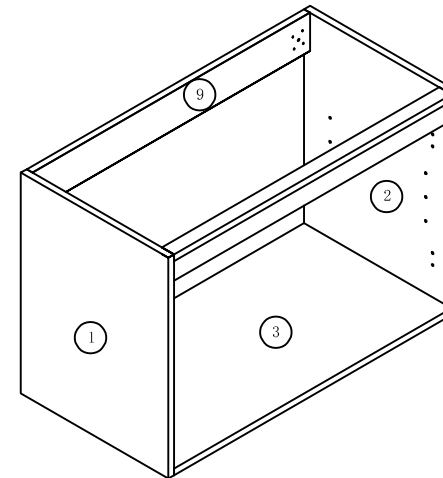
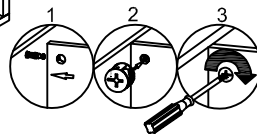
A2  
  
 5pcs



A2  
  
 3pcs



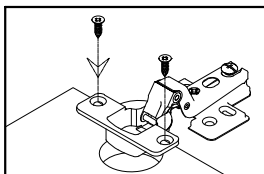
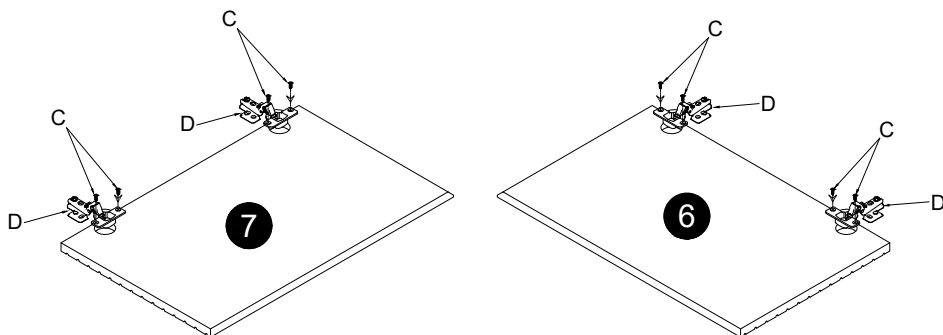
A2  
  
 8pcs



D x2



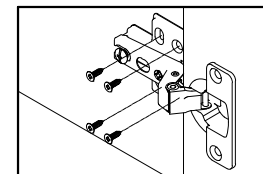
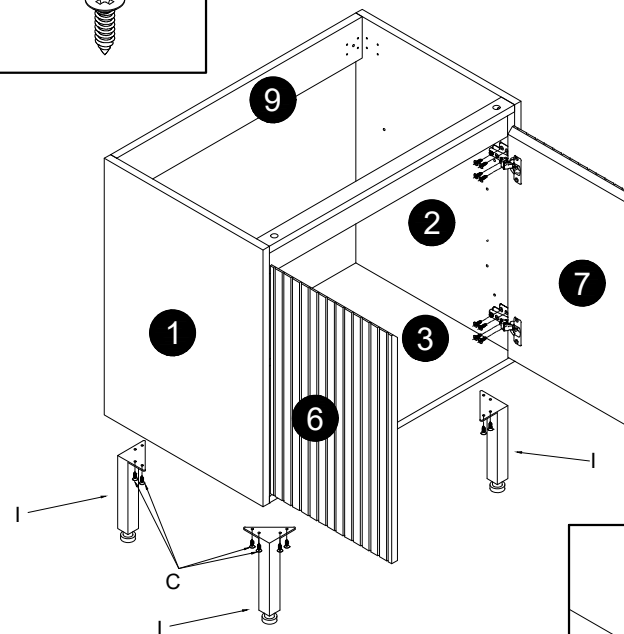
C x8



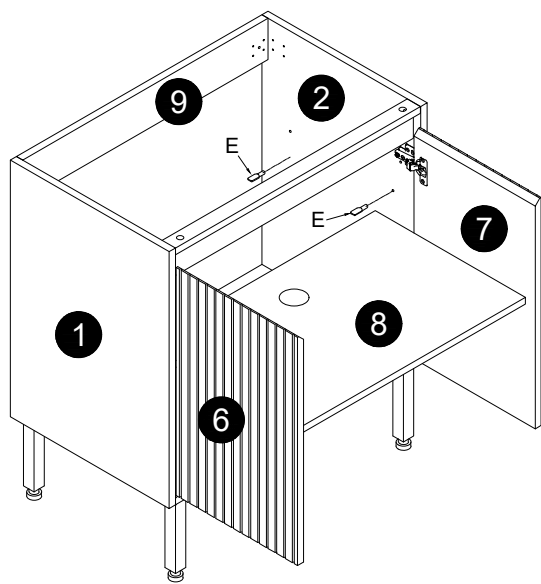
I x4



C x32



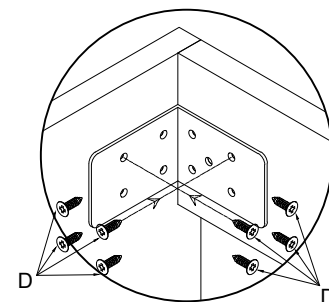
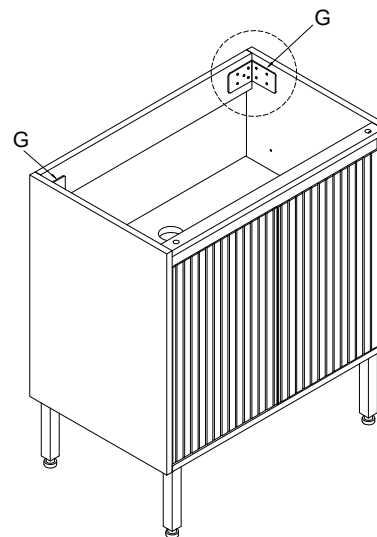
E x4

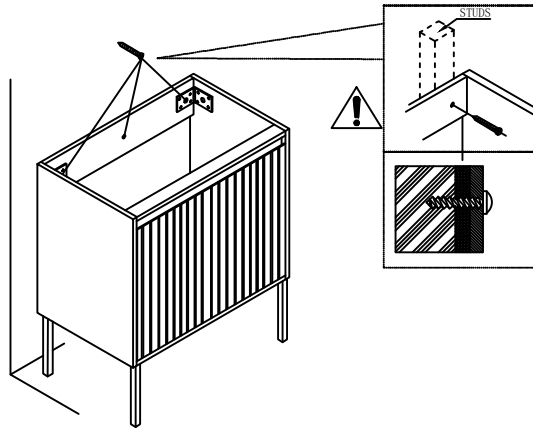


C x16

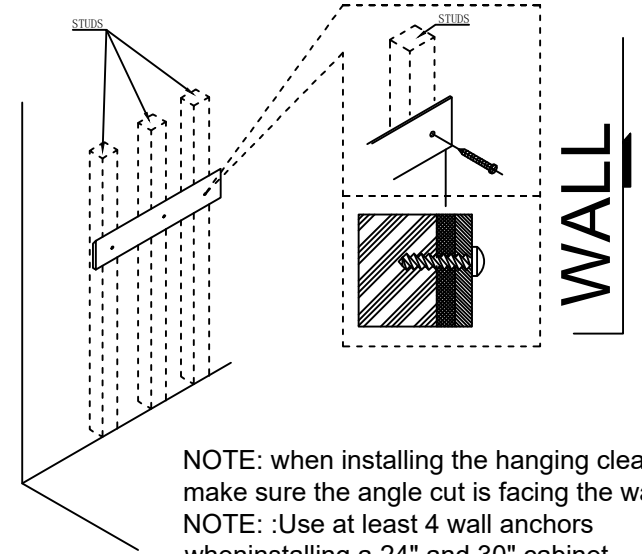
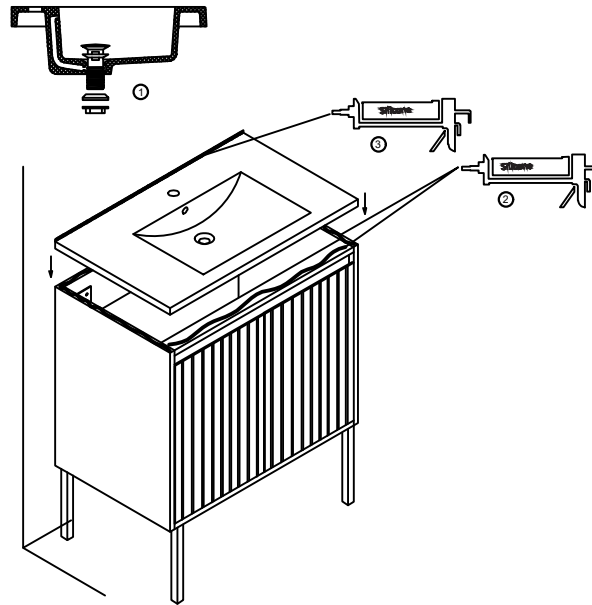


G x2

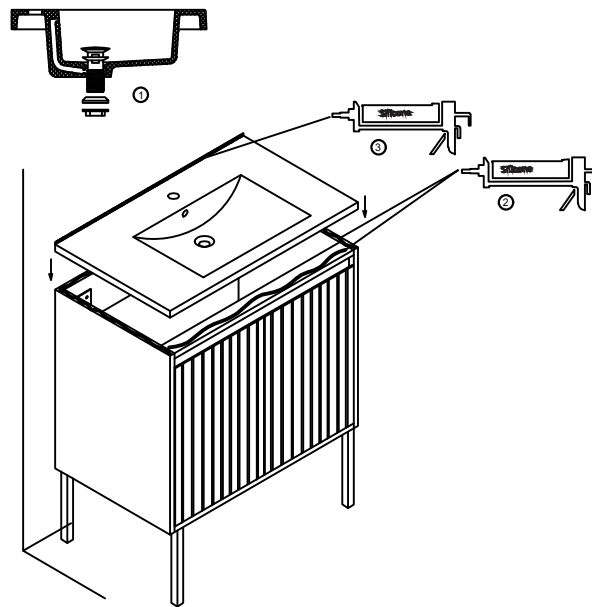
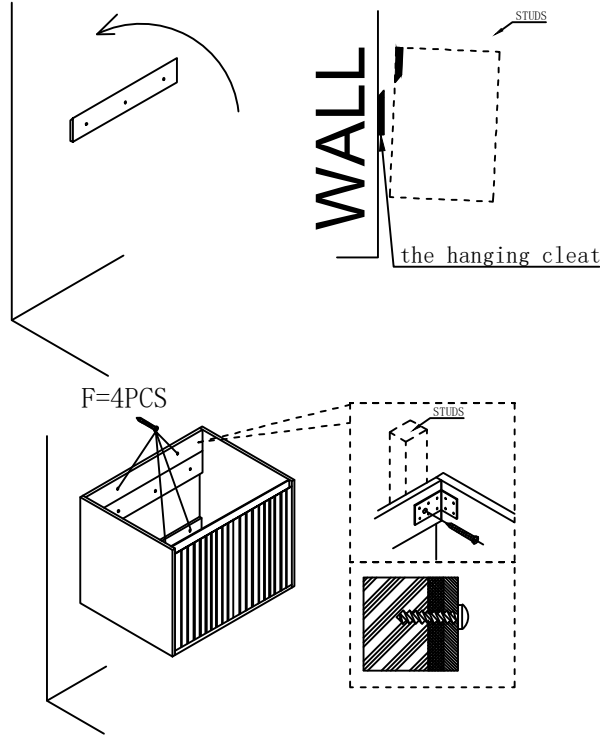




WARNING:  
INSTALLATION METHOD OF FLOATING VANITY HAS BIG RELATIO  
NWITH THE WALL STRUCTURE.



NOTE: when installing the hanging cleat,  
make sure the angle cut is facing the wall  
NOTE: :Use at least 4 wall anchors  
when installing a 24" and 30" cabinet.  
Use atleast 6 wall anchors when installing  
a 36"and 48" cabinet.



#### HINGE/DOOR ADJUSTMENT (IF APPLICABLE)

