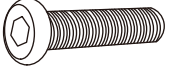
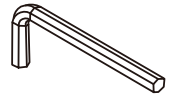



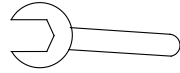
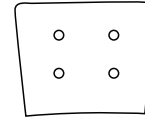


ASSEMBLE INSTRUCTION

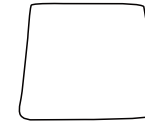
F x 8pcs  M6x 40mm	G x 1pcs 	H x 2pcs  M8
I x 2pcs  M8 x 70mm	J x 2pcs  M8	K x 1pcs 

A x 1pc



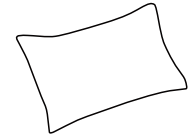
BACK

B x 1pc



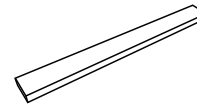
SEAT

C x 1pc



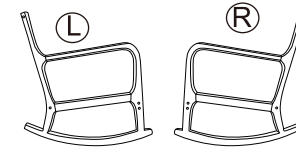
PILLOW

D x 1pcs



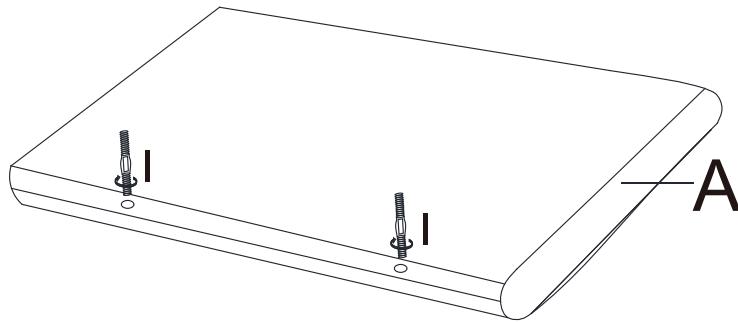
RUNG

E x 2pcs

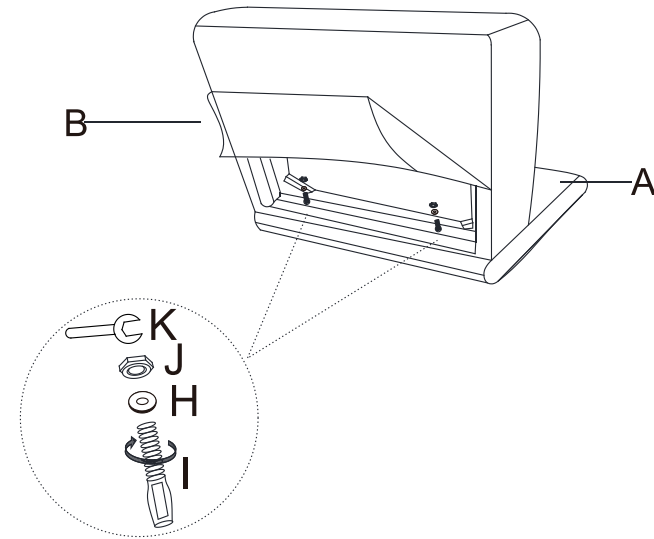


SIDE

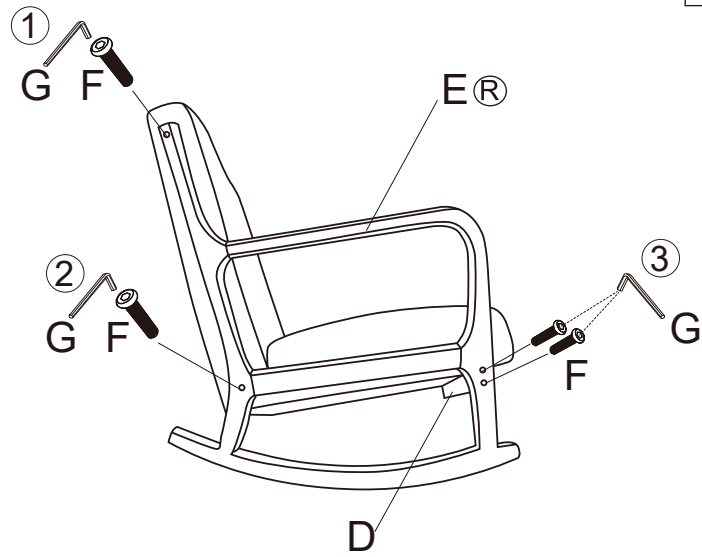
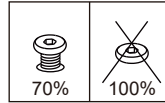
STEP 1:



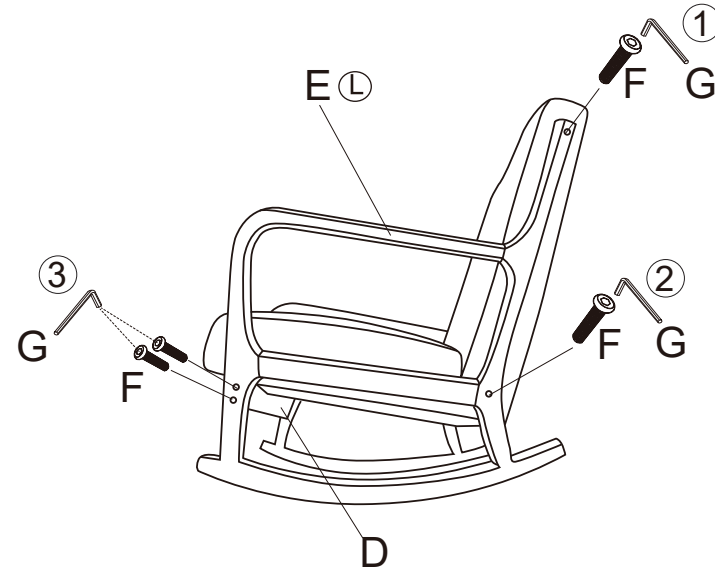
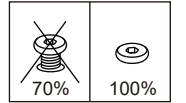
STEP 2:



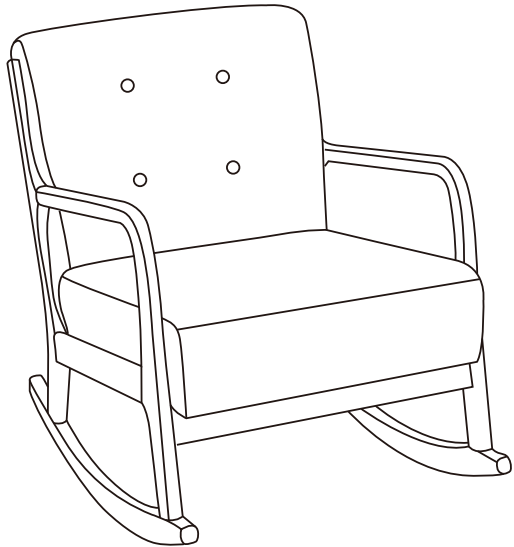
STEP 3:



STEP 4:



STEP 5:



STEP 6:

