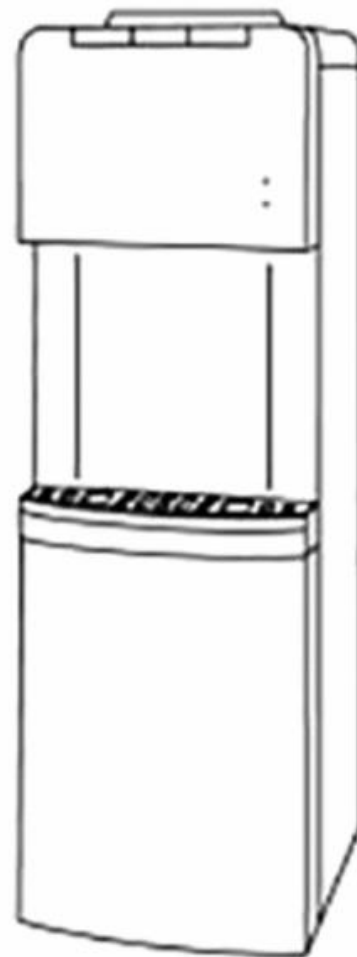


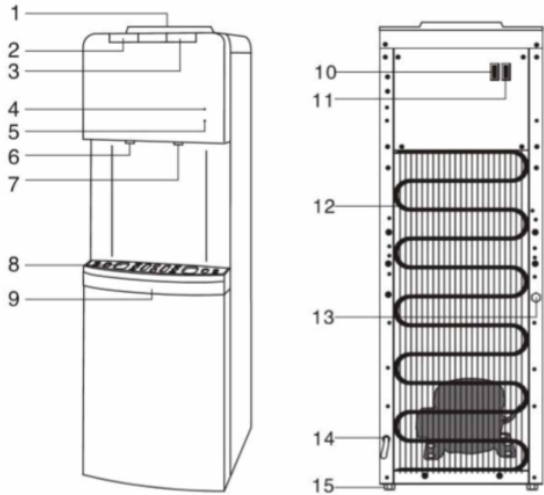
Hot and Cold Floor Water Dispenser

INSTRUCTION MANUAL

MODEL:LM-YL1-1119B

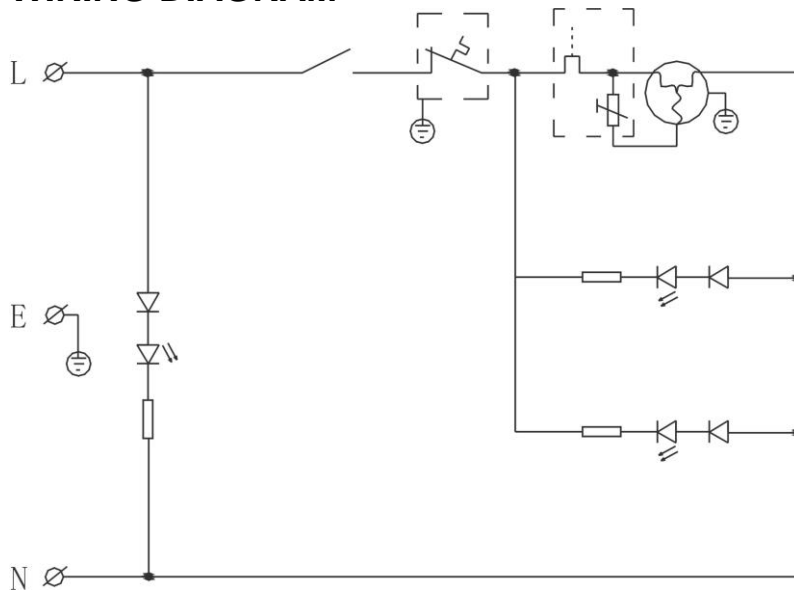
BEFORE USE, PLEASE READ AND FOLLOW ALL SAFETY RULES
AND OPERATING INSTRUCTIONS.





1	Water Bottle Inlet
2	Hot Water Button
3	Cold Water Button
4	Heating Indicator
5	Cooling Indicator
6	Hot Water Faucet
7	Cold Water Faucet
8	Water Drip Tray Cover
9	Water Drip Tray
10	Cooling Switch
11	Heating Switch
12	Condenser
13	Drain Valve
14	Power Supply Cord
15	Feet

WIRING DIAGRAM



Important Safety Instructions

WARNING	To reduce the risk of fire, electrical shock or injury when using your appliance, please follow these basic instructions.
<ul style="list-style-type: none">● Read all instructions before using the water dispenser.● Never clean parts with flammable fluids. The fumes can create a fire hazard or explosion.● Do not store or use gasoline or any other flammable vapors and liquids in the vicinity of this or any other water dispenser. The fumes can create a fire hazard of explosion.	

INSTALLATION GUIDELINES

- Remove the exterior and interior packing.
- Place your appliance on a floor that is strong enough to support the dispenser when it is fully loaded. The unit is provided with four plastic feet. If it does not sit level on the floor, adjust the front feet to level the unit well to the floor.
- Locate the appliance away from direct sunlight and sources of heat (stove, heater, radiator, etc.). Direct sunlight may affect the acrylic coating and heat sources may increase electrical consumption. Extreme cold ambient temperatures may also cause the appliance not to perform properly.
- Allow 2 inches of space between the water dispenser and the wall, which allows for proper air circulation to cool the compressor.
- Plug the appliance into an exclusive properly installed-grounded wall outlet. Do not cut or remove the third (ground) prong from the power cord under any circumstances. Any questions concerning power and/or grounding should be directed toward a certified electrician or an authorized products service center.
- This water dispenser is not recommended for outdoor usage.
- Do not locate the dispenser in the area where the temperature may fall below freezing point (0°C or 32°F).
- Keep area around dispenser free of dust and dirt.
- Keep the reserve supply of water bottles away from excessive heat and light.

⇒ **Very important! ! Be sure to read this section before using the**

machine!

PRE-OPERATION INSTRUCTIONS

- **Before connecting the appliance to the power source. Let it stand upright for approximately 2 hours. This will reduce the possibility of a malfunction in the cooling system from handling during transportation.**
- **The water dispenser is pre-cleaned at the factory but the reservoir and water lines must be flushed with fresh water before use as follows:**
 - **Keep the unit unplugged.**
 - **Fill water tank with tap water full to capacity. Wait for 5 minutes until water settles.**
 - **Plug the dispenser into the electrical outlet. We are ready to complete the first cycle. In order to do that, wait for the cold water to reach temperature in other 50 minutes approximately.**
 - **Unplug the dispenser from the electrical outlet. Proceed to drain the water from the faucets one at a time until no more water remains. (Note: To facilitate this operation, use a large container).**
 - **Then, drain any water left in the tanks by opening both water faucets until it drains completely.**
 - **Put the bottled purified or other dean water on the top cover one minute.**
 - **Push water faucet buttons to insure water flows from both faucets.**
 - **Plug dispenser again into the electrical outlet.**
 - **Now you are ready to use your water dispenser.**

NOTE: Your water dispenser has been cleaned and sanitized before leaving the factory, but in case a taste problem develops, place one tablespoon of baking soda and add tap water. Fill water tank again and repeat basic operations previously outlined.

OPERATION

- Ambient temperature: 10 ~ 38°C
- Atmosphere 86 ~ 106kpa
- When using the bottles holding ultra-pure water, distilled water or space water with the so-called clever lid, tear off the hygienic label on the lid, place the bottles at the intake, then the core of water guard will automatically open the valve and seal it in the meantime, when moving the bottles, the valve will also seal automatically to avoid any possible oozing.
- Do not connect the electrical power plug, until water comes out of the water faucet.
- Turn on the cooling switch, the green LED indicator will be on and the cooling system starts working. When the cold water falls down to 6-10°C, the green light goes off, the cooling system stops working. The machine turns to the cold-keeping status. When the cold water temperature goes up to a set degree, the cooling system will resume working automatically.
- Since the temperature has already been adjusted before leaving the factory, it is unnecessary for customers to set the temperature.
- Temp and cold water cooler: the green indicator lights on and the cooling system starts working, the green indicator lights off, the cooling system ends working.
- If the device is not applied for a long time, please remove the power plug and press the cold water faucet to drain the rest water in the cold tank.
- If there is no water flowing from cooling faucet, please shut down the cooling switch until there is water flowing out.

TAKING DISPENSER OUT OR SERVICE

- If the water dispenser will not be used for a long period of time, unplug the power supply cord.
- Drain the water through the faucets.

CAUTION

- Do not use the bottle with any crack, leakage or holes.
- The back of the product should be put in shady places and kept away from wall and high-temperature elements. Please also put the product away from TV, video, or other valuables.
- During operation keep it beyond the children to avoid scald.
- When carrying it, the angle of inclination should be less than 45°.
- Adopt the ground wire to avoid any electric shock.
- In the process of using, check the water receptacle frequently. If the water receptacle is full, please pour the water out in time.
- Do not turn on and off the “cooling” switch in three minutes to protect the compressor and extend the compressor usage life.
- This appliance is not intended for use by persons (including children) with reduced physical, sensory or mental capabilities, or lack of experience and knowledge, unless they have been given supervision or instruction concerning use of the appliance by a person responsible for their safety.
- Children should be supervised to ensure that they do not play with the appliance.
- House hold used only.
- If the supply cord is damaged, it must be replaced by the manufacturer, its service agent or similarly qualified persons in order to avoid a hazard.
- WARNING---- Do not damage the refrigerant circuit.
- WARNING---Do not use electrical appliances inside the food storage compartments of appliance, unless they are of the type recommended by the manufacturer.
-

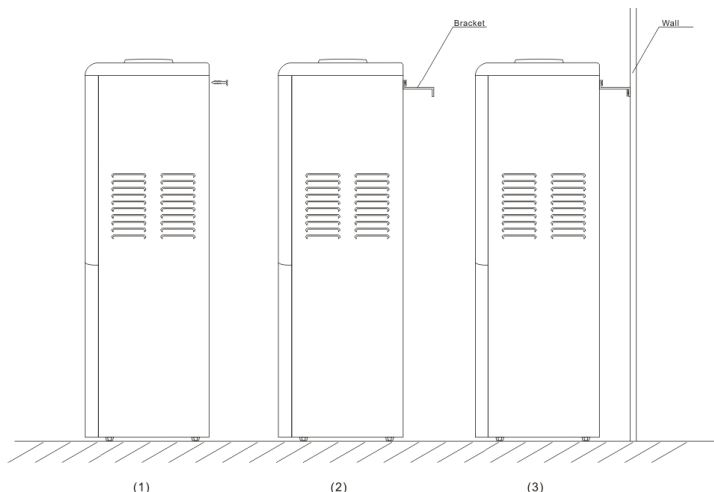
MAINTENANCE

- Remove power plug or disconnect from the mains before performing any maintenance or servicing the product.
- Never use detergent or chemicals harmful to health to clean the water tanks.
- Do not directly spray water on the surface of the product.
- Wipe the front and back of the product with water-soaked soft cloth.
- If dust or other exterior substance has accumulated on the condenser, wipe off with water-soaked soft cloth.
- After cleaning the product, completely dry it.

TROUBLESHOOTING GUIDE

You can solve many common water dispenser problems easily, saving you the cost of a possible service call. Try the suggestions outlined below to see if you can solve them before calling the service center.

Problem	Possible Reason
Water dispenser does not operate.	Not plugged in.
Water dispenser is not cold enough.	Check to be sure the cold switch on the back is turned on. The water dispenser does not have enough backside space.
Compressor turns on and off frequently.	The room temperature is too hot. The water dispenser does not have enough backside space.
Vibration	Check to assure that the water cooler is placed level.
Water dispenser makes too much noise.	As each cycle ends, you may hear gurgling sound caused by the flow of refrigerant, which is normal. Contraction and expansion of the inside walls may cause popping and cracking noises. The water dispenser is not placed level.



In order to ensure the water dispenser with enough stability, users should follow below instructions to fix the unit:

1. Remove one of the body rear's screw(upper right corner or upper left corner)(Picture 1)

2. Install a bracket where you have removed the screw already, fix the bracket tightening the removed screw on the right location(Picture 2)
3. Fix the bracket on the wall side or similar object(if the wall side is too rigidity), you can make a hole by electric drill, then using expanded screw tightening the bracket(Picture 3)