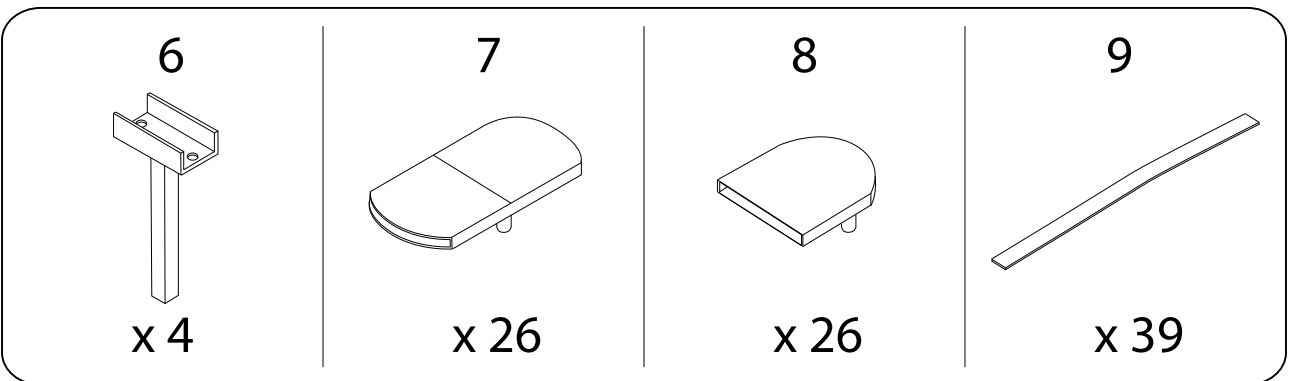
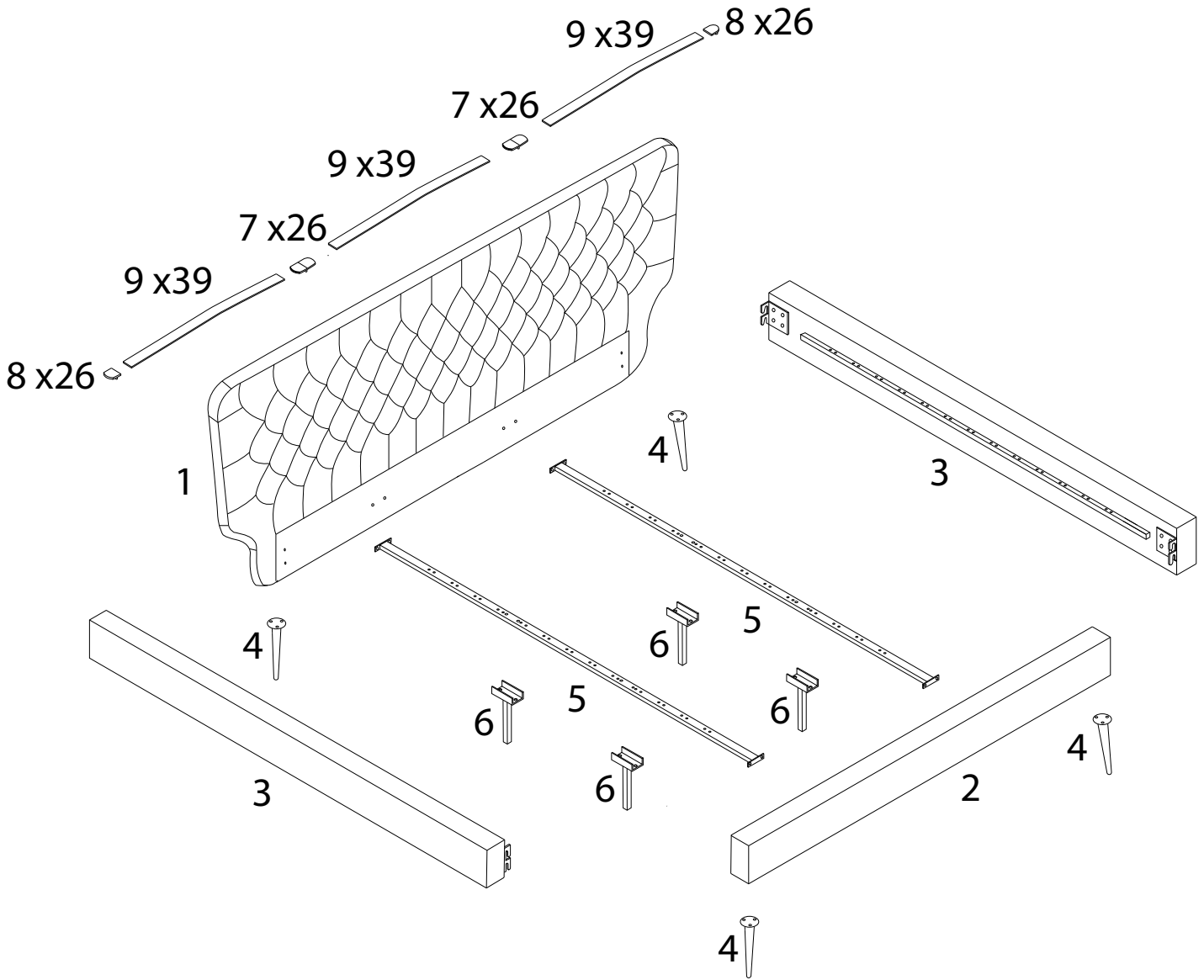
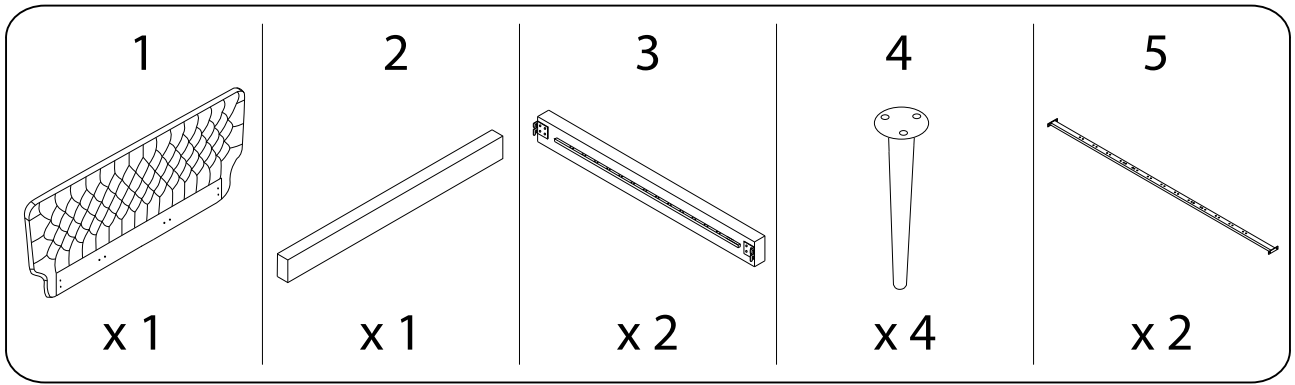
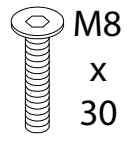

		2

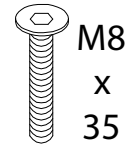


A



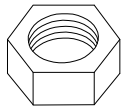
x 28

B



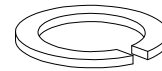
x 8

C



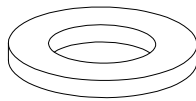
x 8

D



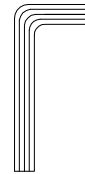
x 8

E



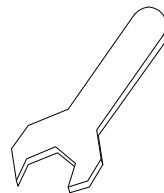
x 16

F



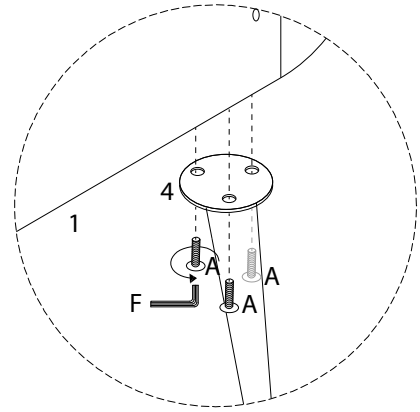
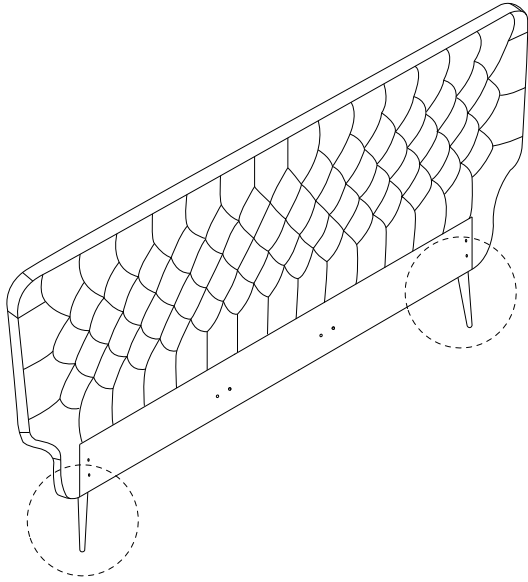
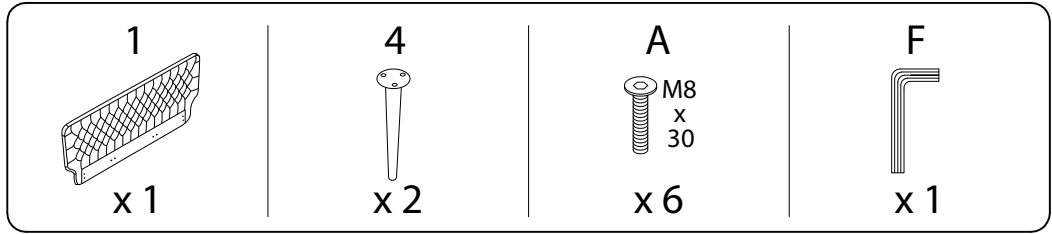
x 1

G

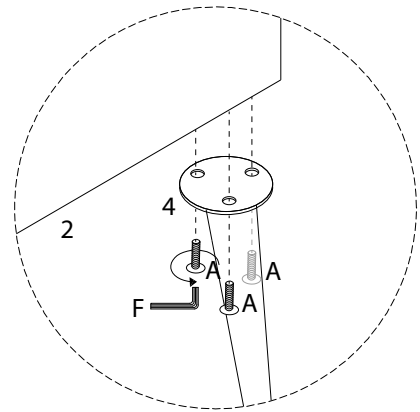
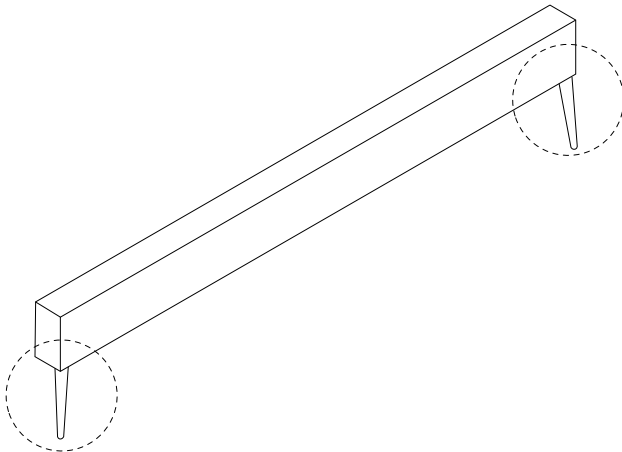
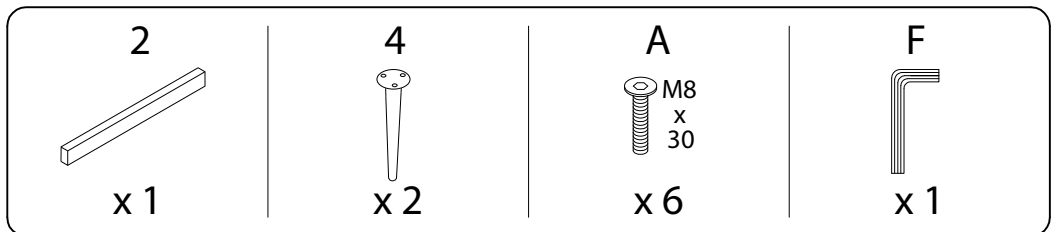


x 1

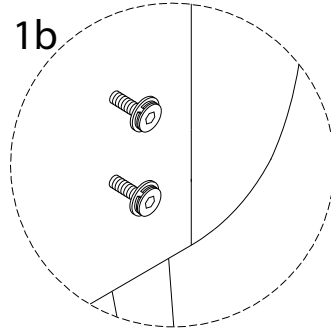
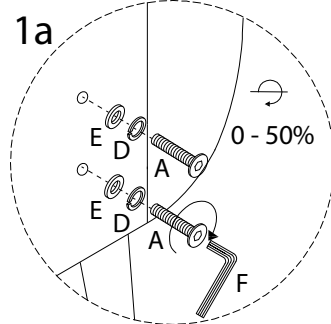
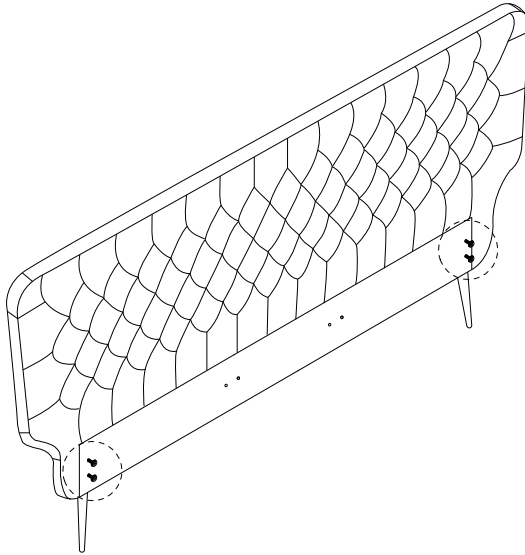
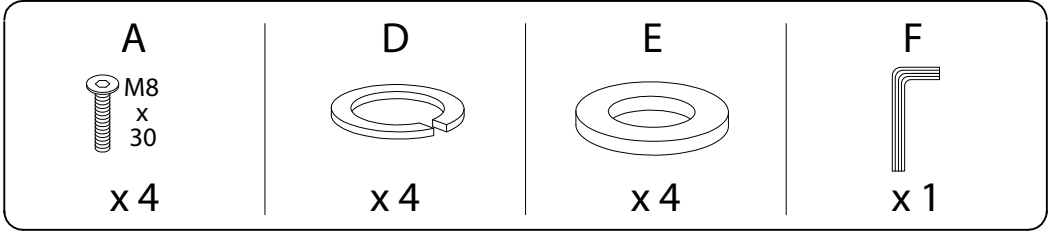
1



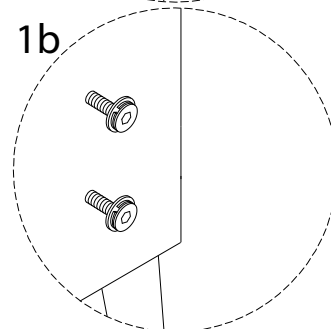
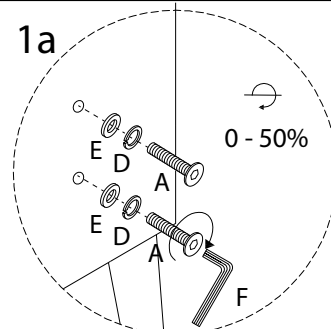
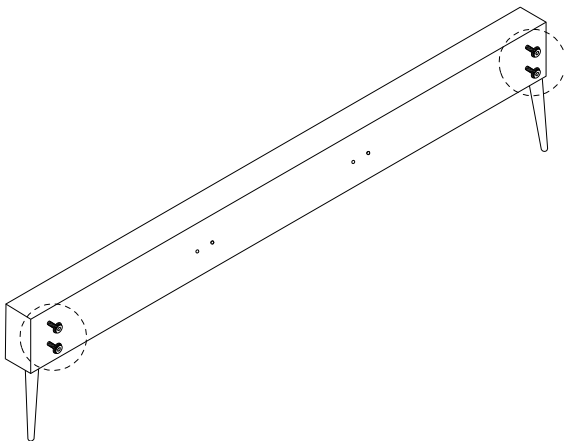
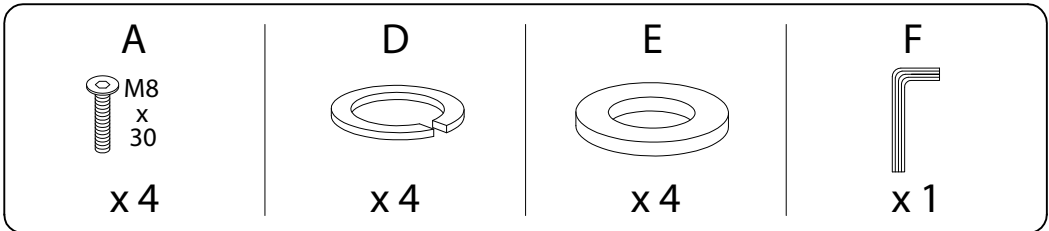
2



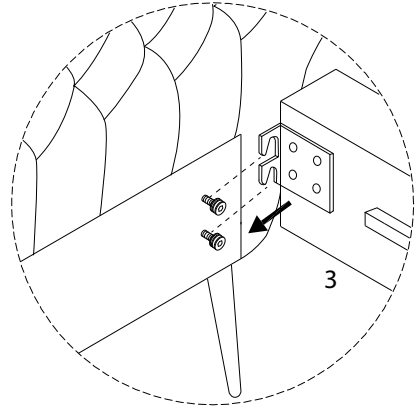
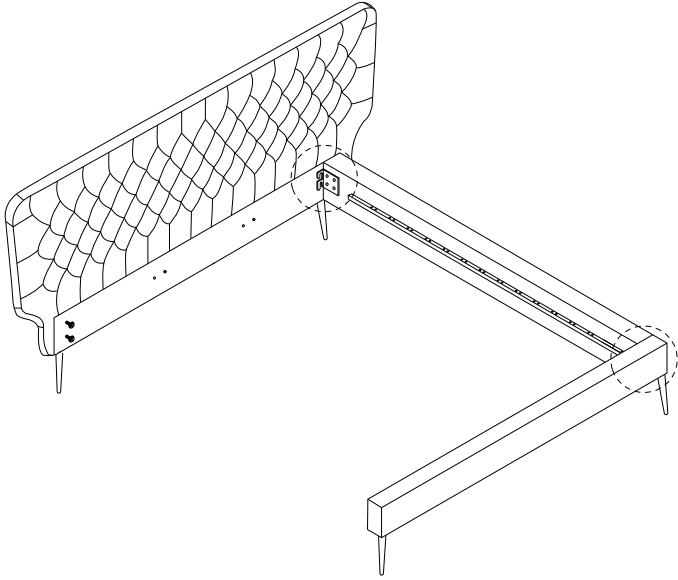
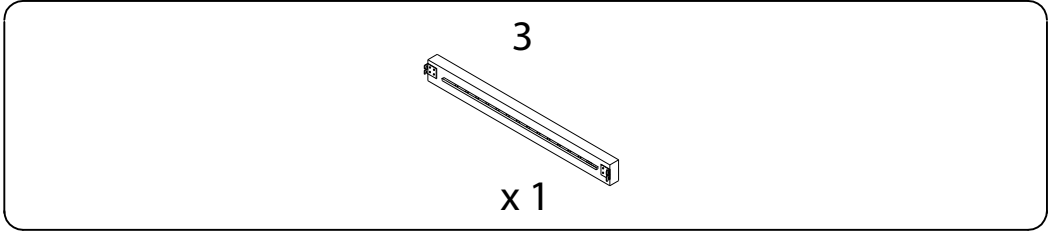
3



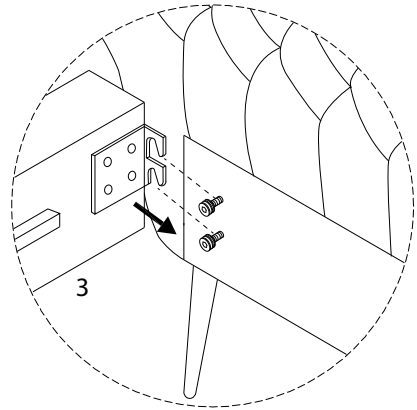
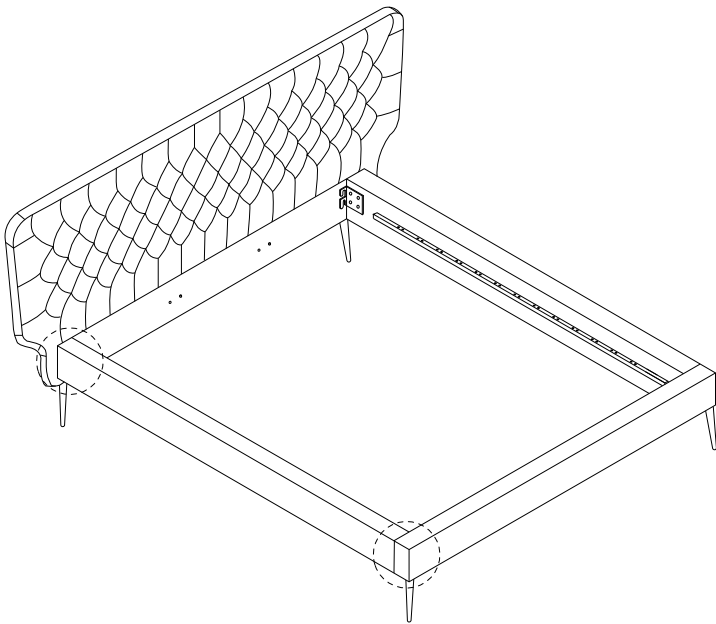
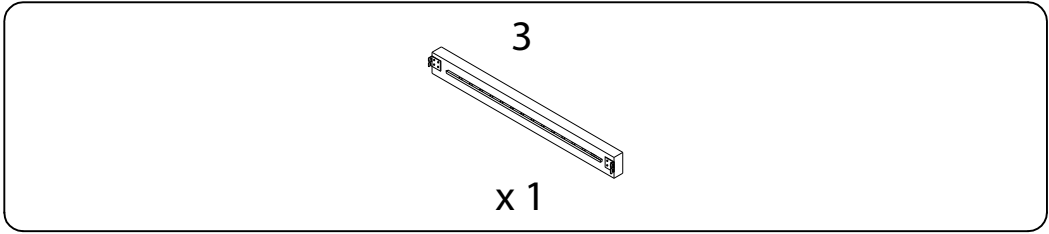
4




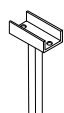
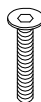
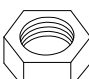



5

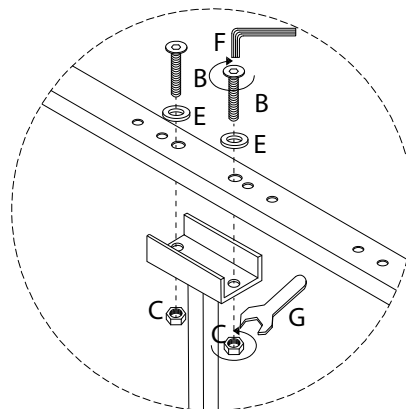
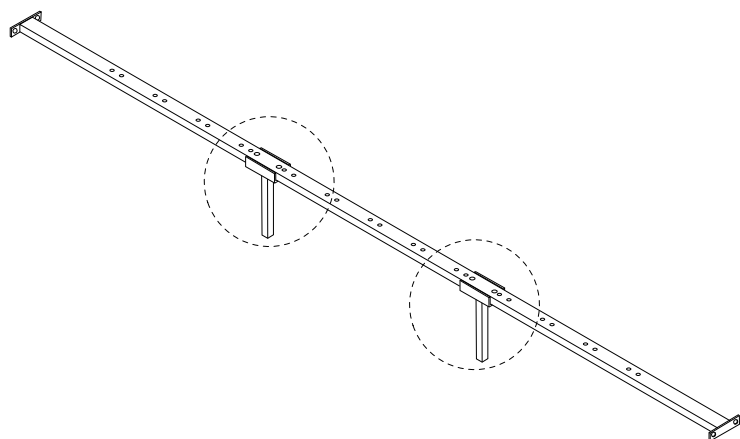


6


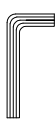


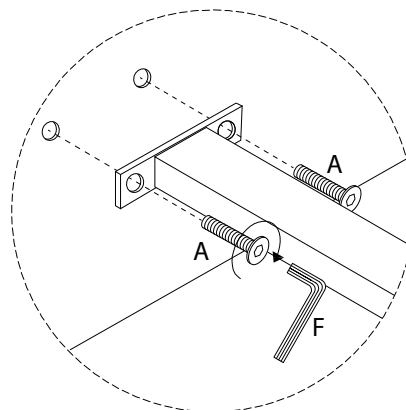
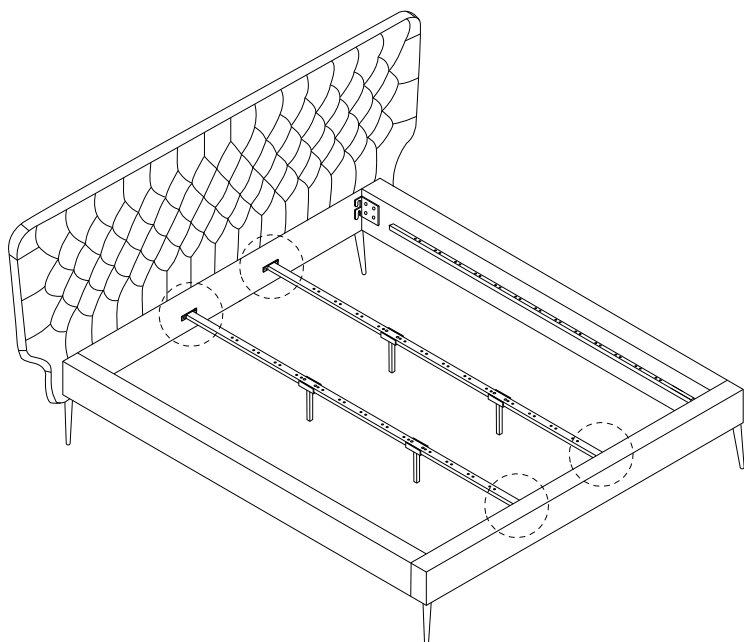
7 x2

5  x1	6  x2	B M8 x 35  x4	C  x4	E  x4	F  x1	G  x1
---	---	--	---	--	---	---



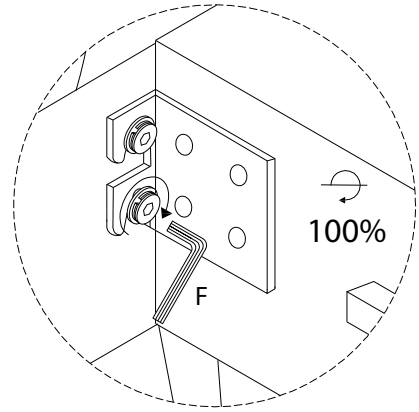
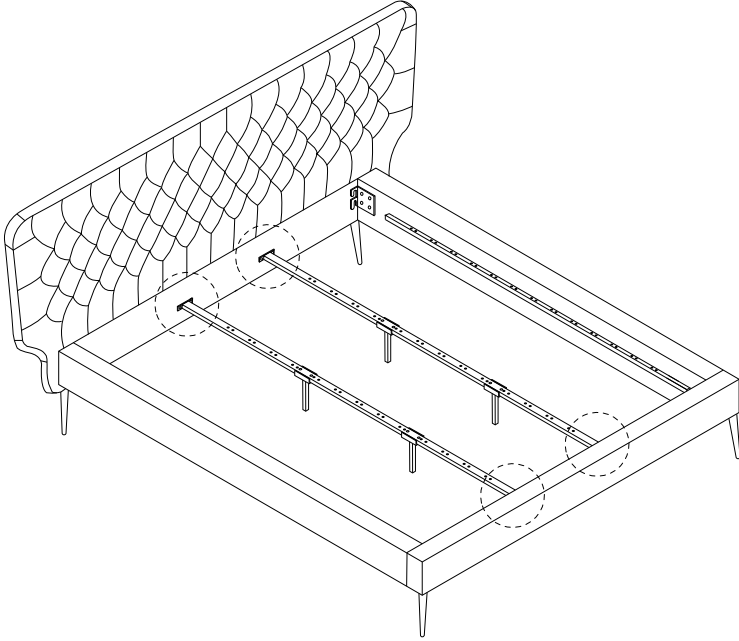
8

A M8 x 30  x4	F  x1
--	---



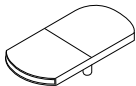
9

F
x1



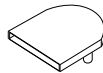
10 x13

7



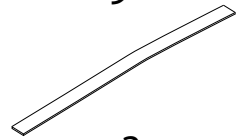
x2

8

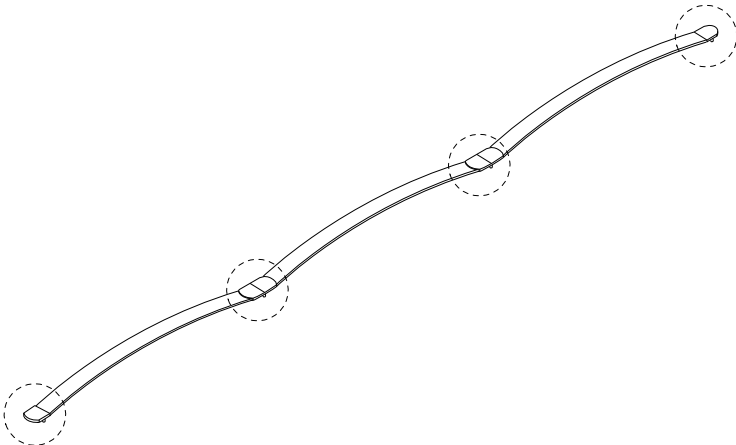


x2

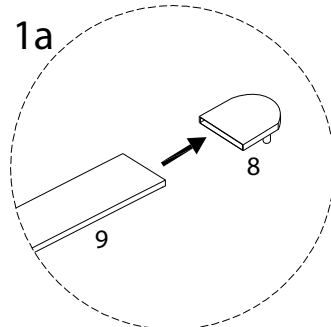
9



x3



1a



1b

