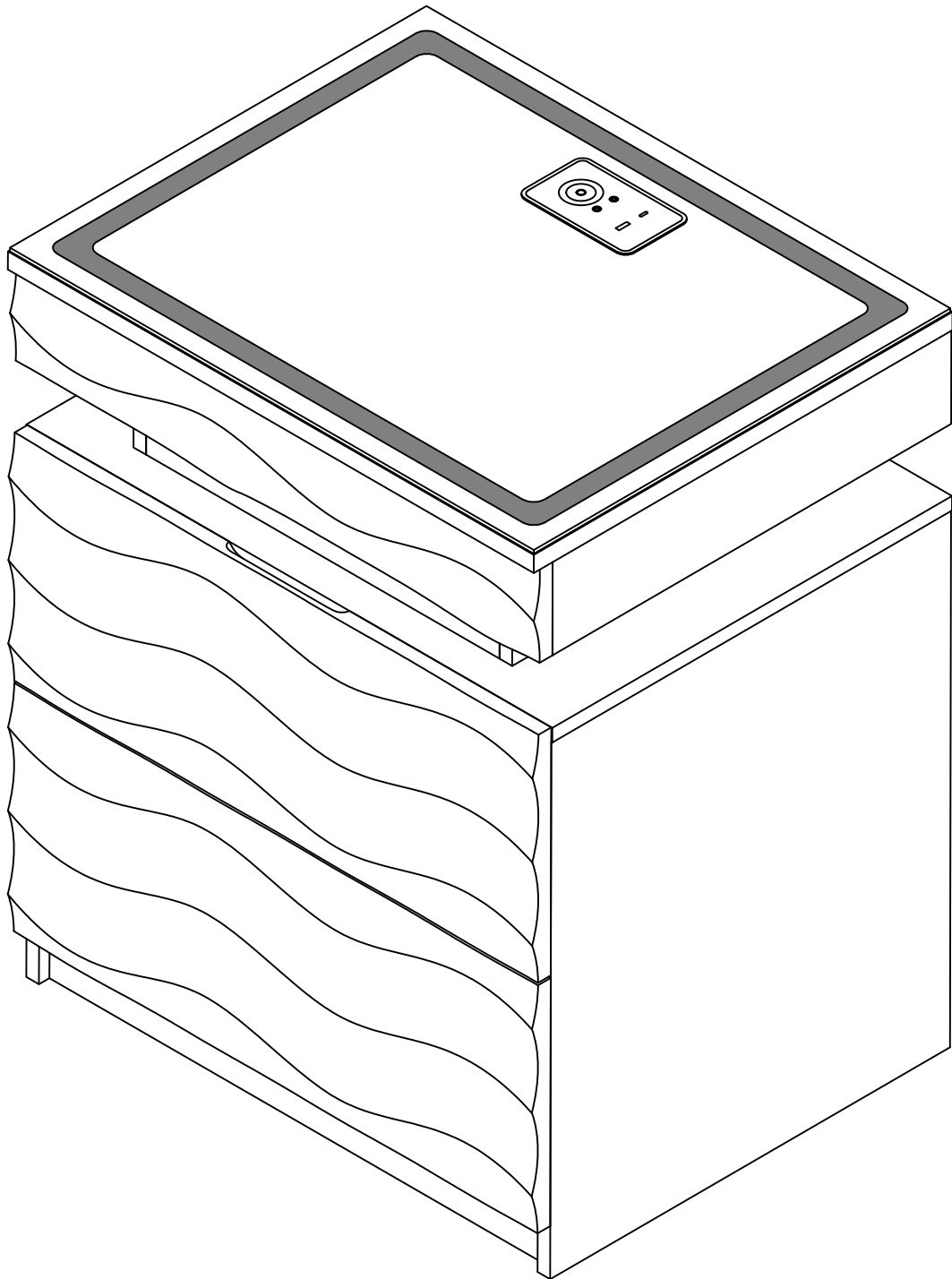
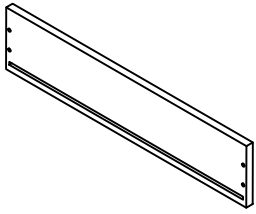
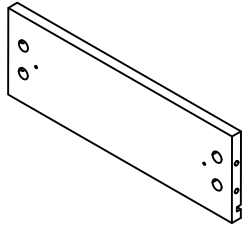


# 91143 Product Installation Instructions

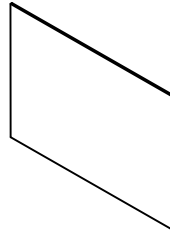




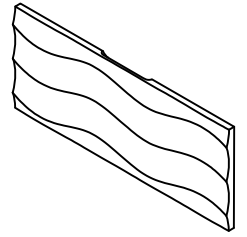
1x2



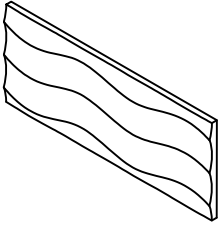
2x4



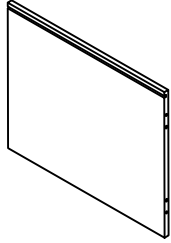
3x2



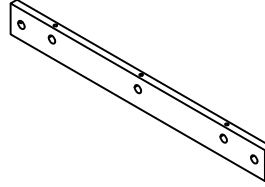
4x1



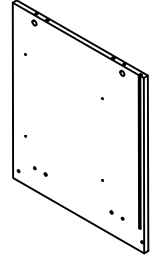
5x1



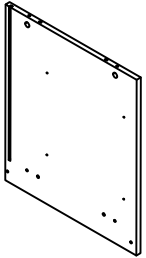
6x1



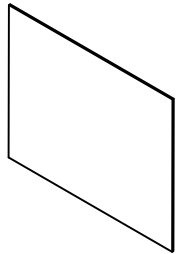
7x2



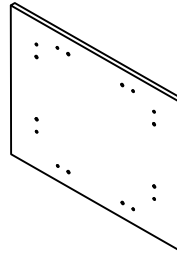
8x1



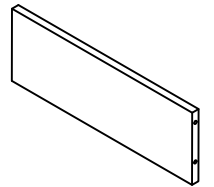
9x1



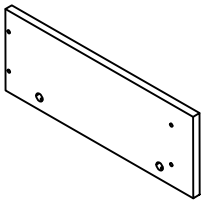
10x1



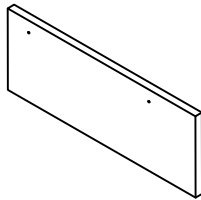
11x1



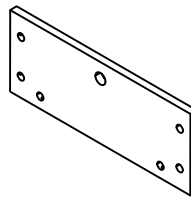
12x1



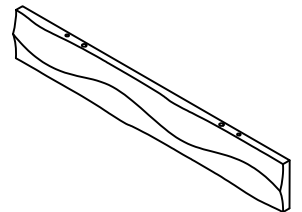
13x1



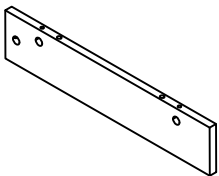
14x1



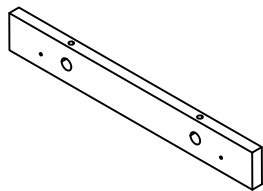
15x1



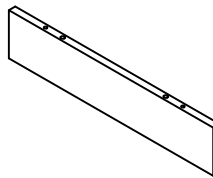
16x1



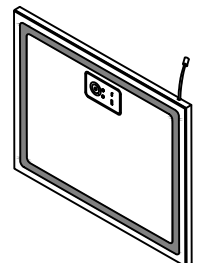
17x1



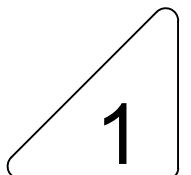
18x2



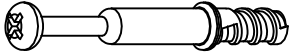


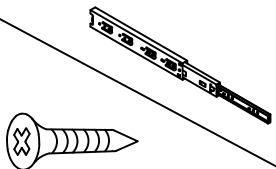
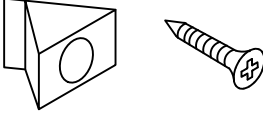
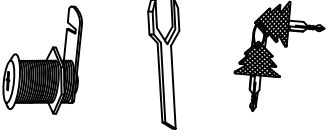

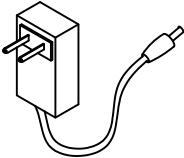
19x1

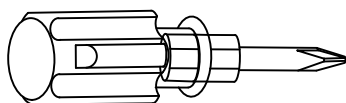


20x1

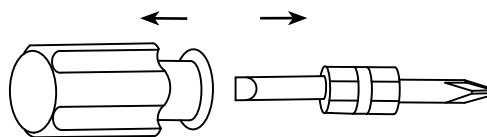


# Accessories list

<p><b>A</b></p>		<p>Two In One Screw (6x28mm)</p>	<p>62pcs +4pcs</p>
<p><b>B</b></p>		<p>Two In One Nut (10x12mm)</p>	<p>62pcs +4pcs</p>
<p><b>C</b></p>		<p>Wood Chipping (6x30mm)</p>	<p>22pcs +2pcs</p>
<p><b>D</b></p>		<p>Screw &amp; Guide (12 inch) (3.5x12mm)</p>	<p>6pcs 30pcs +6pcs</p>
<p><b>E</b></p>		<p>Back plate buckle &amp; Screw (3x16mm)</p>	<p>4pcs +1pcs</p>
<p><b>F</b></p>		<p>Locks &amp; tools &amp; key</p>	<p>1pcs</p>
<p><b>G</b></p>		<p>Non-slip pads</p>	<p>8pcs +1pcs</p>
		<p>AC/DC Adapter(12V 3.0A)</p>	<p>1pcs</p>

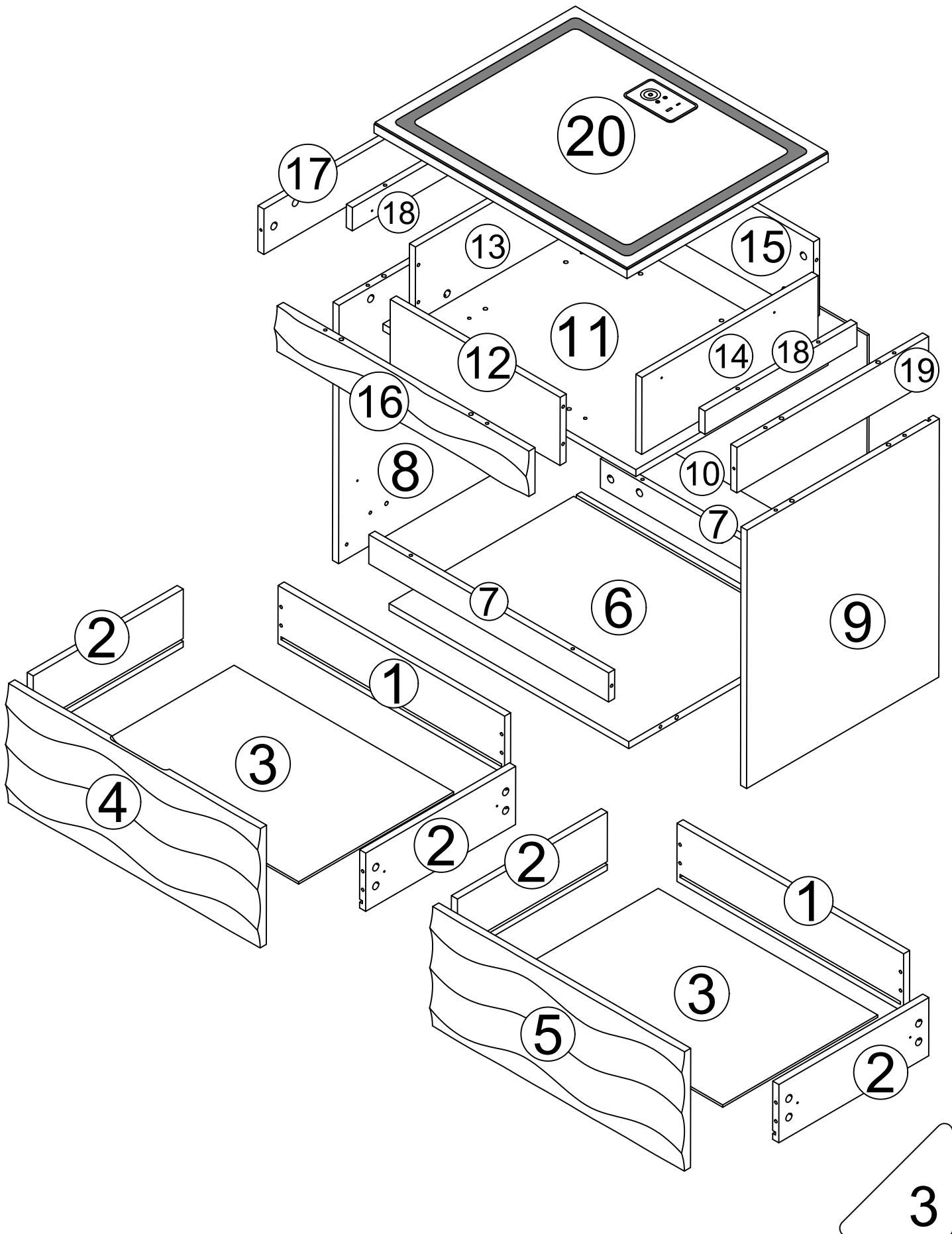


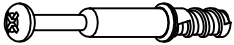
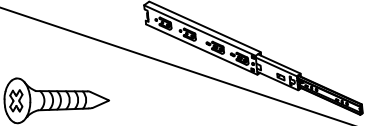

1pcs

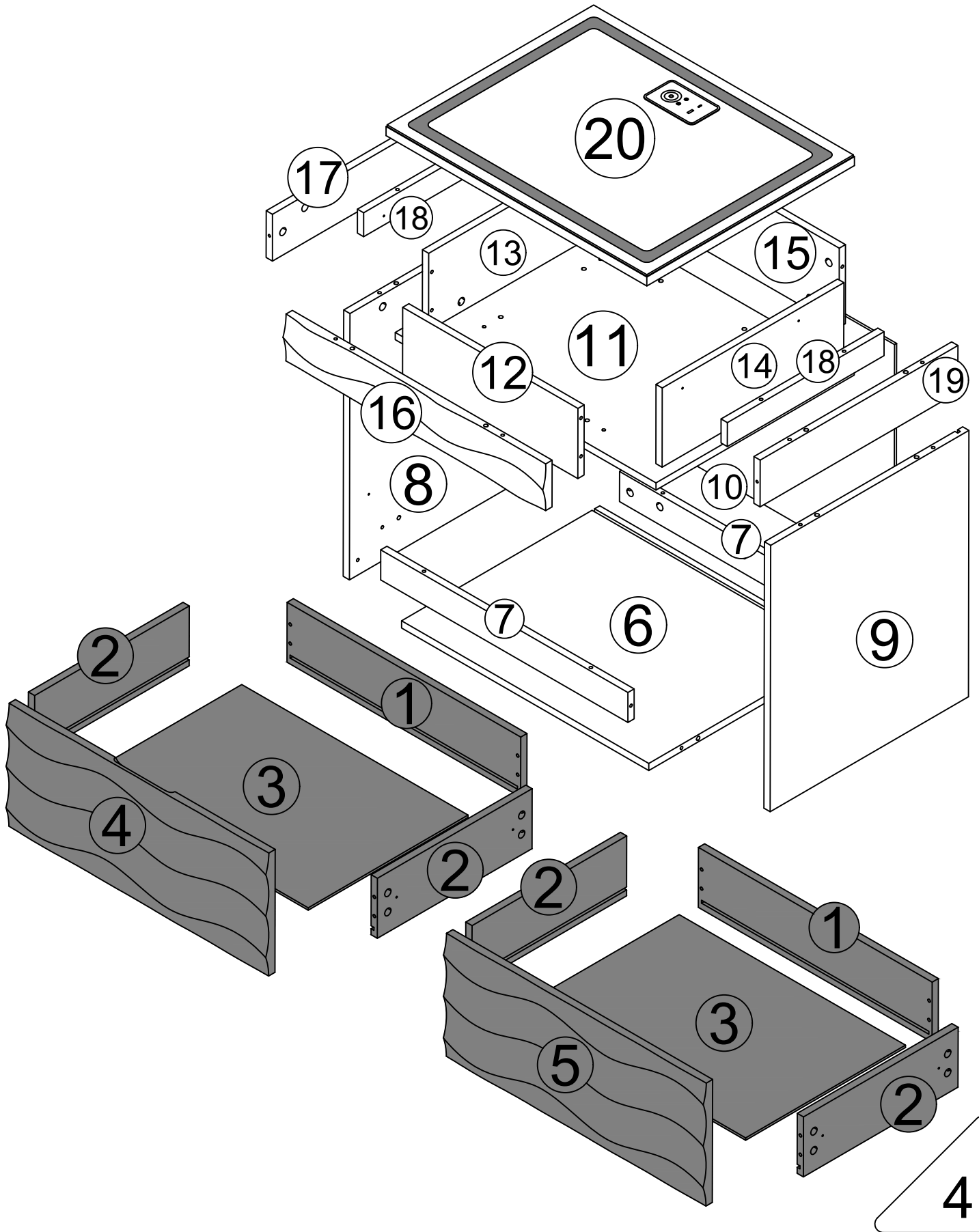


Double-head screwdriver, use as required

# 91143 Product Installation Instructions

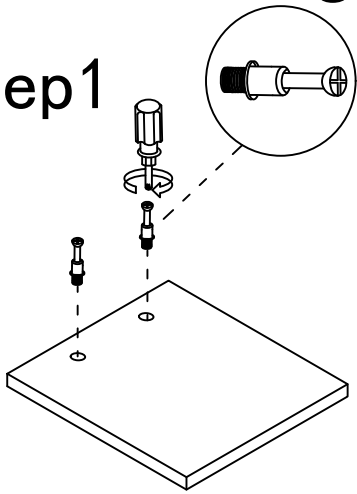


<p><b>A</b></p>		<p>16pcs</p>	<p><b>D</b></p>		<p>4pcs 8pcs</p>
<p><b>B</b></p>		<p>16pcs</p>			

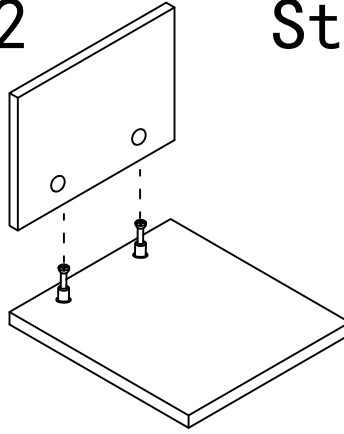


Use parts (A) and (B)

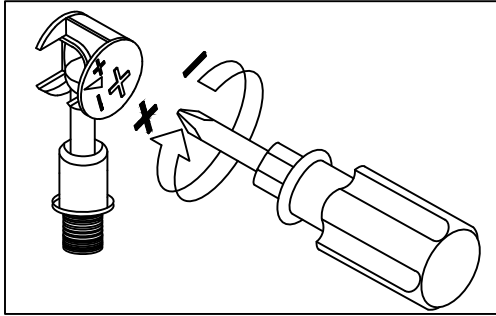
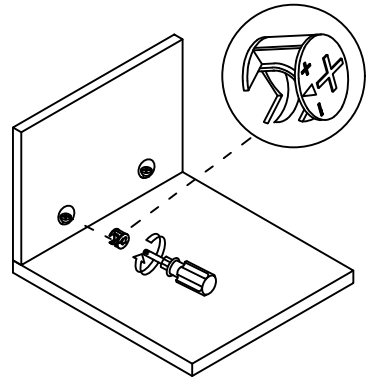
Step 1



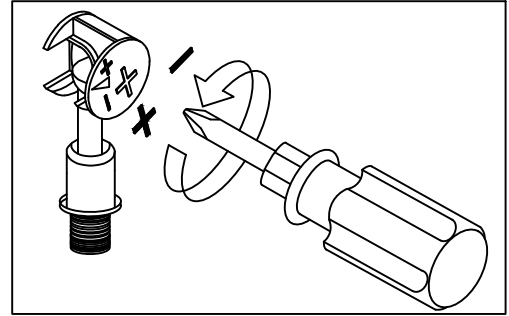
Step 2



Step 3

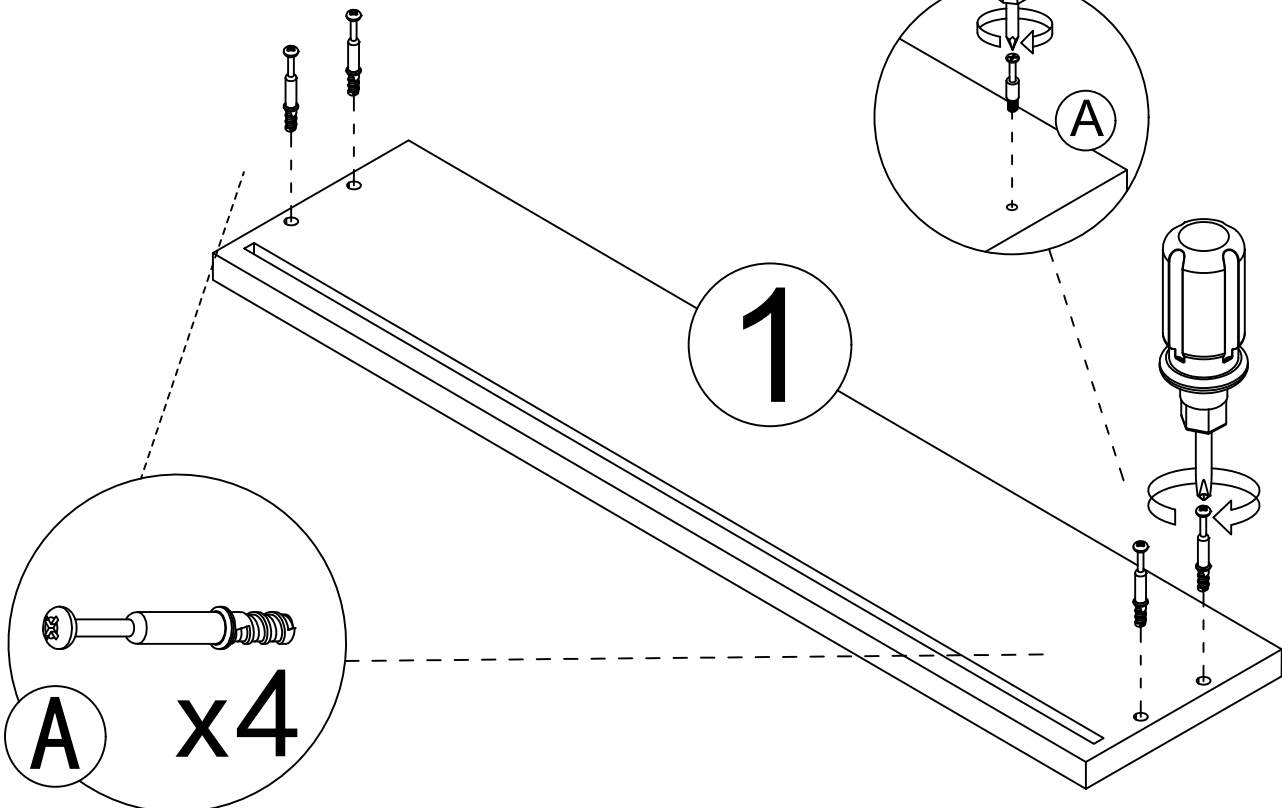
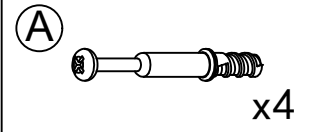


Use a screwdriver to lock in the direction of the "+" sign



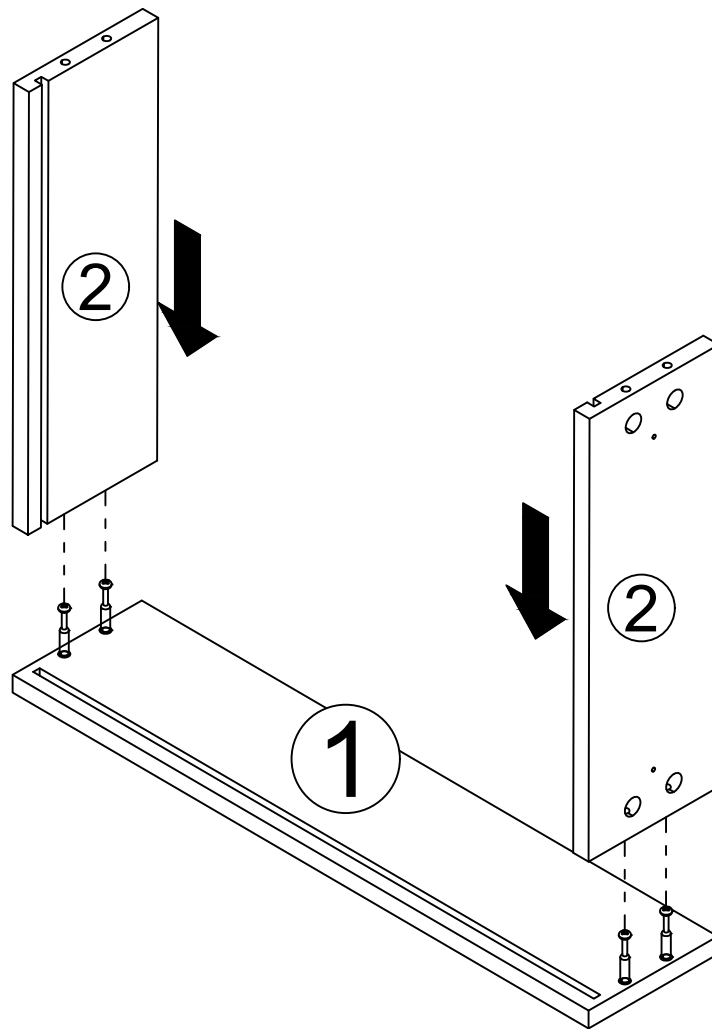
Disassemble along the direction of "-" sign

Step 1

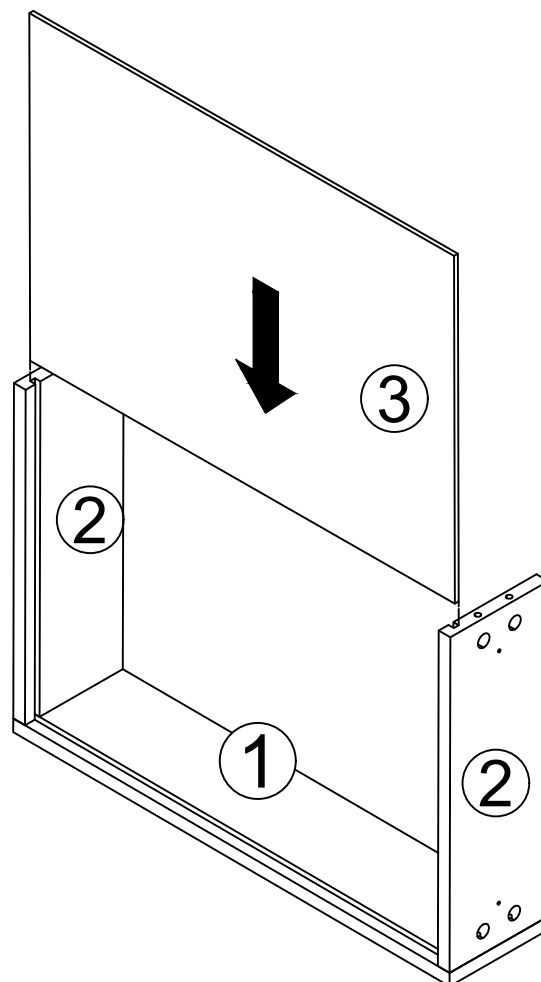


5

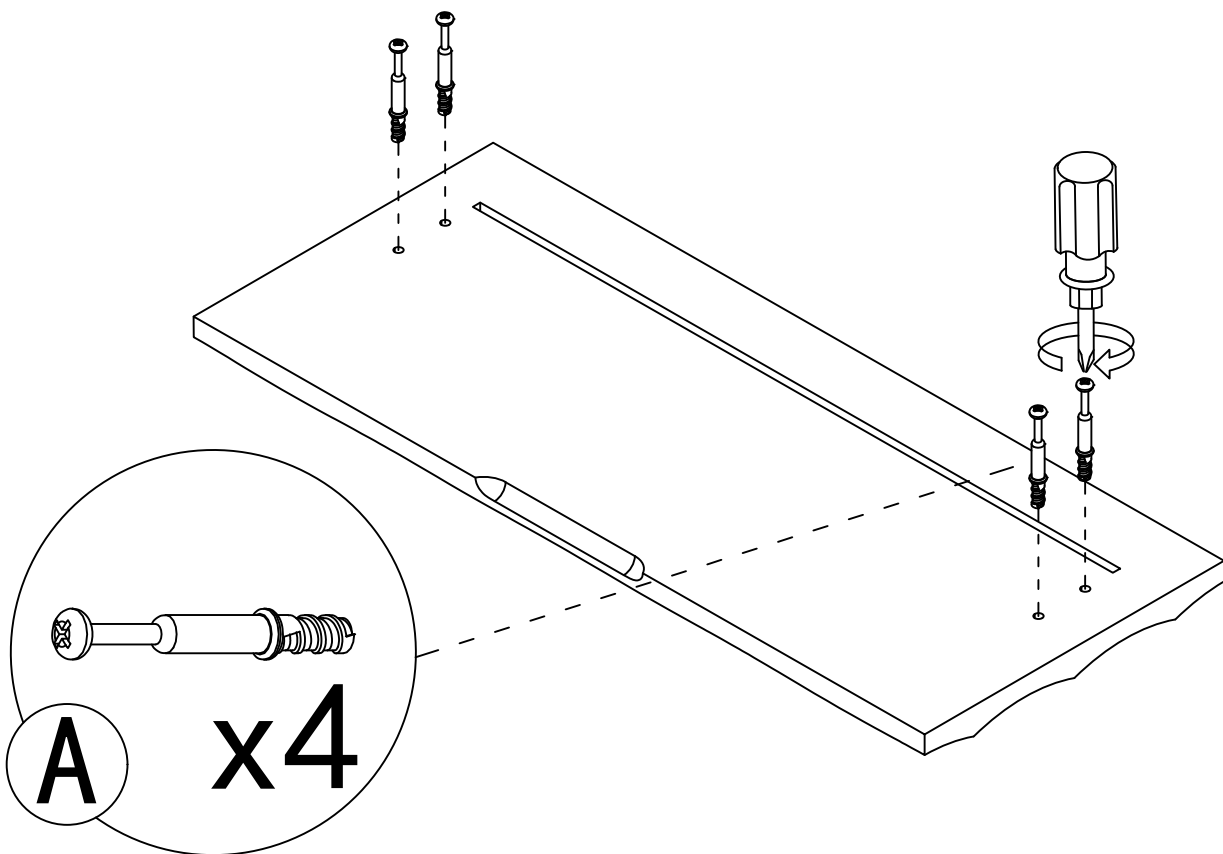
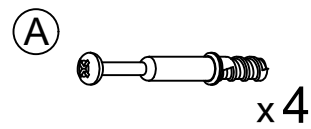
Step 2



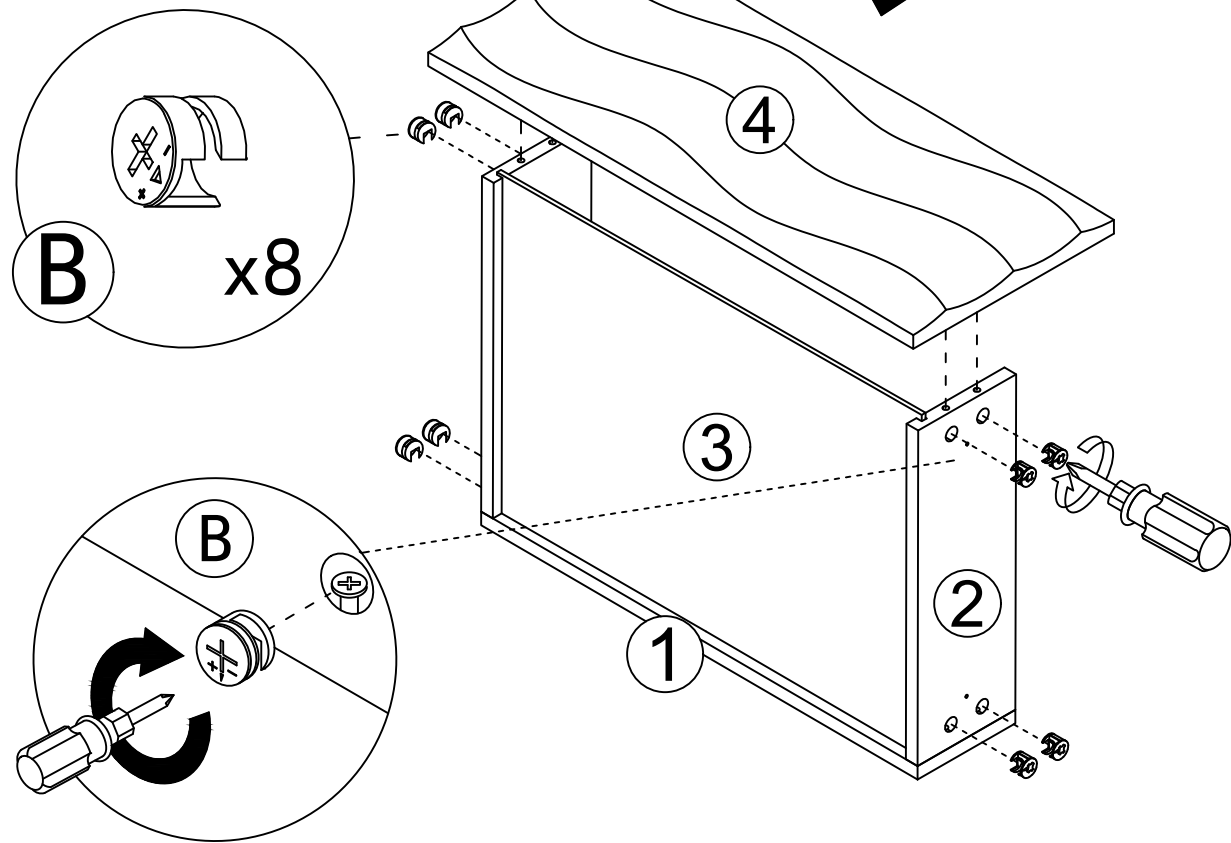
Step 3



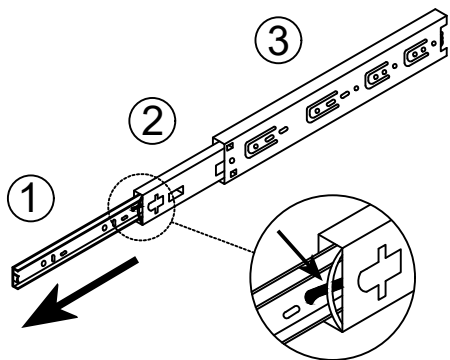
# Step 4



# Step 5

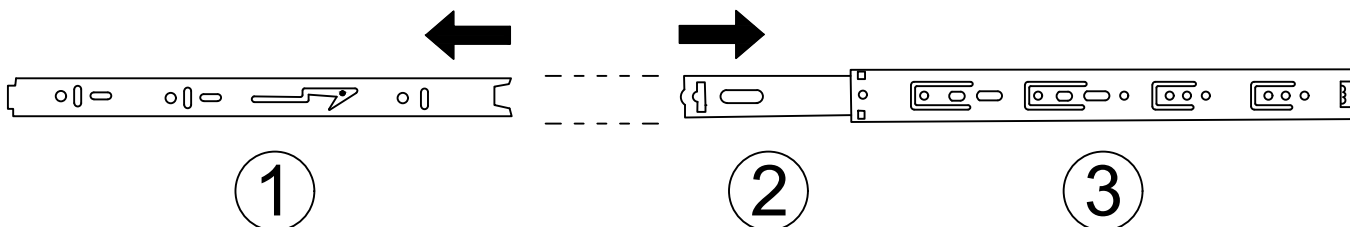
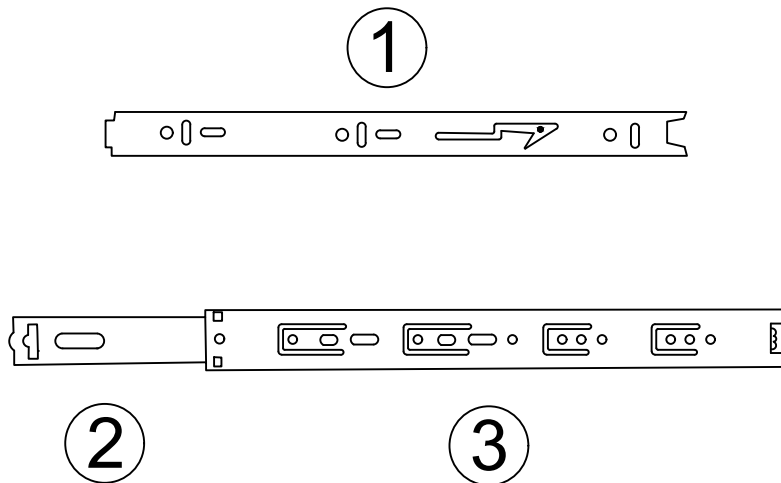


Drawer rail breakdown diagram

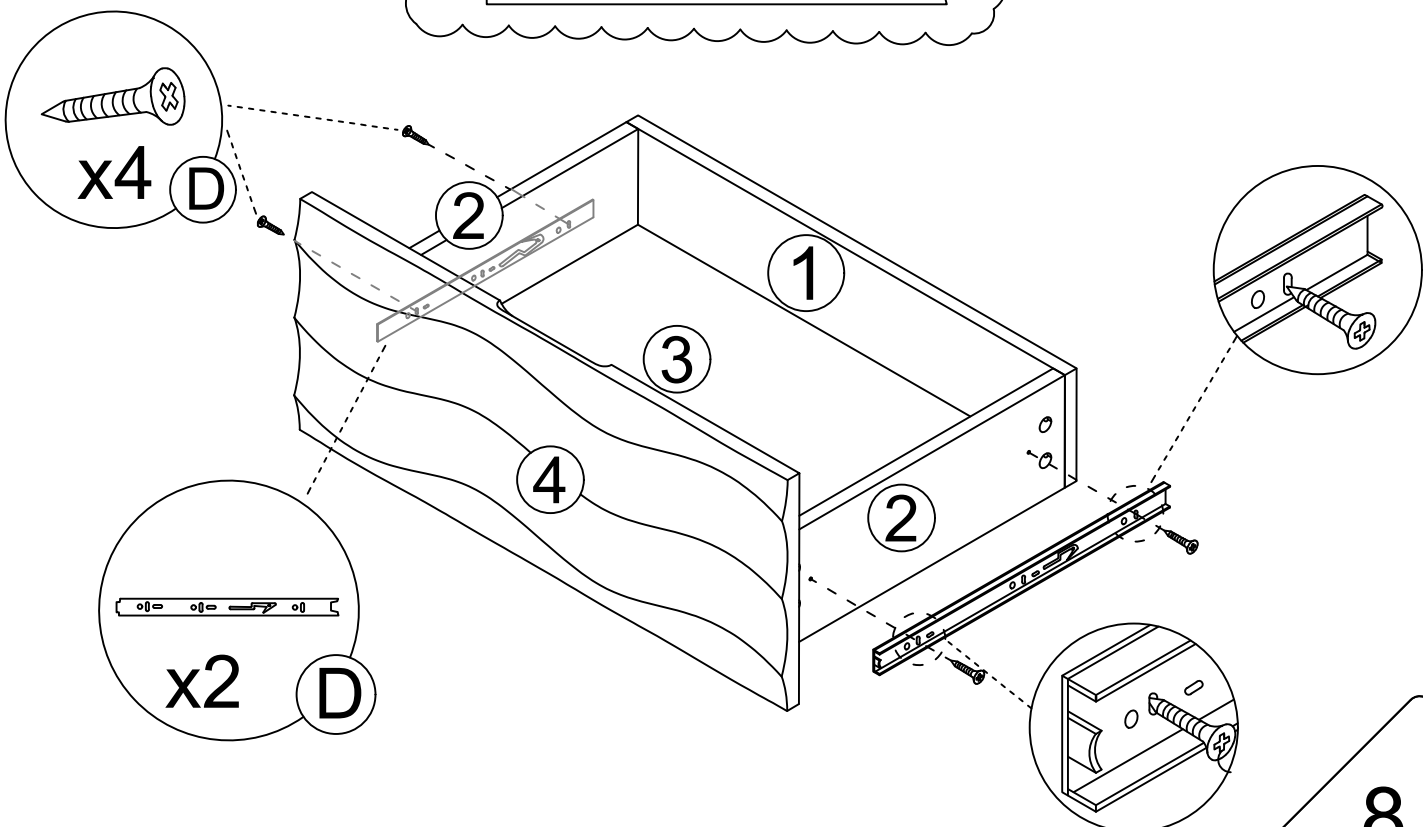
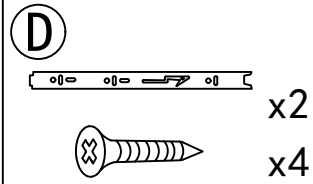
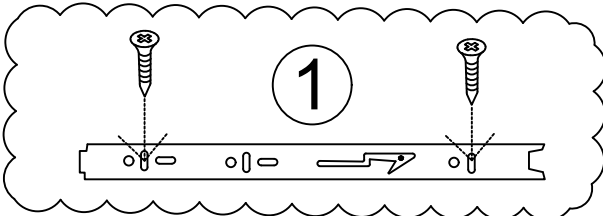


Step 1 : Pull the rails apart

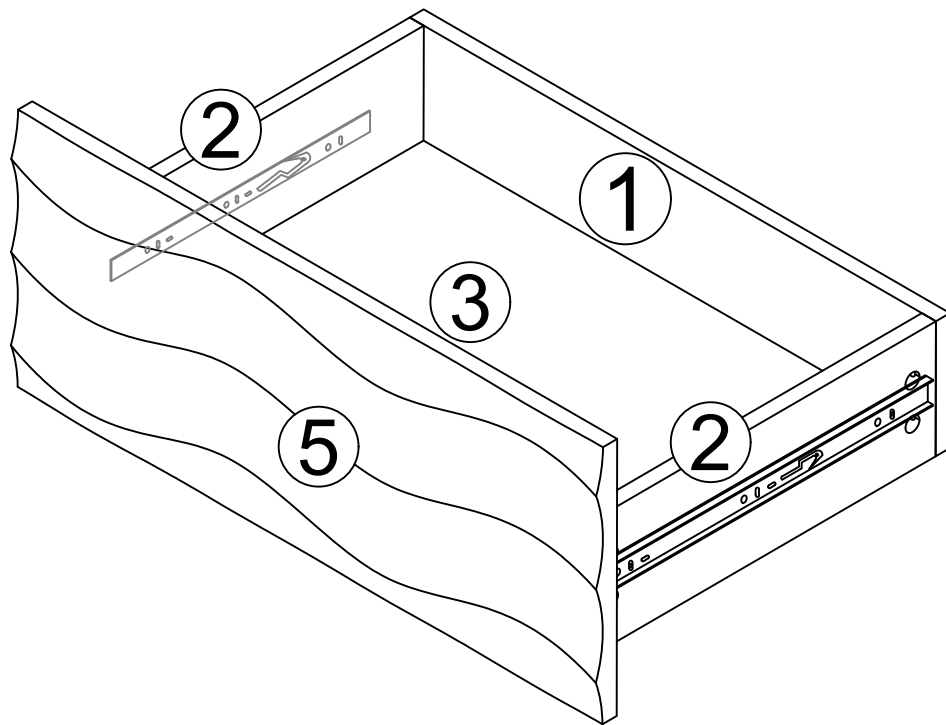
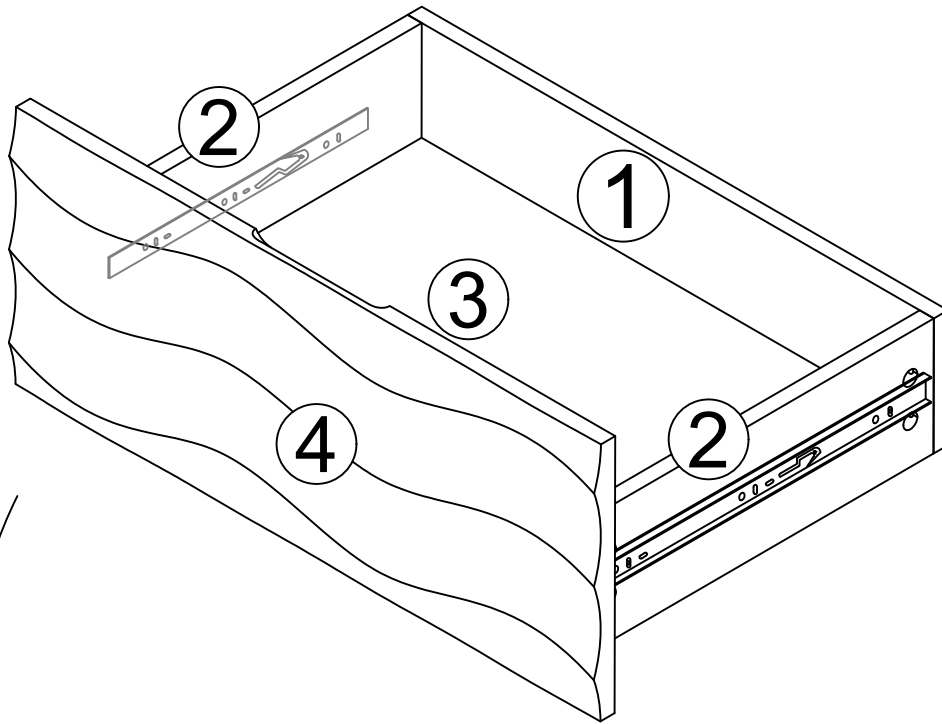
Step 2 : Push the nylon buckle outward ①

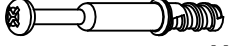





Step 6

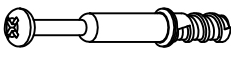
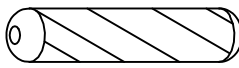

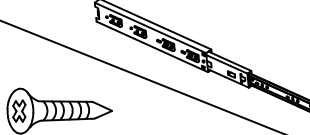



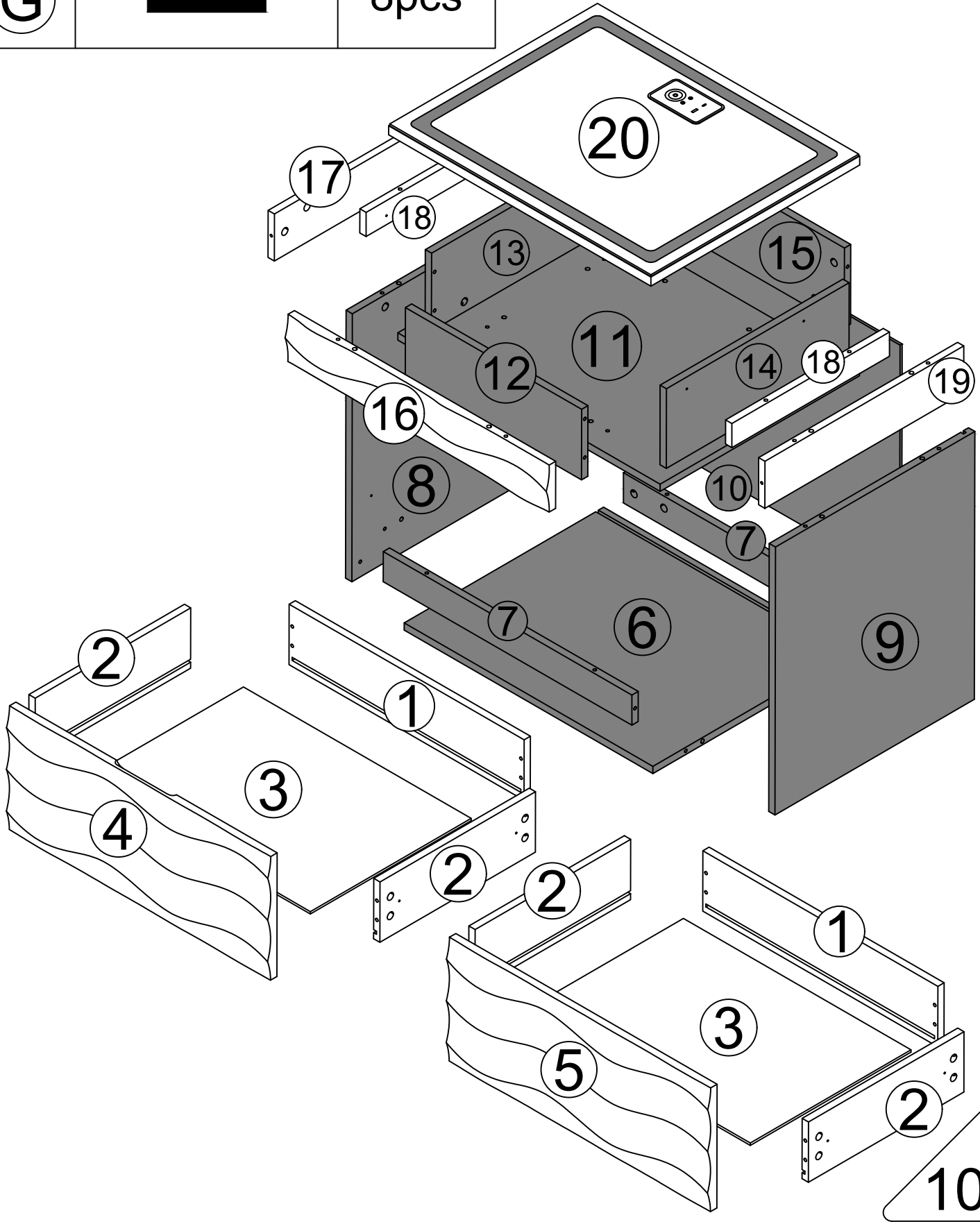
Step 7



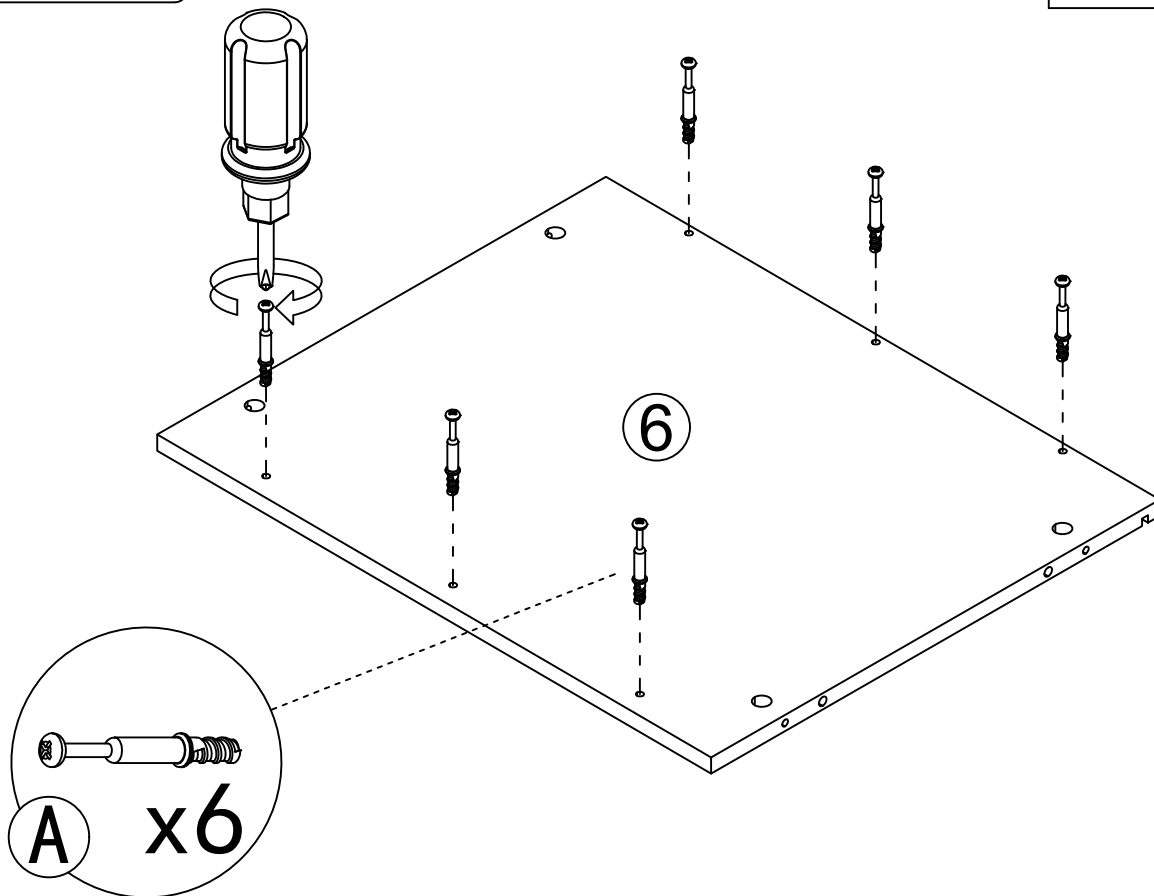
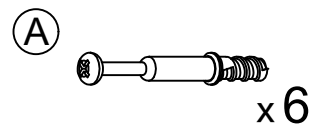
- (A)  x8
- (B)  x8
- (D)  x2  
 x4

The installation method for the other drawer is the same

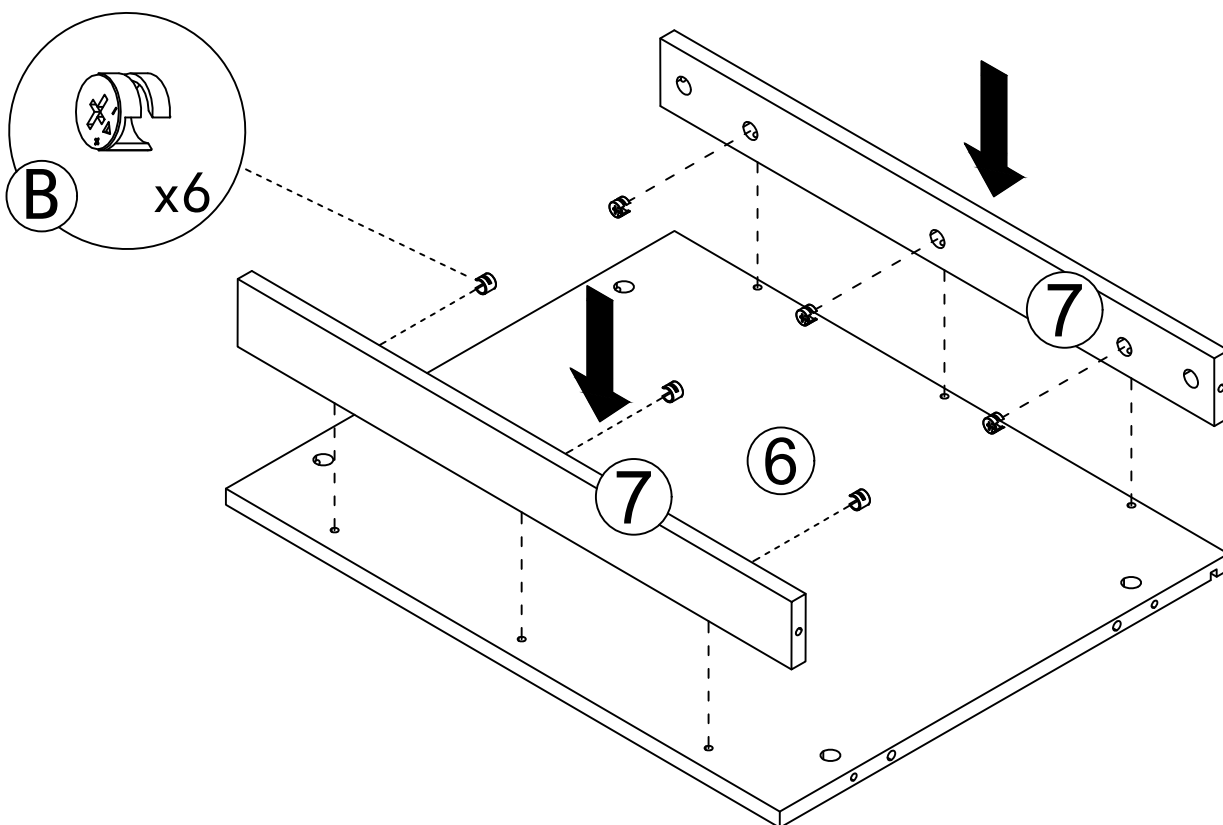
A		34pcs	C		16pcs
B		34pcs	D		6pcs 18pcs
G		8pcs			



Step 8

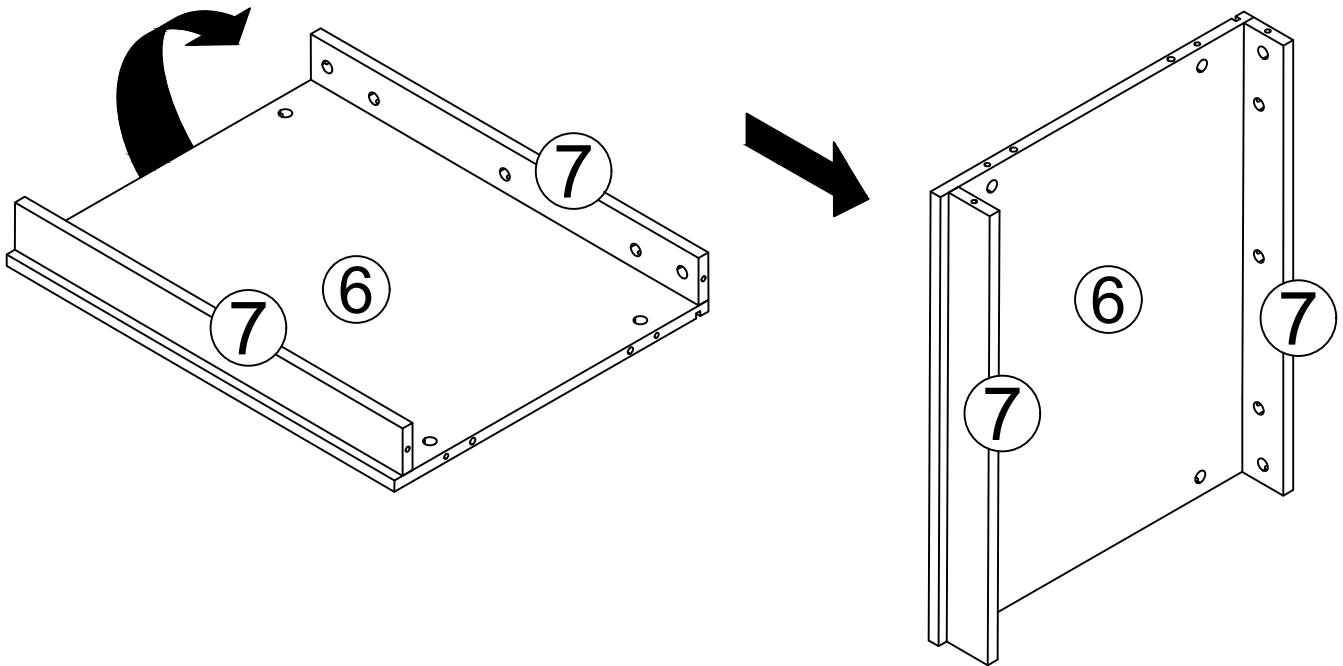


Step 9

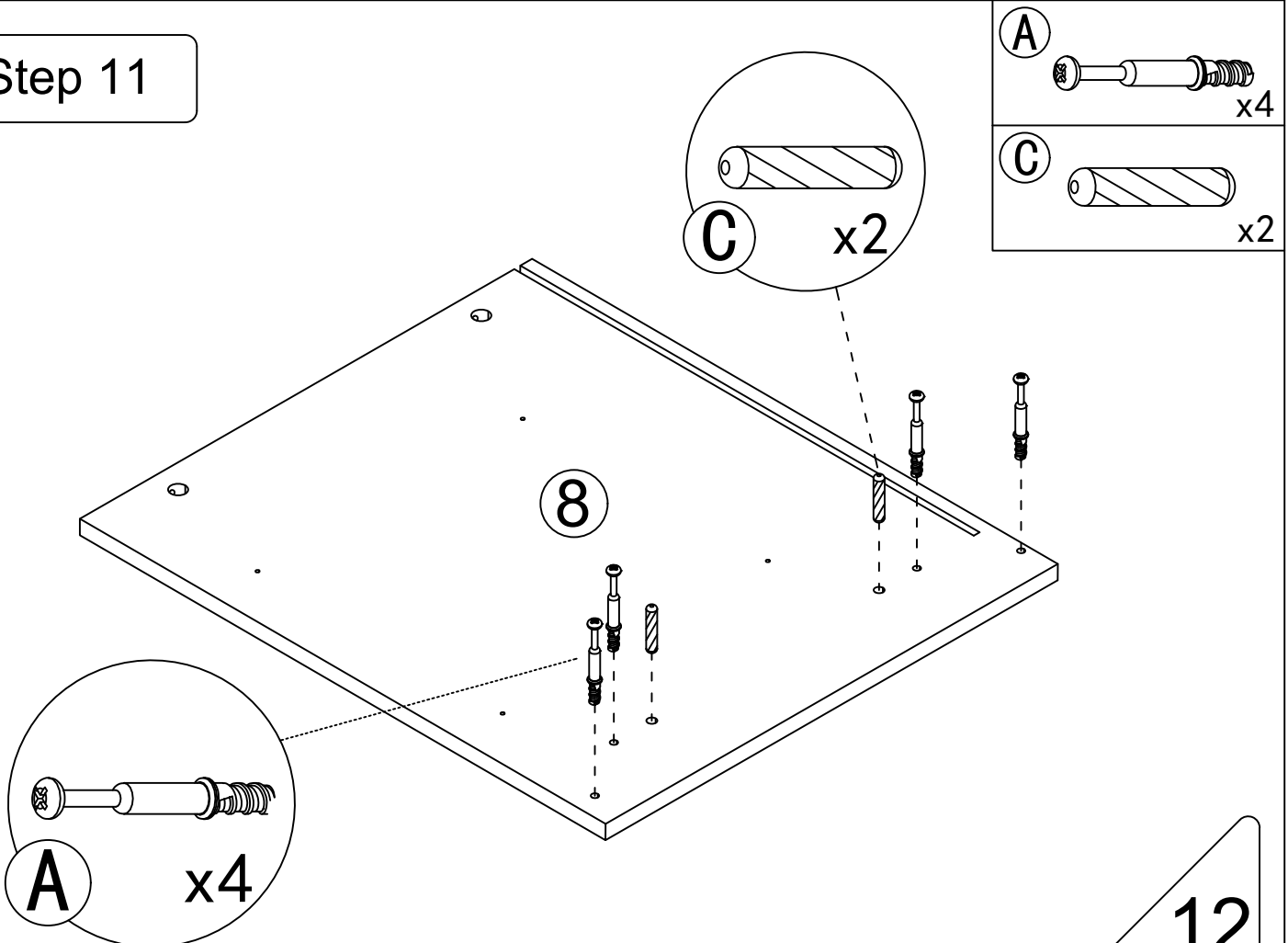


# Step 10

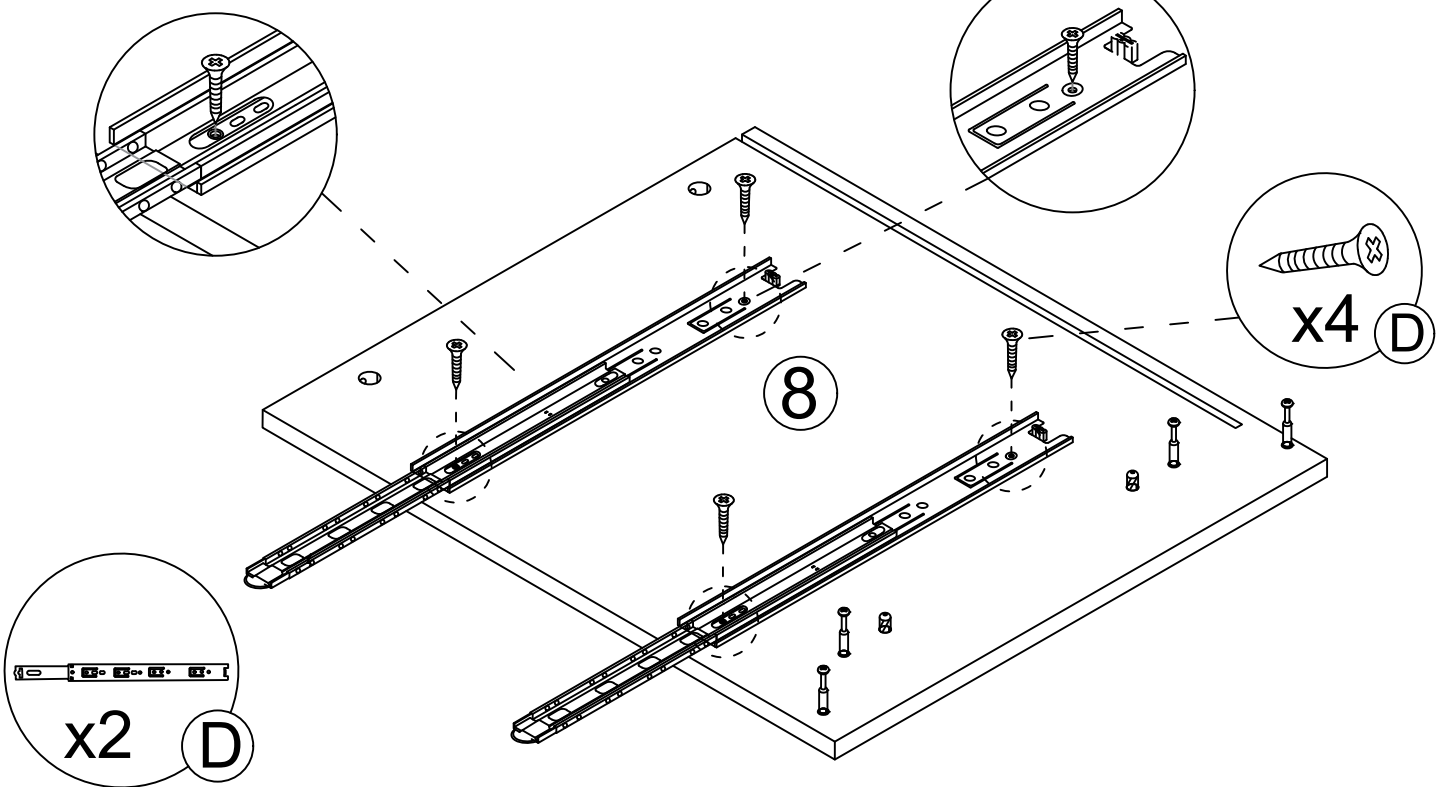
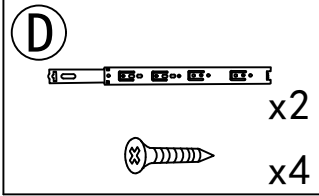
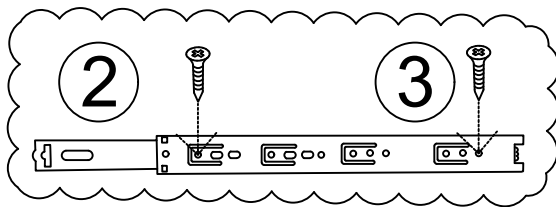
Flip it over



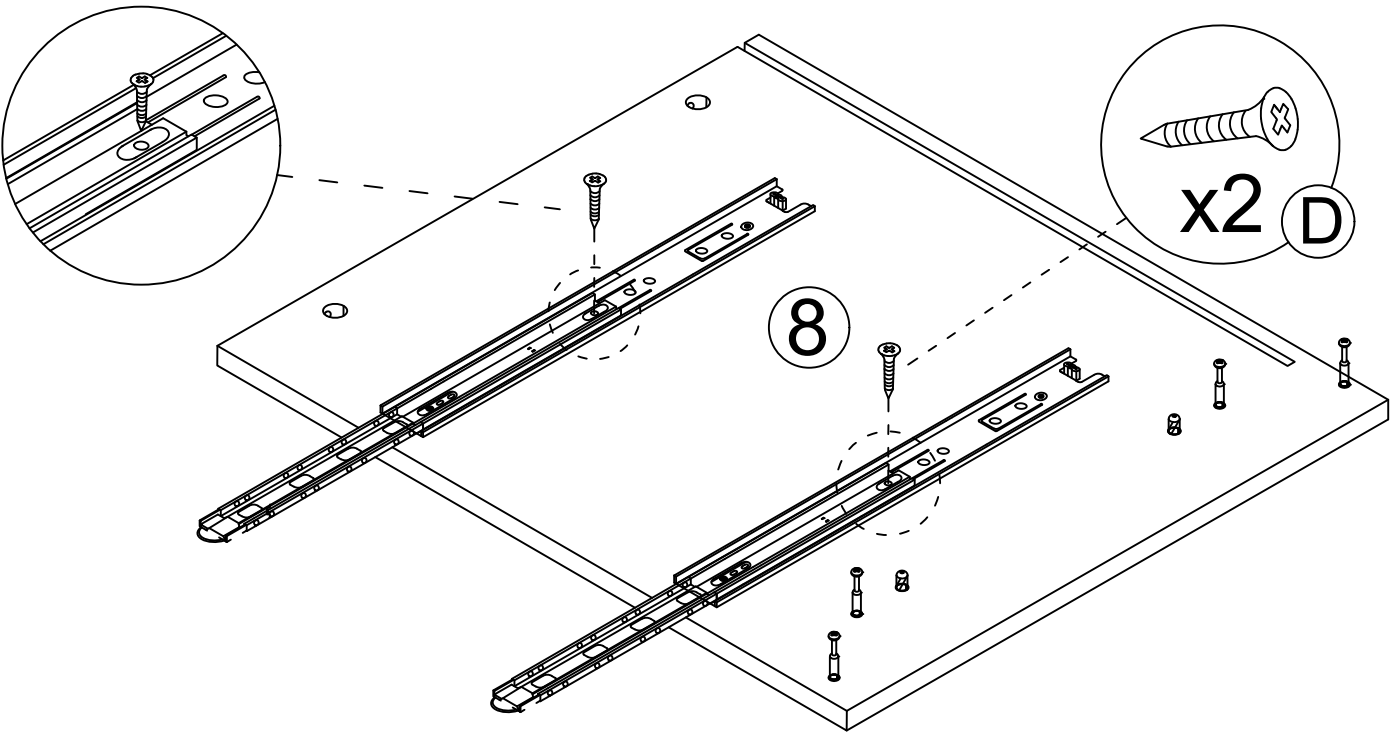
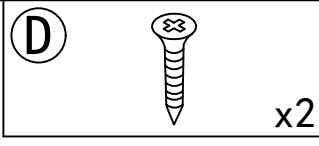
# Step 11



# Step 12


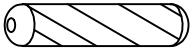



# Step 13

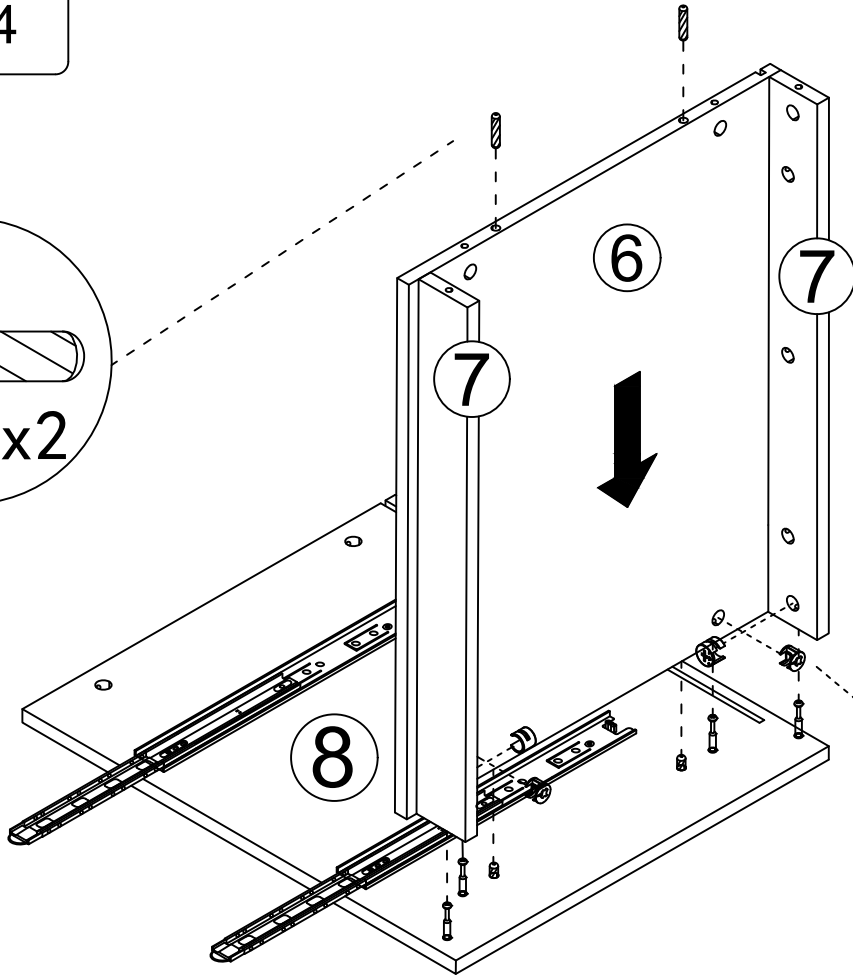



This hole is for strengthening fixed hole customers can choose to install according to their needs.

# Step 14

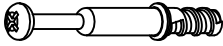
- (B)  x4
- (C)  x2

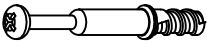
- (C)  x2

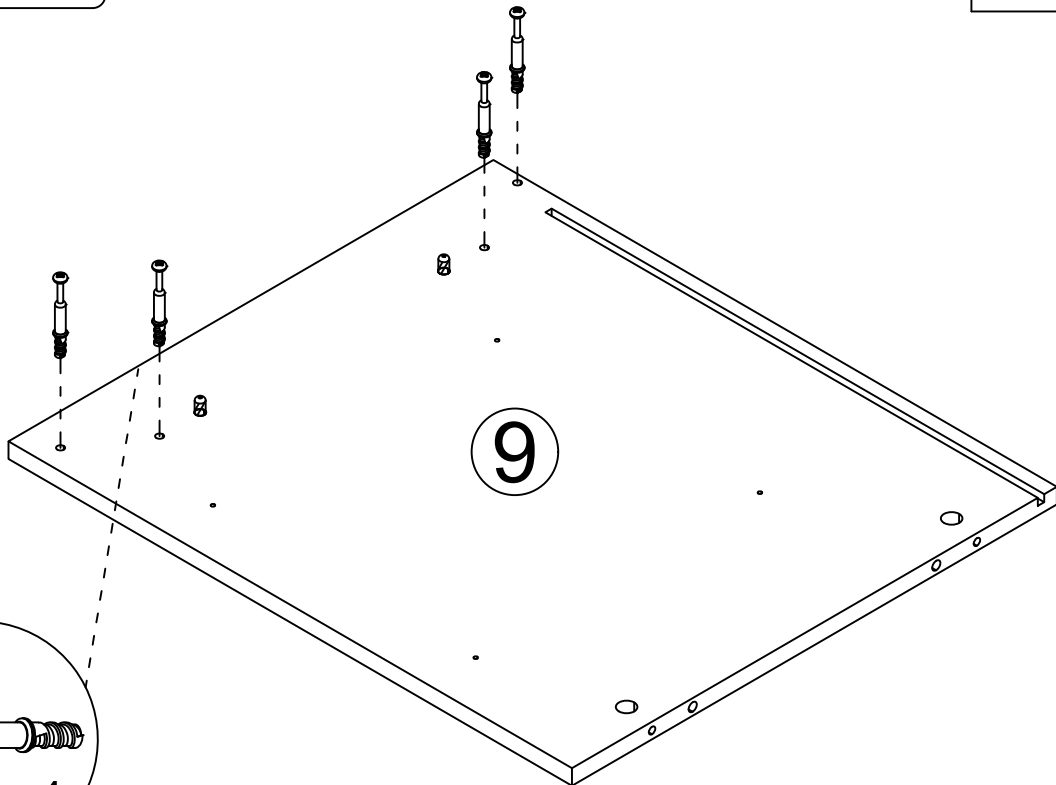


- (B)  x4

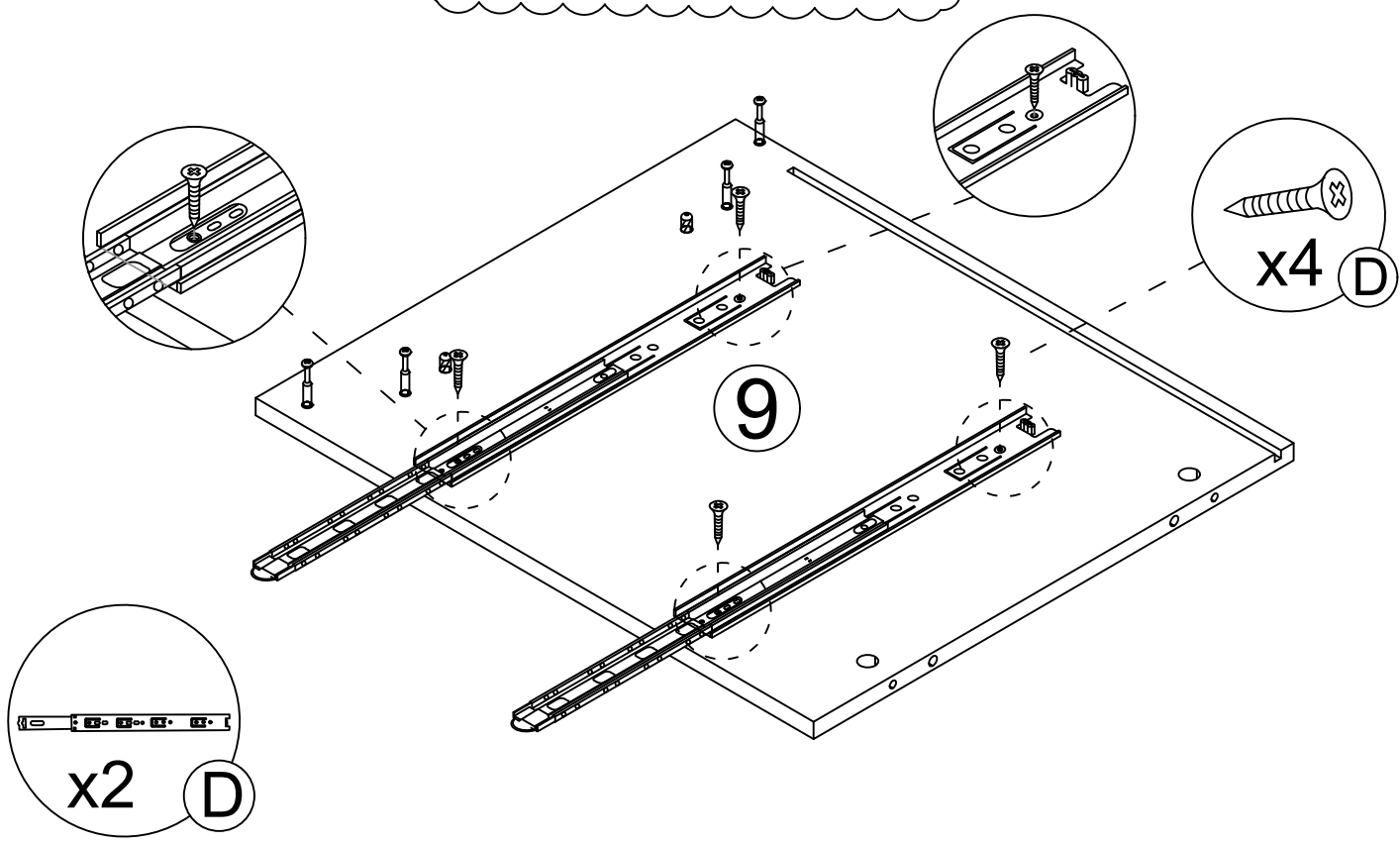
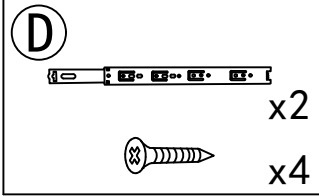
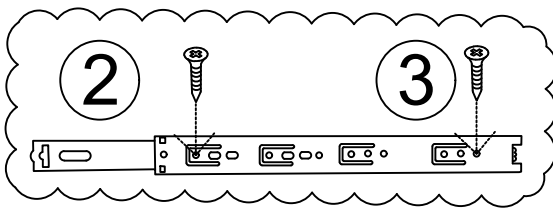
# Step 15

- (A)  x4

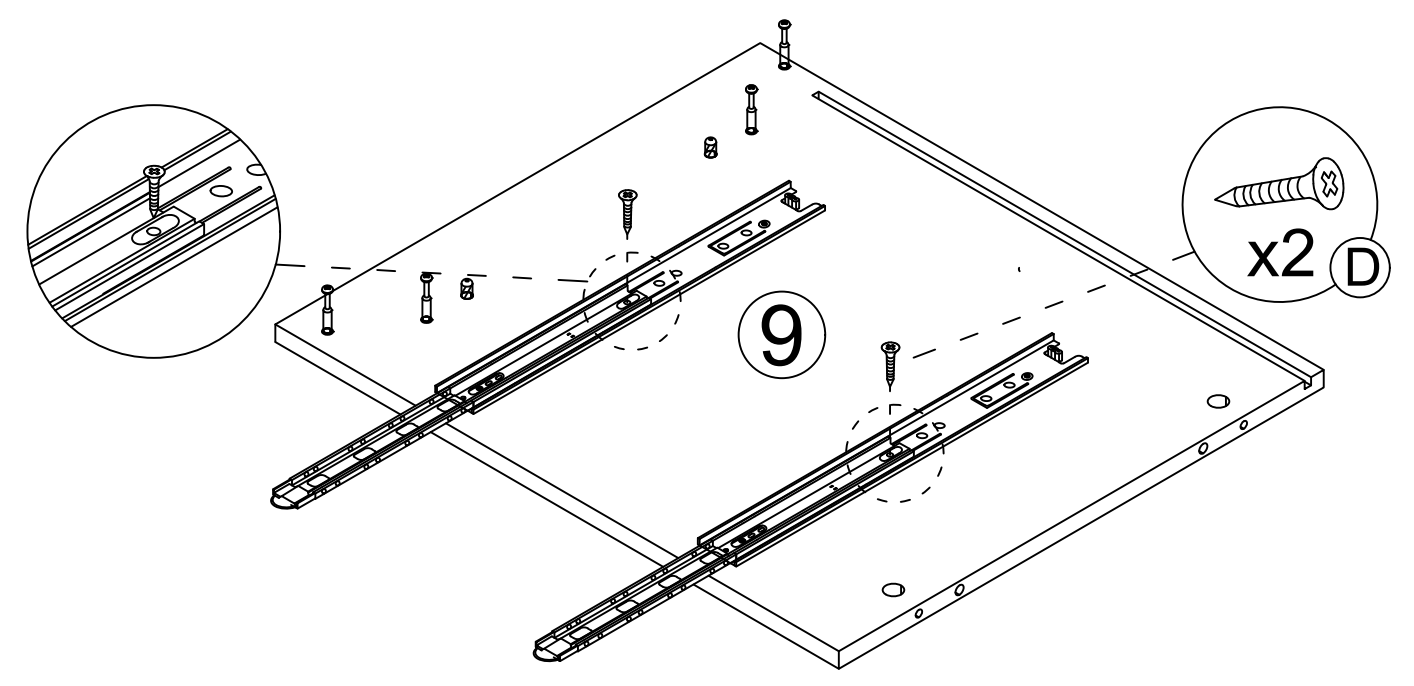
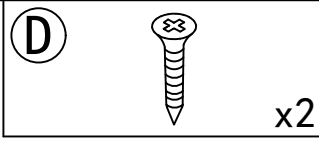
- (A)  x4



# Step 16

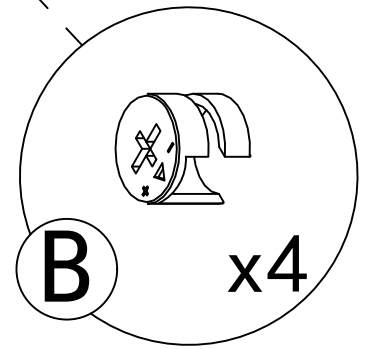
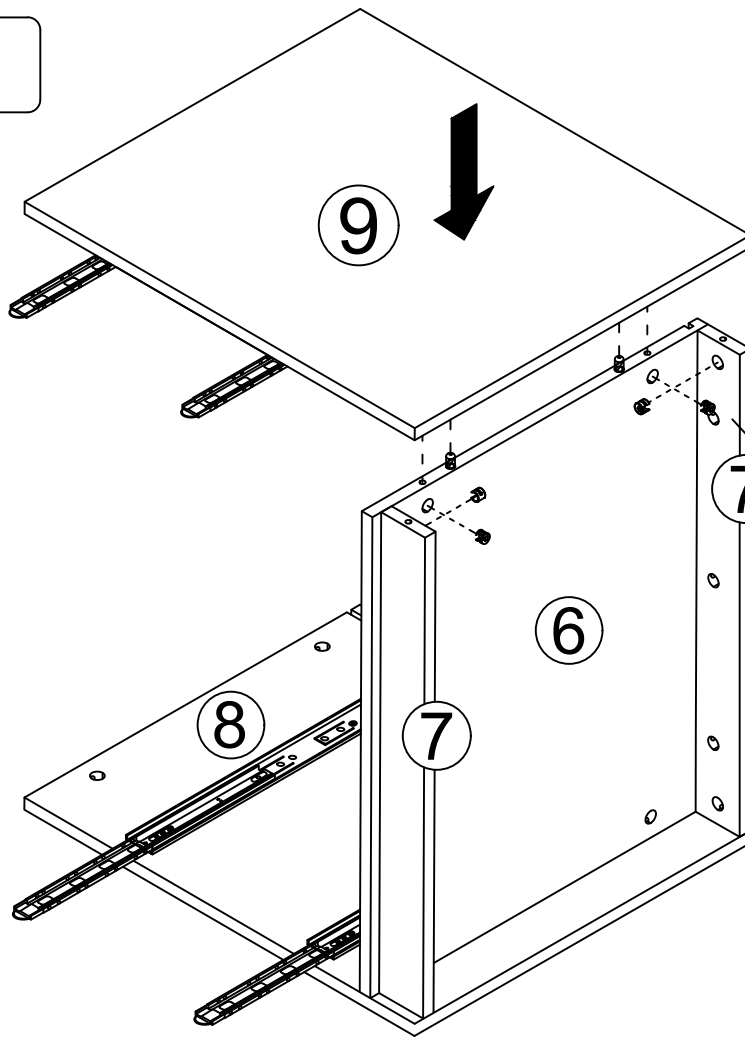


# Step 17

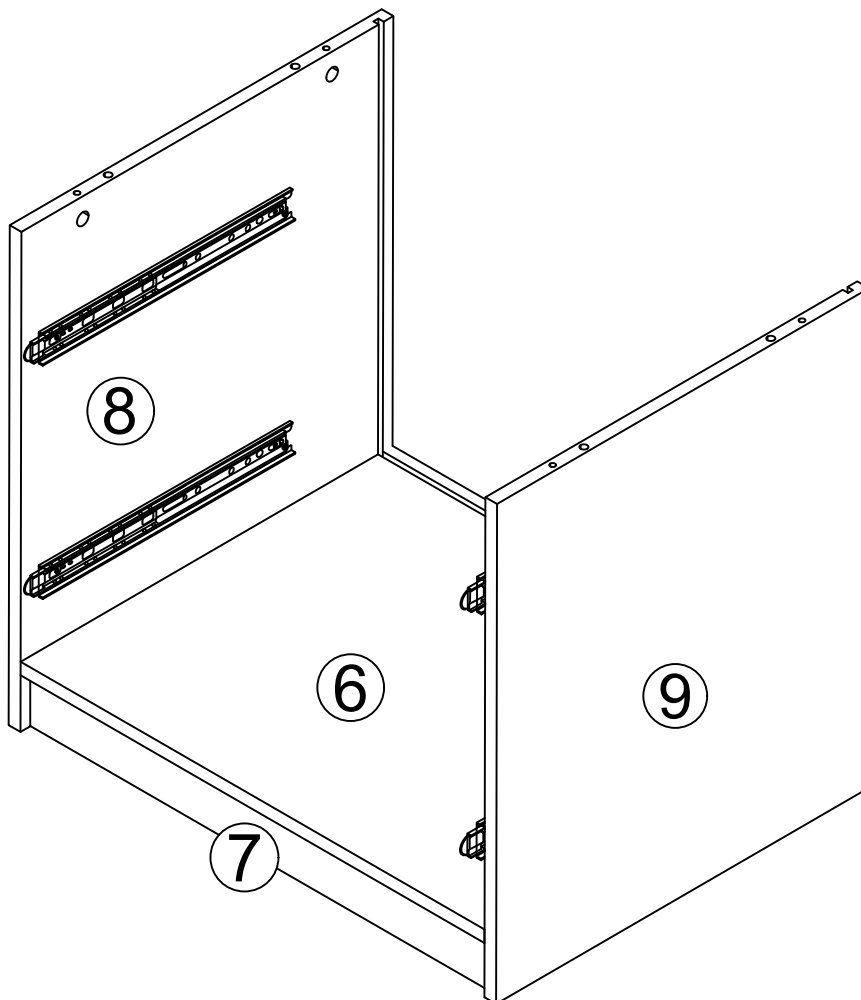


This hole is for strengthening fixed hole customers can choose to install according to their needs.

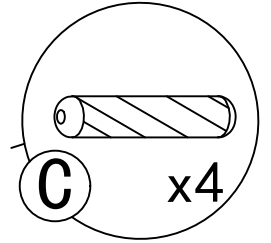
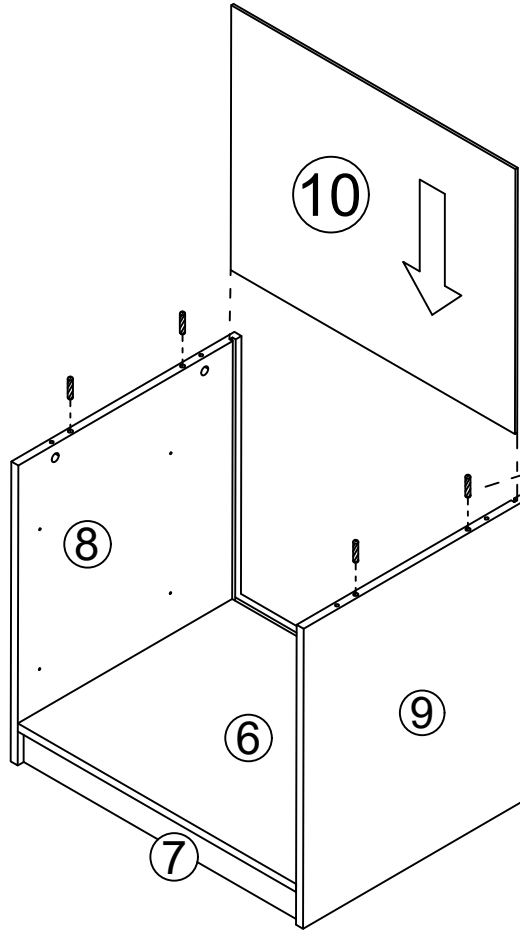
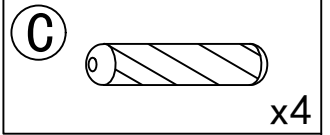
Step 18



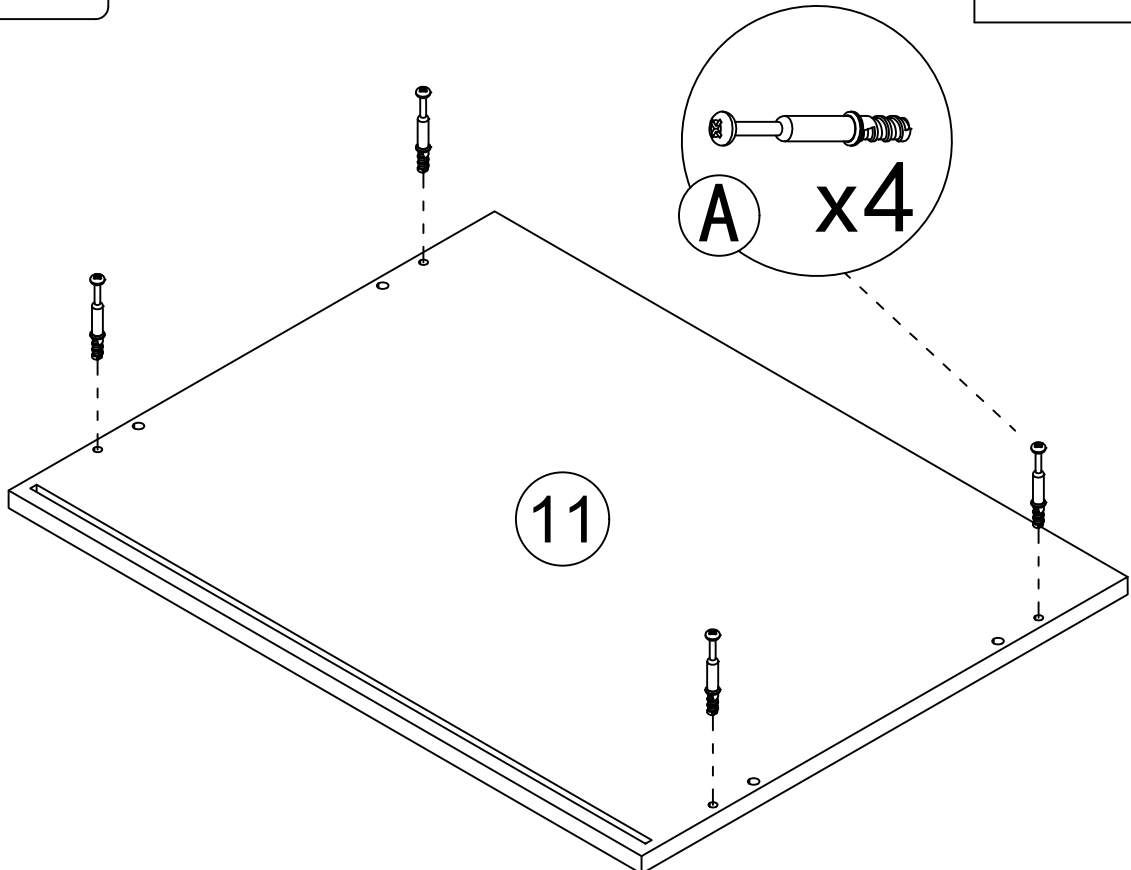
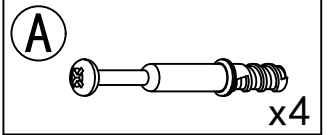
Step 19



Step 20

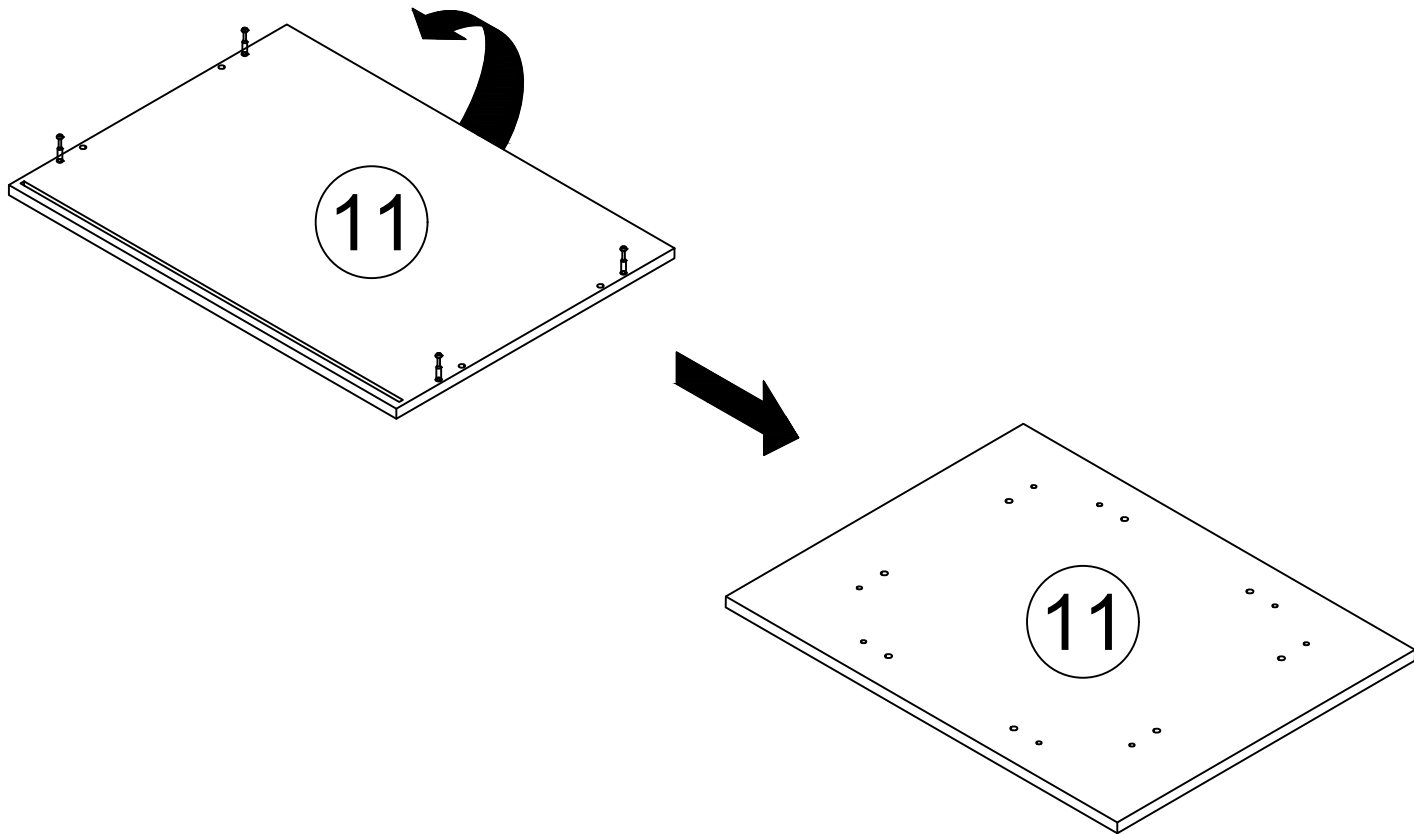


Step 21

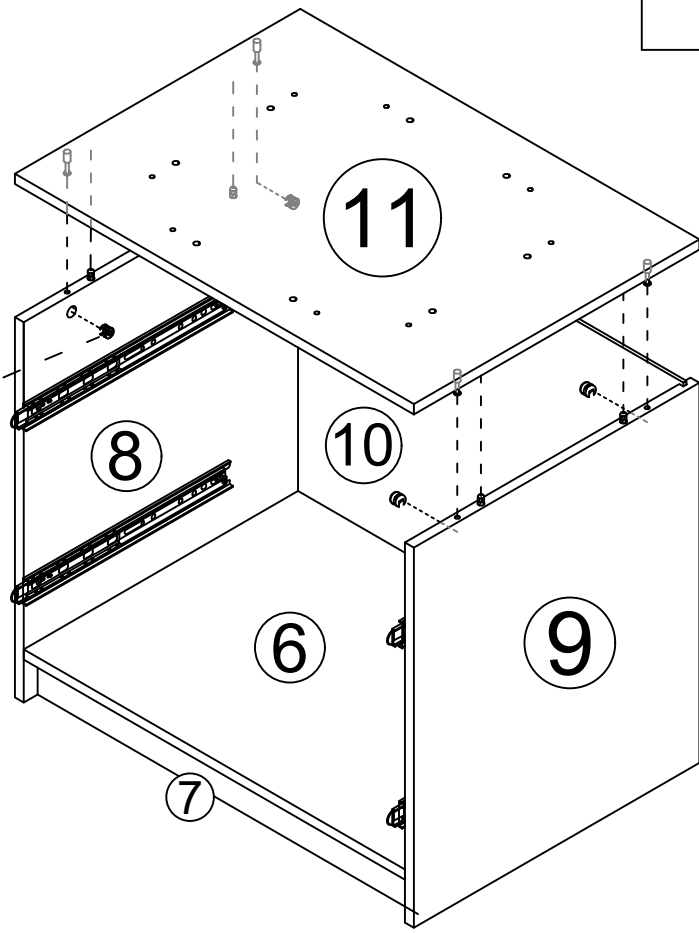
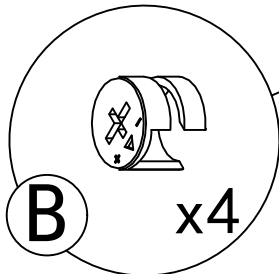


# Step 22

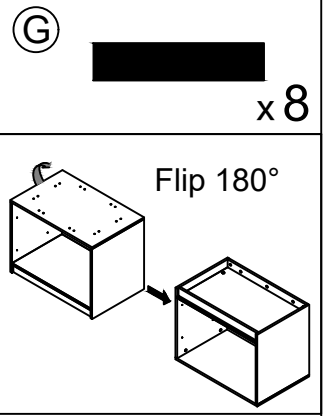
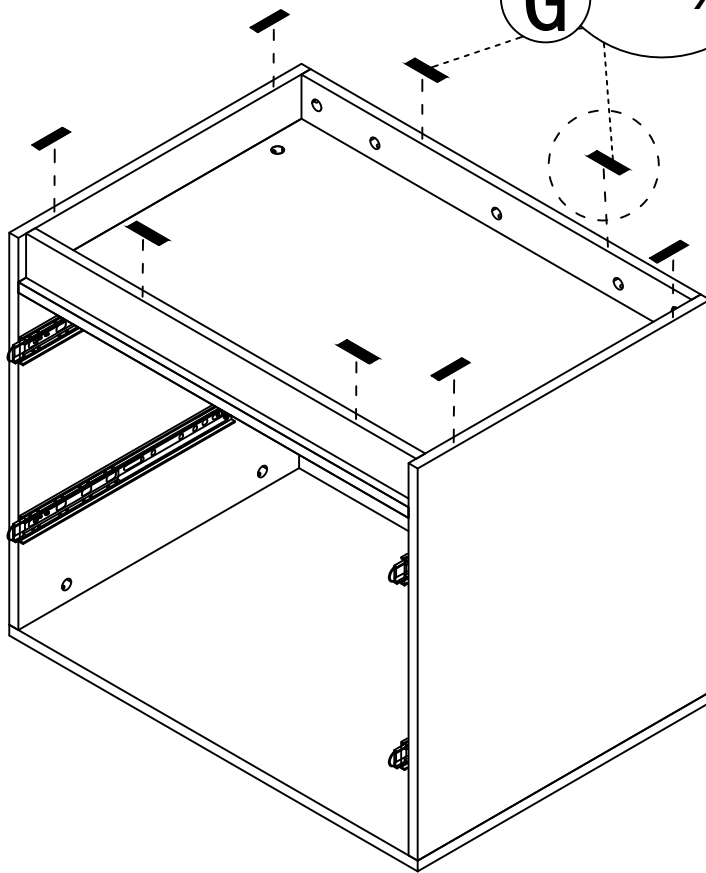
Flip it over



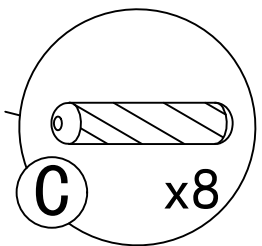
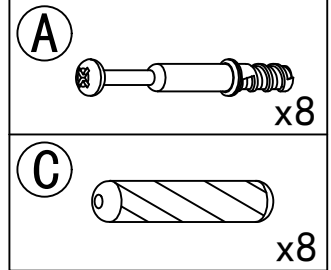
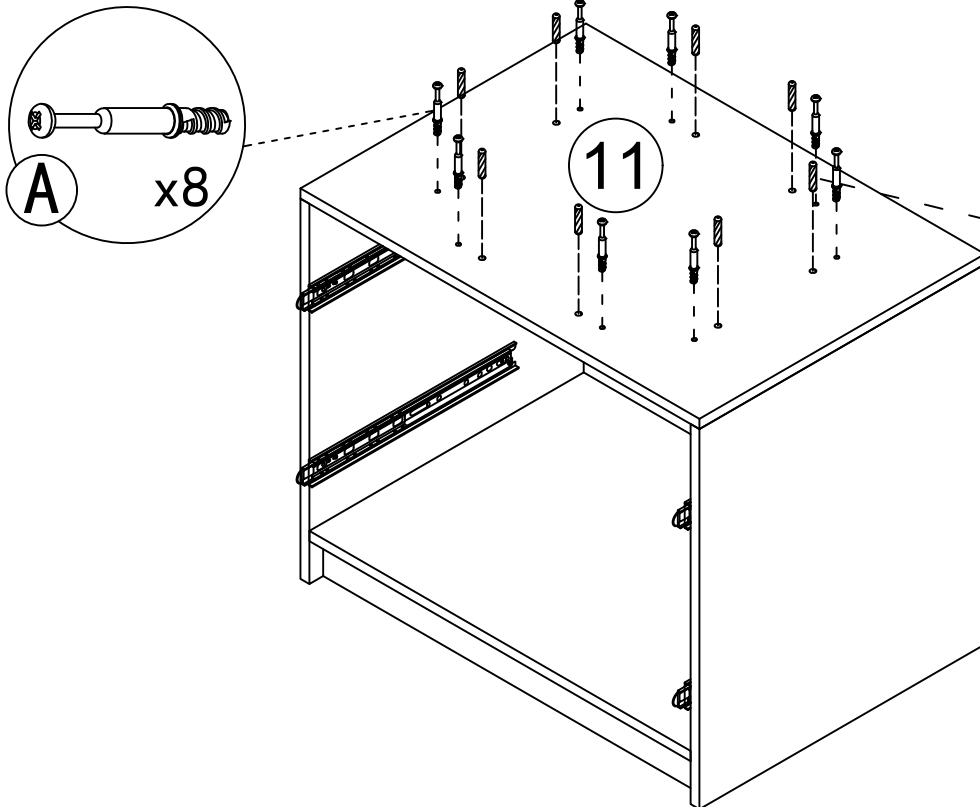
# Step 23



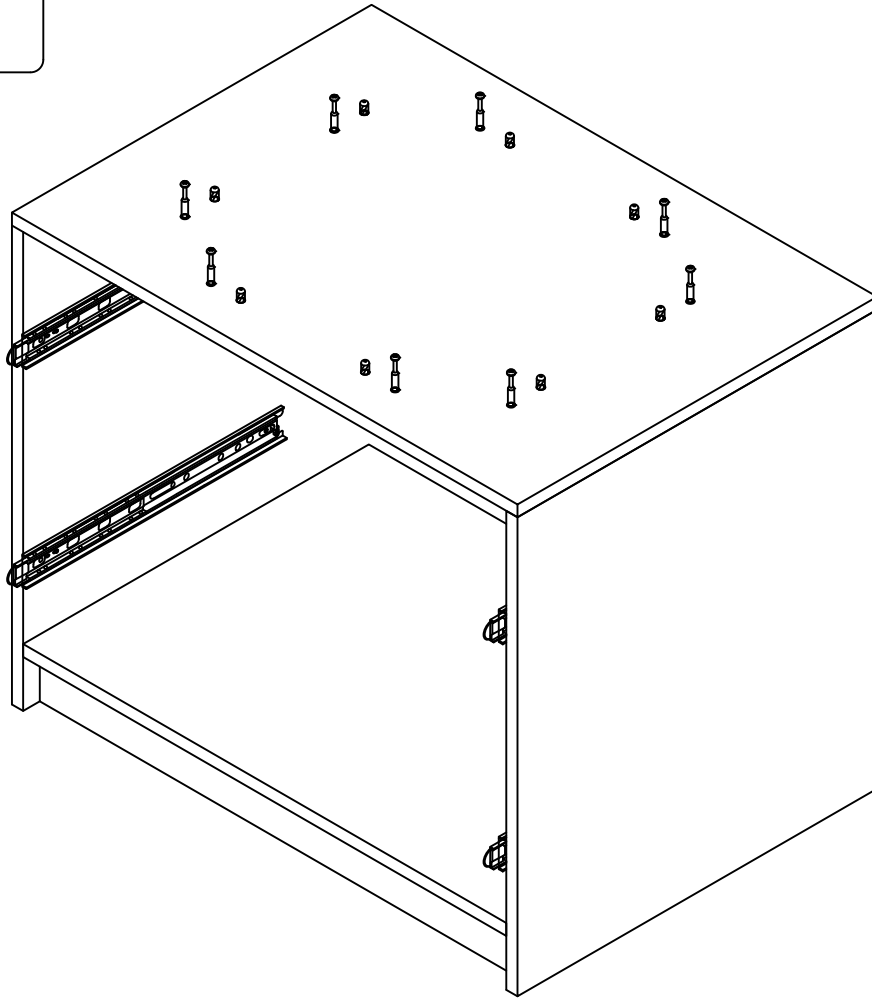
# Step 24



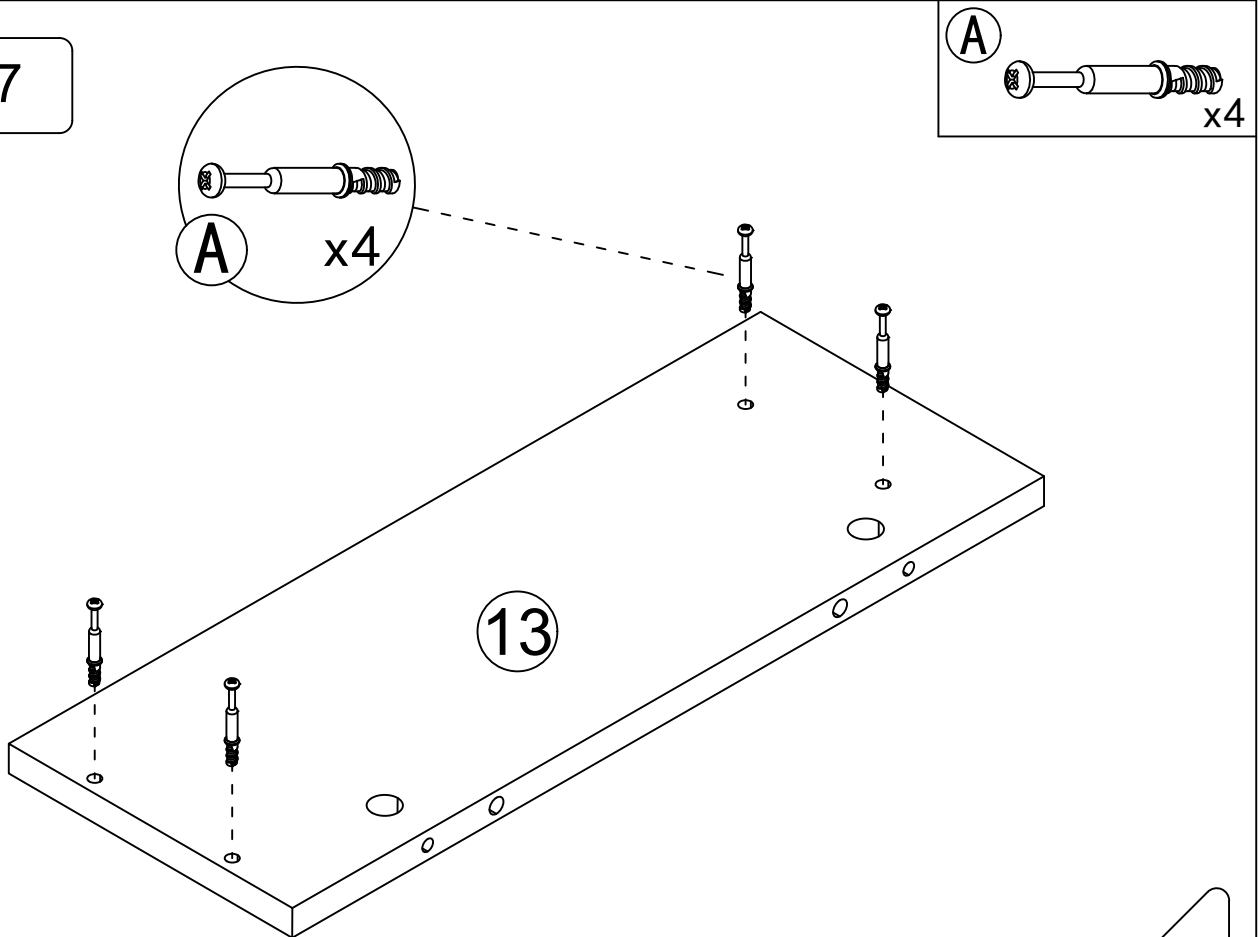
# Step 25



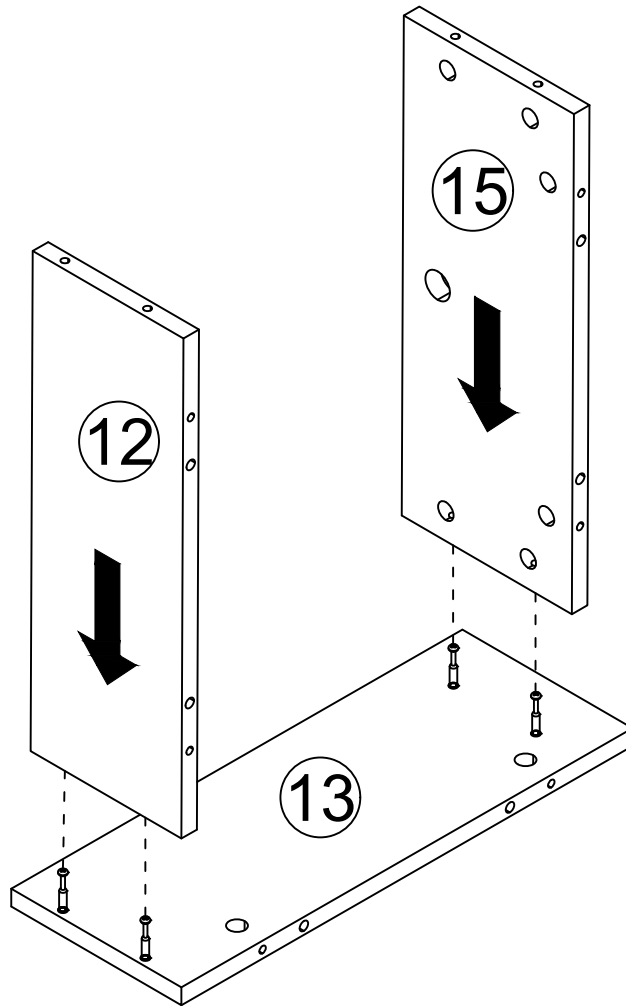
# Step 26



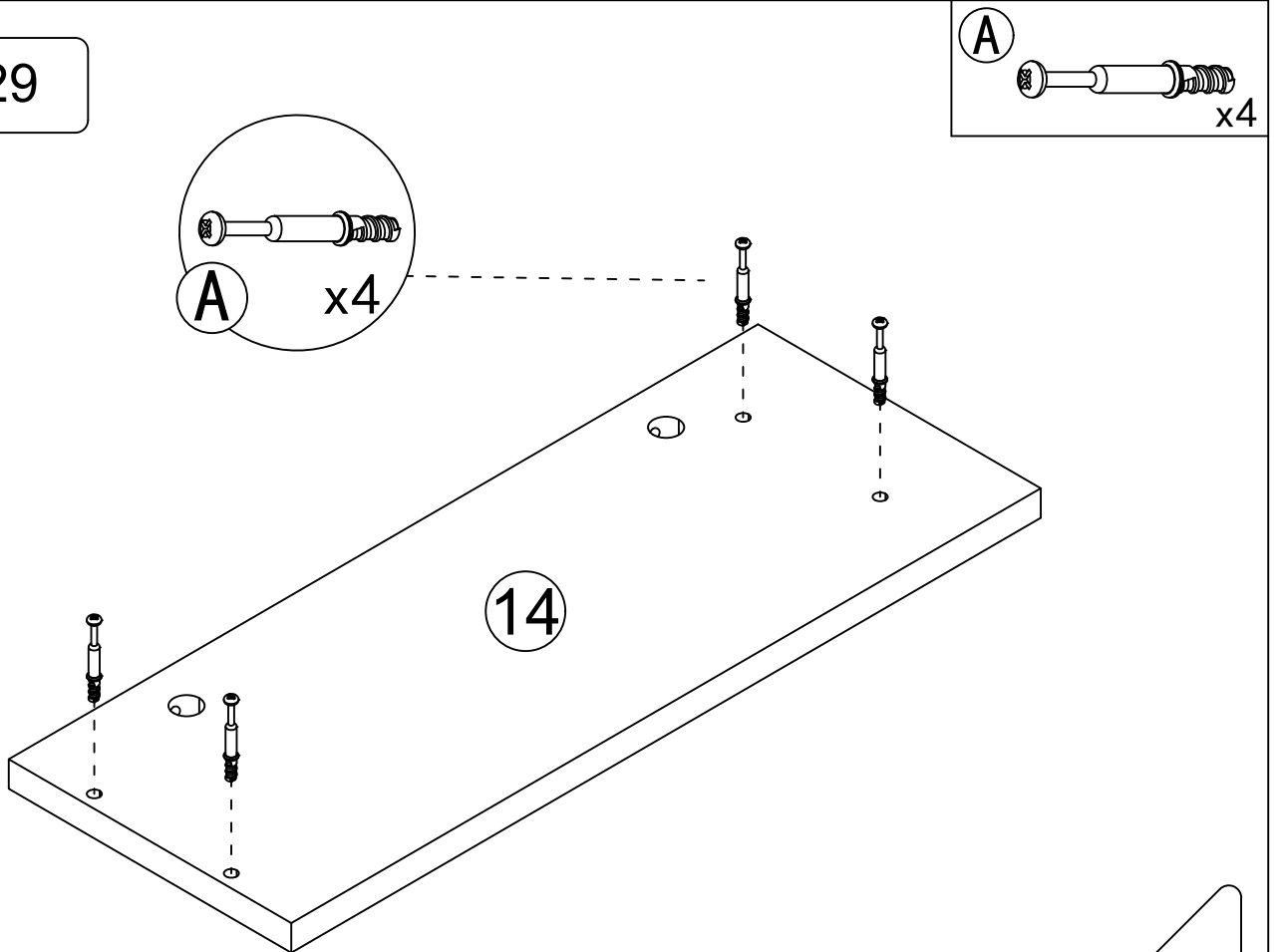
# Step 27



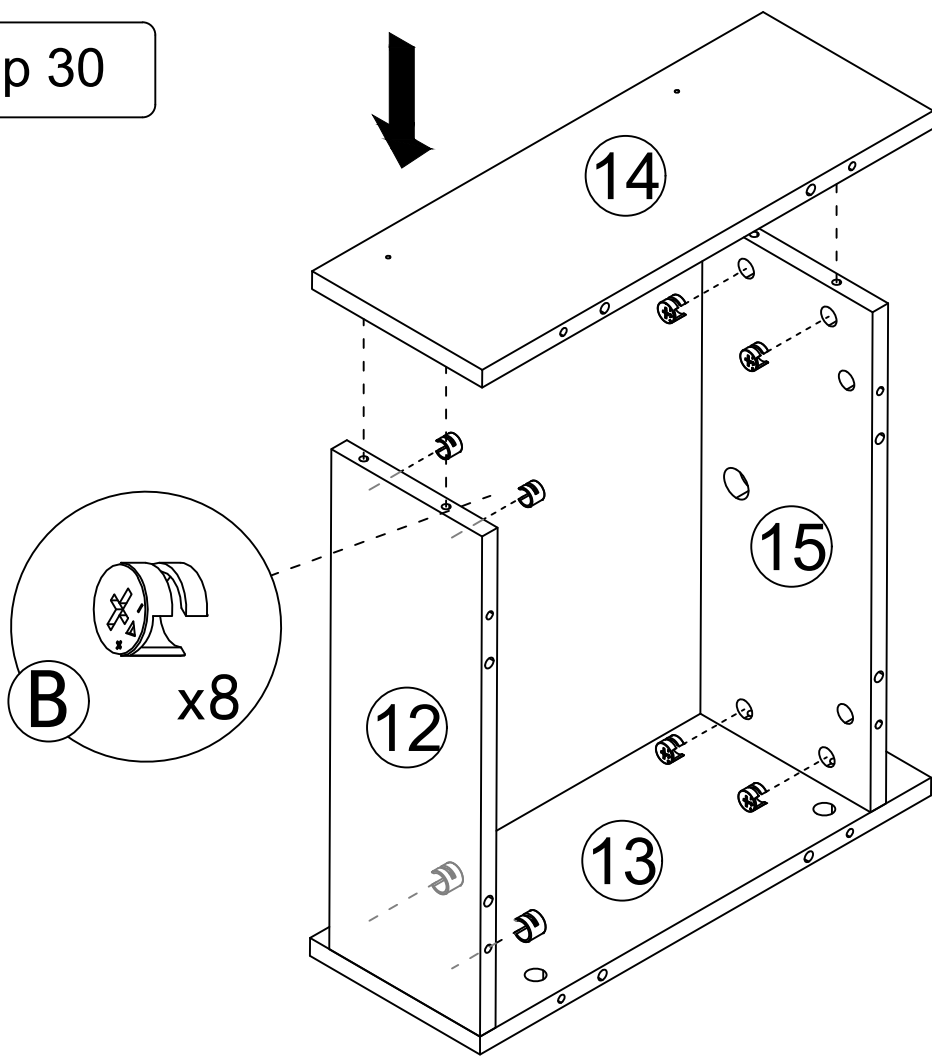
Step 28



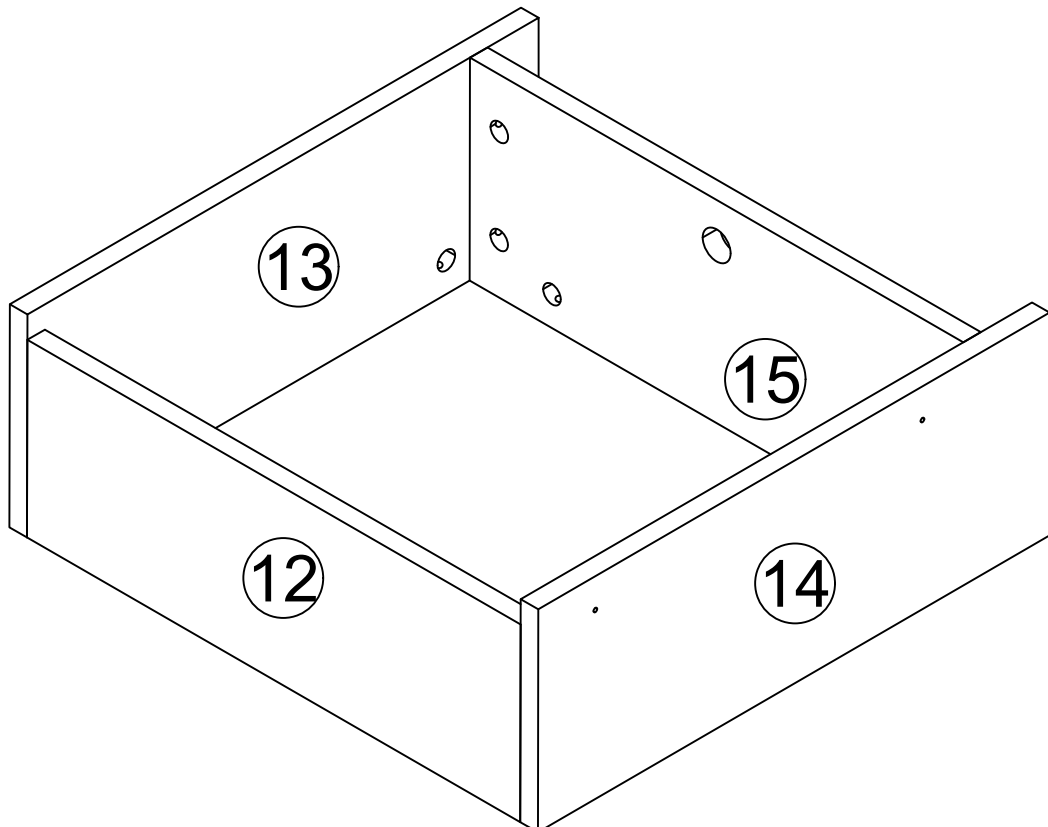
Step 29



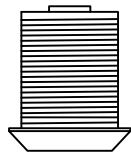
Step 30



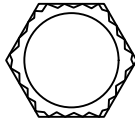
Step 31



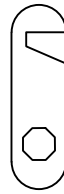
# The decomposition of the lock



①



②



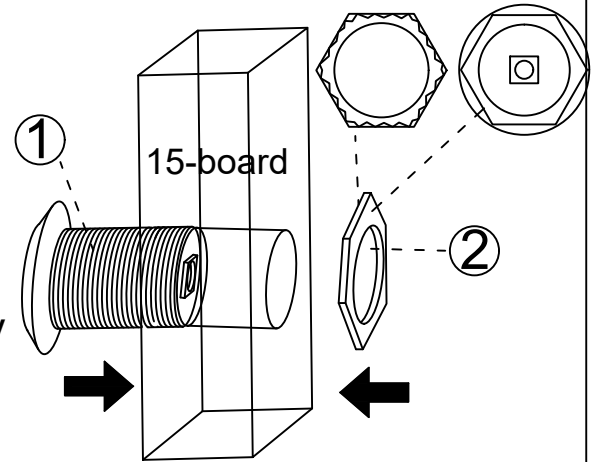
③



④

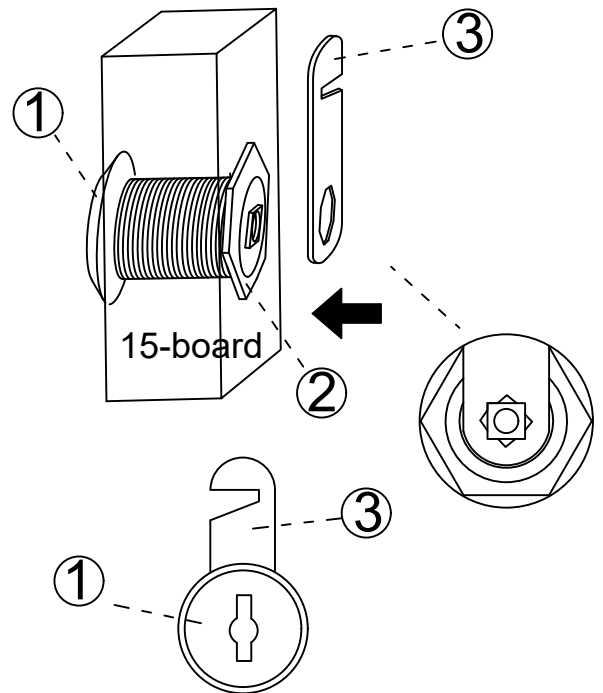
## Step 1

1. Facing the direction of the keyhole position with the teeth, clamp the wooden board tightly
2. Insert part 1 into the hole of the K plate first, and then lock the hex nut



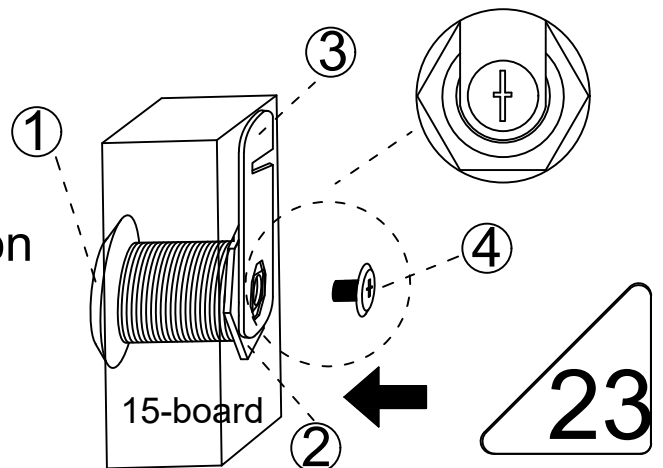
## Step 2

1. Clip part 3 into the tail of part 1
2. The hole position of the key and the direction of the iron plate are the same

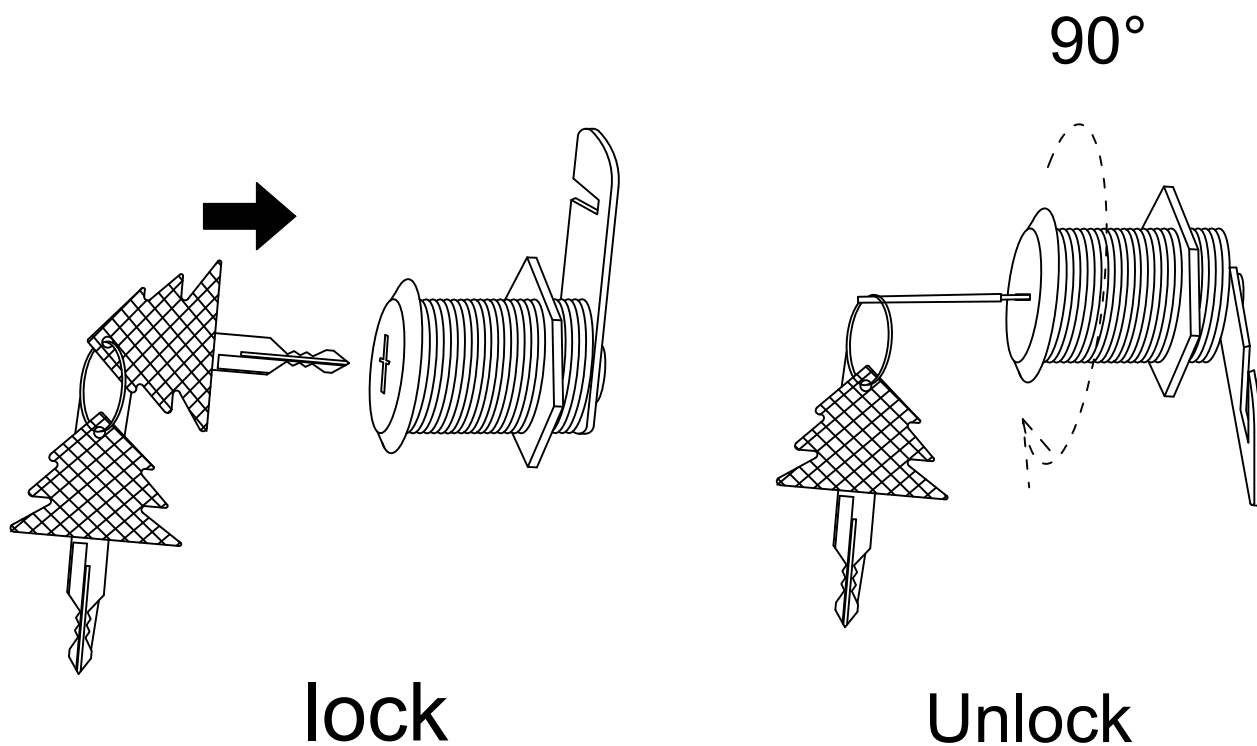


## Step 3

1. Twist screw 4 into the hole position at the tail of 1

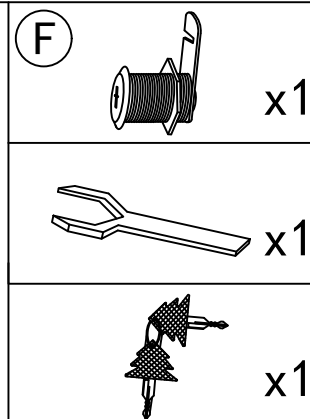
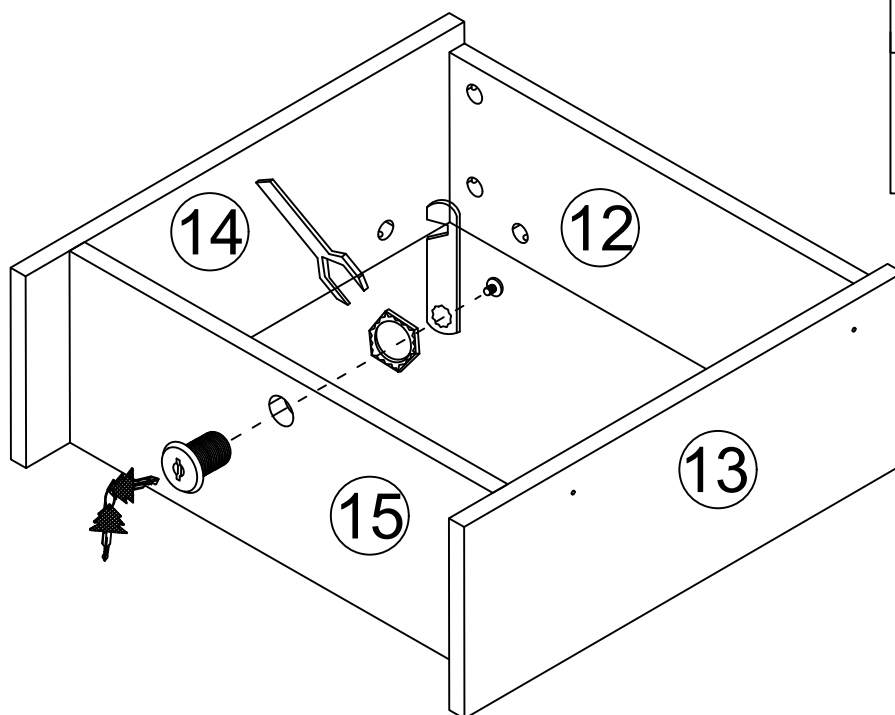


# Unlock steps



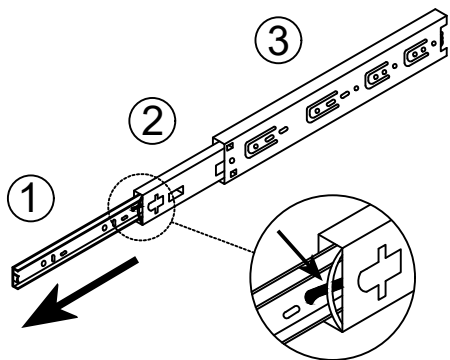
## Step 32

Pay attention to the direction of the hole position



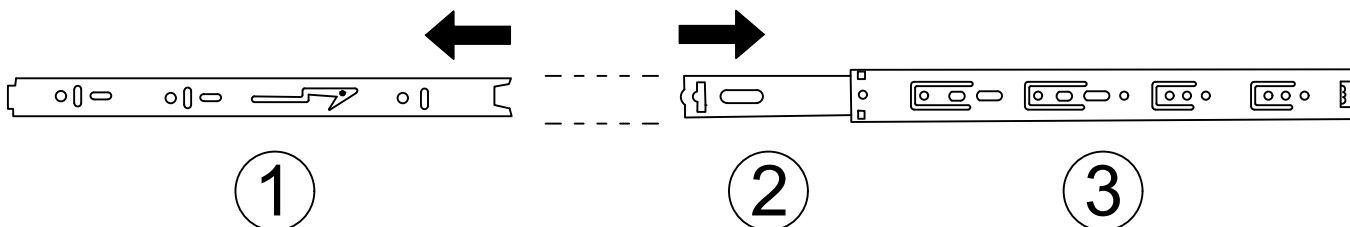
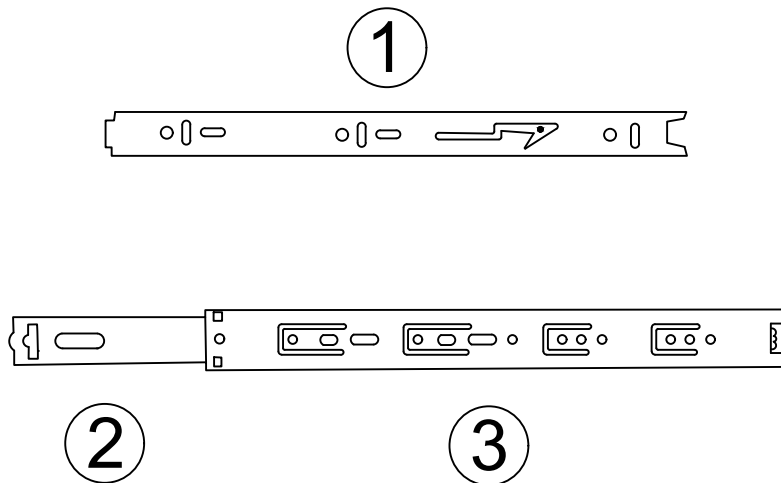
Lock the hex nut with a wrench

Drawer rail breakdown diagram

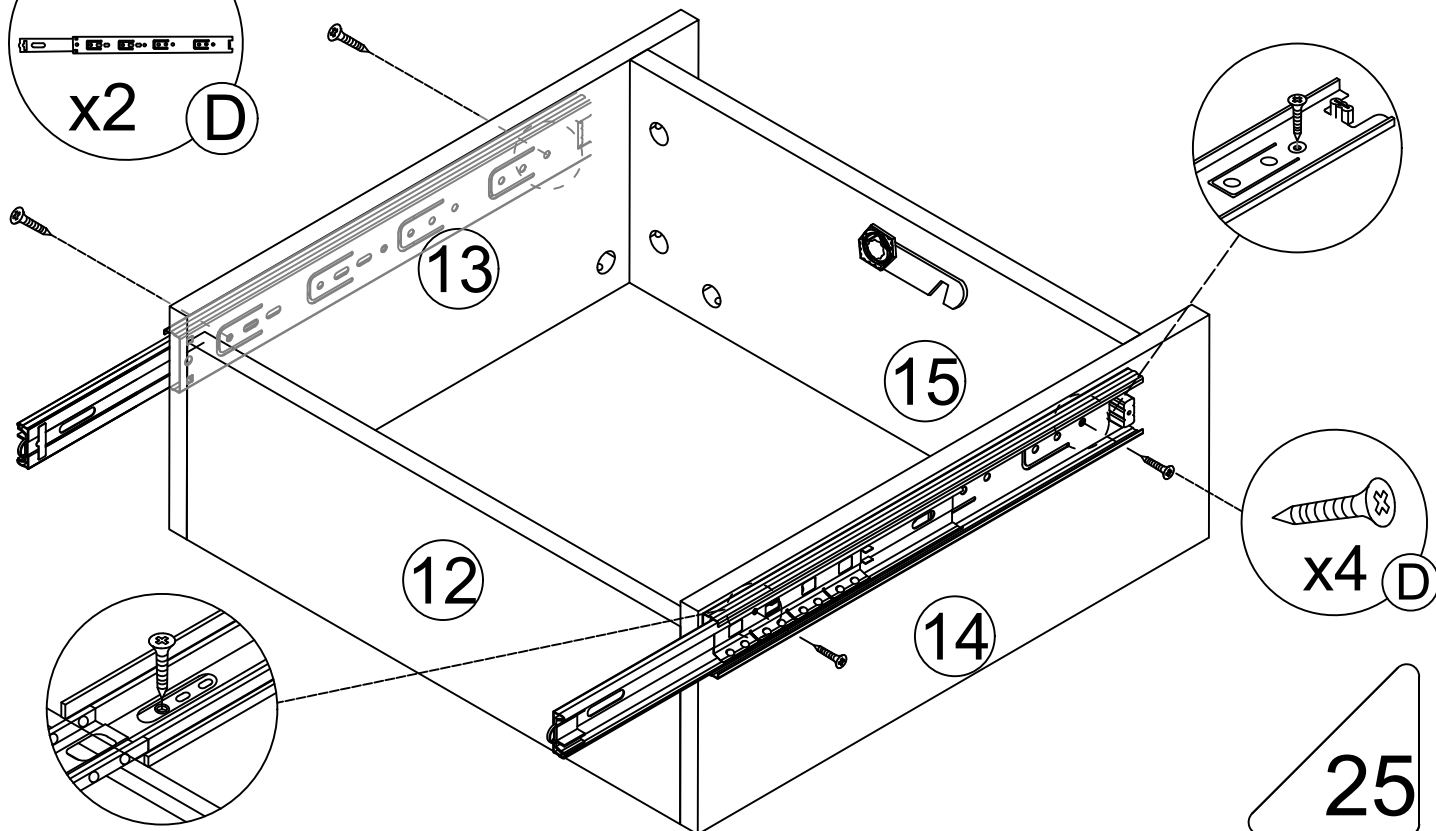
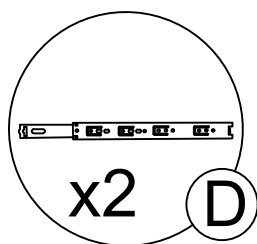
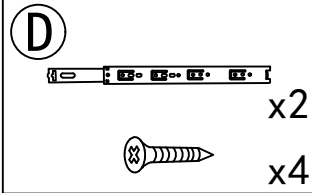
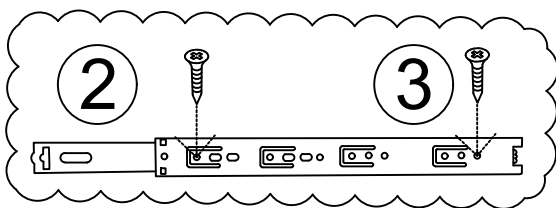


Step 1 : Pull the rails apart

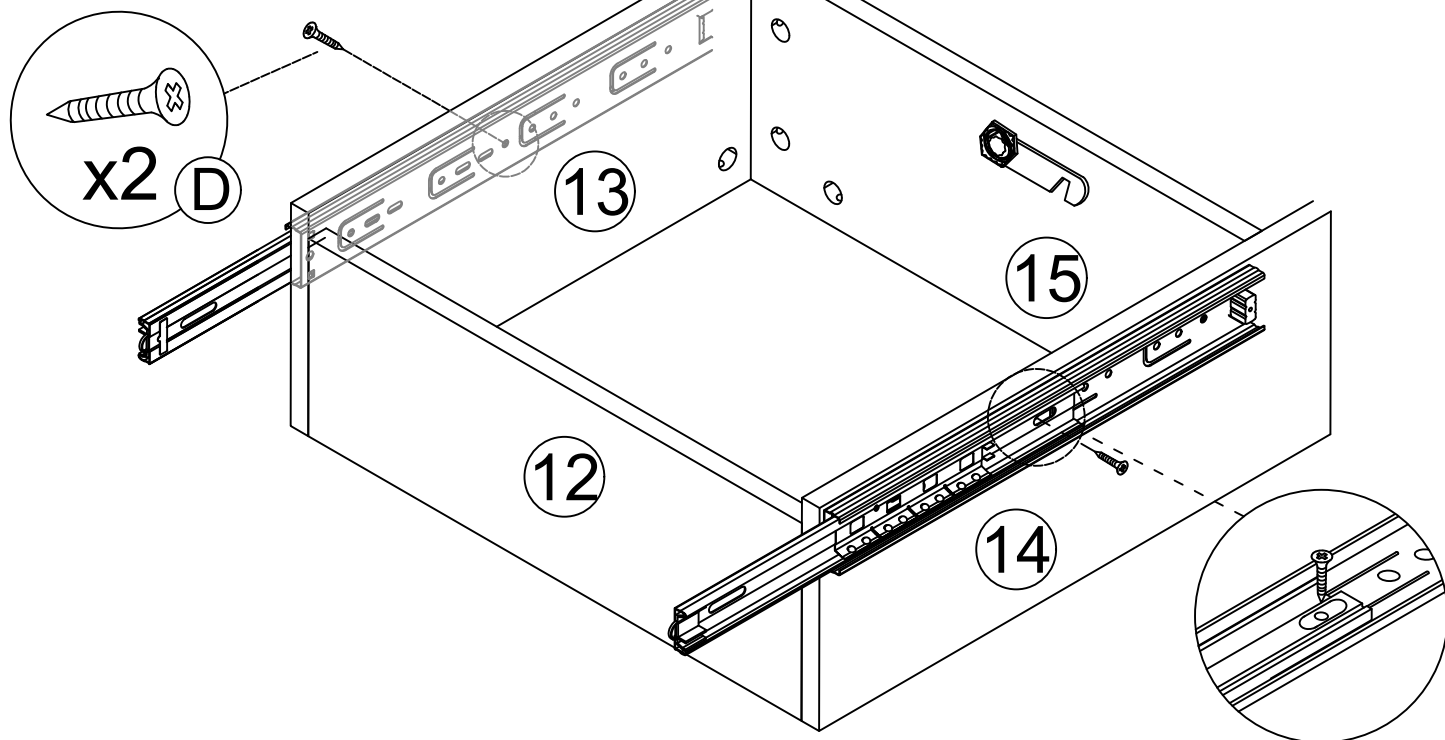
Step 2 : Push the nylon buckle outward ①



Step 33

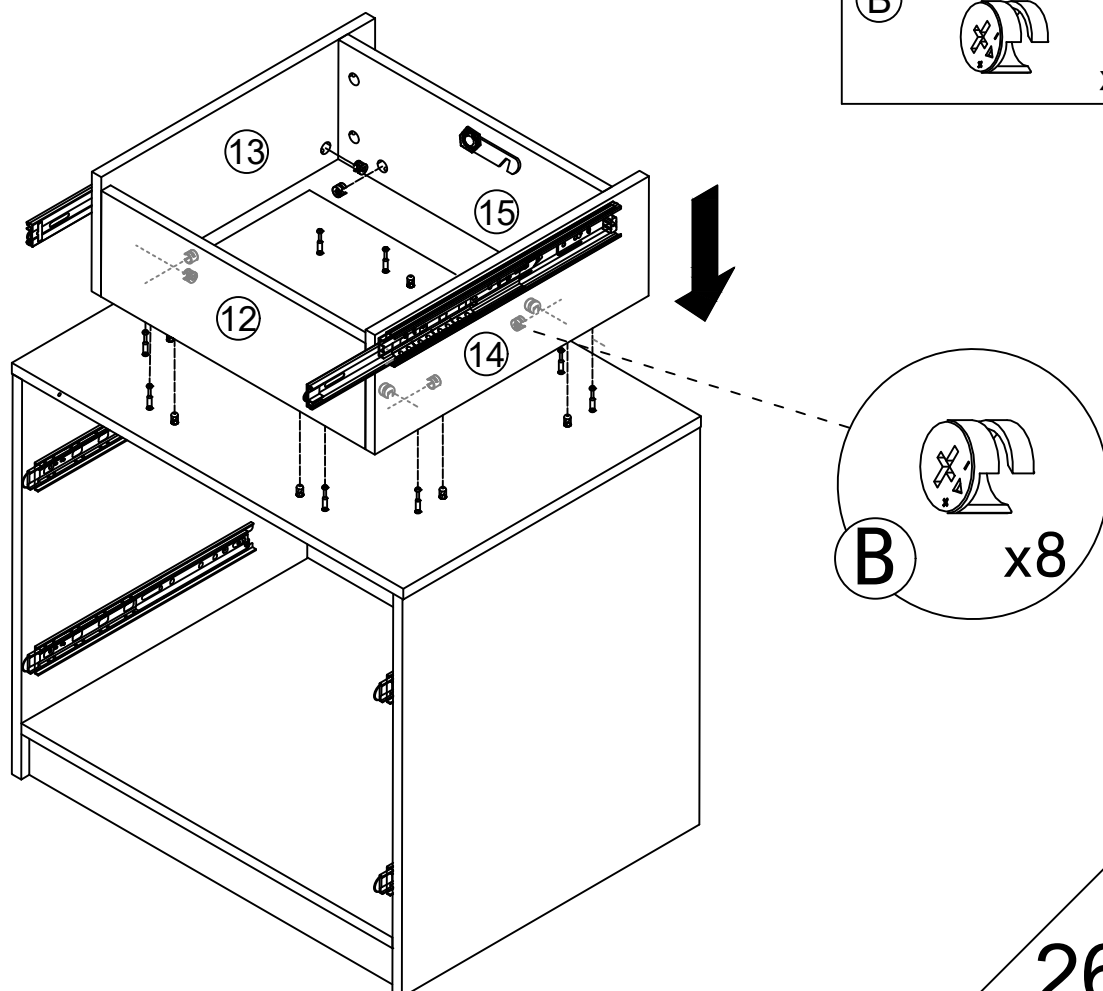
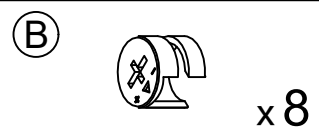


### Step 34

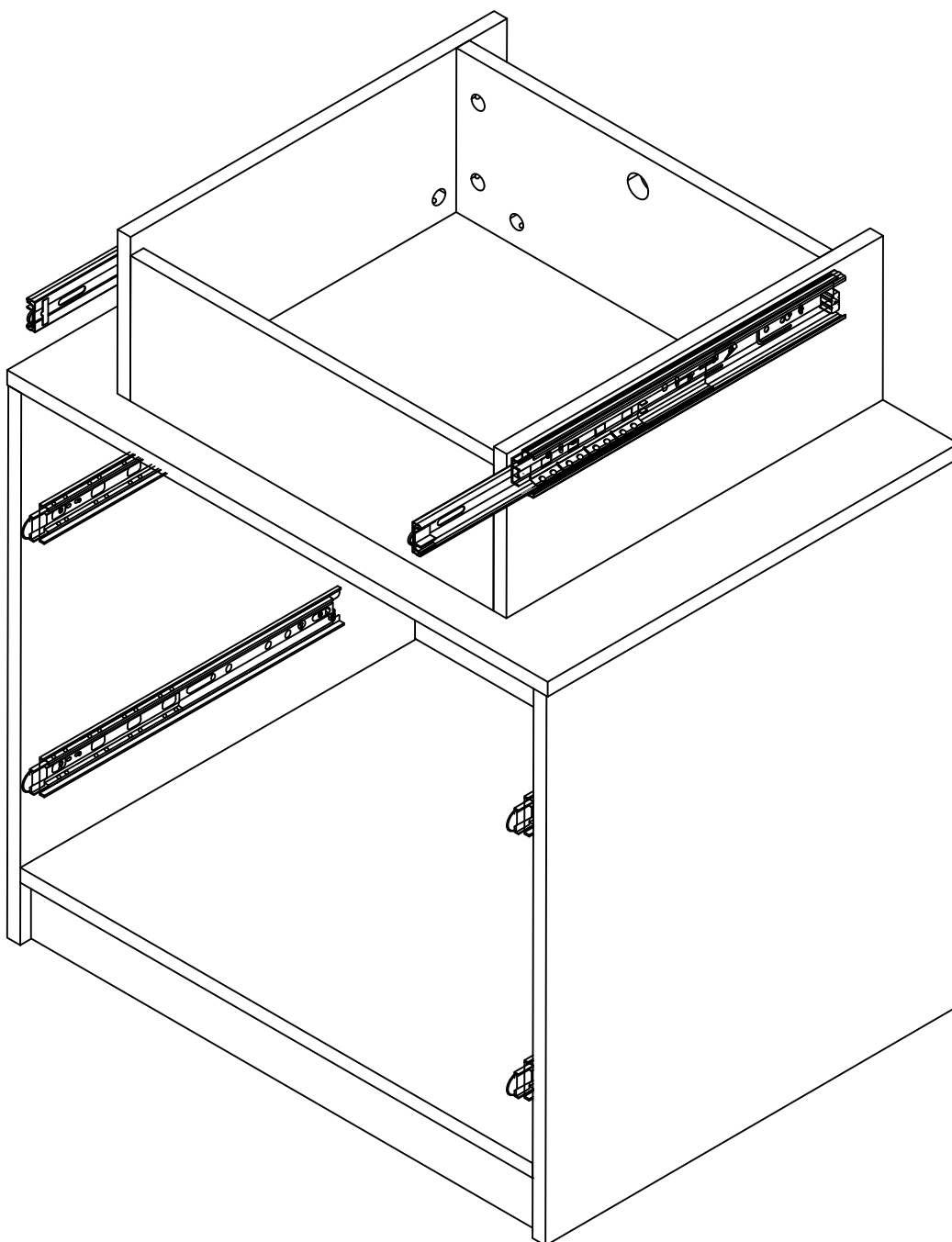


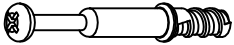


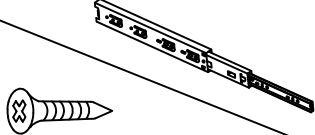
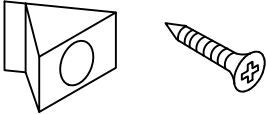
This hole is for strengthening fixed hole customers can choose to install according to their needs.

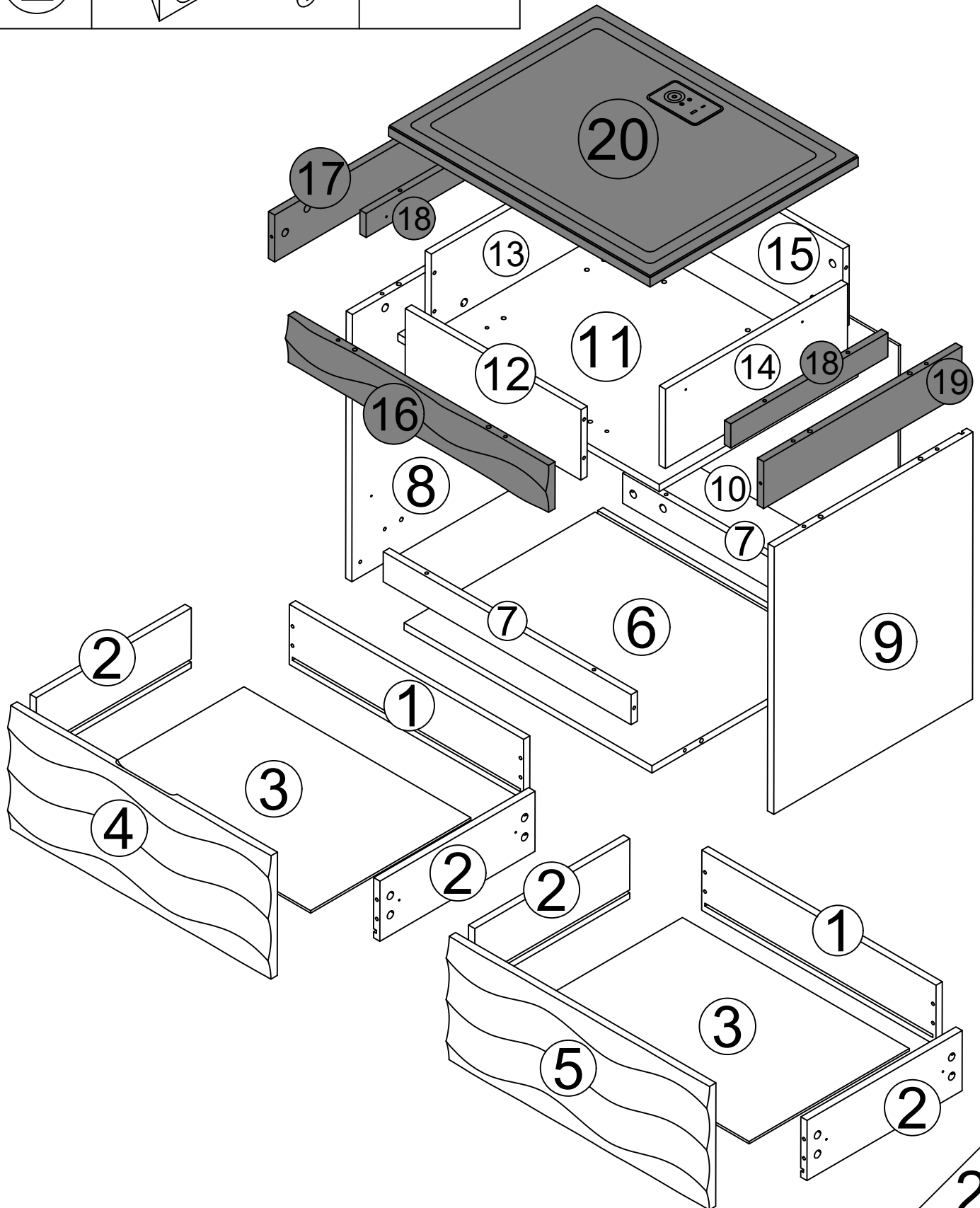
### Step 35



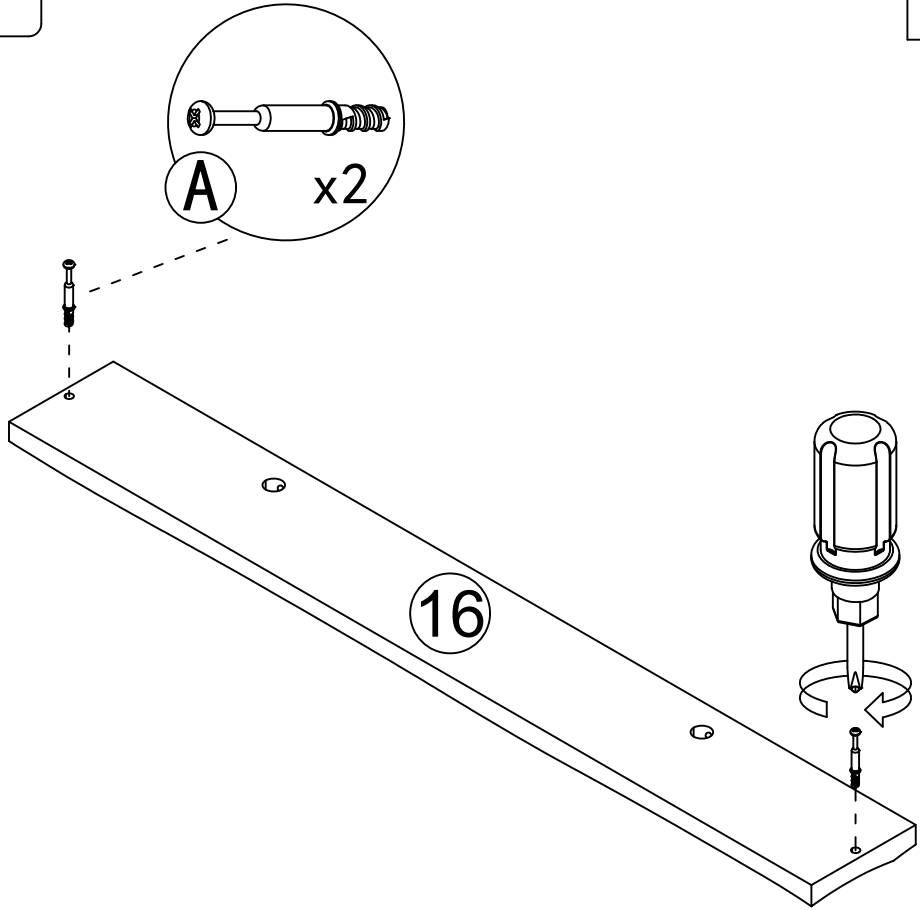
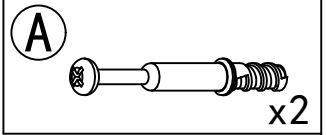
Step 36



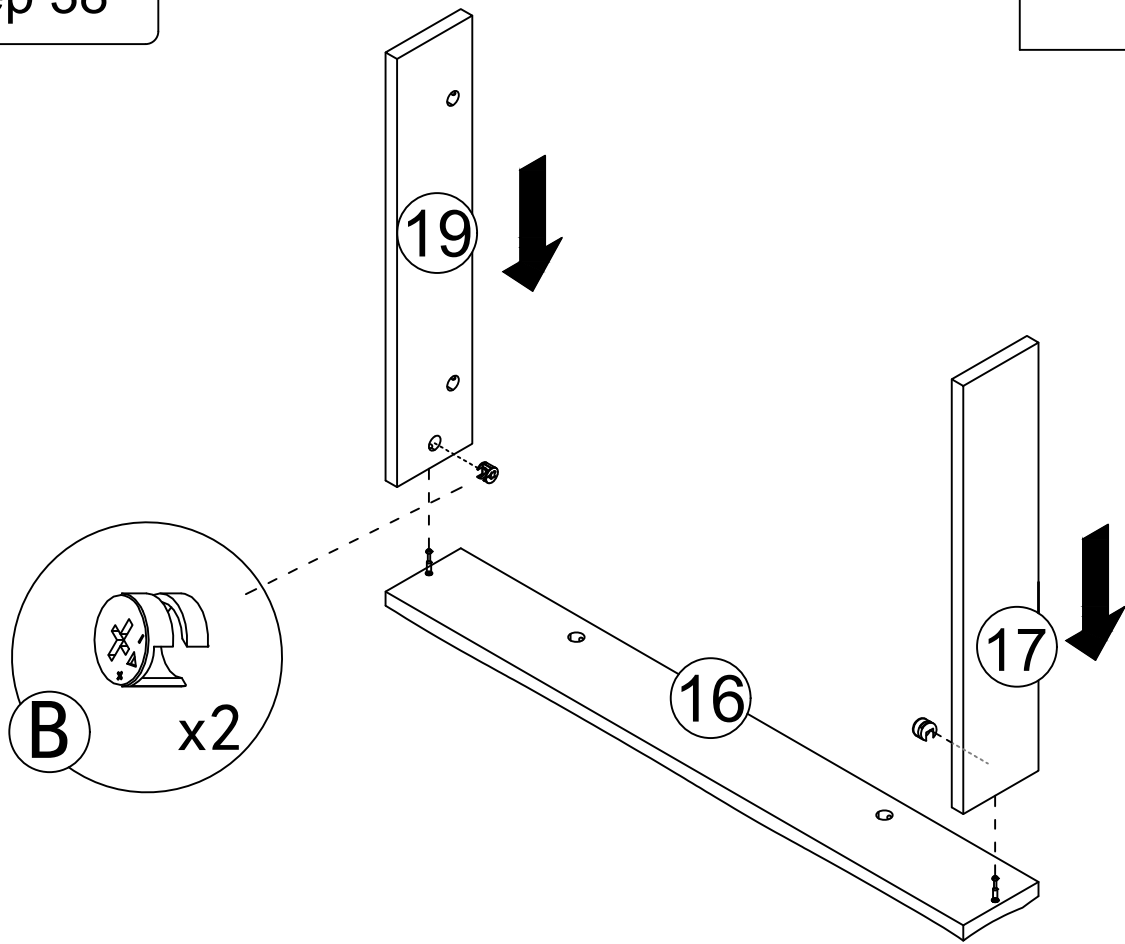
A		12pcs	C		6pcs
B		12pcs	D		2pcs 4pcs
E		4pcs			



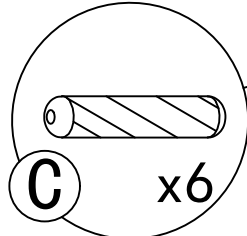
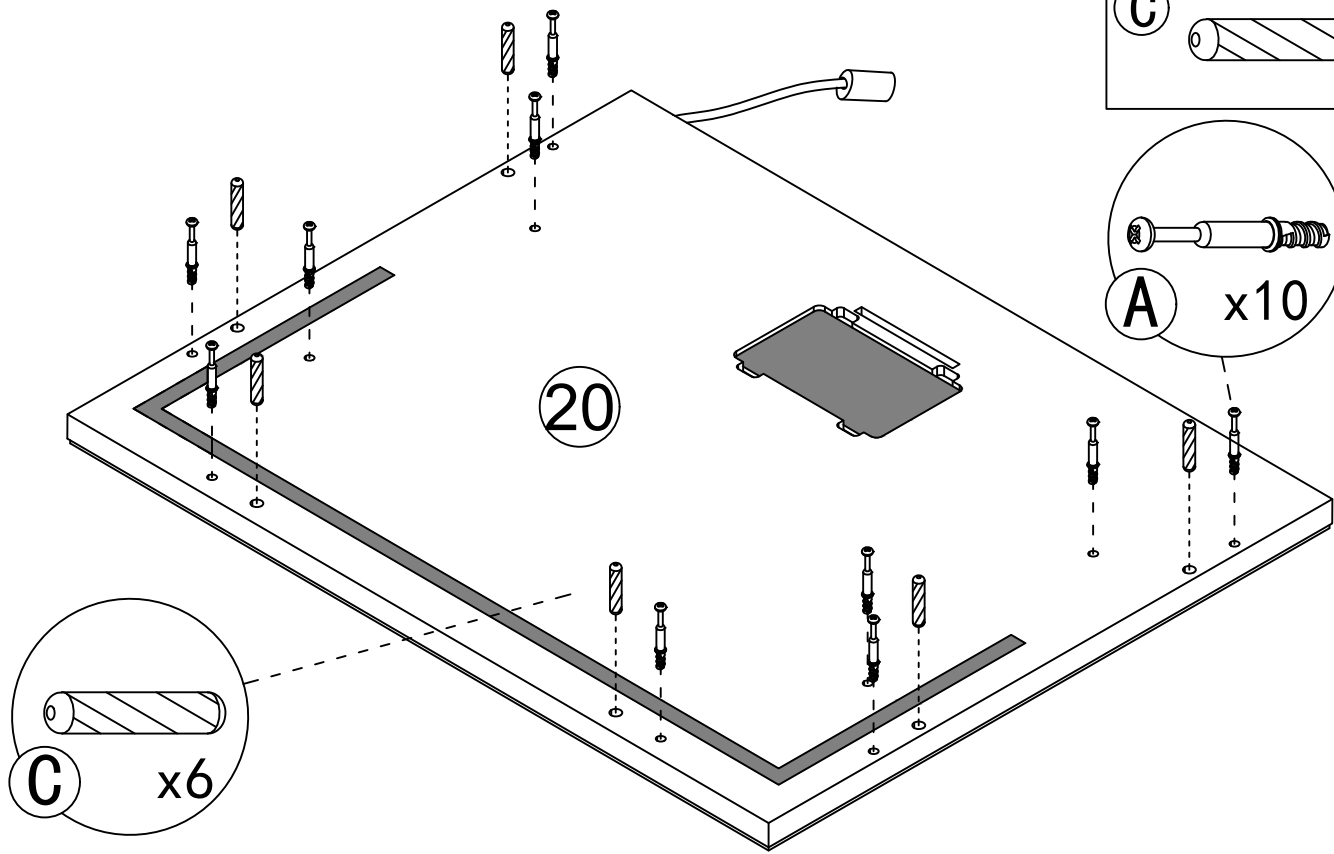
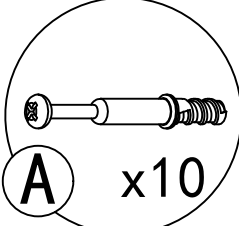
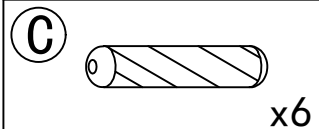
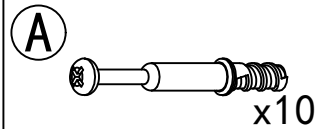
Step 37



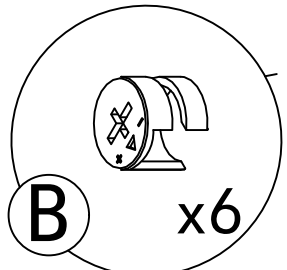
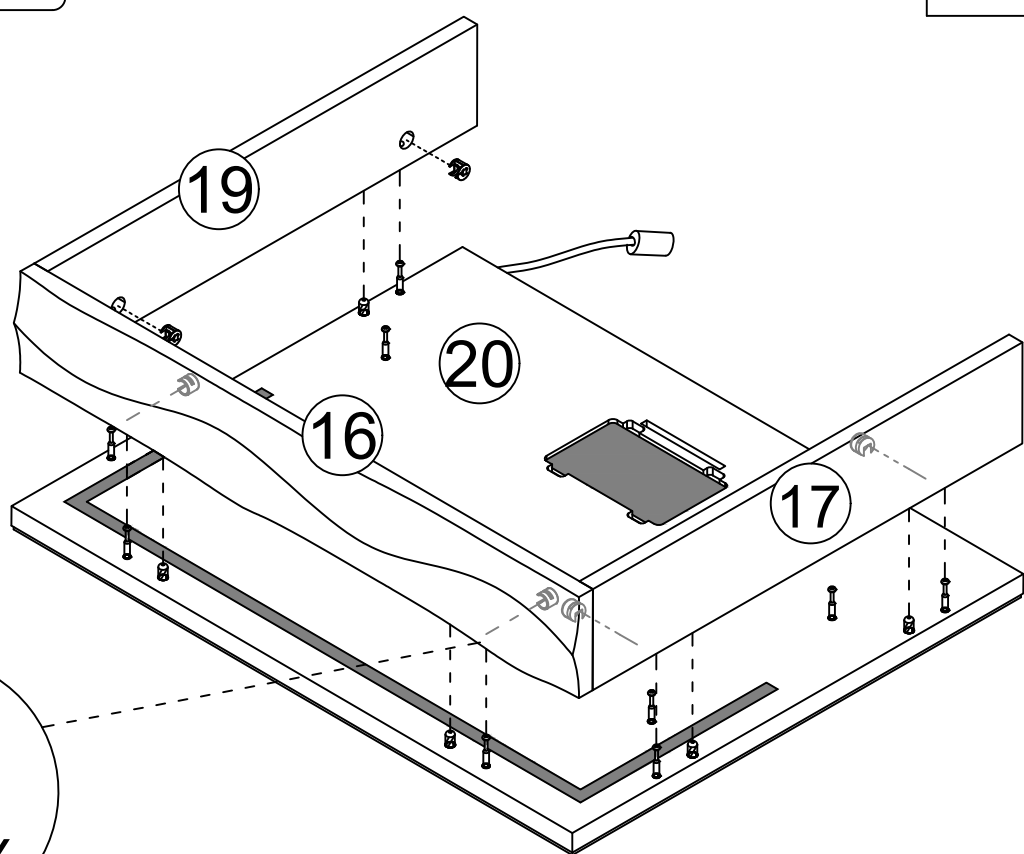
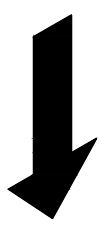
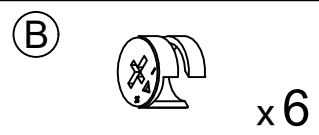
Step 38



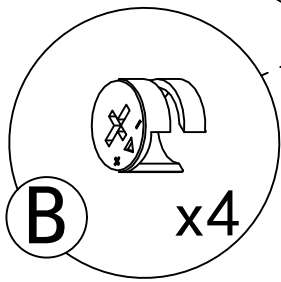
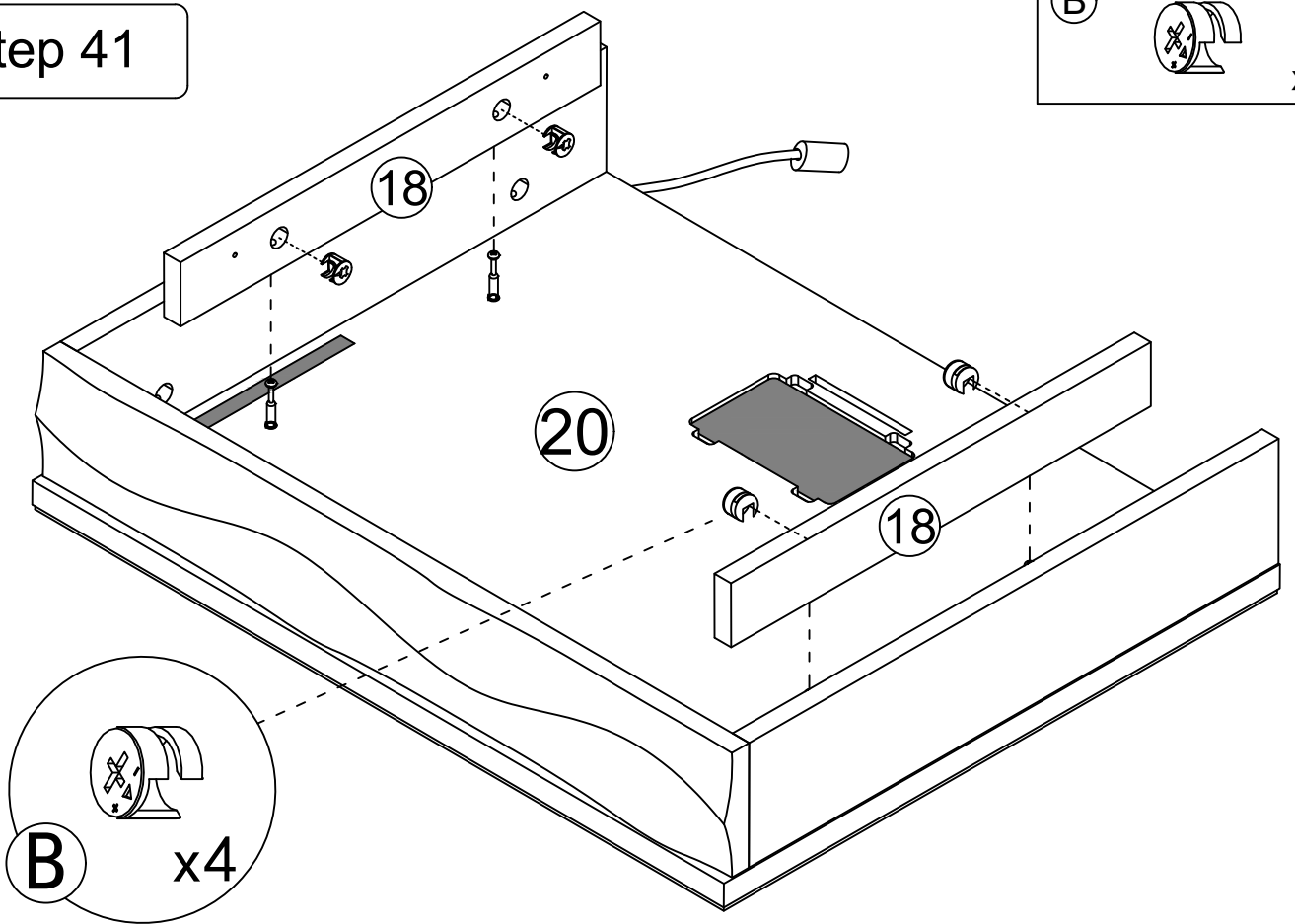
# Step 39



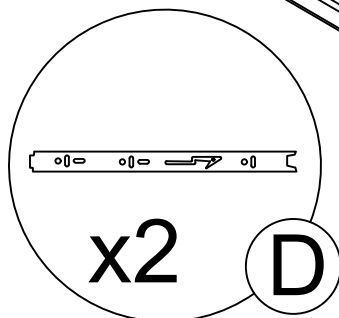
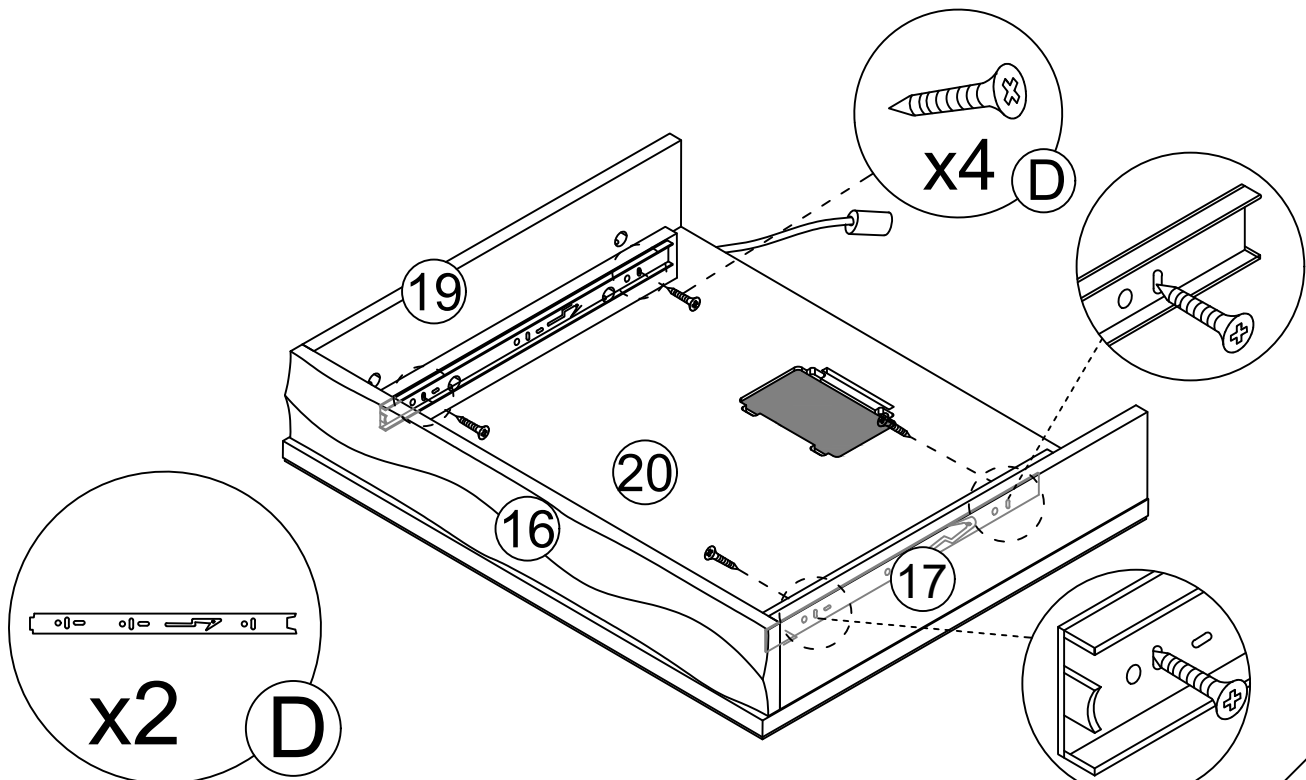
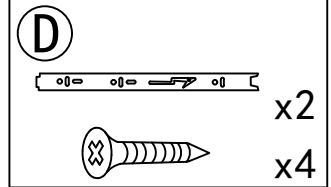
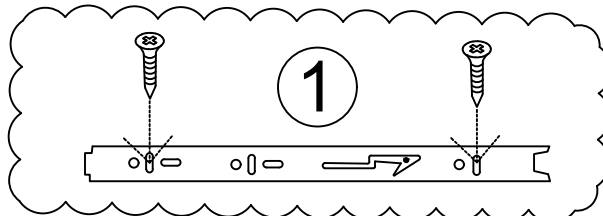
# Step 40



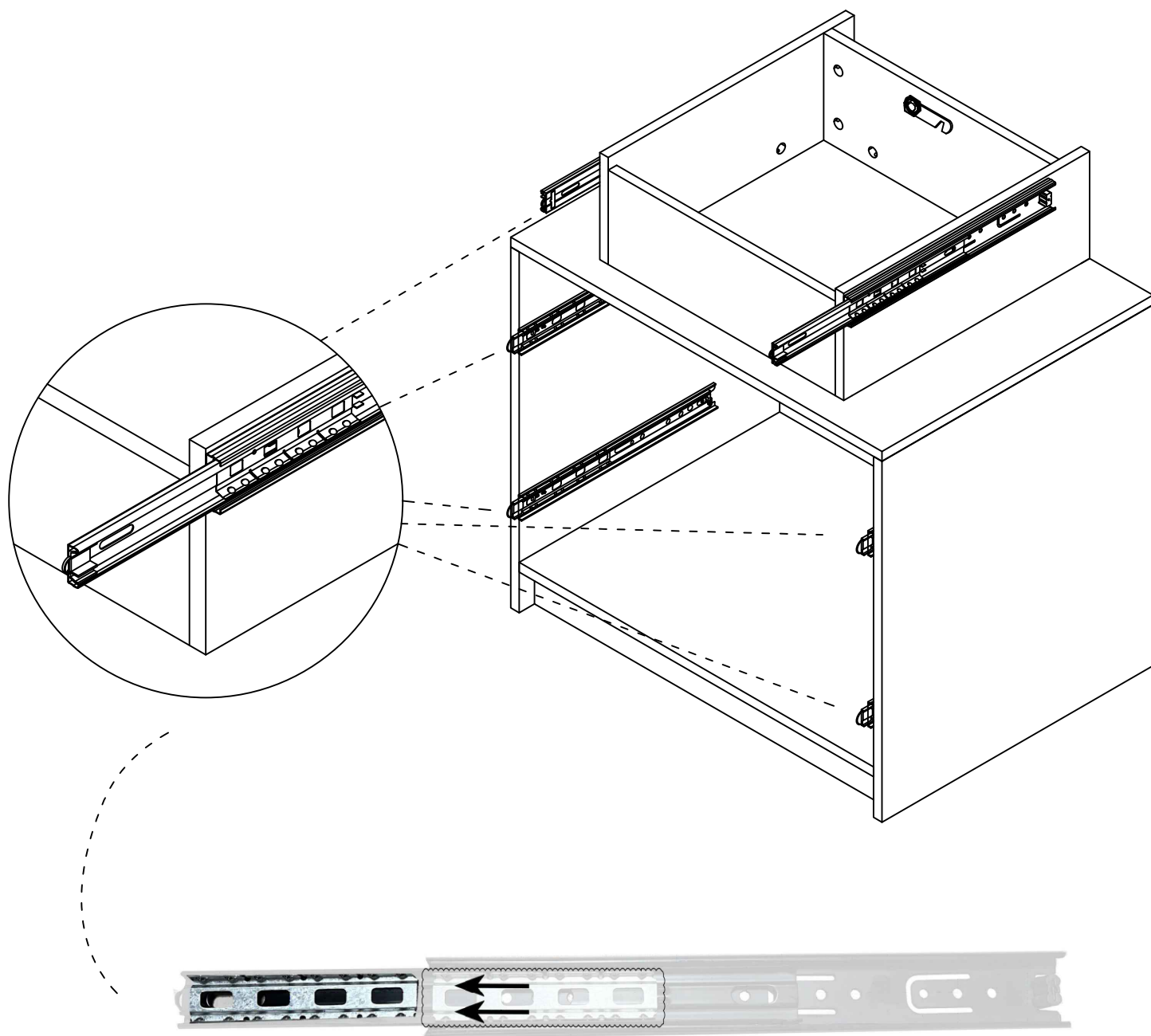
Step 41



Step 42

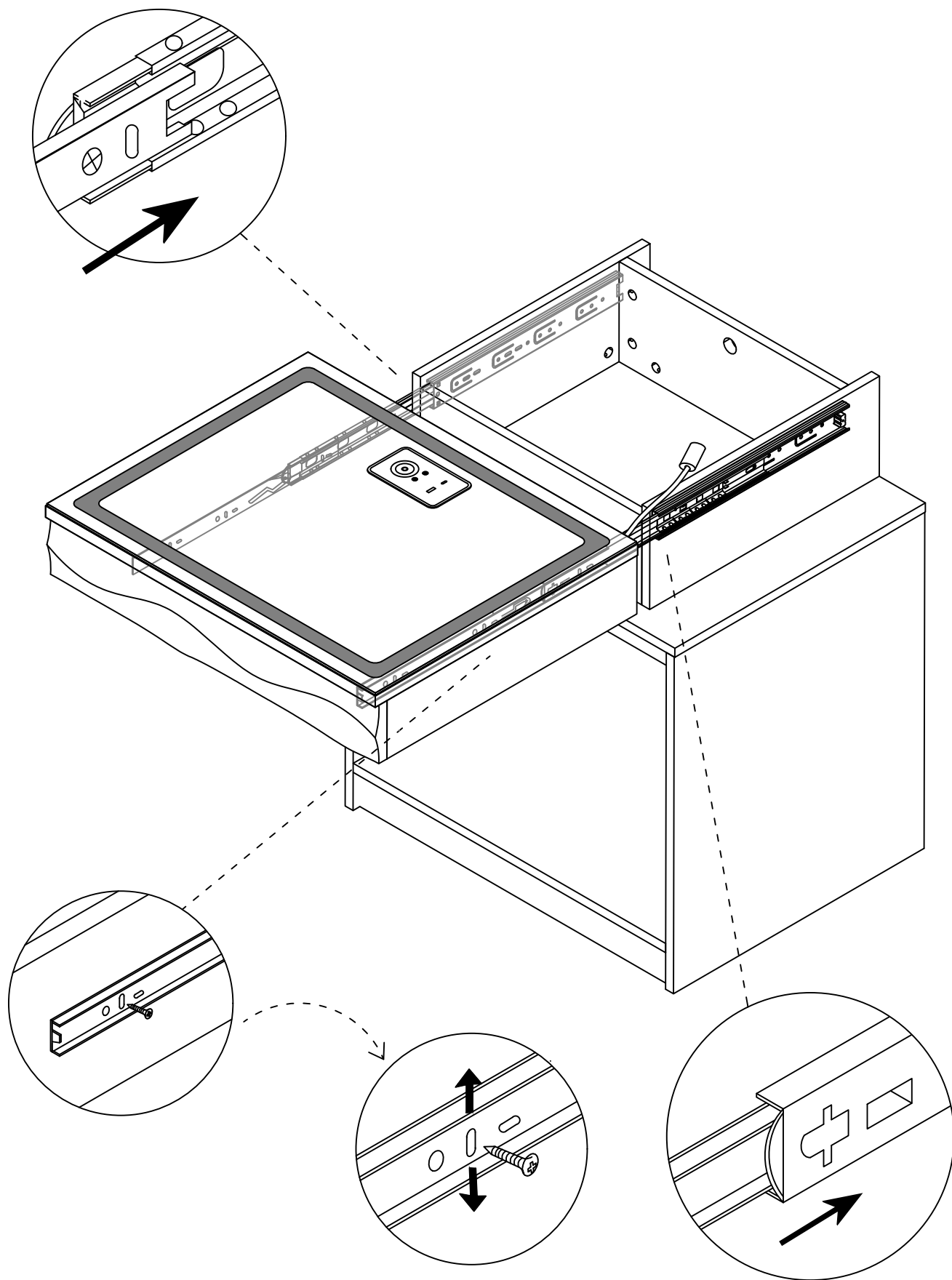


## Step 43



As shown, When installing the drawer,  
pull the guide rail out first, Slide beads are also pulled out.

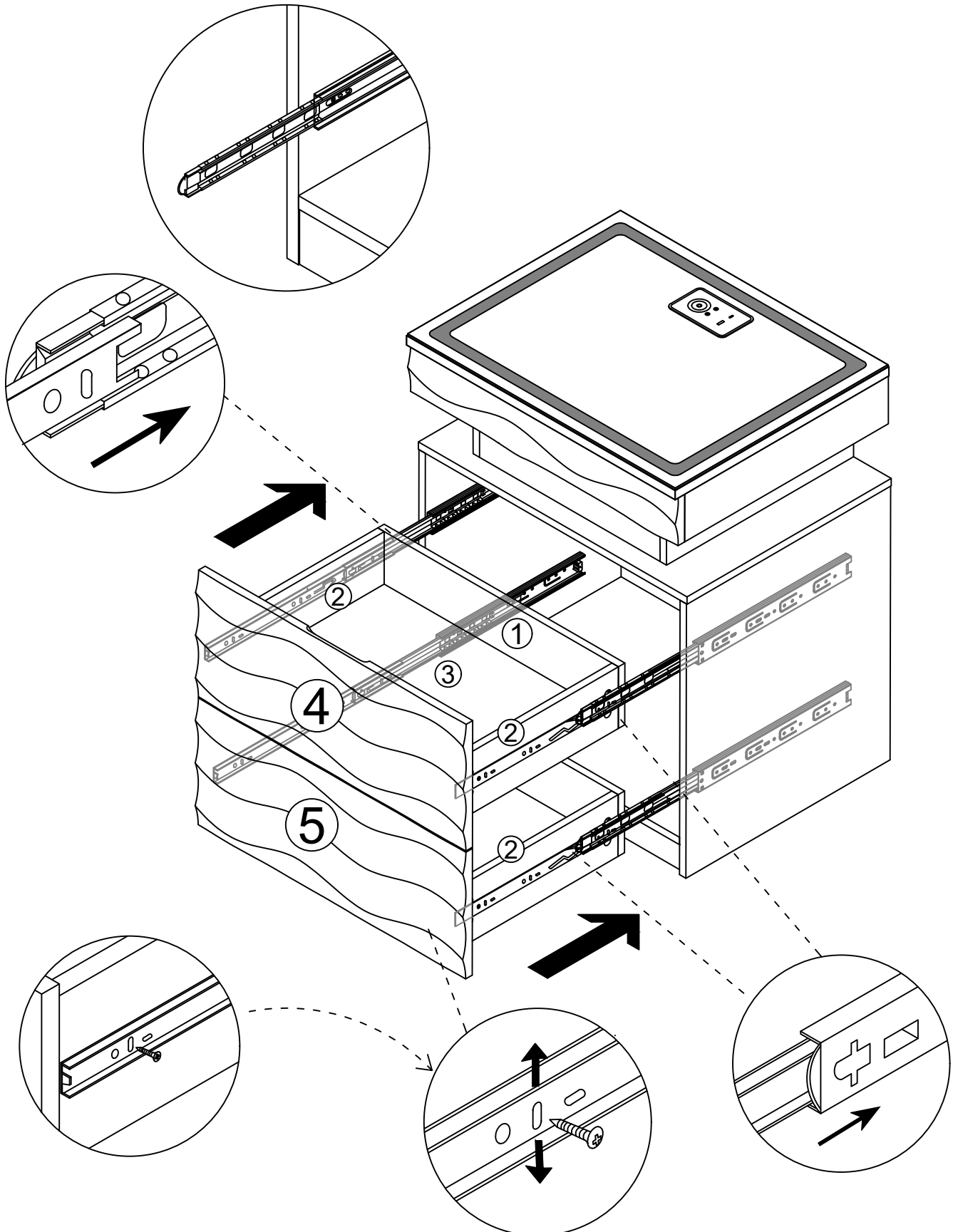
## Step 44



If a large gap is found after installing the drawer the slide rail can be moved up and down to adjust the gap.

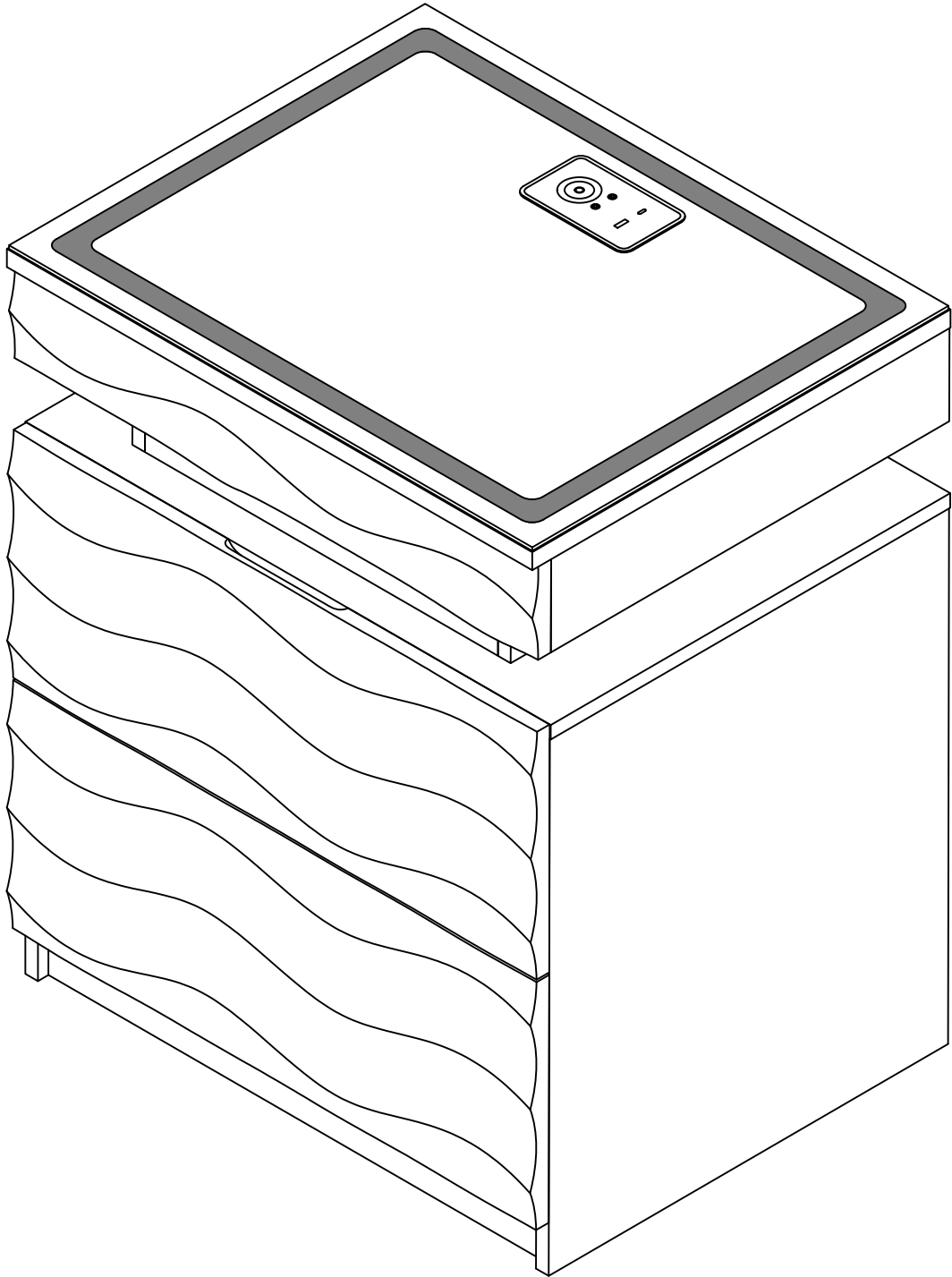
## Step 45

As shown, When installing the drawer, pull the guide rail out first, Slide beads are also pulled out.

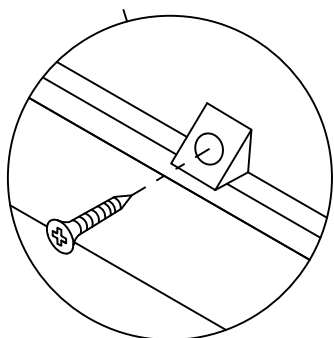
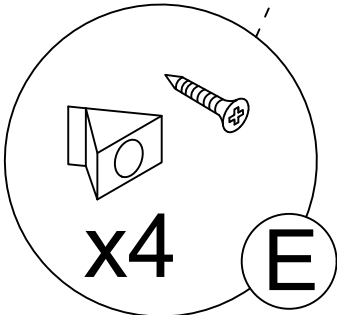
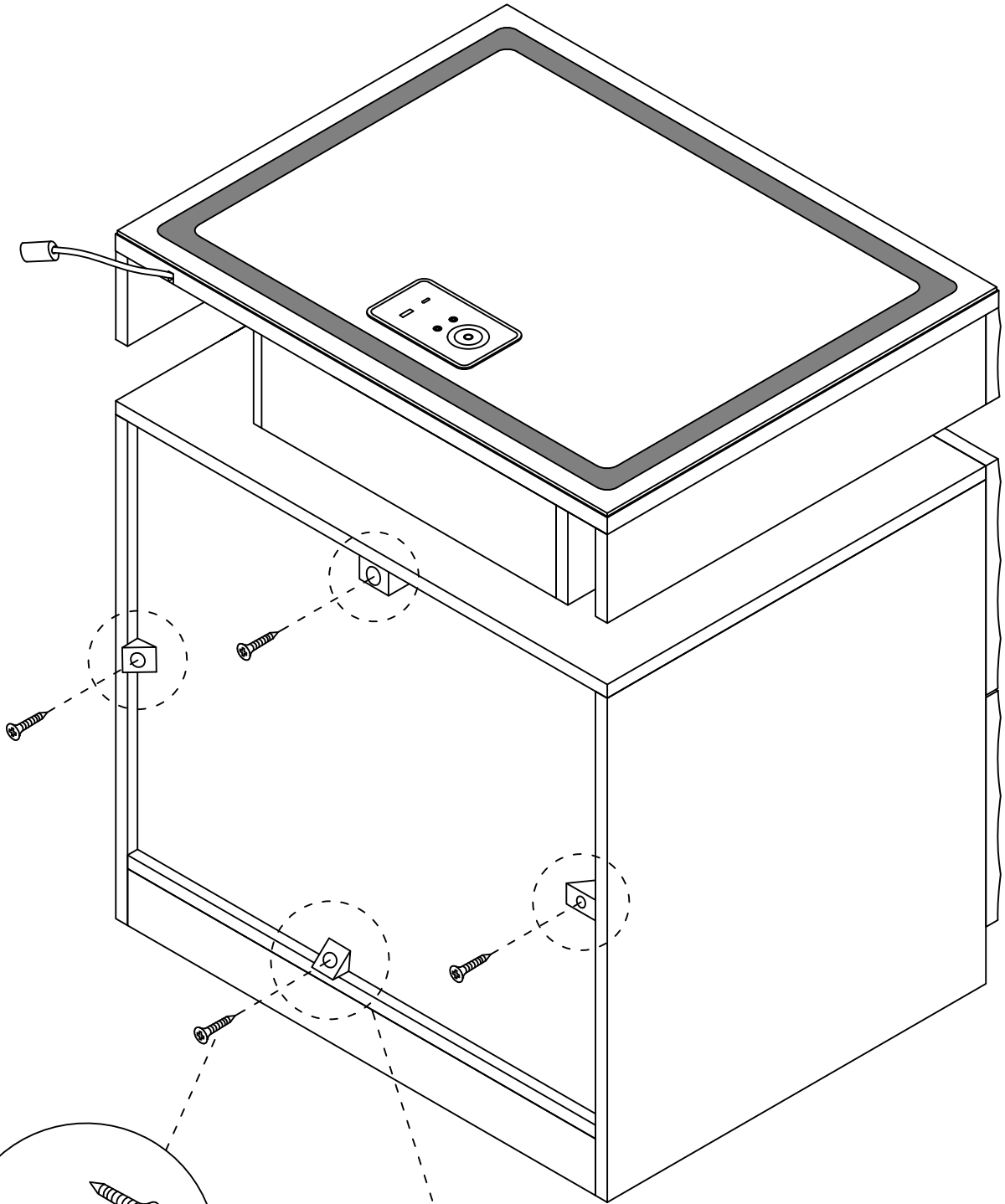
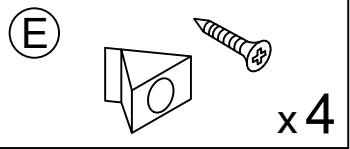


If a large gap is found after installing the drawer the slide rail can be moved up and down to adjust the gap.

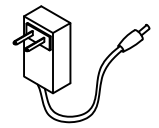
Step 46



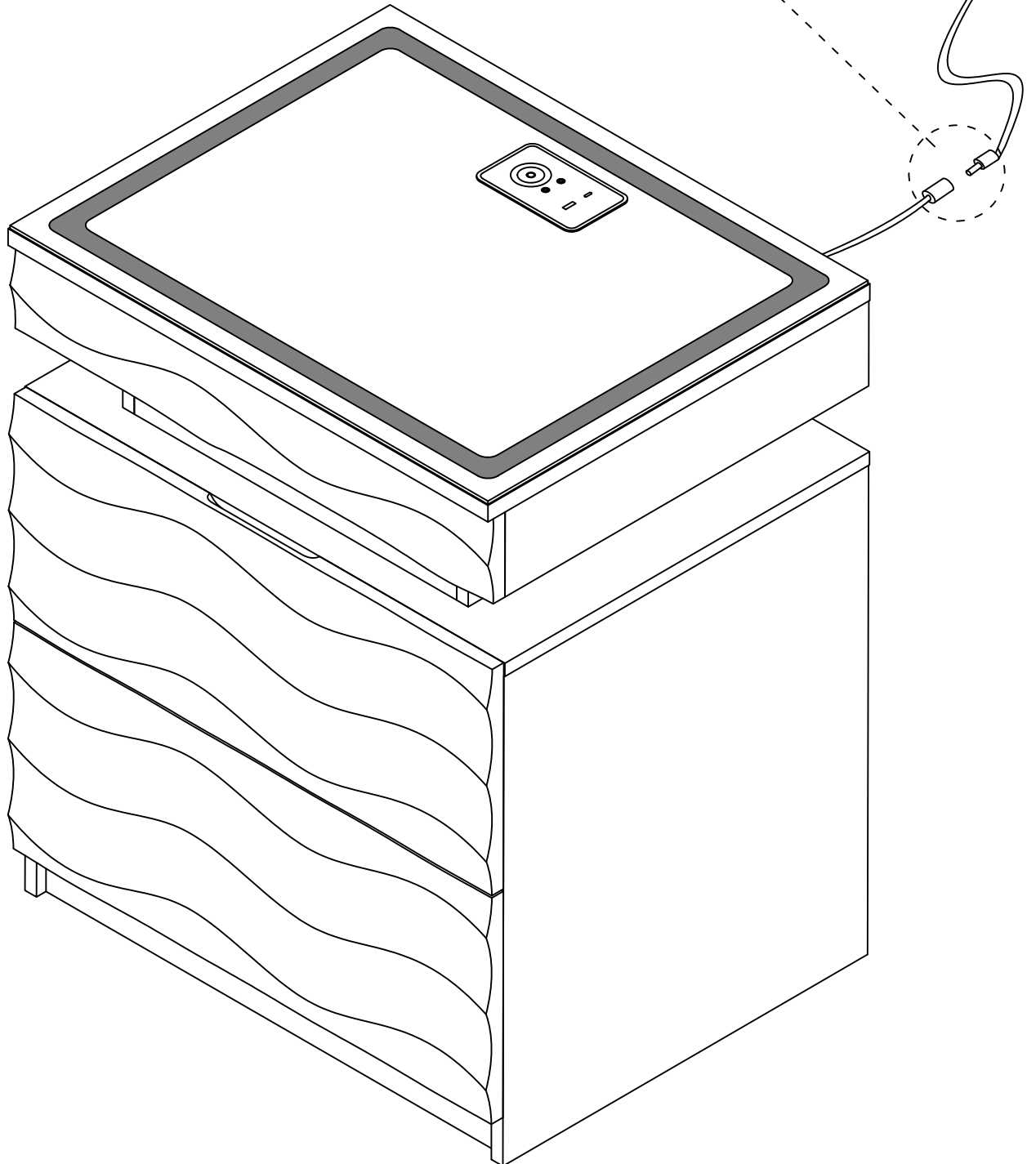
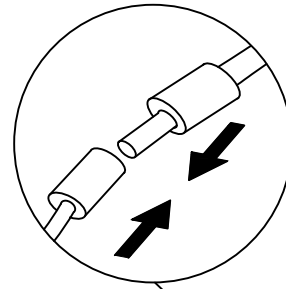
Step 47



Step 48



x1



## User's Guide

Thank you for purchasing this product.

To use this product, please connect it to a power source.

Please use if the product works normally after connecting to power.

If bubbles appear on the panel, remove the protective film.

## Introduction

The box is an intelligent controller.

It has 1 USB output port 1 Type-c port, with 3 touch buttons and a touch ring, it can and turn ON/OFF the induction function,

turn ON/OFF the light, adjust the light luminance, and change light colors.

The lights can be controlled through both the touch buttons and a dedicated app.



Scan code to download app

## Operation

This touch button is used to turn the light on/off, adjust brightness, and switch the color of the lights.



- i. Single Click: Turn the light on/off.
- ii. Quick Double-Click: Switch between 7 static RGB colors.
- iii. Long Press (2+ seconds): Adjust the light luminance.

This touch button is used to turn ON/OFF the induction function.



Single Click: Turn on (The key press indicator light is on.)

Single Click: Turn off (The key press indicator light is off.)

By default, the human body sensing is enabled upon initial power-on, and the indicator light is on.

This touch button is used to switch dynamic phantom colors.



Single Click: Switch to Phantom Mode, with 5 magical color transformations available.

Light ON/OFF Button

Application QR code

This area is the color switch function, you can click or slide to any color circle position to achieve color switch.



Type-c output port

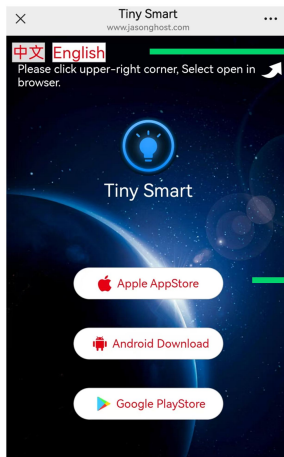
USB output port

Induction Button

## ⚠ ATTENTION PLEASE

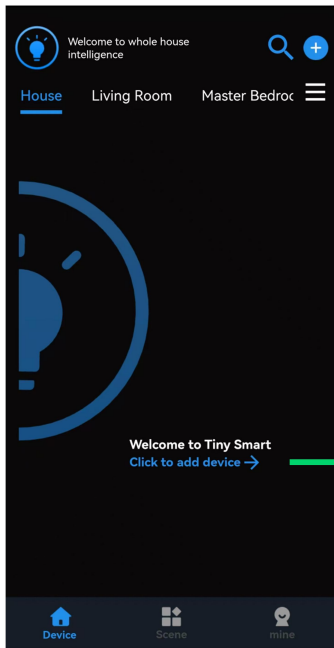
1. If there is no touch response suddenly, Re-plug the power to reset the touch static electricity.
2. If you have any questions when installing, please feel free to contact us. Thank you.

Smart Box Plug Power Off  
Scan the QR code to download the app

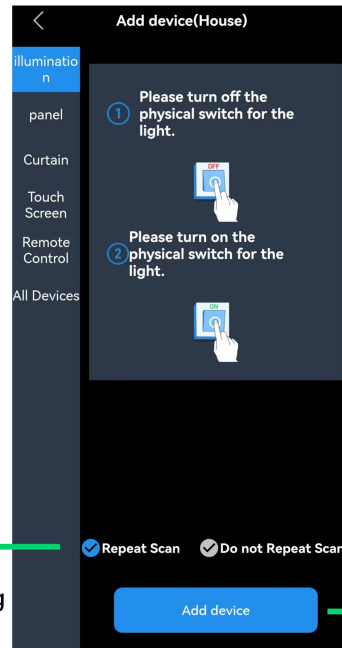


Select English Language

Select the corresponding device to download.  
Note: If the download fails, please turn off the "Enhanced Protection" in the Pure Mode settings of the device.



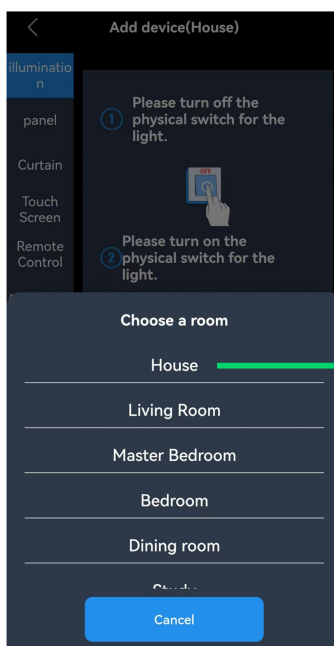
1



3

It turns blue after clicking

2

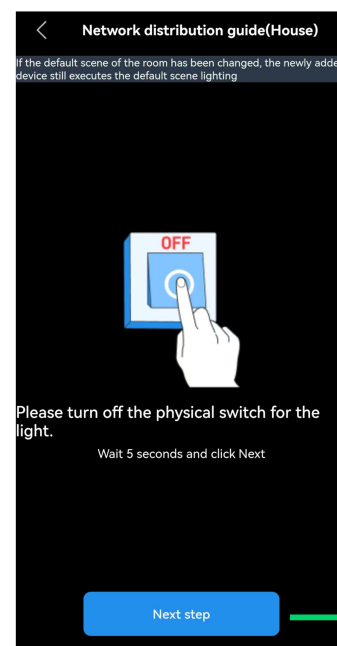


4



5

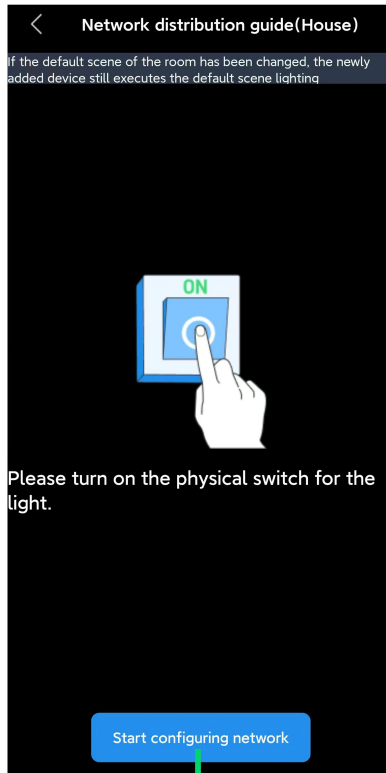
Unplug the smart box



6

7 Plug in the smart box power plug.

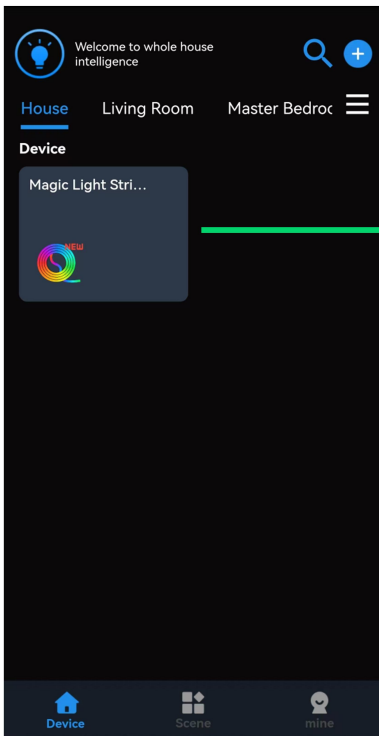
The appearance of this program icon indicates that the matching is complete



8



9



10



Now you can freely adjust the lighting according to your preferences