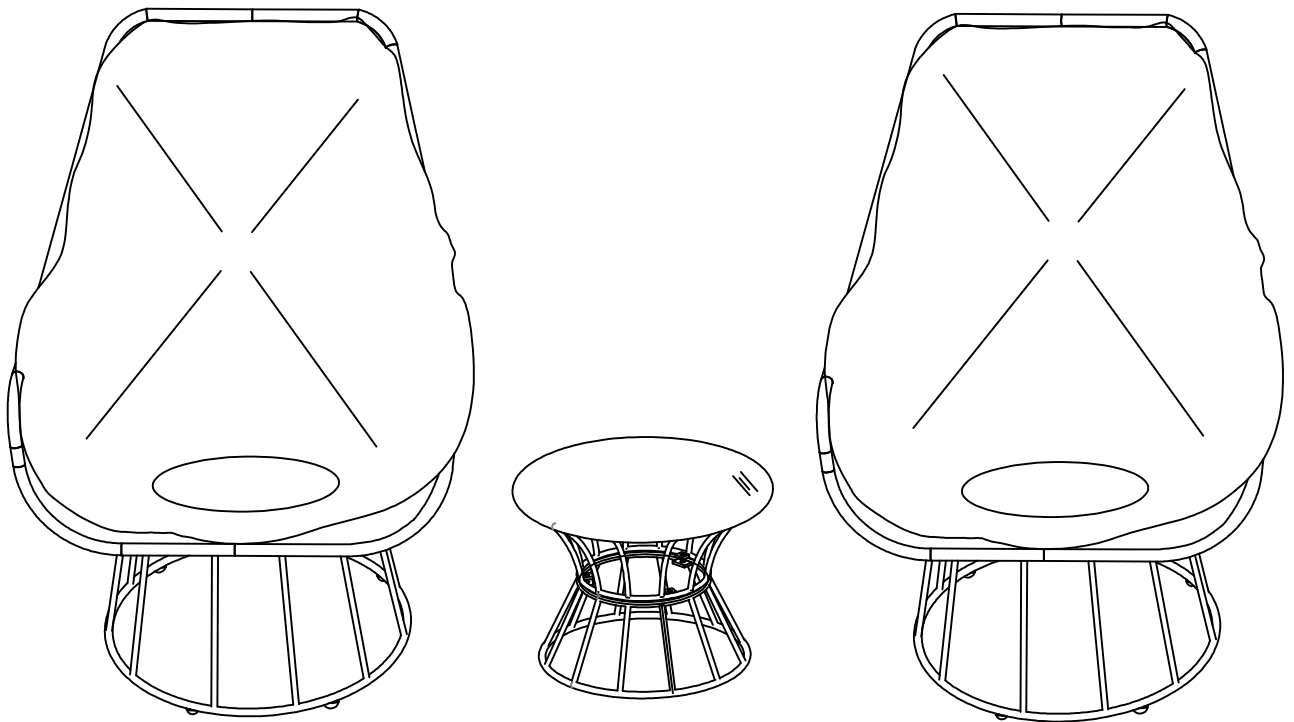
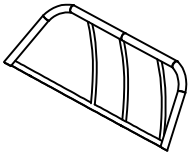
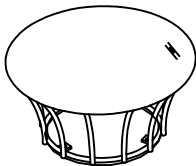

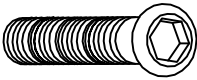
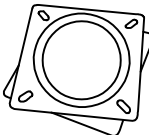





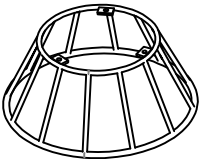





# Assembly Instruction



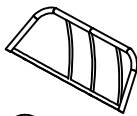
- ▲ 1. Confirm all parts are present prior to assembly.  
 2. Assemble on a flat, clean and soft surface.  
 3. Do not fully tighten screws until all parts are assembled.

Item no.	Reference Image	Qty.	Item no.	Reference Image	Qty.
<b>A</b>		X2	<b>G</b>		X1
<b>B</b>		X2	<b>H</b>	 M6X45mm	X6
<b>C</b>		X2	<b>I</b>	 M6X15mm	X19
<b>D</b>		X2	<b>J</b>		X6
<b>E</b>		X2	<b>K</b>		X31
<b>F</b>		X1	<b>L</b>		X1

---

Item no.	Reference Image	Qty.	Item no.	Reference Image	Qty.
M		X1	N		X20

# 1



Ⓐ 2pcs



Ⓑ 2pcs



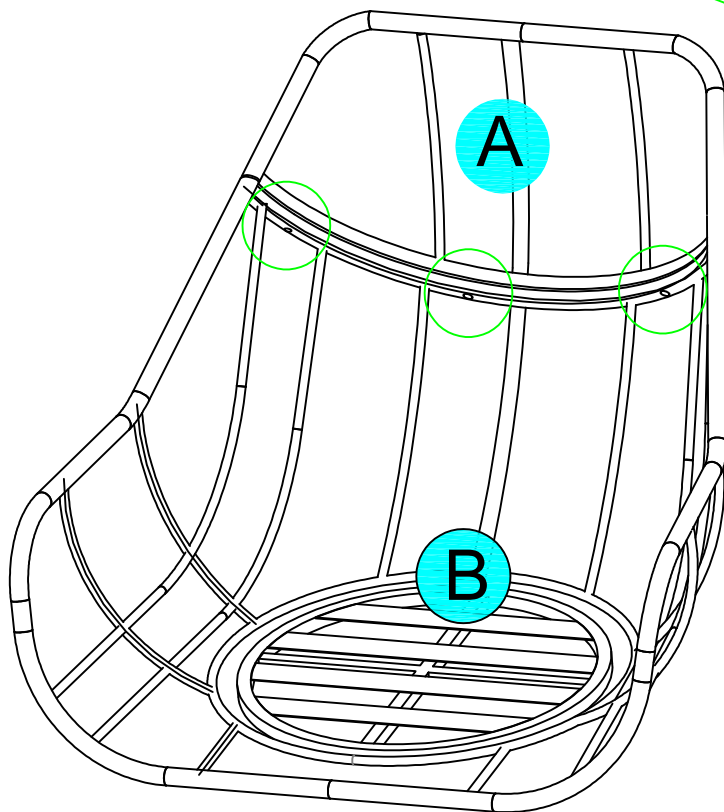
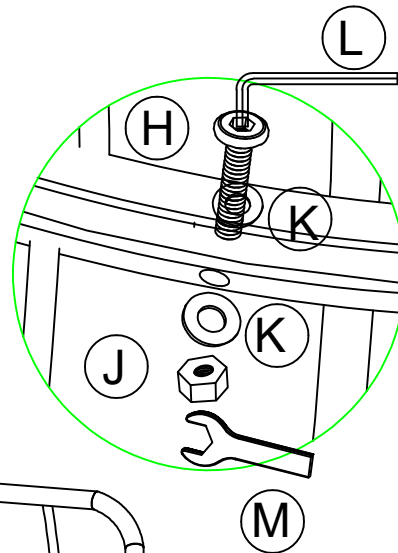
Ⓗ 6pcs



Ⓚ 12pcs

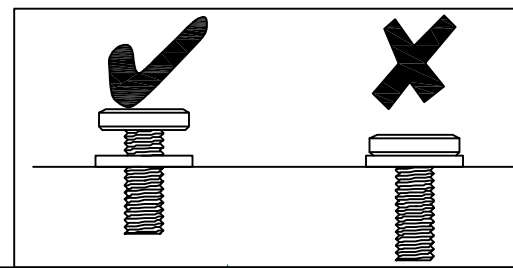


Ⓝ 6pcs

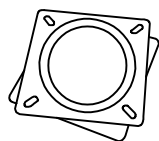


Do not fully tighten screws until all parts are assembled.

3



# 2



C 2pcs



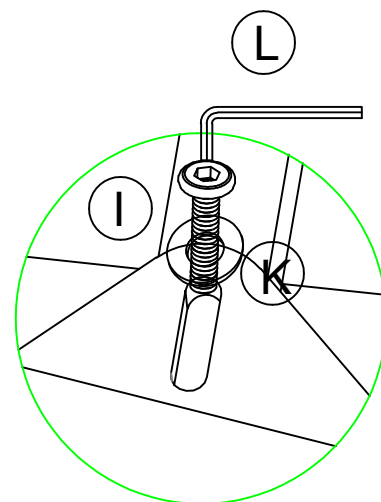
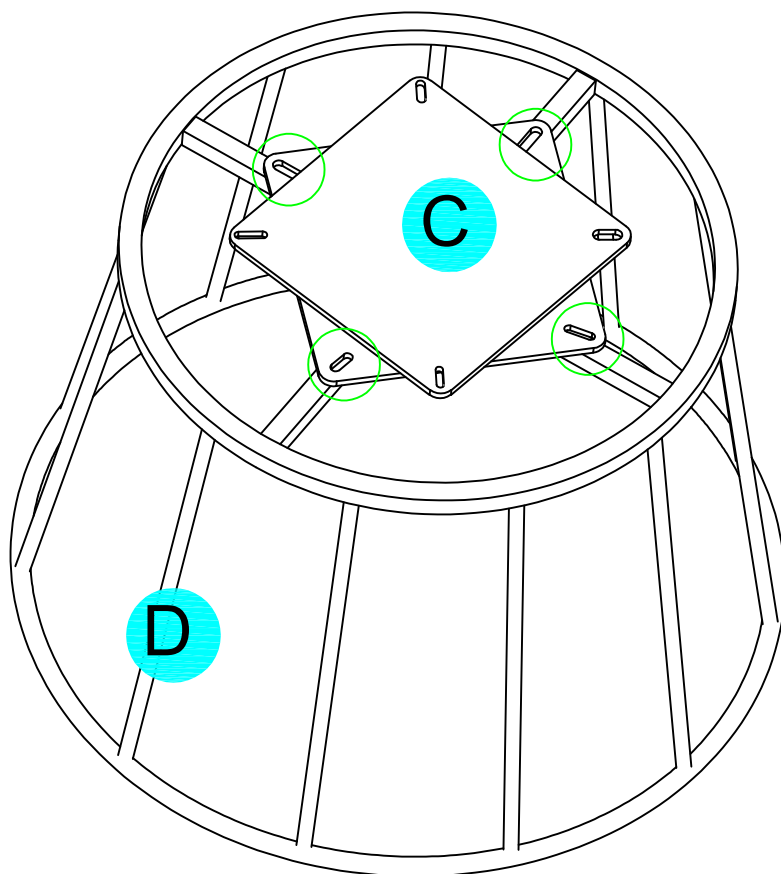
I 8pcs



D 2pcs

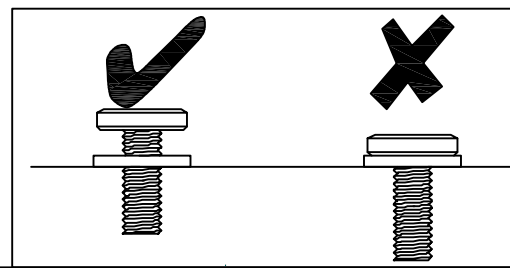


K 8pcs



Do not fully tighten screws until all parts are assembled.

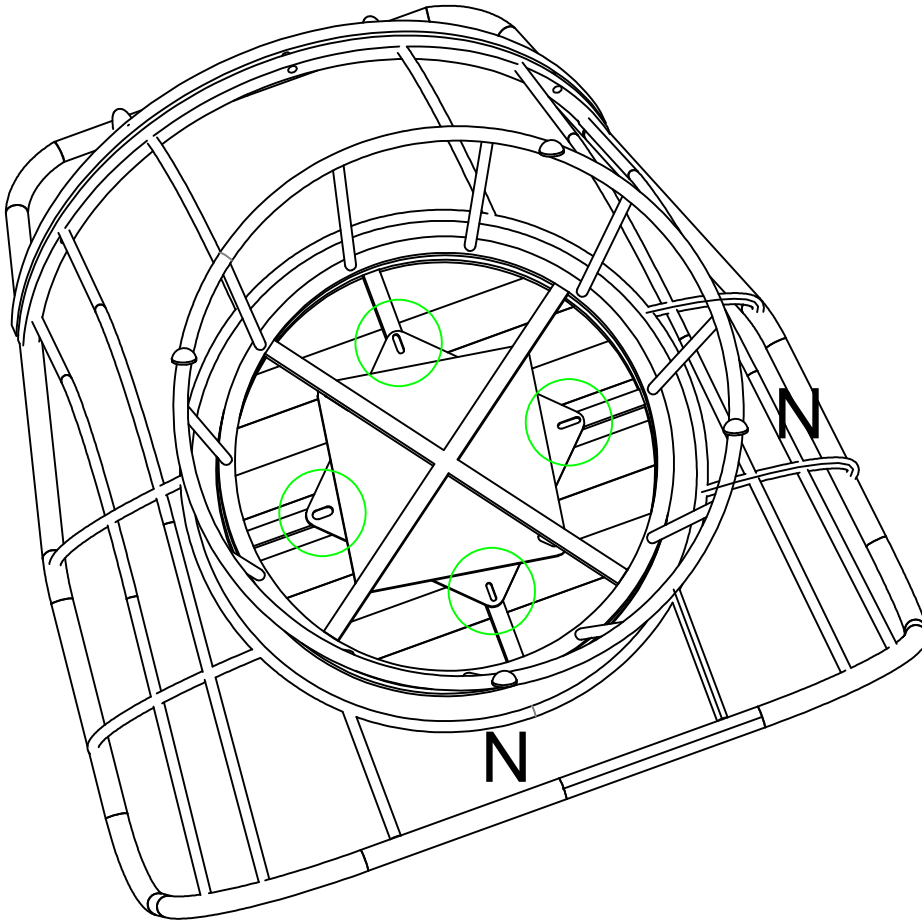
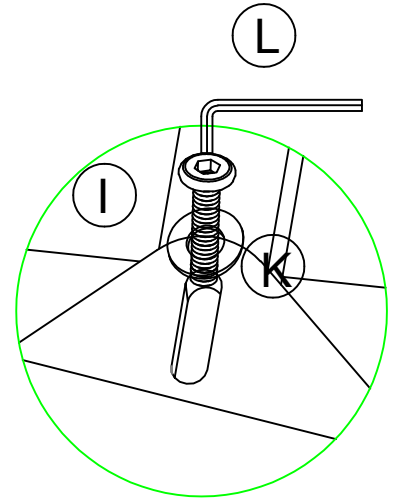
4



# 3

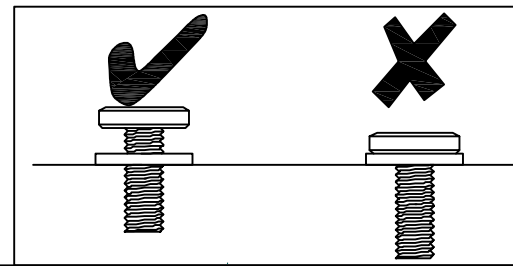


Ⓛ 8pcs Ⓚ 8pcs



Do not fully tighten screws until all parts are assembled.

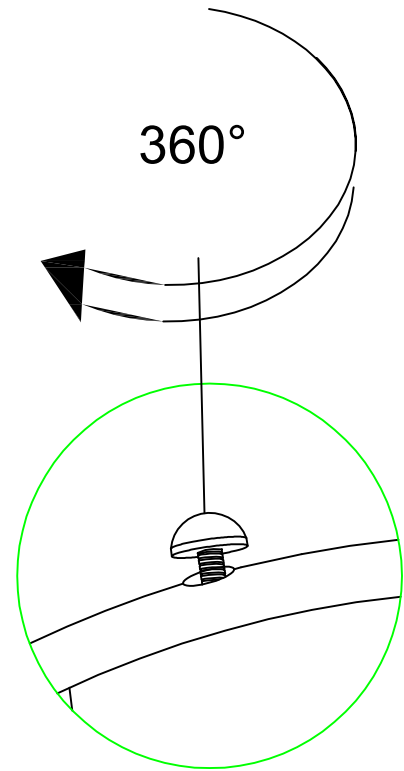
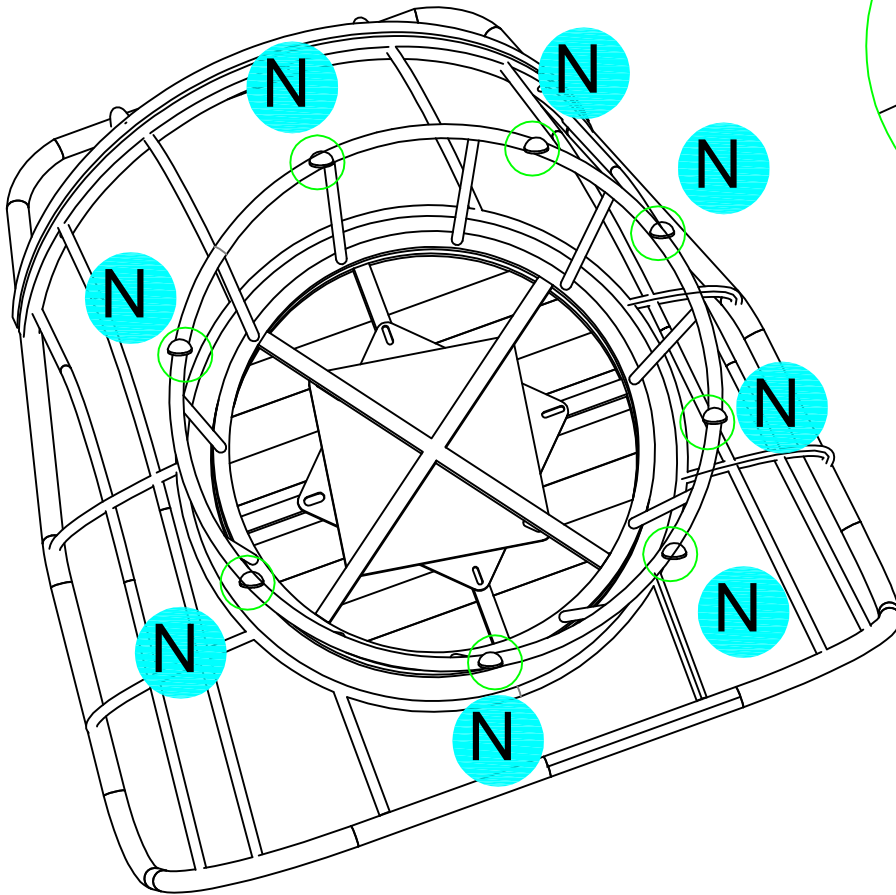
5



4

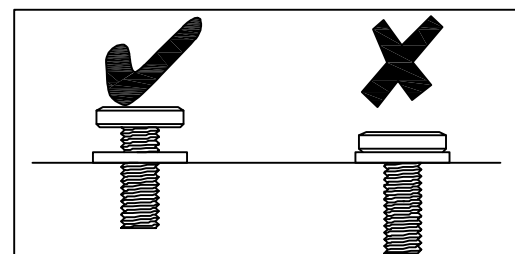



Ⓝ 16pcs

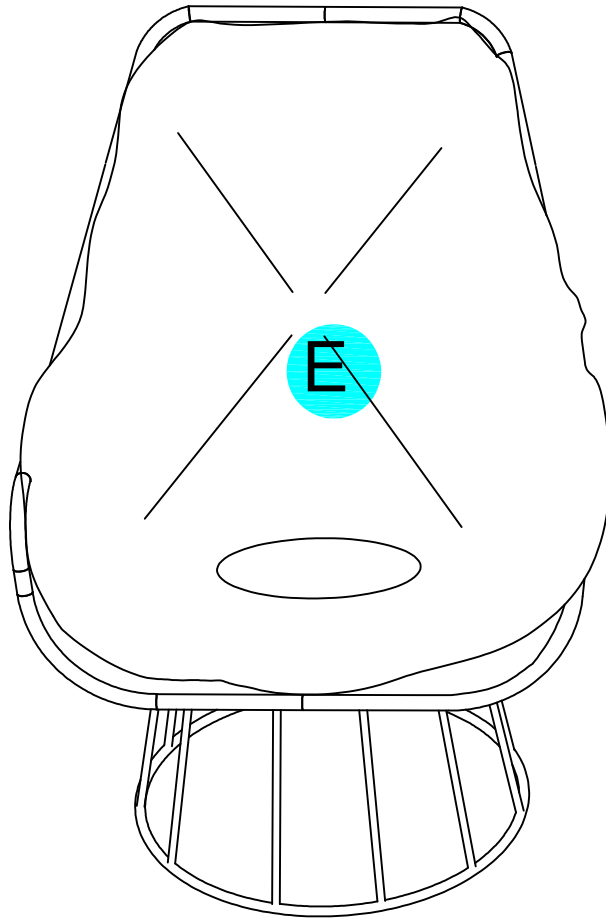


Do not fully tighten screws until all parts are assembled

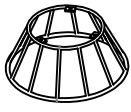
6



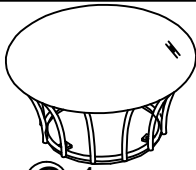
**5**  **E** 2pcs



# 6



F 1pcs



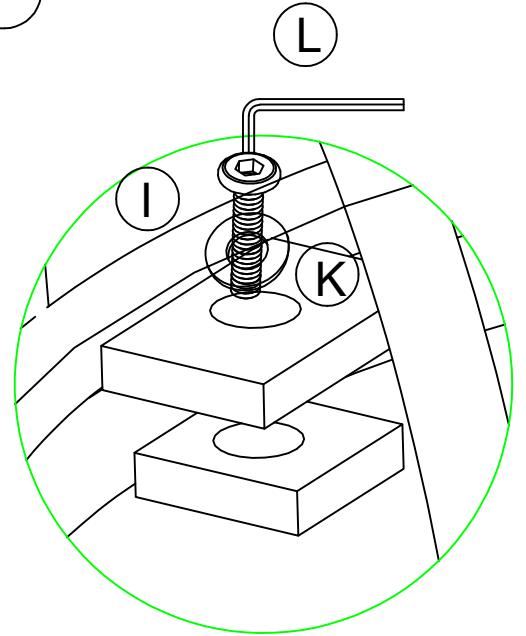
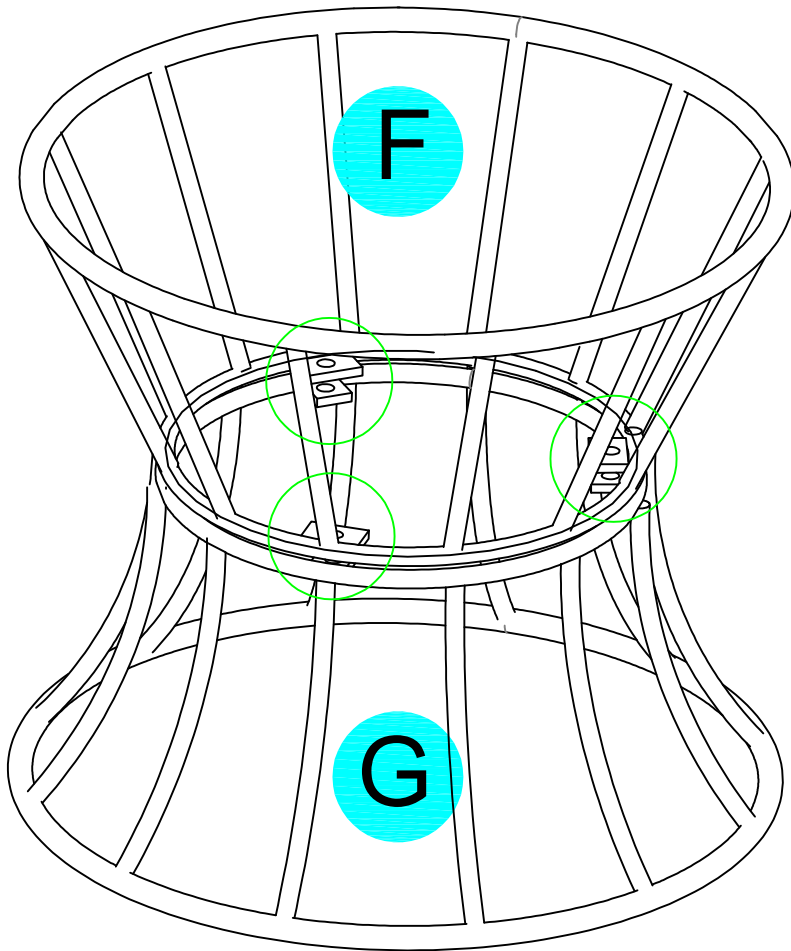
G 1pcs



I 3pcs

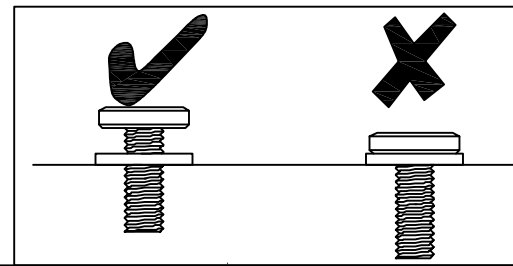


K 3pcs




Do not fully tighten screws until all parts are assembled.

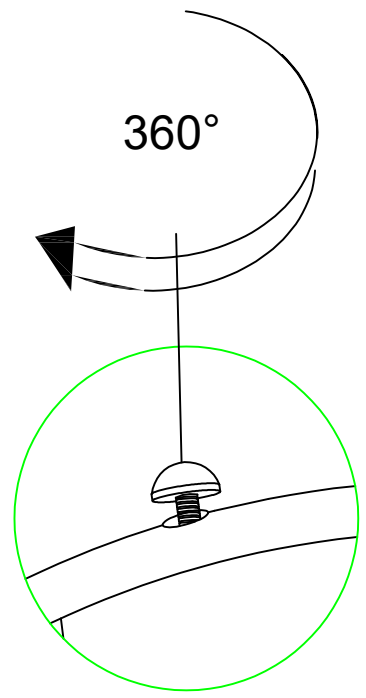
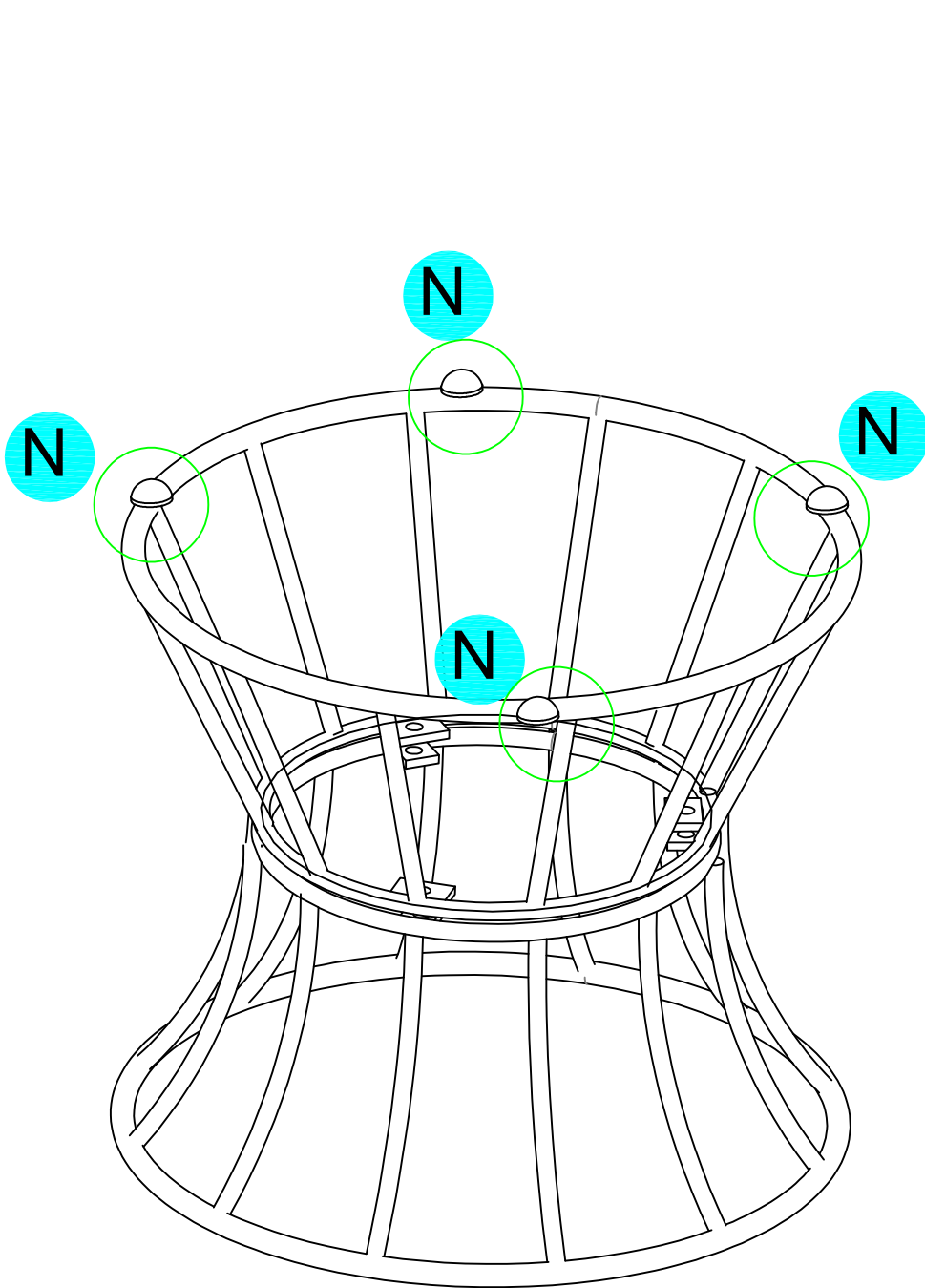
8



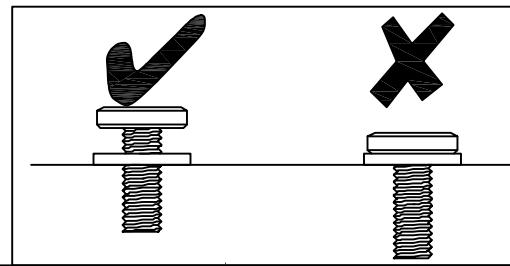
**7**



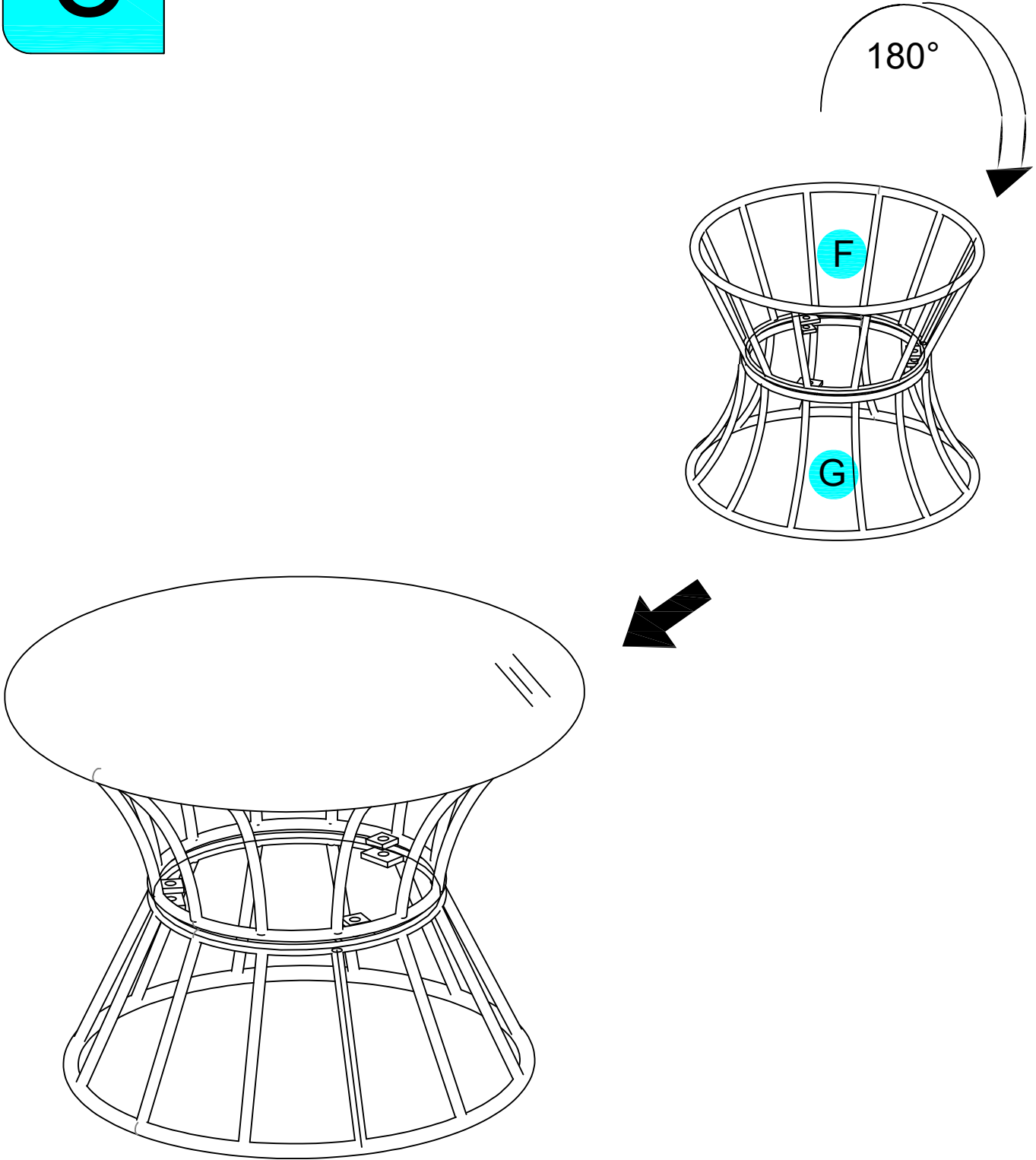
Ⓝ4pcs



Do not fully tighten screws until all parts are assembled.



8



9

