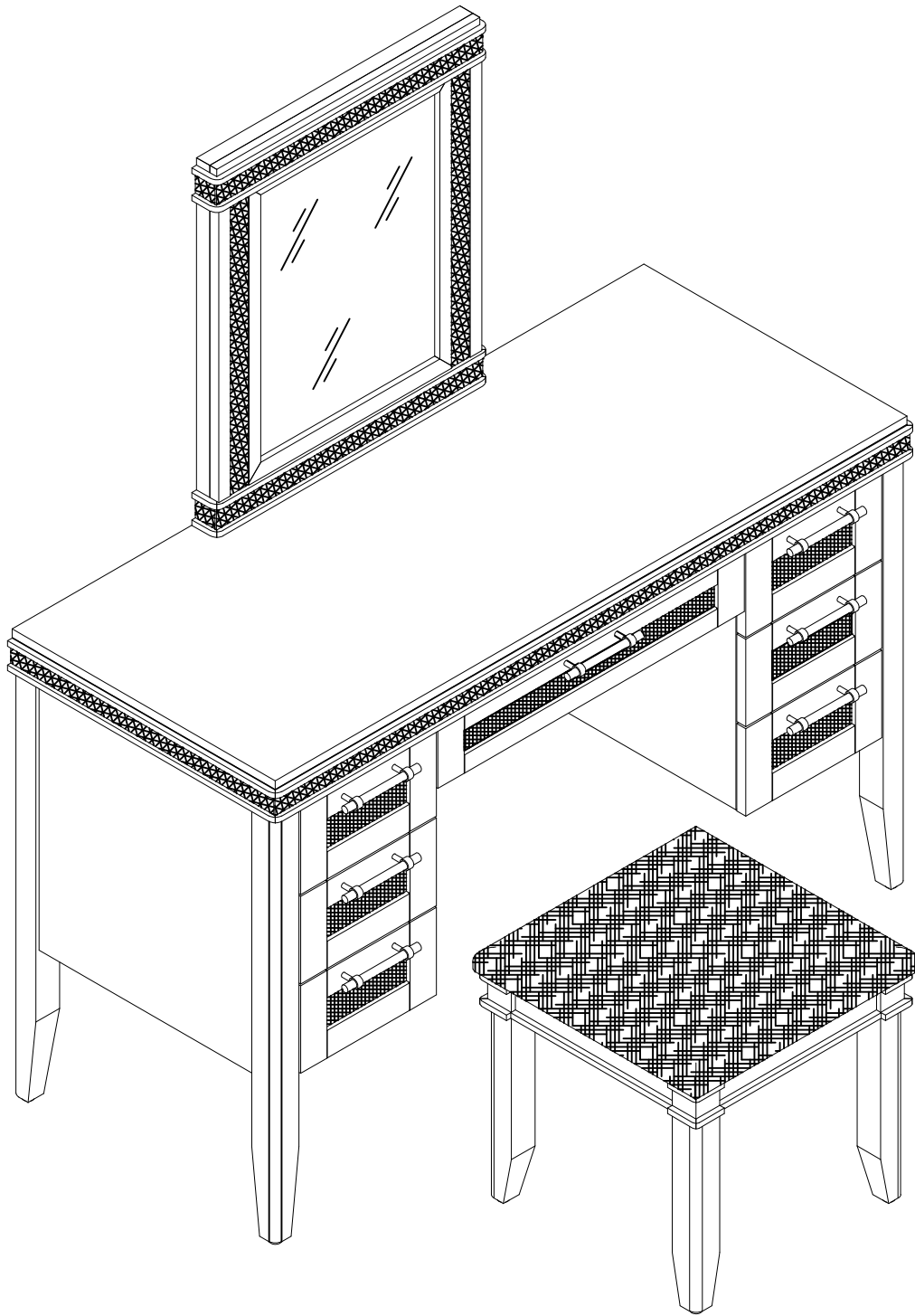


# Vanity Set

Assembly Instructions - Please keep for future reference



Important - Please read these instructions fully before starting assembly



# Safety and Care Advice

**Important – Please read these instructions fully before starting assembly**

- Check you have all the components and tools listed on the following pages.
- Remove all fittings from the plastic bags and separate them into their groups.
- Keep children and animals away from the work area, small parts could choke if swallowed.
- Make sure you have enough space to layout the parts before starting.

- During assembly do not stand or put weight on the product, this could cause damage.
- Assemble the item as close to its final position (in the same room) as possible.
- Assemble on a soft level surface to avoid damaging the unit or your floor.
- Parts of the assembly will be easier with 2 people.



power drill is set on a low torque setting.

- To reduce the likelihood of damaging your product please ensure that your

## Care and maintenance

- Only clean using a damp cloth and mild detergent, do not use bleach or abrasive cleaners.
- From time to time check that there are no loose screws on this unit.
- This product should not be discarded with household waste. Take to your local authority waste disposal centre.

## Handy Hints

- Assemble all parts and bolts loosely during assembly, only once the product is complete should you fully tighten the bolts
- Regularly check and ensure That all bolts and fittings are tightened properly.

**WARNING**  
**In order to help prevent overturning –**  
**please follow these instructions**

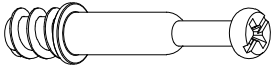
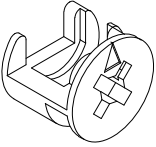
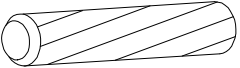
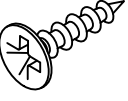
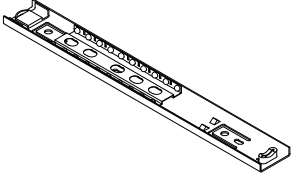
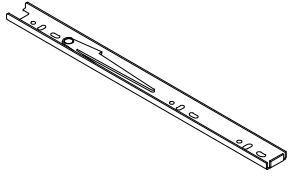
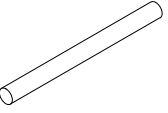
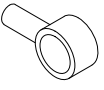
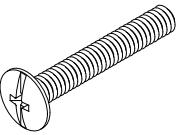
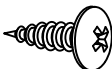
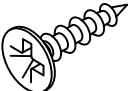

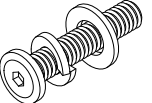
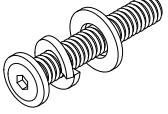
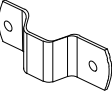
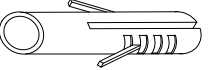

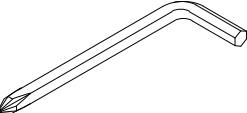
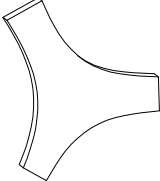
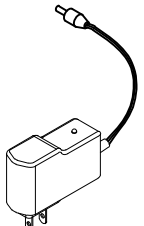
To help prevent product toppling over please follow the below steps:-

- Use the anti tip stap or wall fixing method provided (if applicable)
- Do not allow children to climb or hang on the furniture
- Do not open more than one drawer at a time
- Do not place heavy items in the top drawers
- Do not place heavy items on top of the furniture, unless the furniture has been designed for this purpose

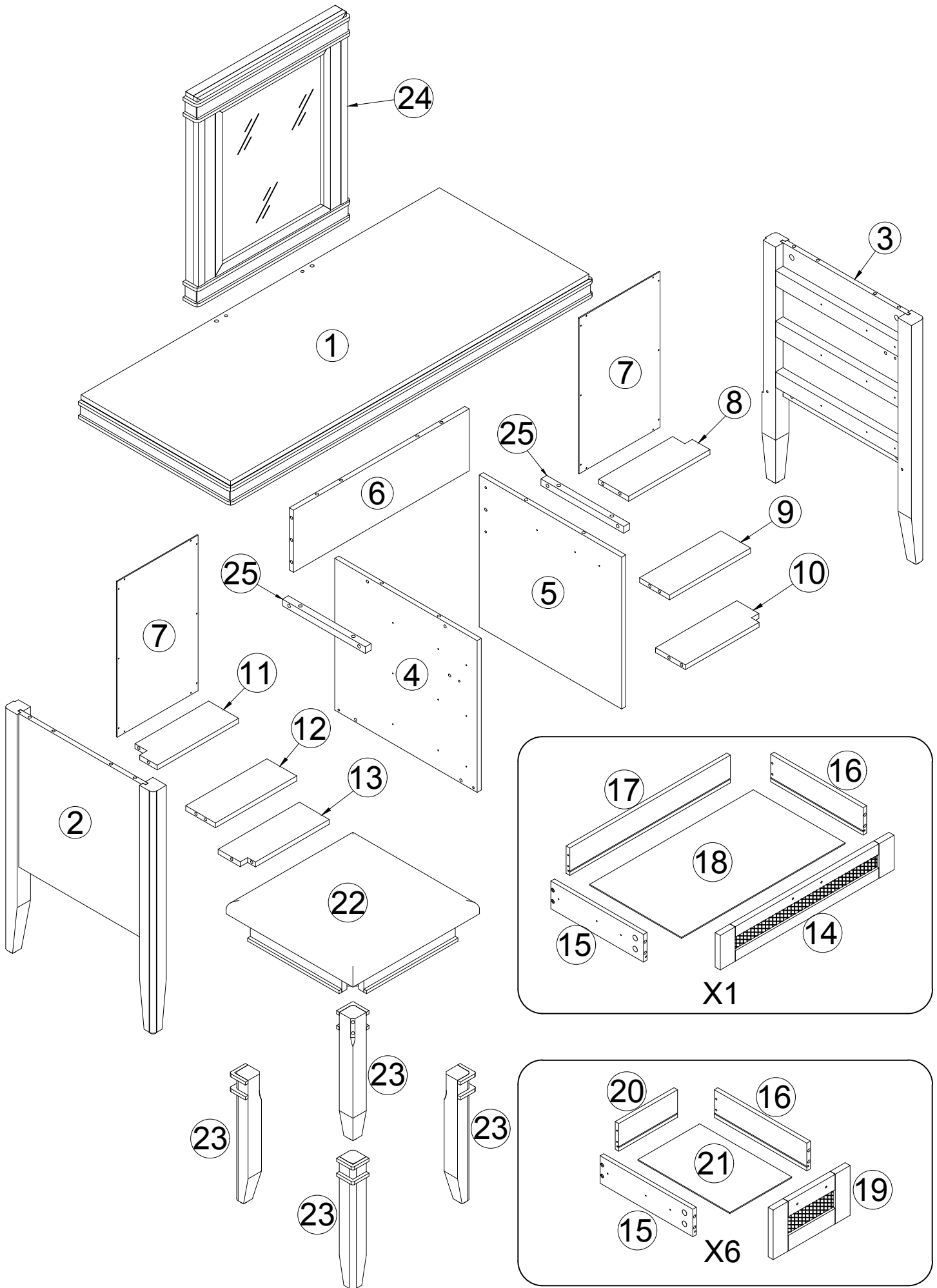
# Components - Fittings

Please check you have all the panels listed below

Note: The quantities below are the correct amount to complete the assembly. In some cases, more fittings may be supplied than required.

<p><b>A</b> QTY: 54</p> 	<p><b>B</b> QTY: 54</p> 	<p><b>C</b> QTY: 26</p>  <p>Ø8*30mm</p>	<p><b>D</b> QTY: 84</p>  <p>Ø6*12mm</p>
CAM BOLT	CAM LOCK	WOOD DOWEL	FLAT HEAD SCREW
<p><b>E1</b> QTY: 14</p>  <p>L=300*35mm</p>	<p><b>E2</b> QTY: 14</p>  <p>L=300*35mm</p>	<p><b>F</b> QTY: 7</p> 	<p><b>G</b> QTY: 14</p> 
BALL BEARING GLIDE	BALL BEARING GLIDE	HANDLE BAR	HANDLE BRACKET
<p><b>H</b> QTY: 14</p>  <p>Ø8*30mm</p>	<p><b>I</b> QTY: 20</p>  <p>Ø6*12mm</p>	<p><b>J</b> QTY: 4</p>  <p>Ø7*15mm</p>	<p><b>K</b> QTY: 32</p>  <p>Ø8*35mm</p>
BOLT	FLAT HEAD SCREW	FLAT HEAD SCREW	FLAT HEAD SCREW
<p><b>L</b> QTY: 10</p>  <p>Ø1/4*30mm</p>	<p><b>M</b> QTY: 8</p>  <p>Ø1/4*45mm</p>	<p><b>N</b> QTY: 4</p> 	<p><b>O</b> QTY: 4</p> 
BOLT	BOLT	HOOK	ANCHOR
<p><b>P</b> QTY: 2</p> 	<p><b>Q</b> QTY: 1</p> 	<p><b>R</b> QTY: 1</p> 	<p><b>S</b> QTY: 1</p> 
METAL TIES	HEX KEY	CAM TOOL	POWER ADAPTER

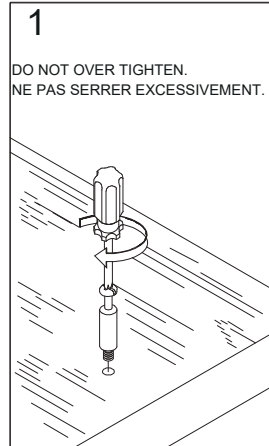
# COMPONENTS - KEY DIAGRAM



# Using Camlocks

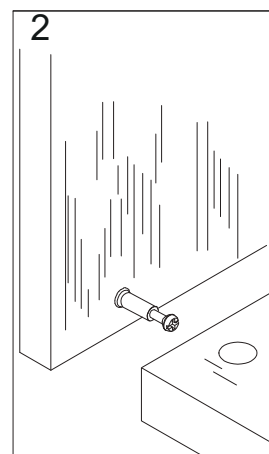
## Step 1

Connect the male camlock as directed in the assembly instructions using a screwdriver.



## Step 2

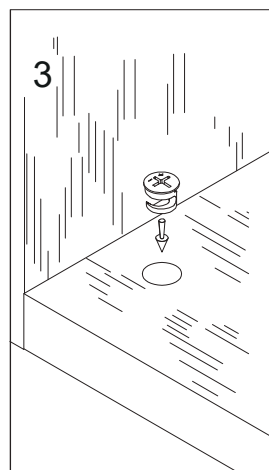
Push the male camlock into the entry hole.



## Step 3

Insert the female camlock as shown in the instruction.

Note: ensure that the arrow on the top of the camlock points towards the entry hole for the male camlock.

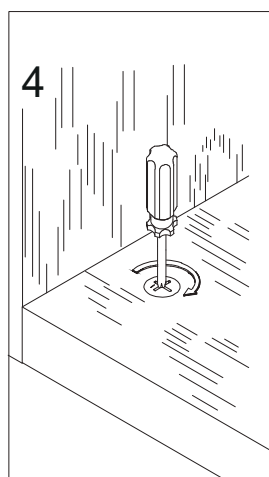


## Step 4

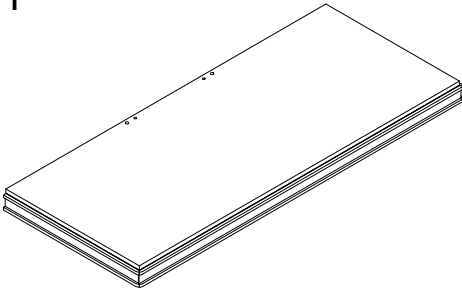
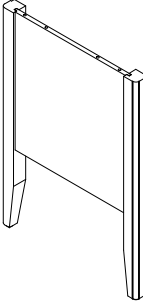
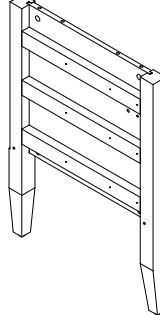
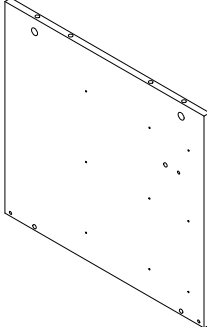
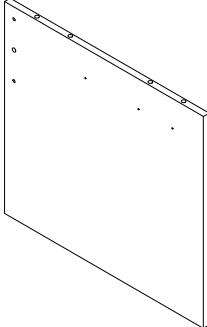
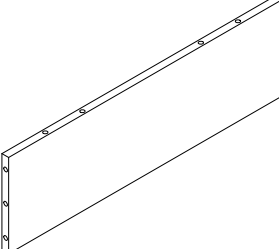
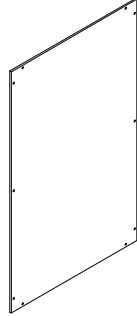
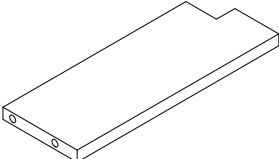
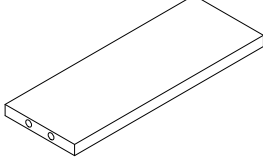
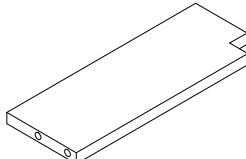
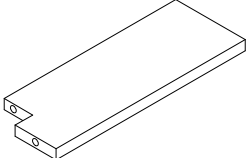
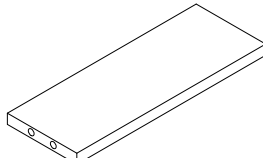
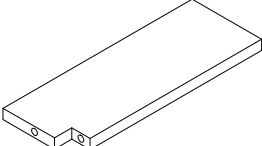
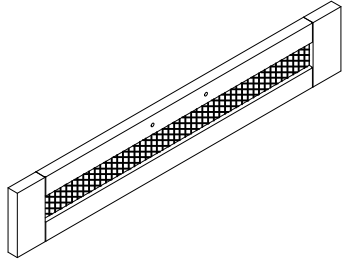
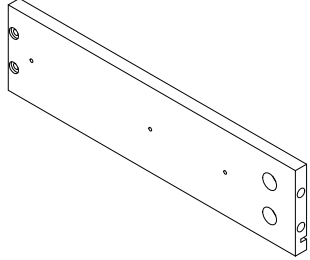
Turn the female camlock clockwise with a screwdriver.

You should feel a click when the camlock is locked in place.

The joint is now secure.

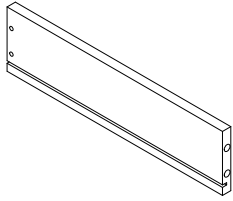


# COMPONENTS - KEY DIAGRAM

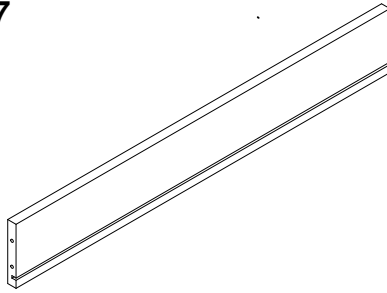
<p>1</p> 	<p>2</p> 	<p>3</p> 
<p>TOP PANEL QTY: 1</p>	<p>LEFT FRAME QTY: 1</p>	<p>RIGHT FRAME QTY: 1</p>
<p>4</p> 	<p>5</p> 	<p>6</p> 
<p>LEFT PARTITION QTY: 1</p>	<p>RIGHT PARTITION QTY: 1</p>	<p>BACK RAIL QTY: 1</p>
<p>7</p> 	<p>8</p> 	<p>9</p> 
<p>BACK PANEL QTY: 2</p>	<p>RIGHT BACK RAIL QTY: 1</p>	<p>RIGHT FRONT TOP RAIL QTY: 1</p>
<p>10</p> 	<p>11</p> 	<p>12</p> 
<p>RIGHT FRONT BOTTOM RAIL QTY: 1</p>	<p>LEFT BACK RAIL QTY: 1</p>	<p>LEFT FRONT TOP RAIL QTY: 1</p>
<p>13</p> 	<p>14</p> 	<p>15</p> 
<p>LEFT FRONT BOTTOM RAIL QTY: 1</p>	<p>DRAWER FRONT QTY: 1</p>	<p>DRAWER SIDE - LEFT QTY: 7</p>

# COMPONENTS - KEY DIAGRAM

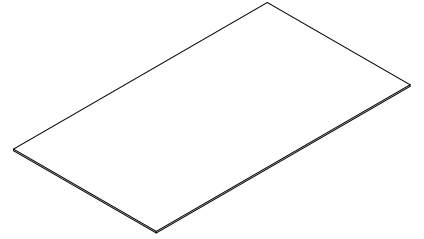
16



17



18



DRAWER SIDE - LEFT

QTY: 7

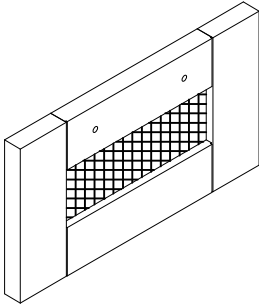
DRAWER BACK

QTY: 1

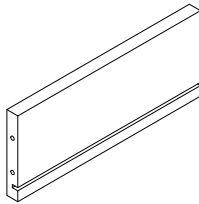
DRAWER BOTTOM

QTY: 1

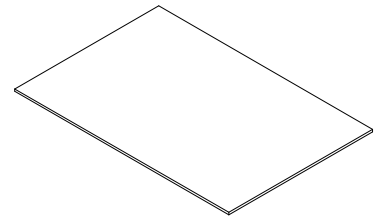
19



20



21



DRAWER FRONT

QTY: 6

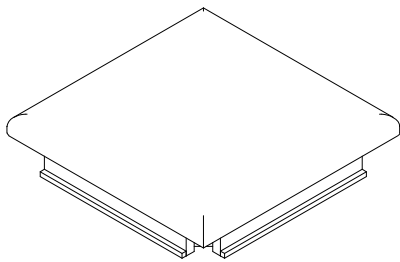
DRAWER BACK

QTY: 6

DRAWER BOTTOM

QTY: 6

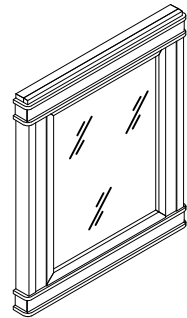
22



23



24



SEAT FRAME

QTY: 1

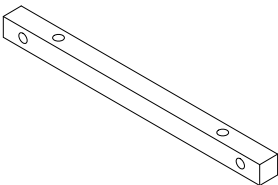
CHAIR LEG

QTY: 4

MIRROR FRAME

QTY: 1

25



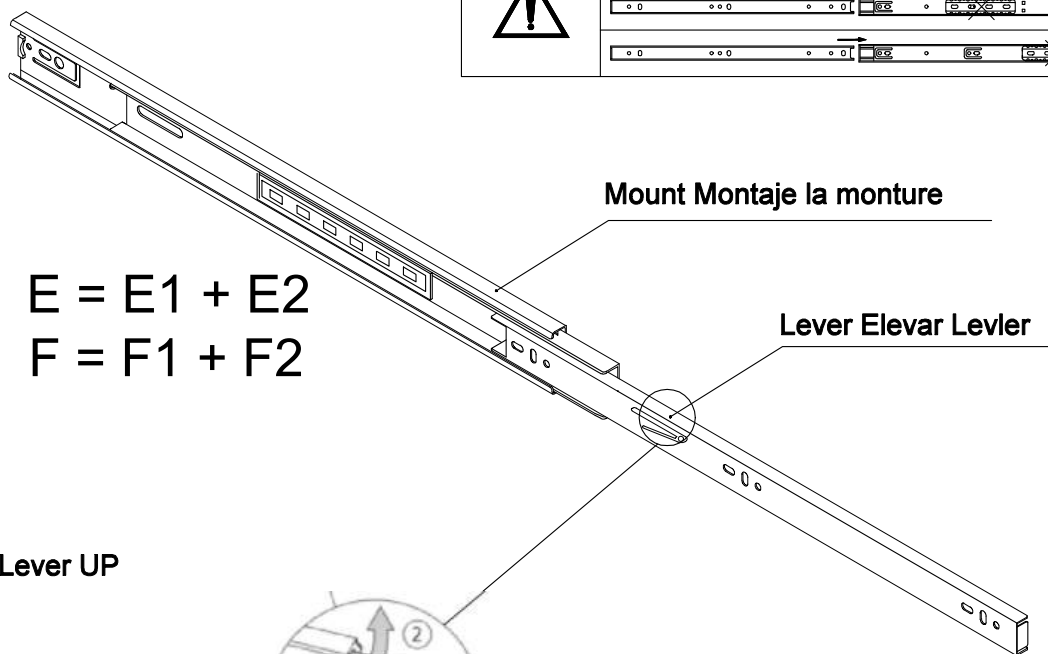
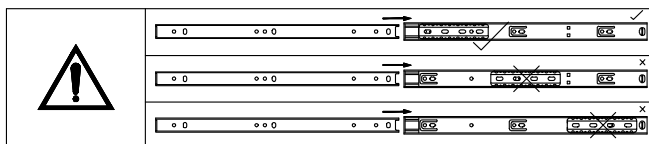
CONNECTING BAR

QTY: 2

**Slides Must Be Separated Before Assembly.  
After Separated, Set Aside Until Needed for Assembly.**

**Pay attention when connecting !  
The sliding module must be at the front end.**

**STEP 1 : Extend Slide**



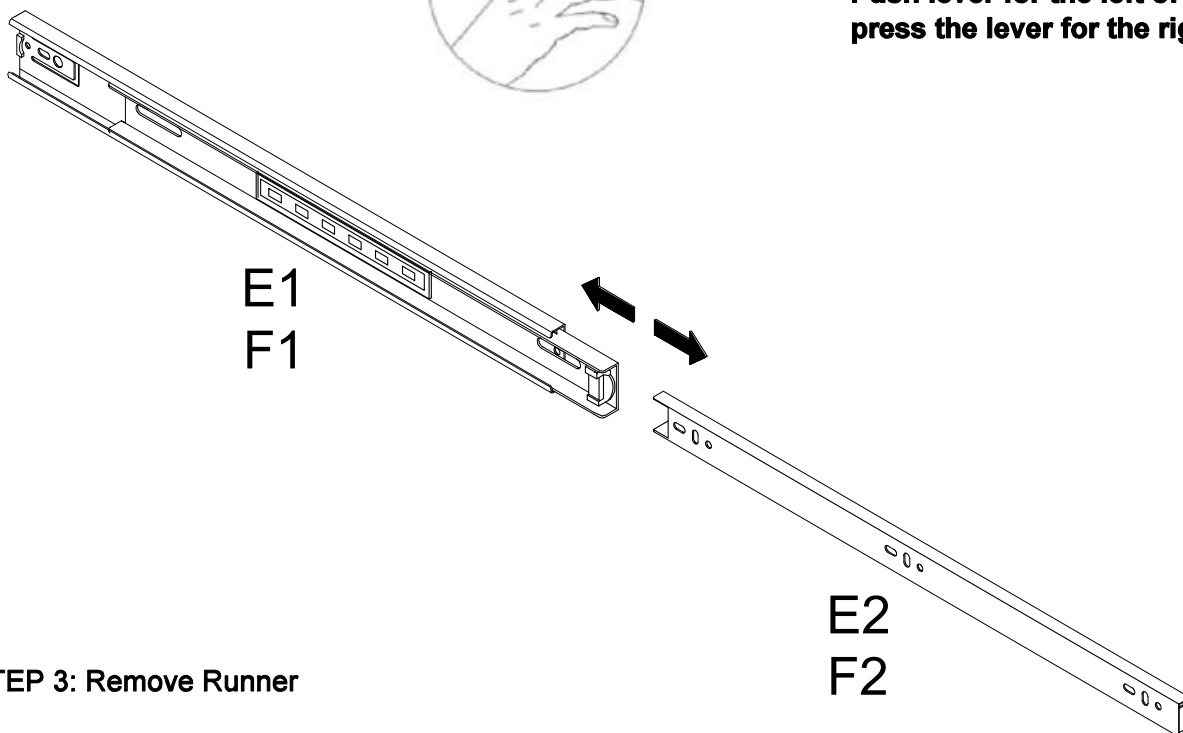
$$E = E1 + E2$$

$$F = F1 + F2$$

**STEP 2: Push Lever UP**



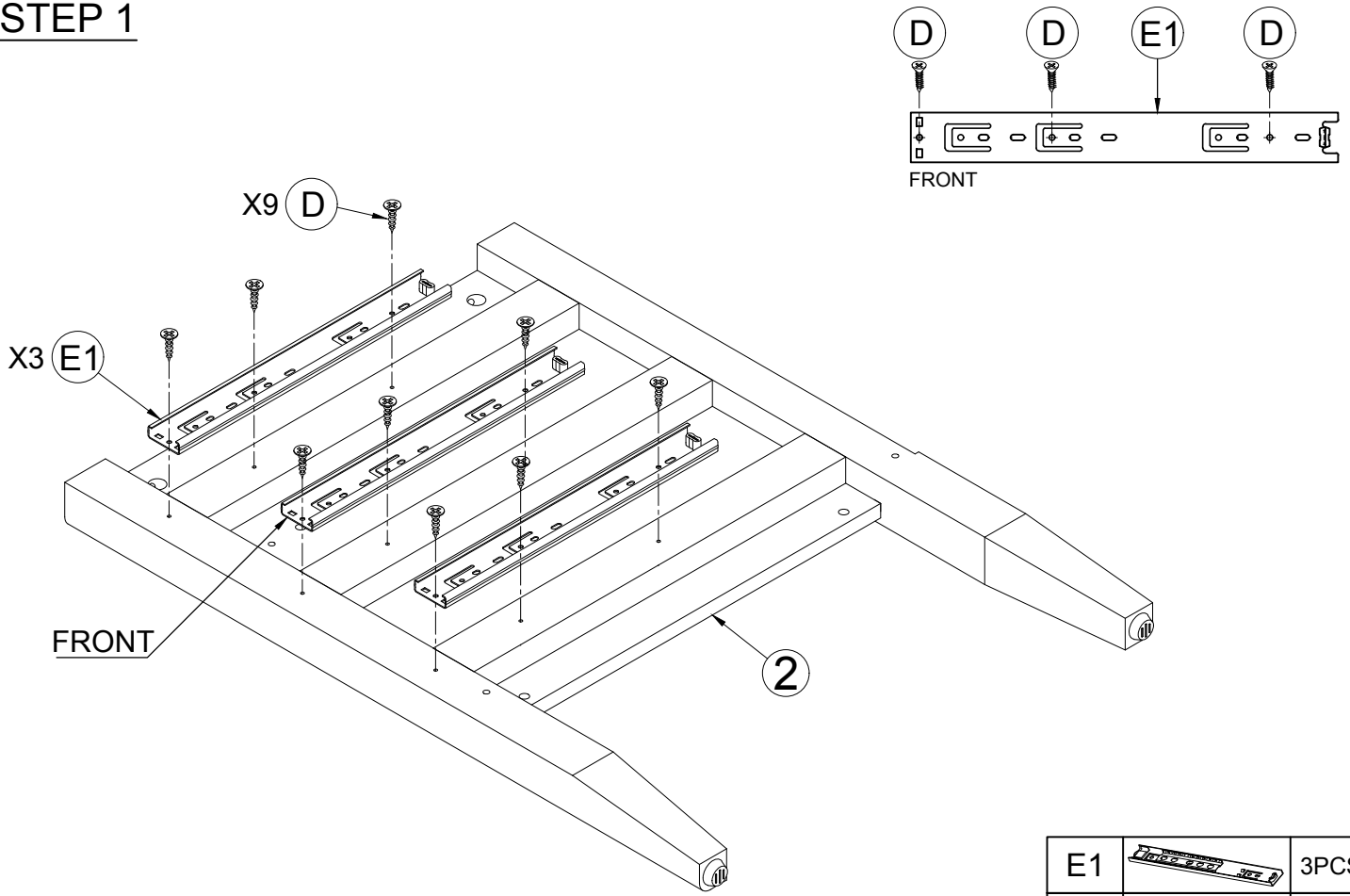
**Push lever for the left of drawer ,  
press the lever for the right of drawer.**





**STEP 3: Remove Runner**

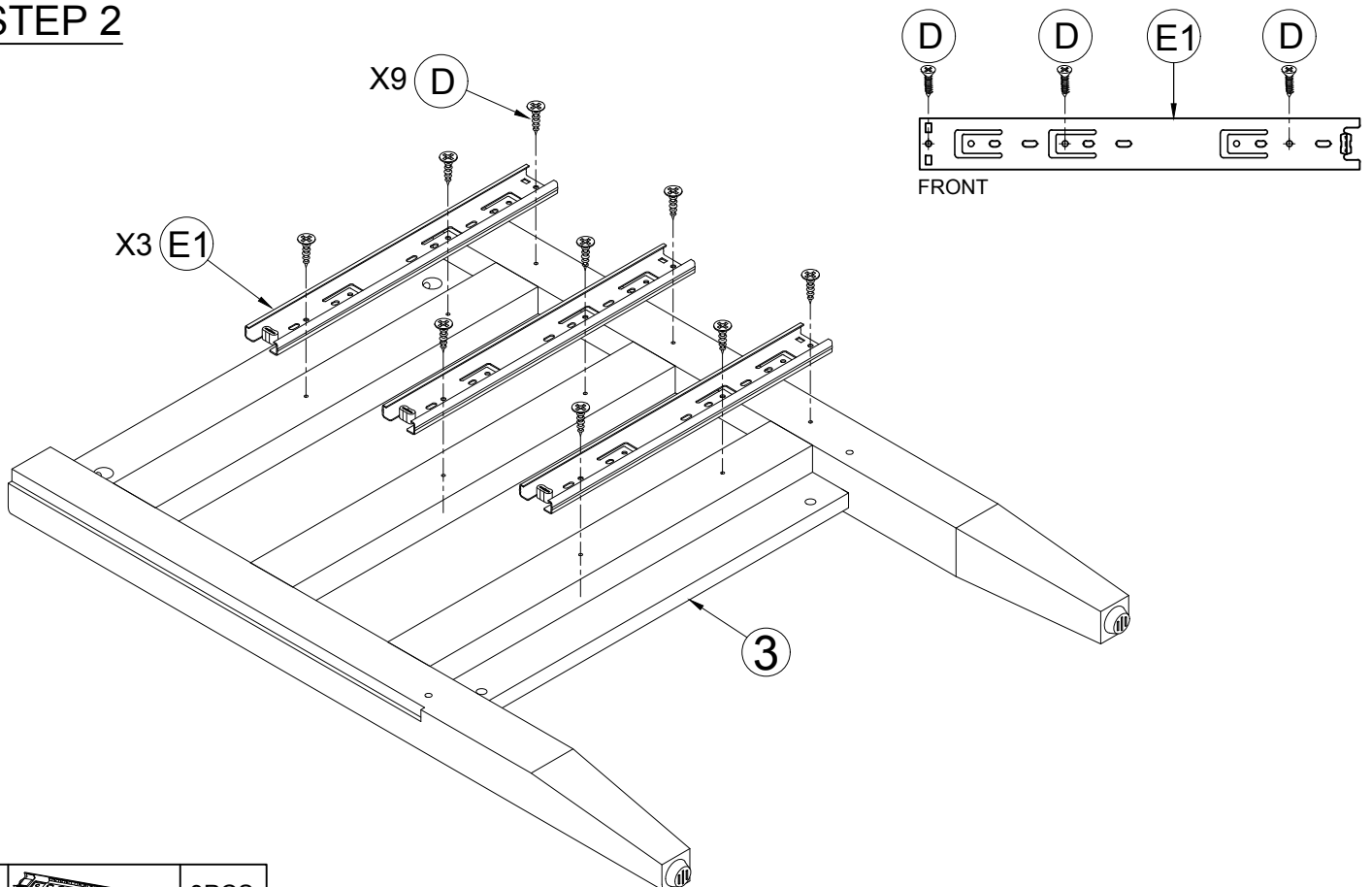
# ASSEMBLY INSTRUCTIONS



## STEP 1



E1		3PCS
D		9PCS

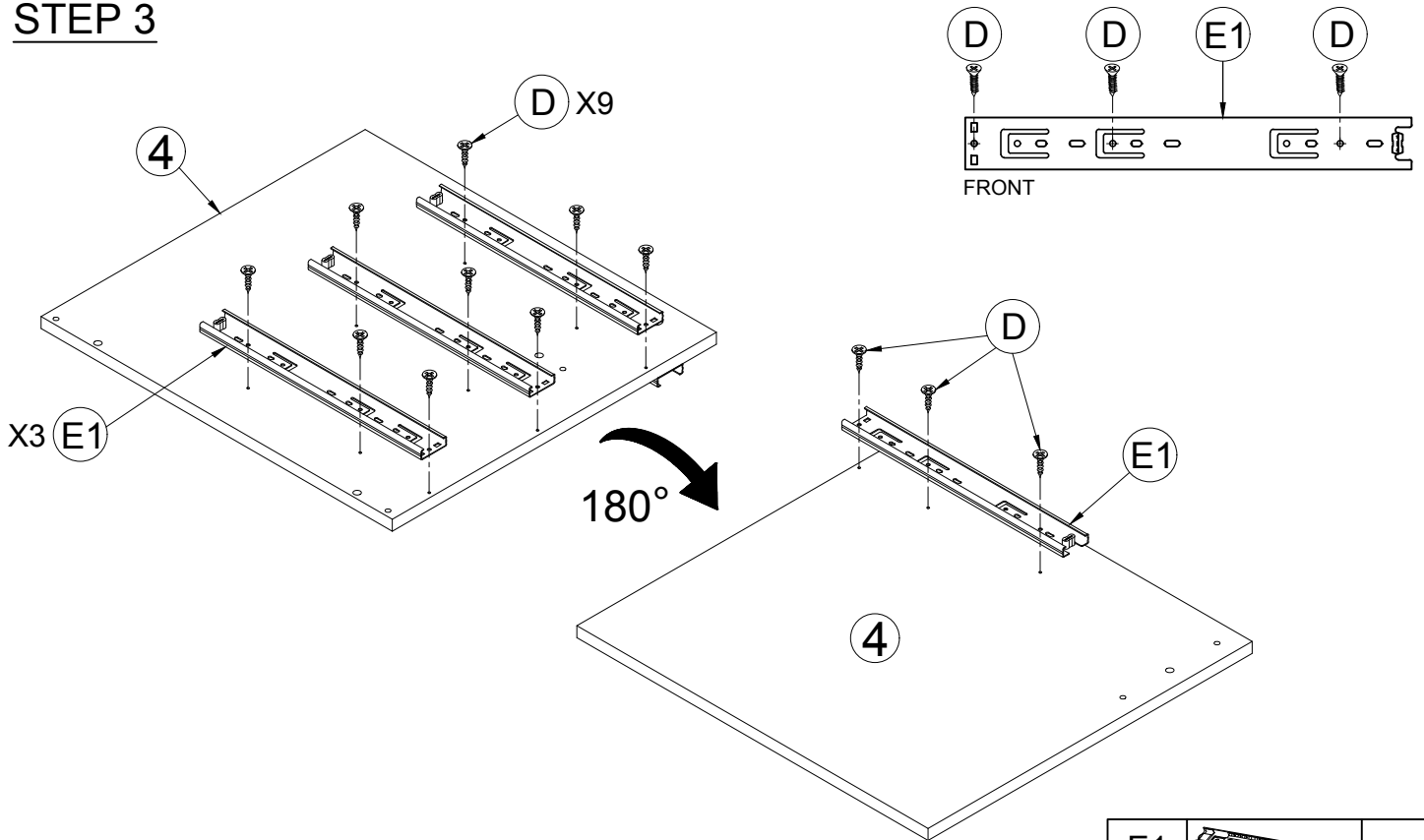
## STEP 2





E1		3PCS
D		9PCS

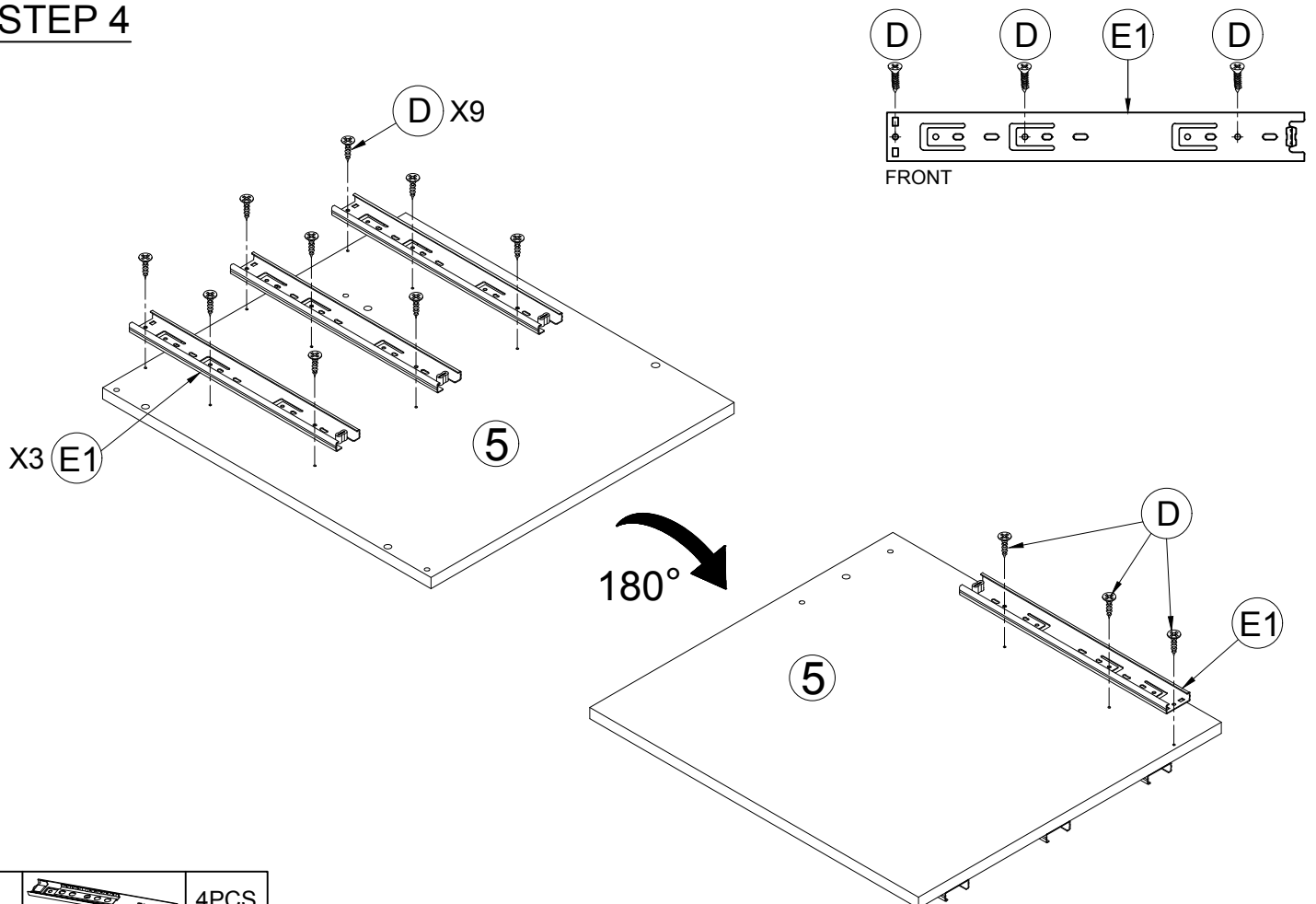
# ASSEMBLY INSTRUCTIONS



## STEP 3



E1		4PCS
D		12PCS

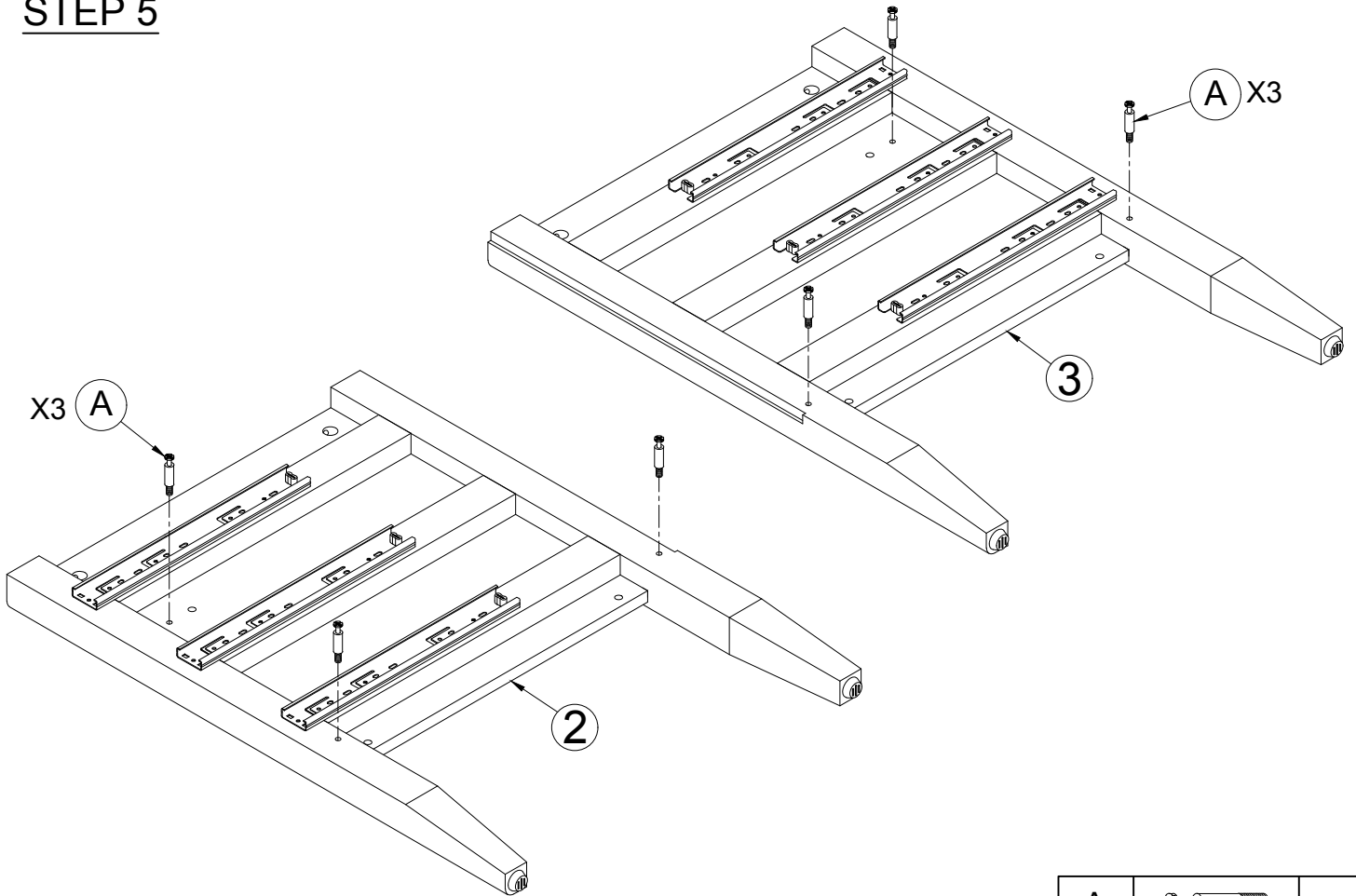
## STEP 4

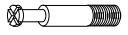


E1		4PCS
D		12PCS

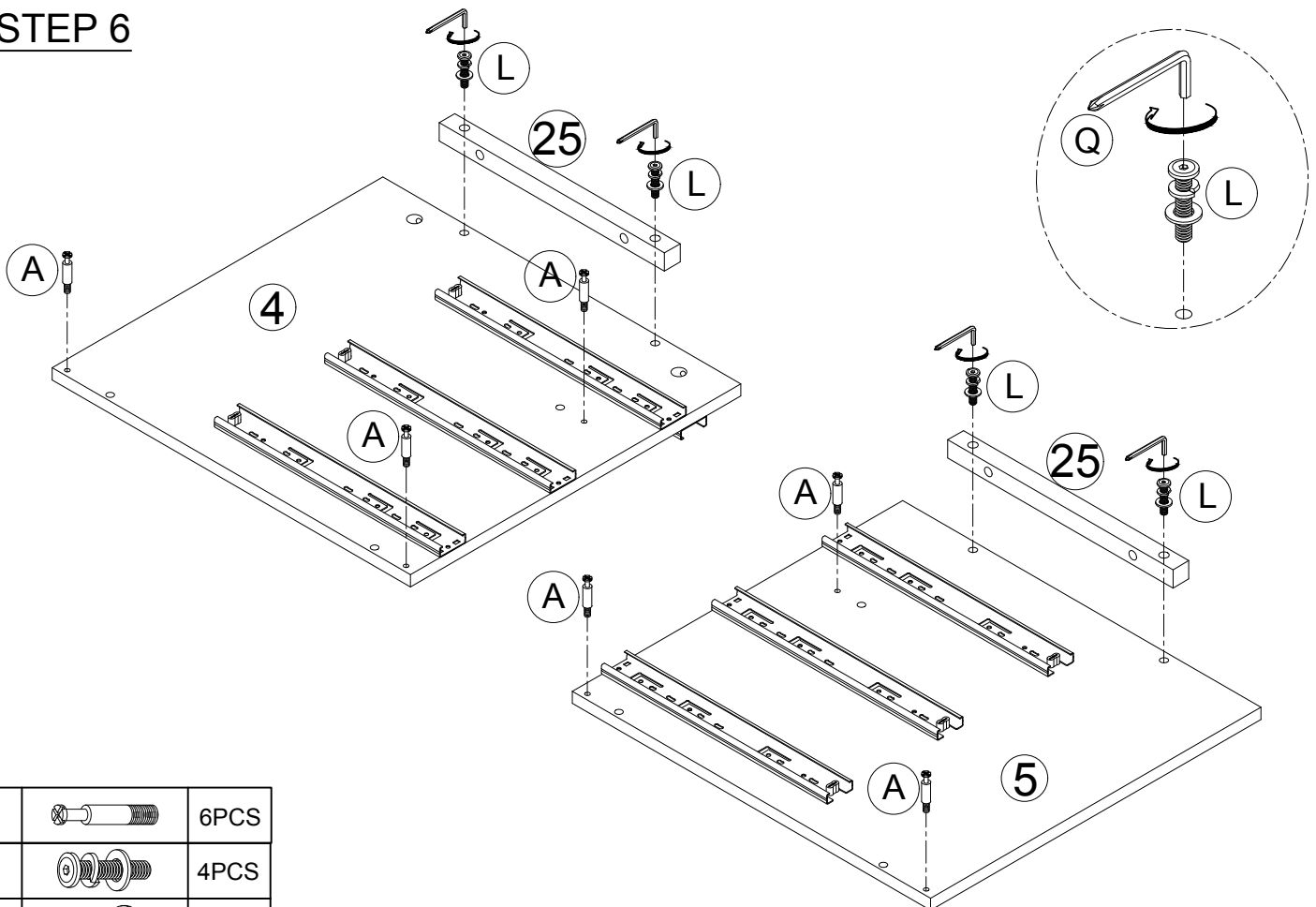
# ASSEMBLY INSTRUCTIONS

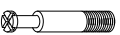


## STEP 5



A		6PCS
---	---	------

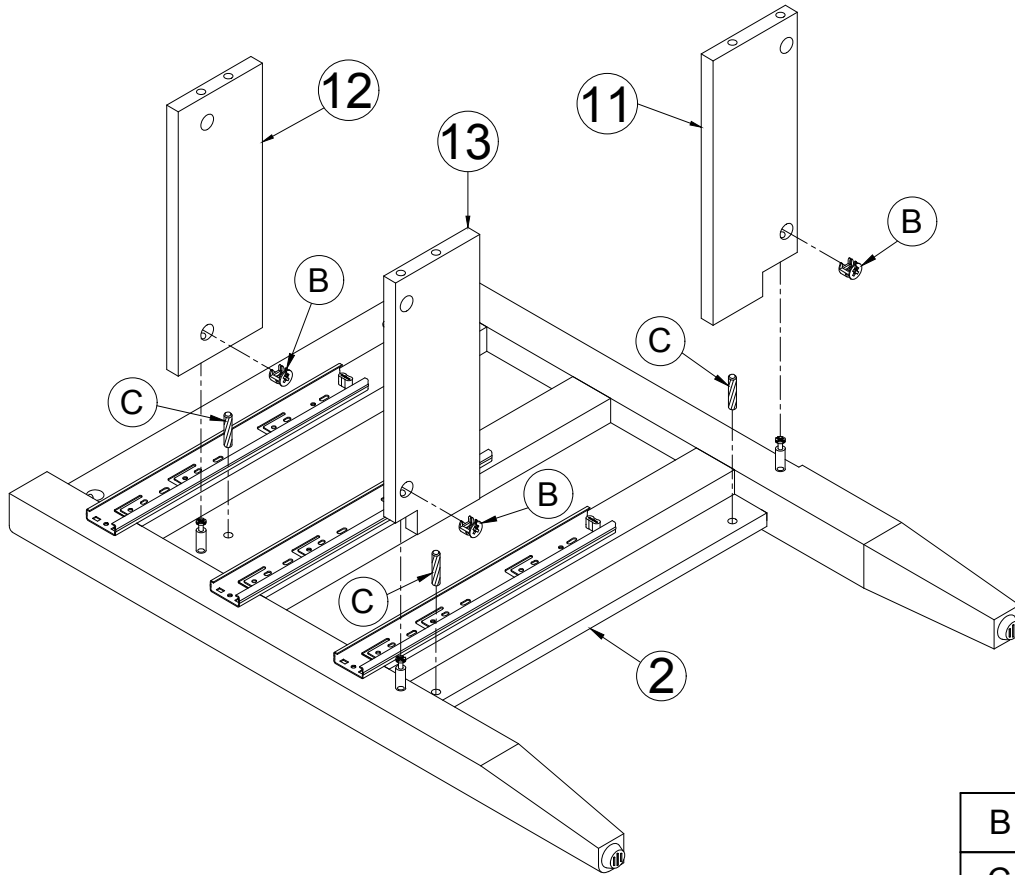
## STEP 6





A		6PCS
L		4PCS
Q		1PC

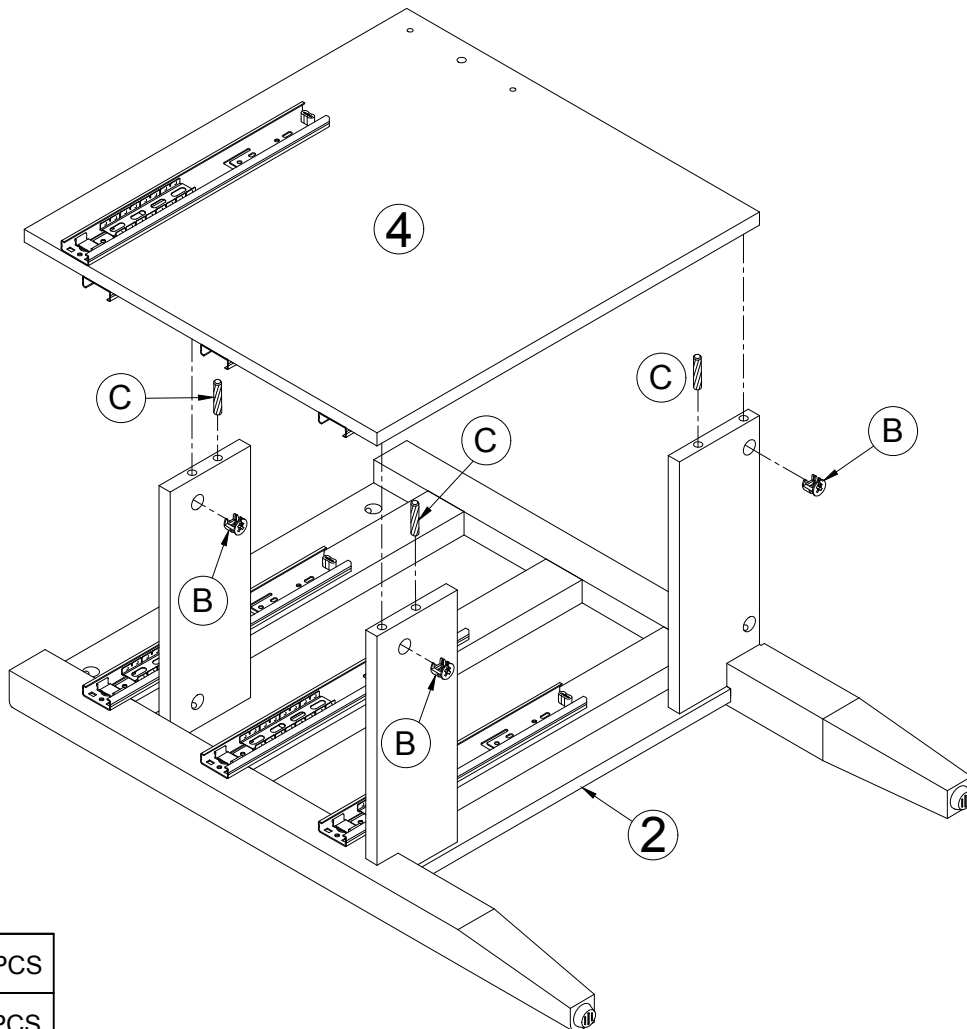
# ASSEMBLY INSTRUCTIONS



## STEP 7



B		3PCS
C		3PCS

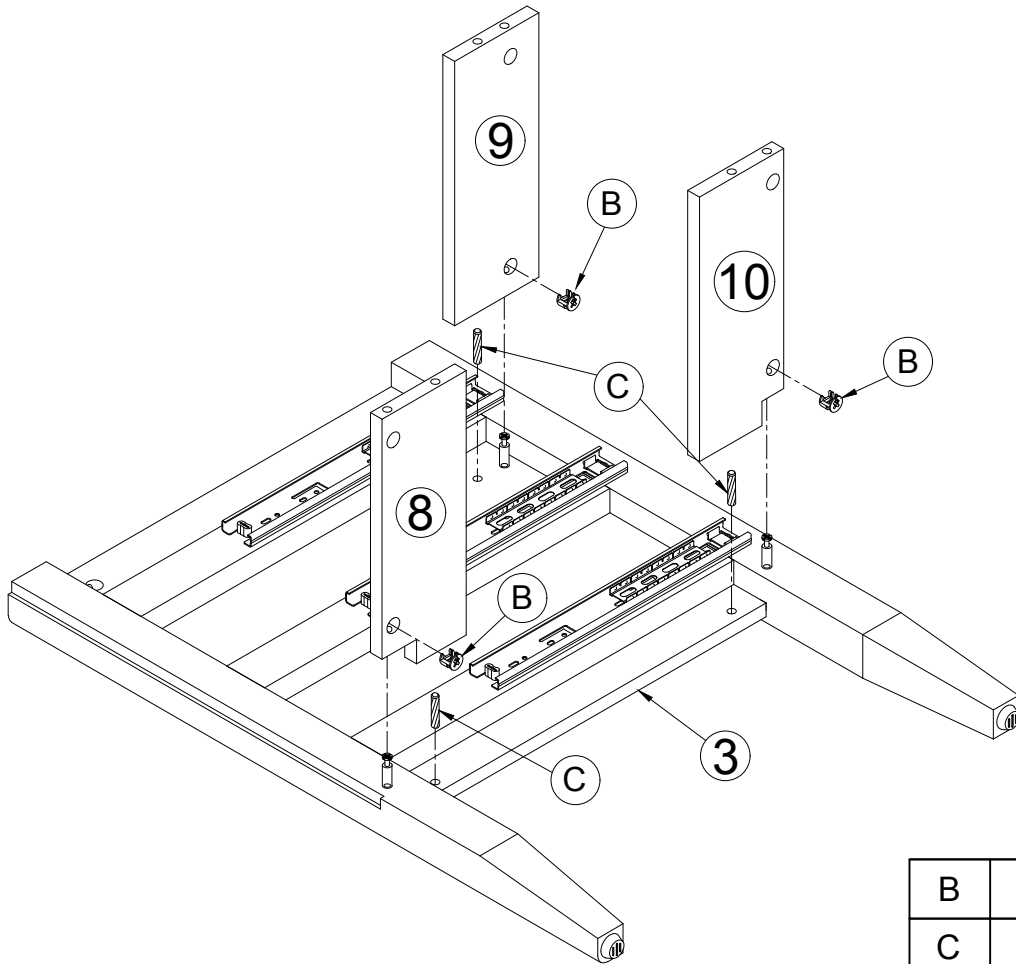
## STEP 8





B		3PCS
C		3PCS

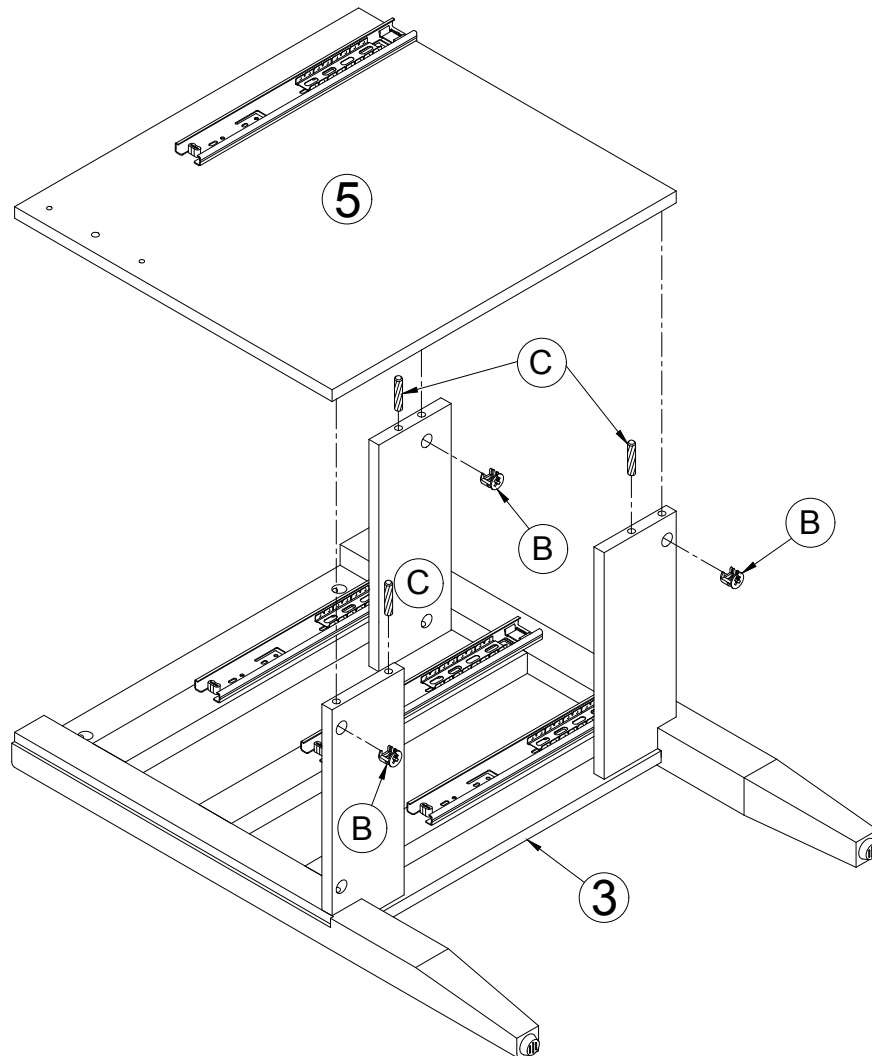
# ASSEMBLY INSTRUCTIONS



## STEP 9



B		3PCS
C		3PCS

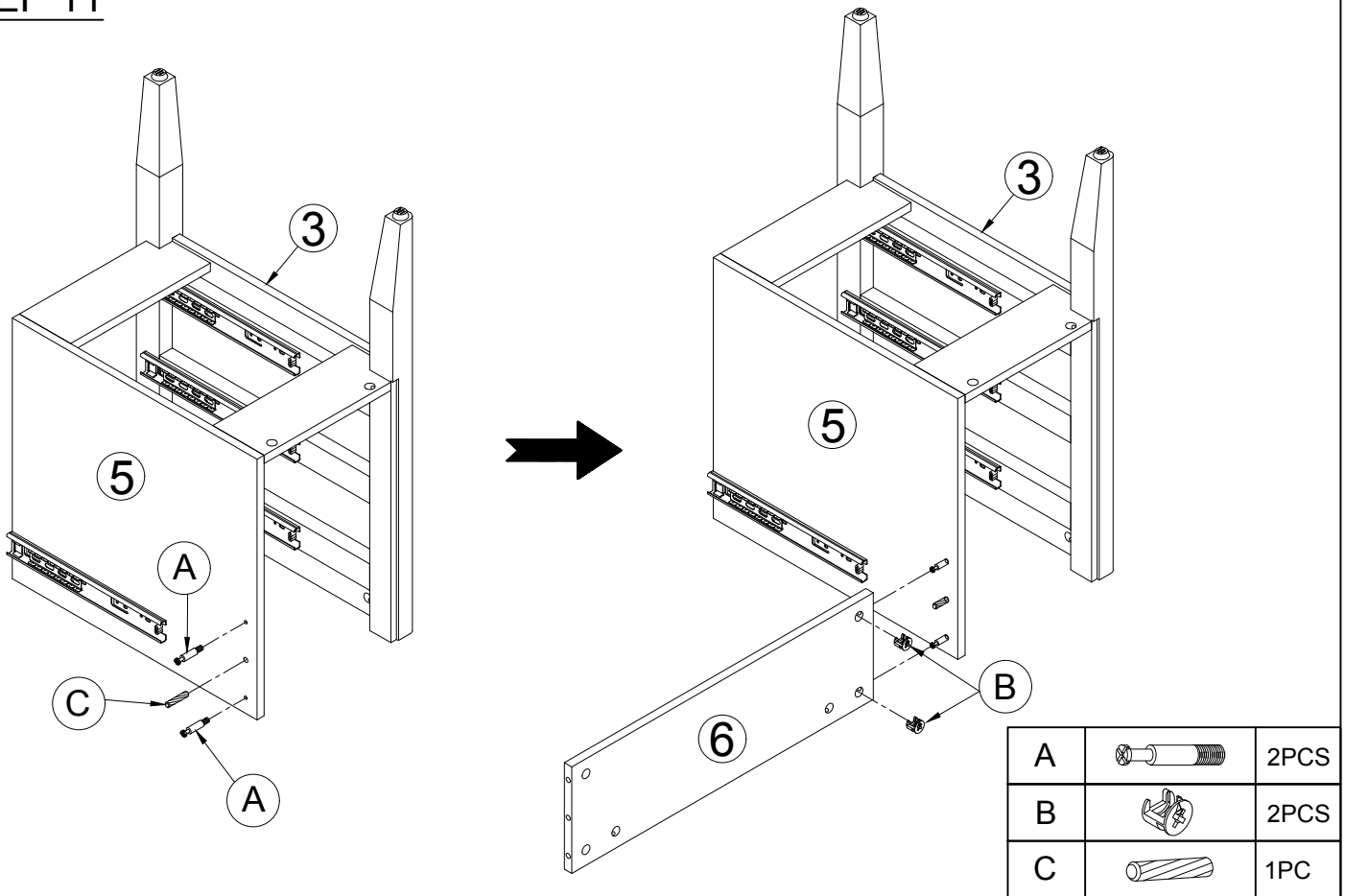
## STEP 10



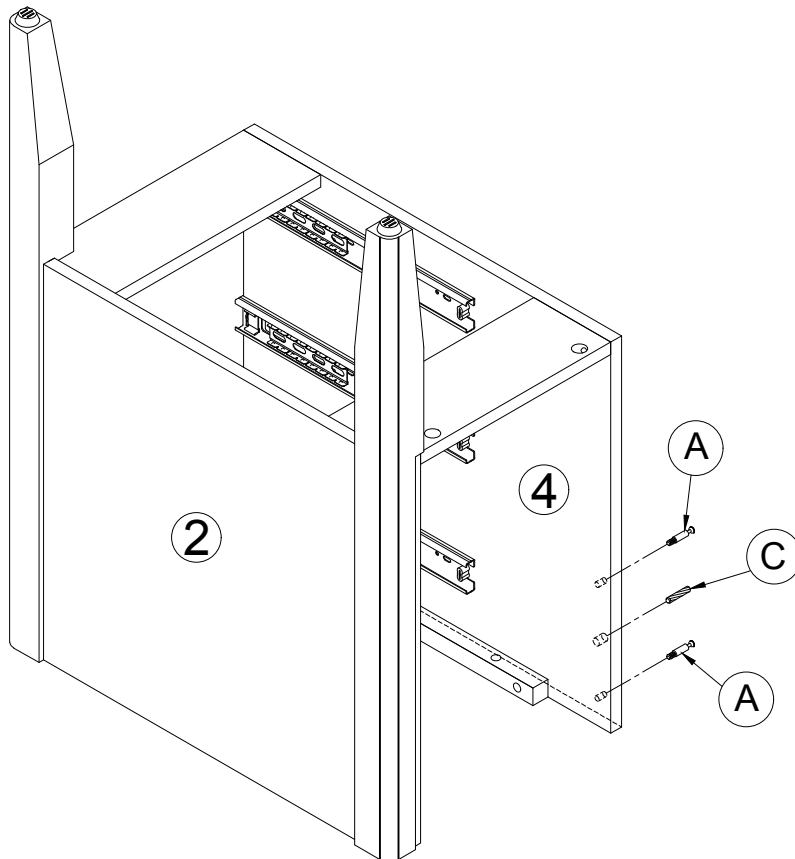
B		3PCS
C		3PCS

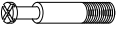

# ASSEMBLY INSTRUCTIONS

## STEP 11



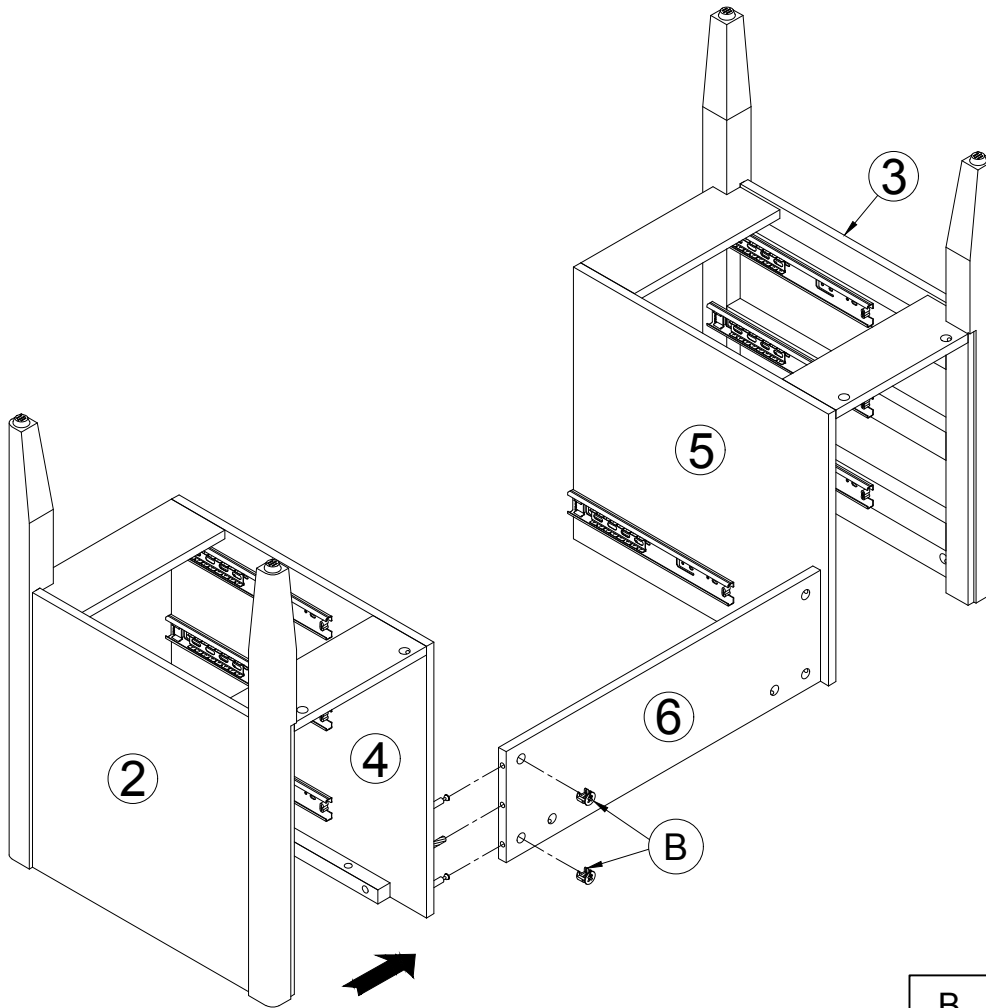
## STEP 12




A		2PCS
C		1PC

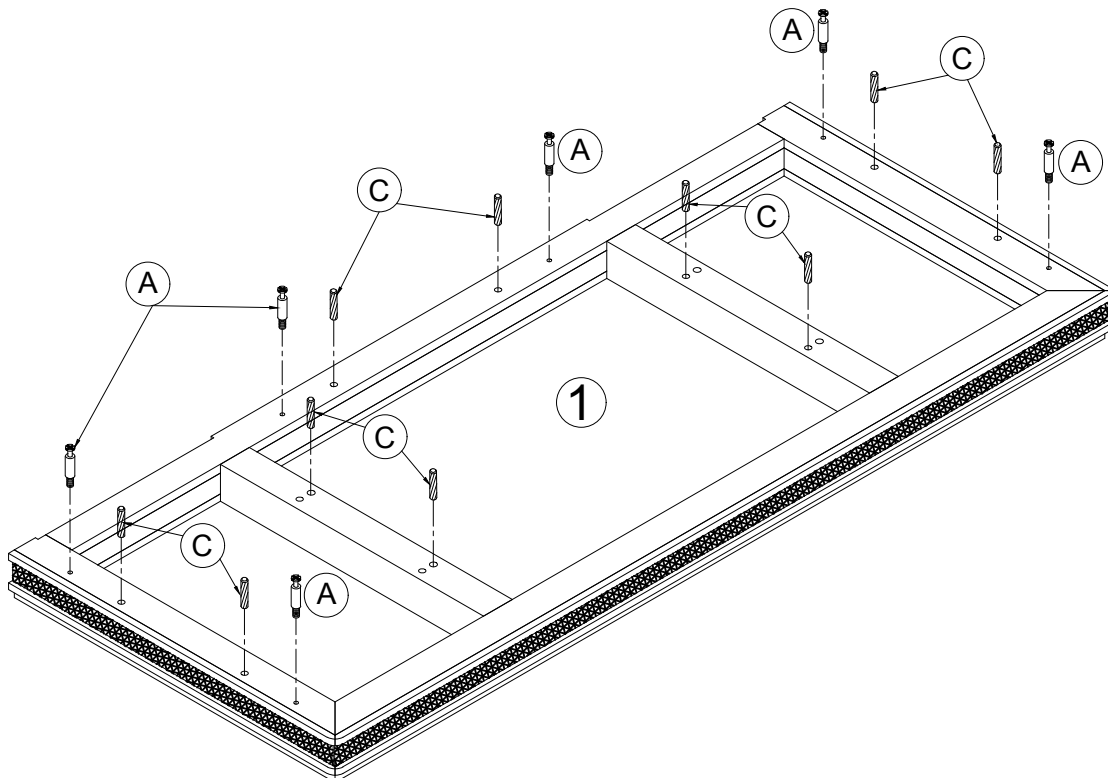
# ASSEMBLY INSTRUCTIONS

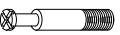

## STEP 13



B		2PCS
---	---	------

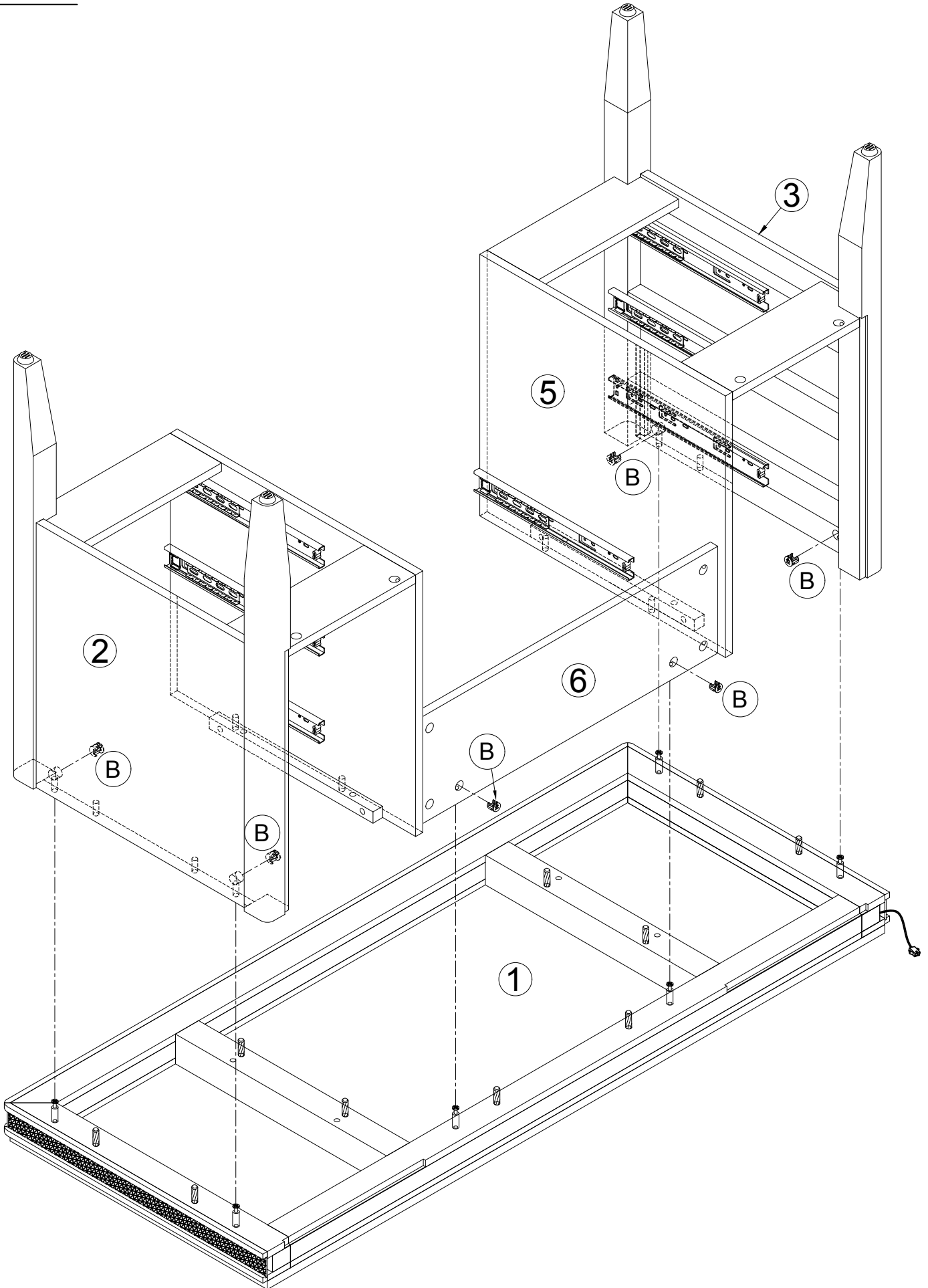
## STEP 14



A		6PCS
C		10PCS

# ASSEMBLY INSTRUCTIONS

## STEP 15



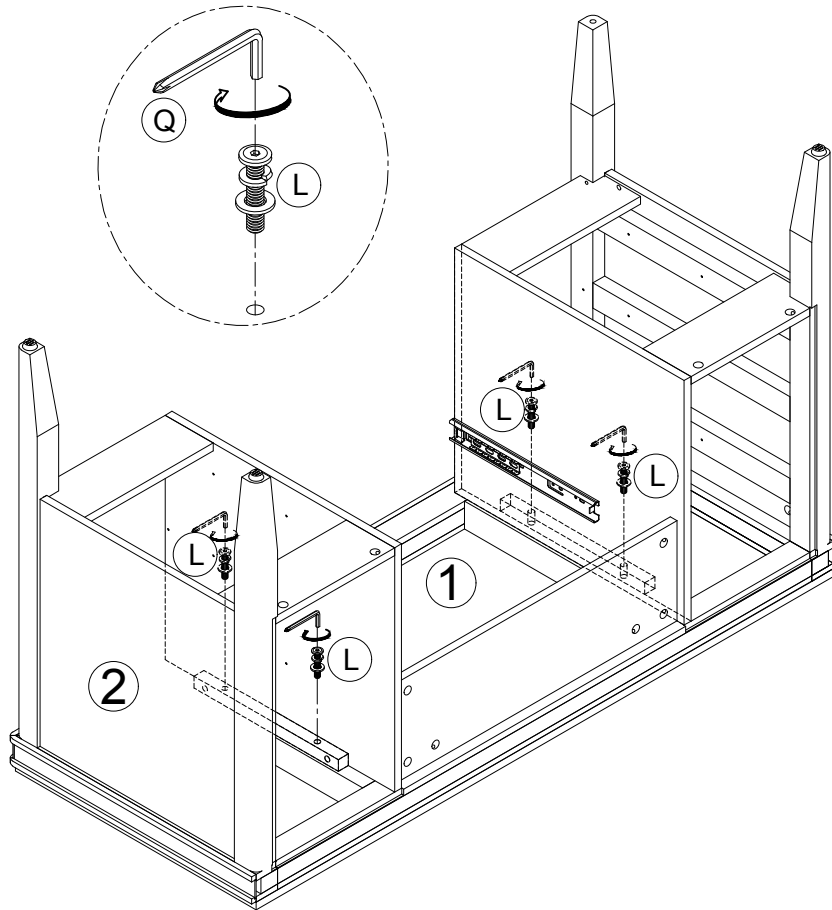
B





6PCS

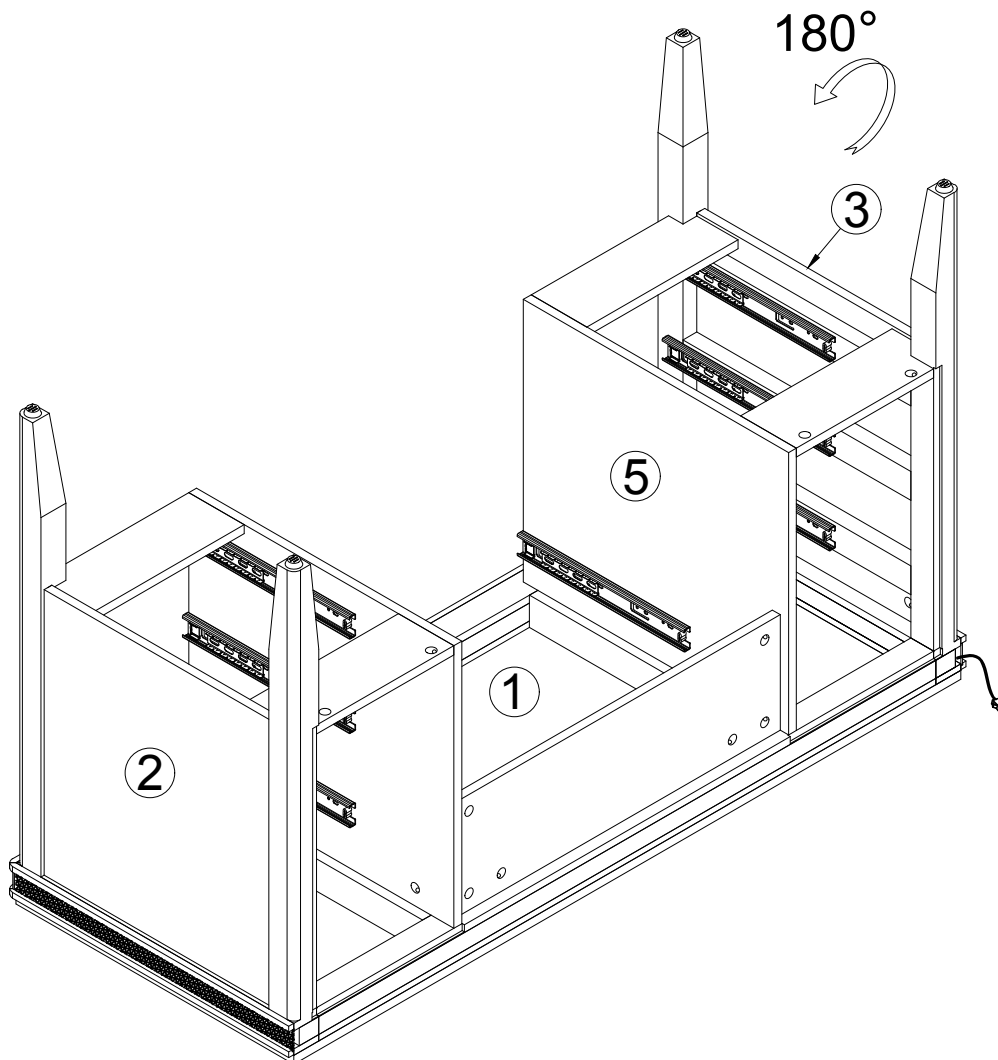
# ASSEMBLY INSTRUCTIONS

## STEP 16



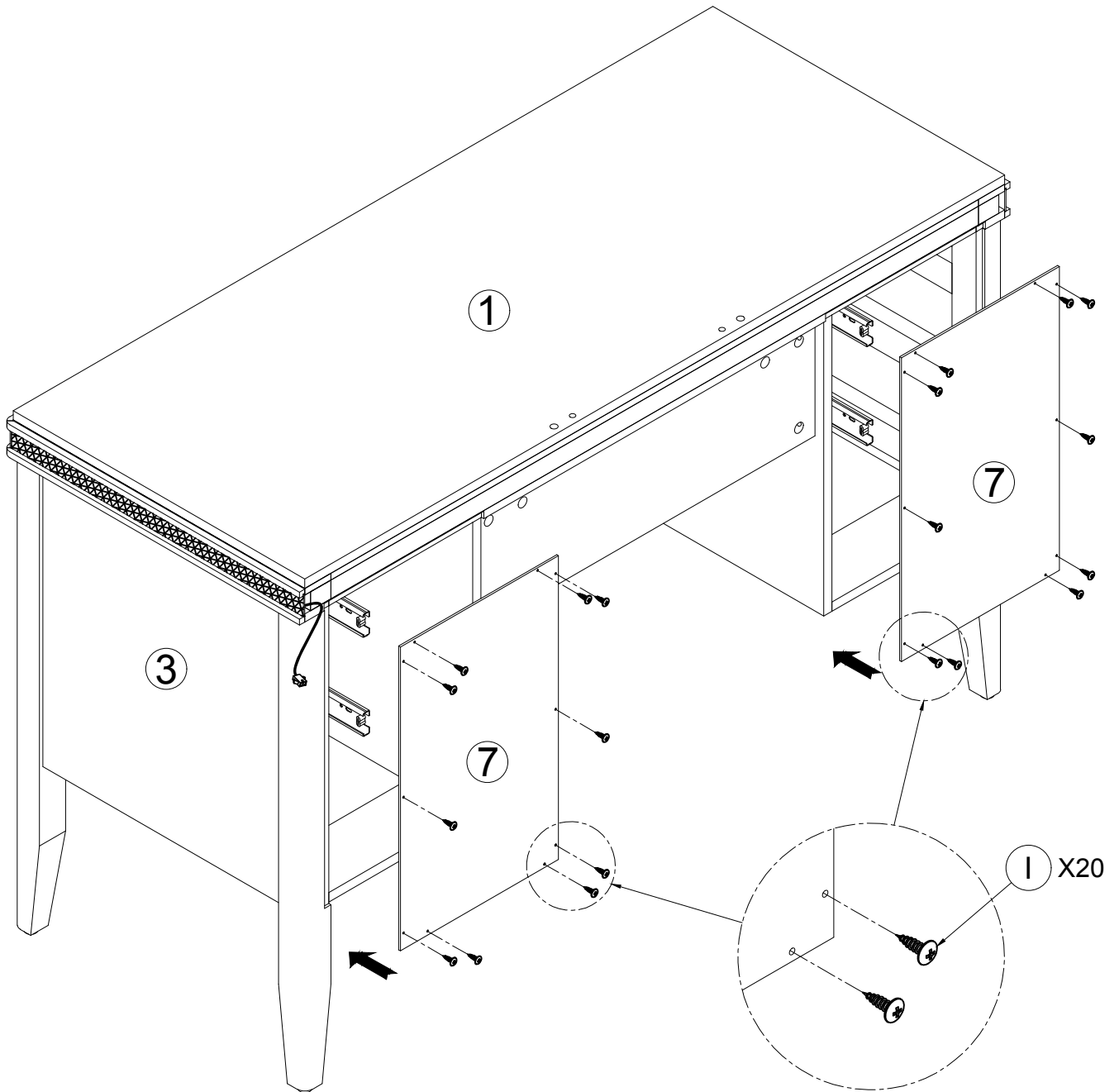
L		4PCS
Q		1PC

## STEP 17



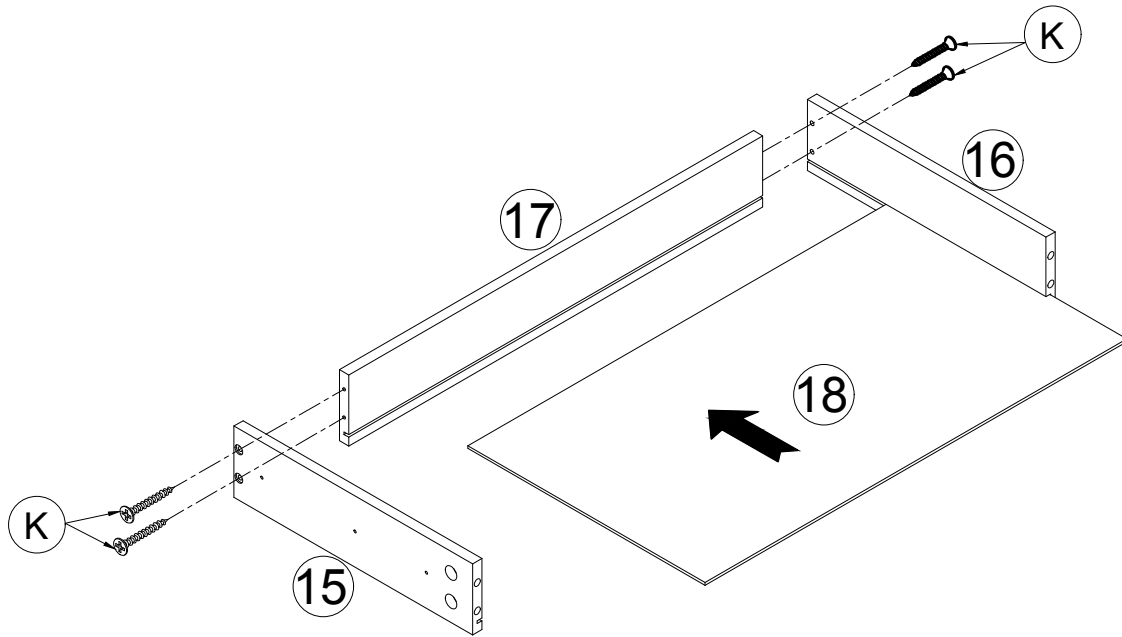
# ASSEMBLY INSTRUCTIONS

## STEP 18

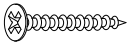


# ASSEMBLY INSTRUCTIONS

## STEP 19

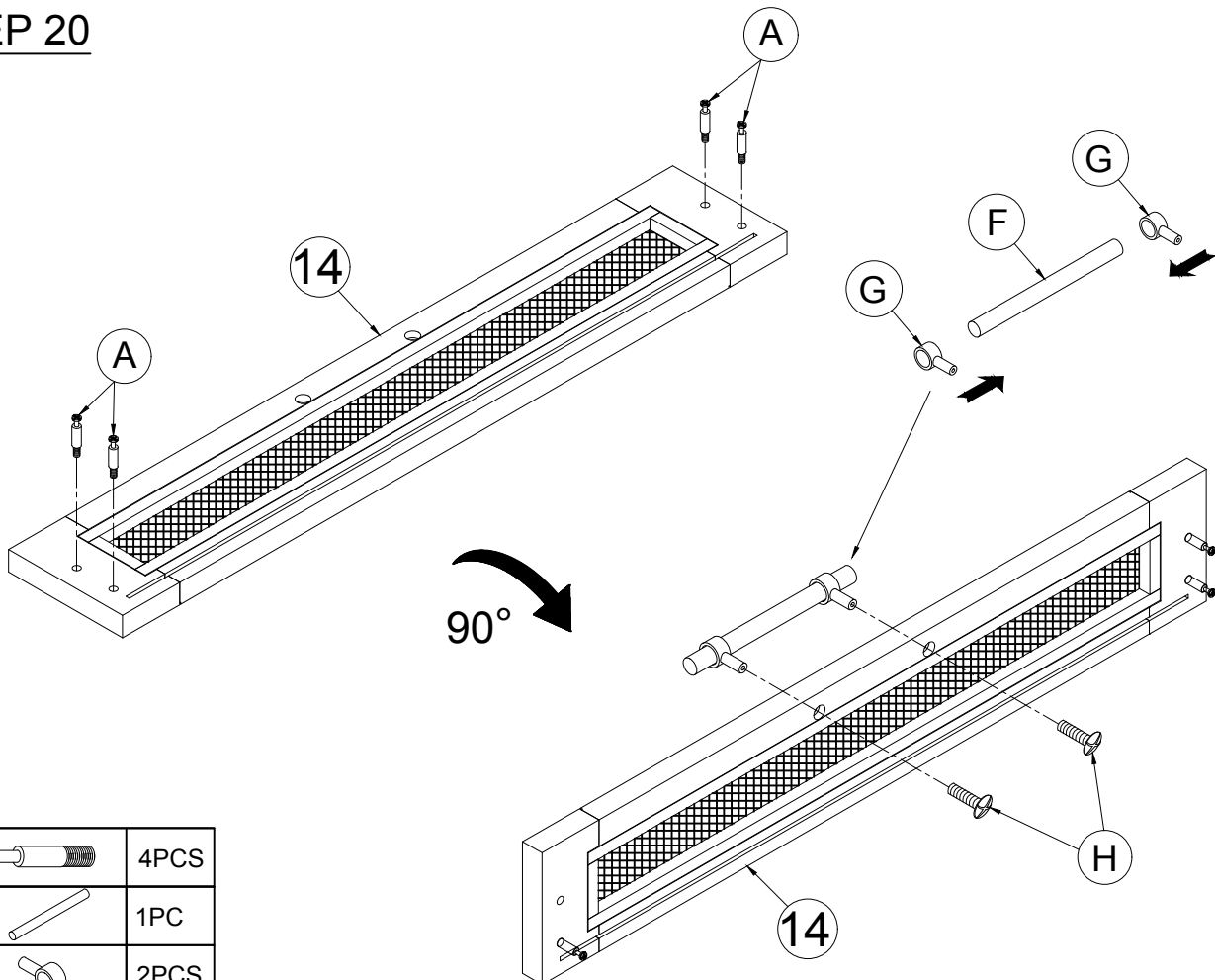


K

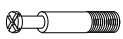


4PCS

## STEP 20



A



4PCS

F



1PC

G



2PCS

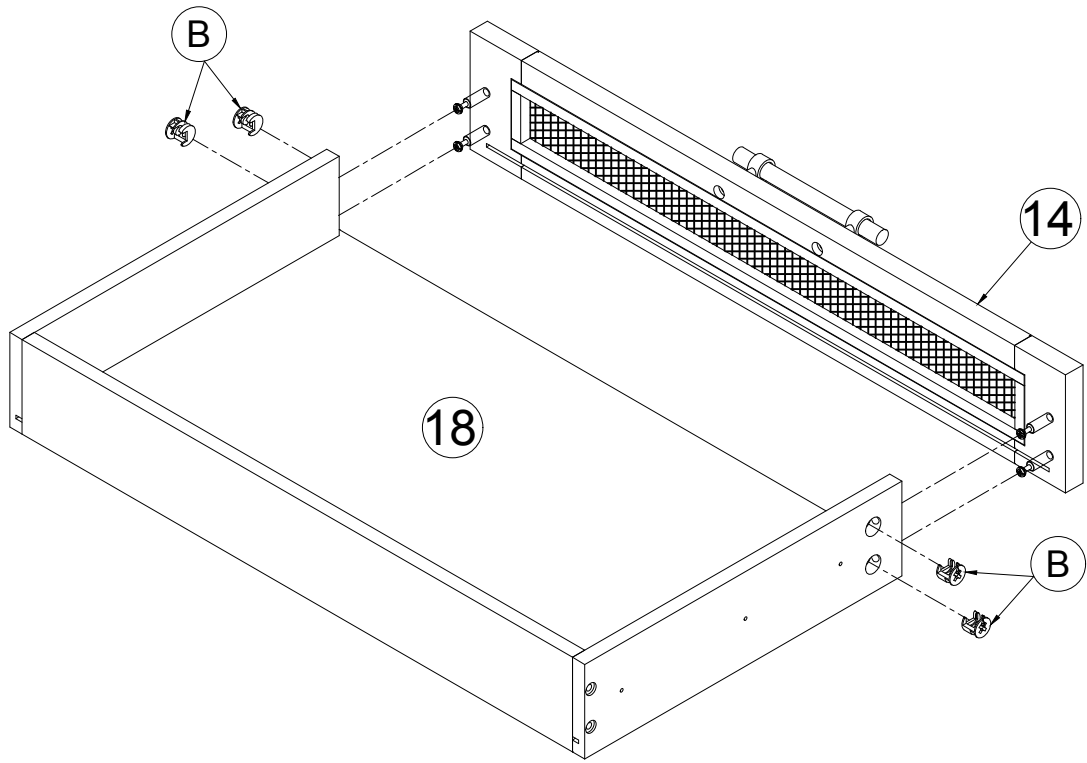
H




2PCS

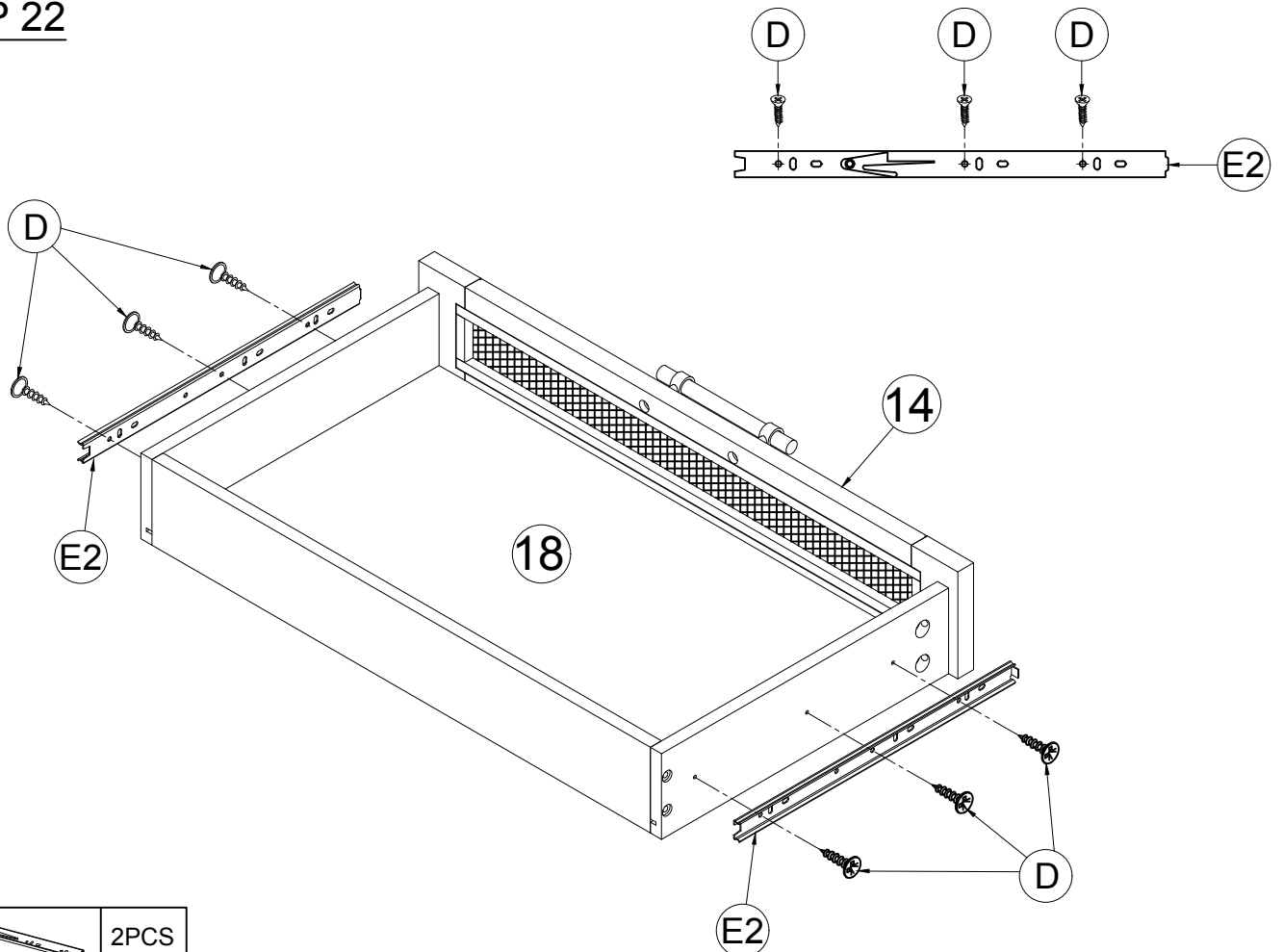
# ASSEMBLY INSTRUCTIONS



## STEP 21



B		4PCS
---	---	------

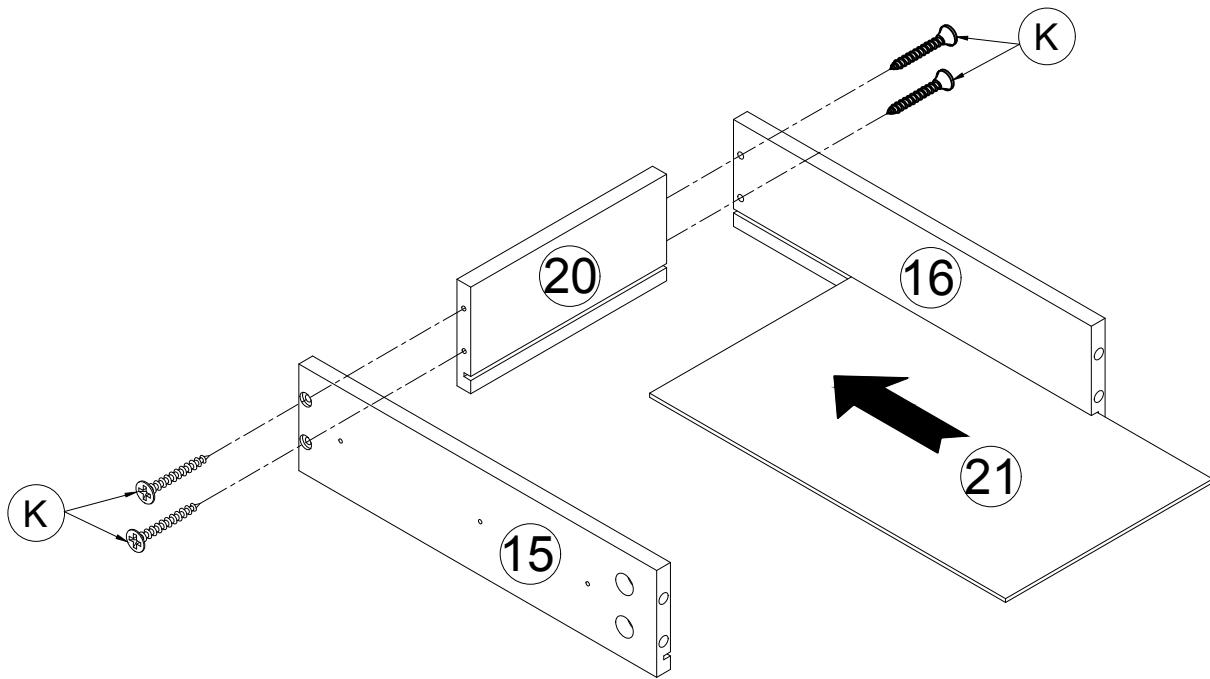
## STEP 22

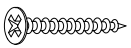


E2		2PCS
D		6PCS

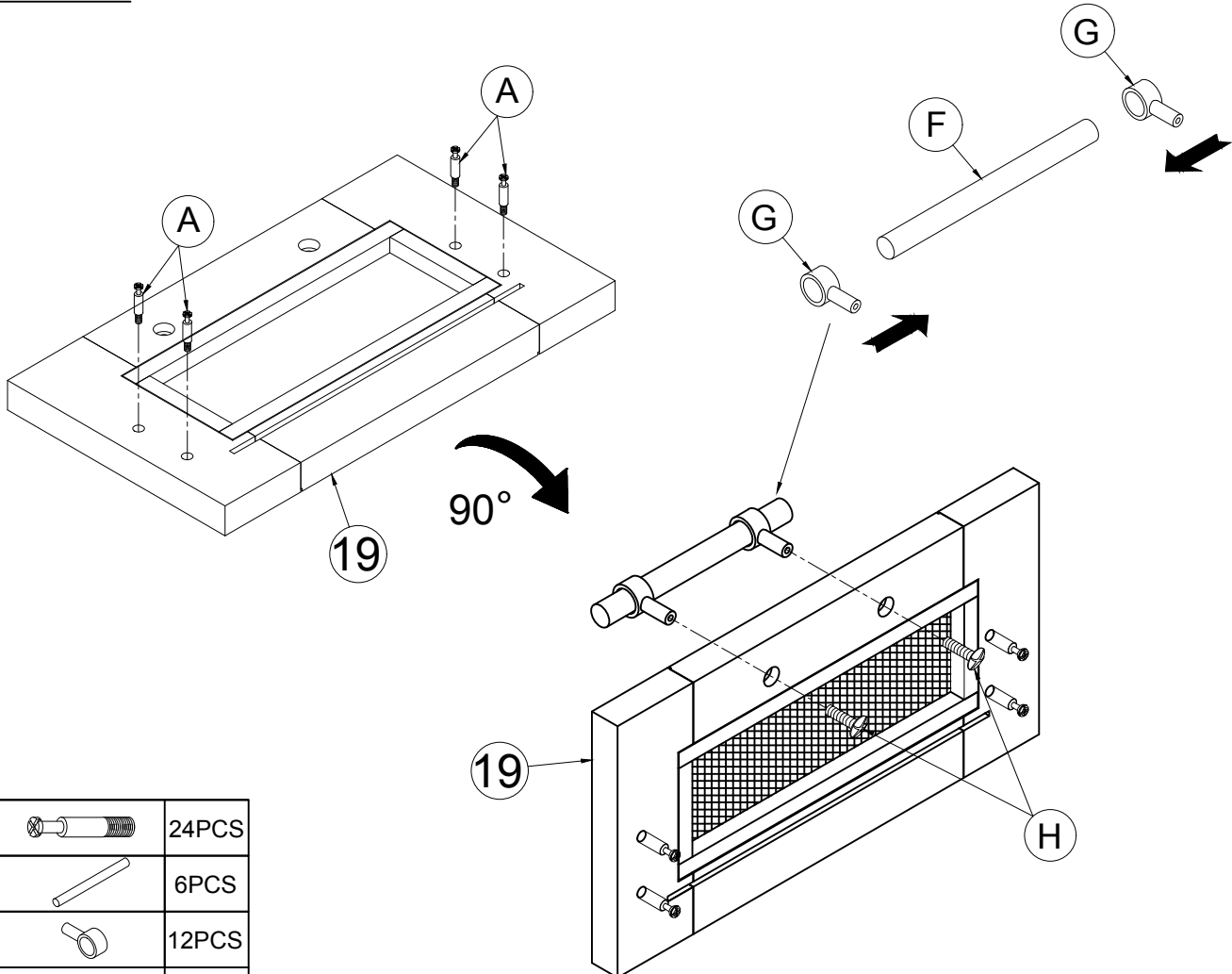
# ASSEMBLY INSTRUCTIONS

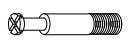
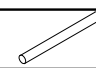

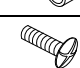
## STEP 23 x6 Set



K		24PCS
---	---	-------

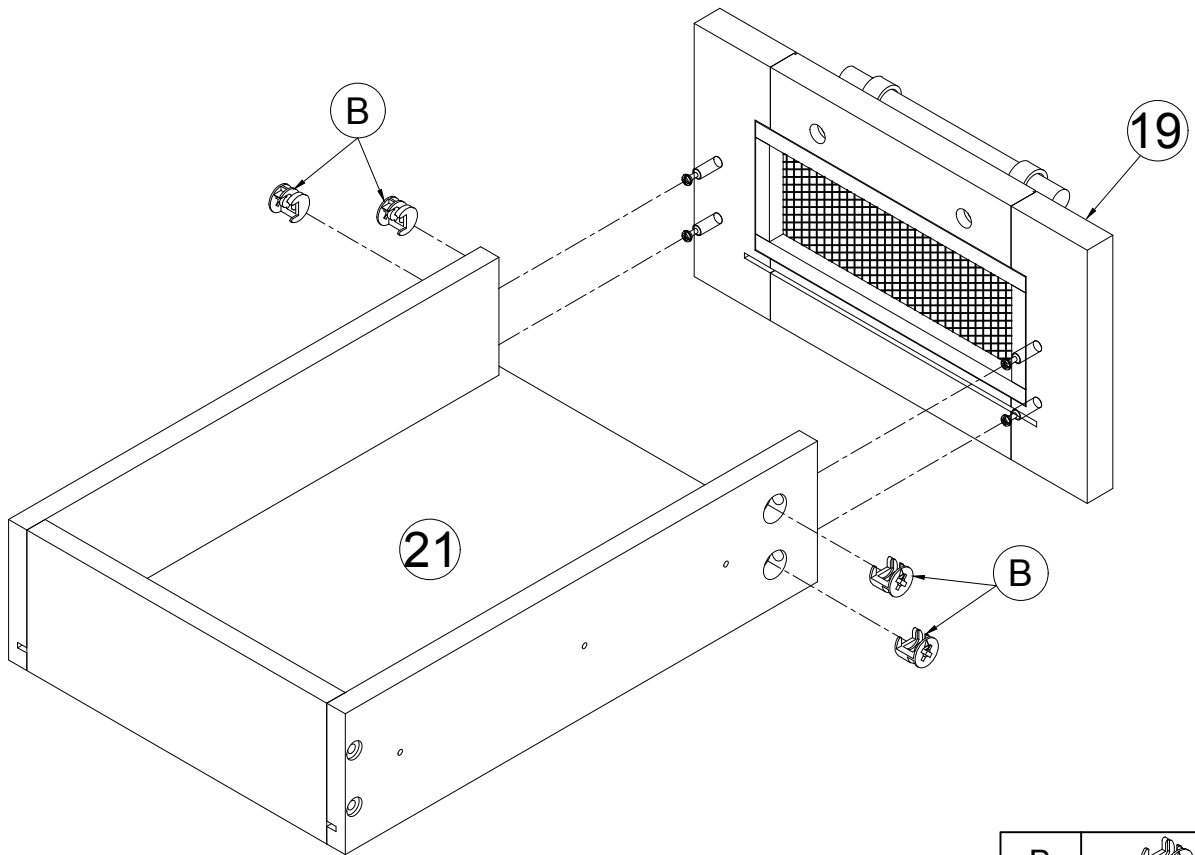
## STEP 24 x6 Set




A		24PCS
F		6PCS
G		12PCS
H		12PCS

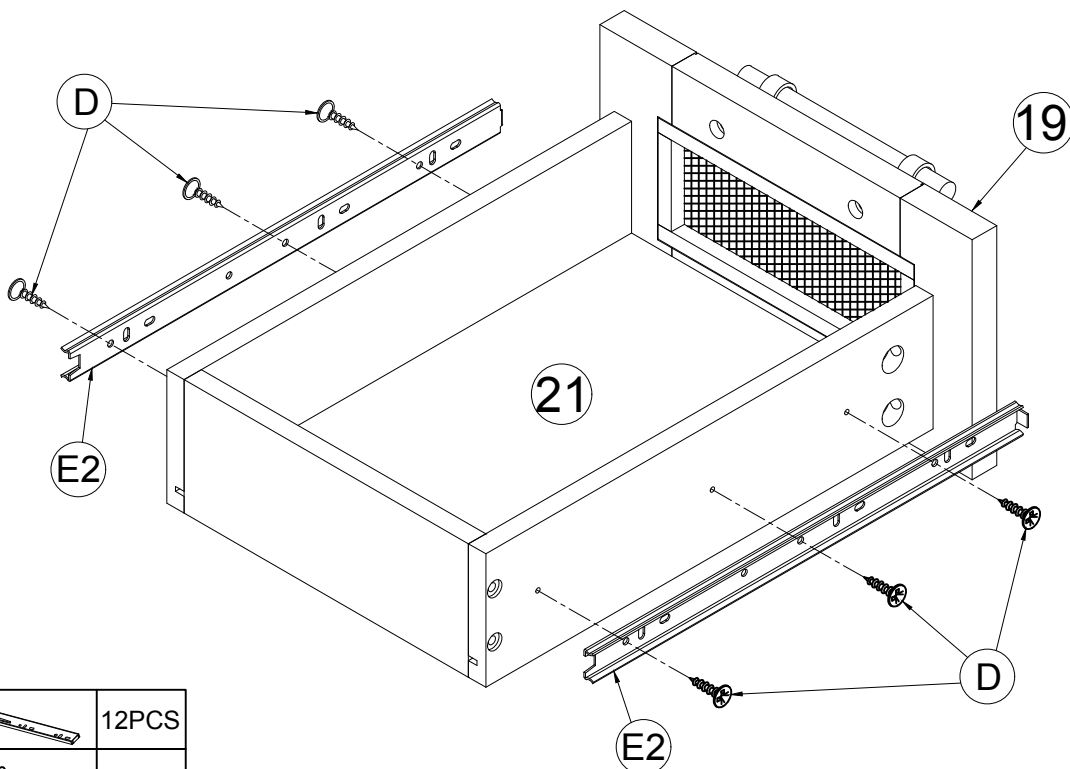
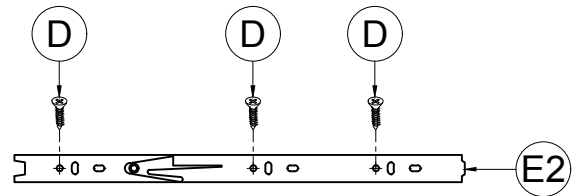
# ASSEMBLY INSTRUCTIONS



## STEP 25 x6 Set



B		24PCS
---	---	-------

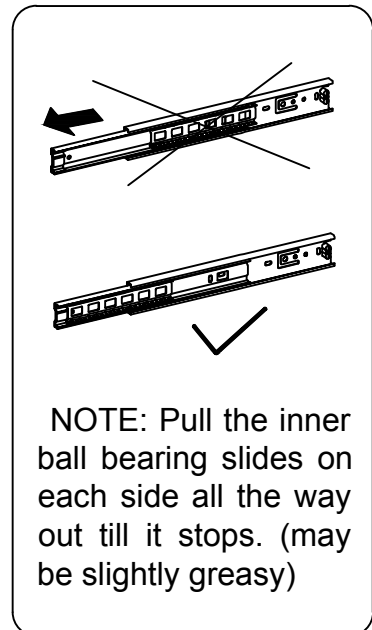
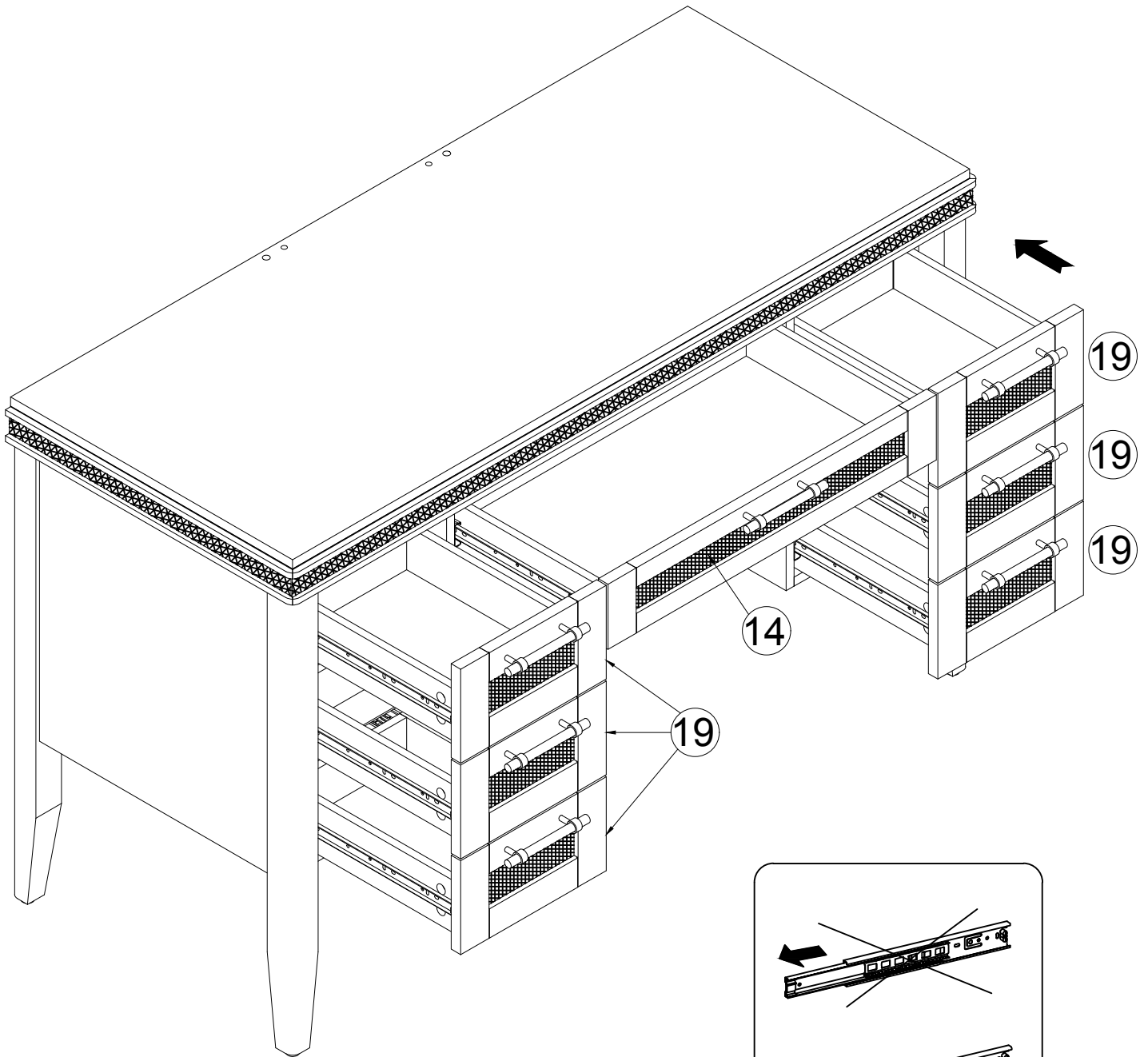
## STEP 26 x6 Set



E2		12PCS
D		36PCS

# ASSEMBLY INSTRUCTIONS

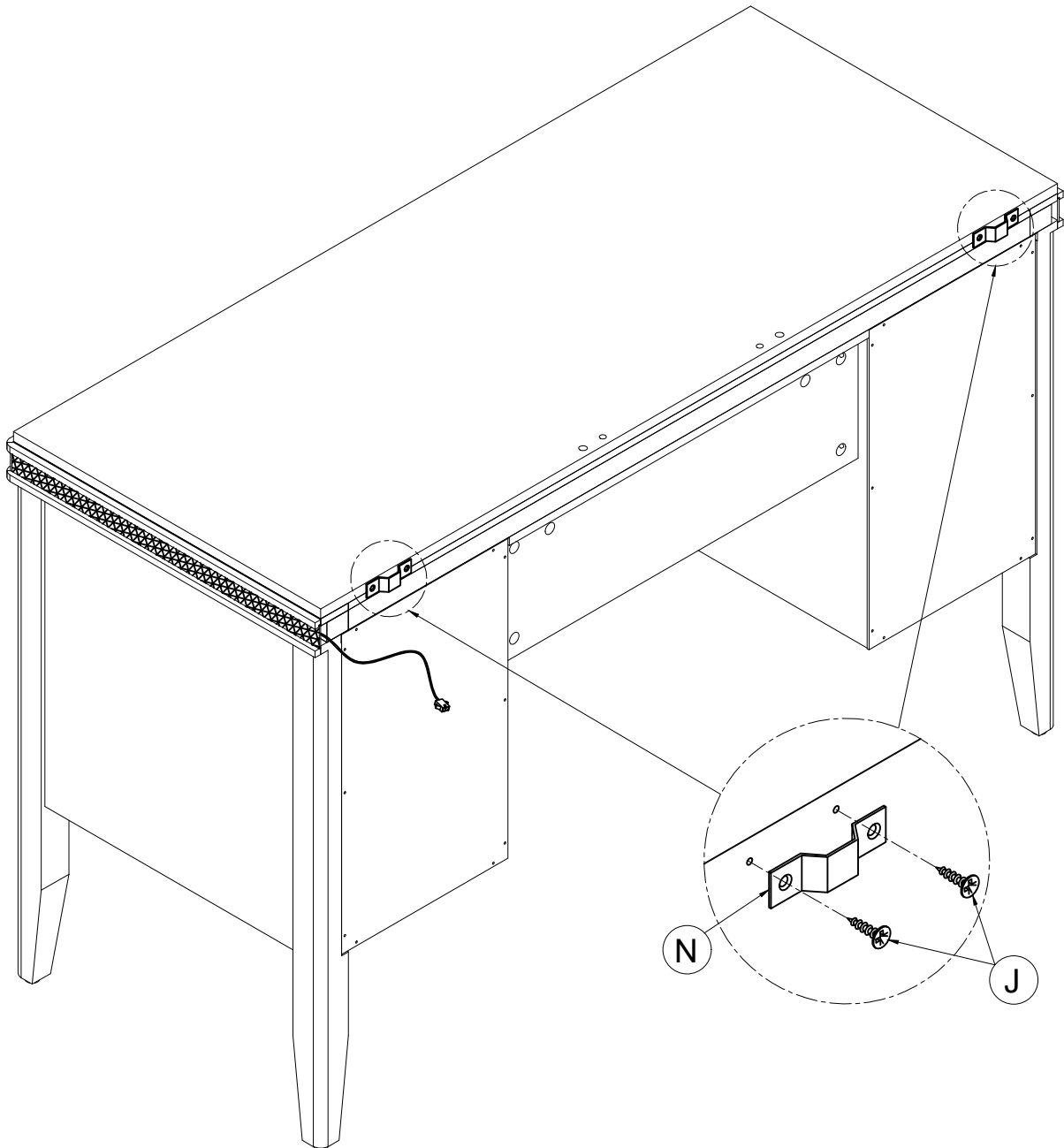
## STEP 27





NOTE: Pull the inner ball bearing slides on each side all the way out till it stops. (may be slightly greasy)

# ASSEMBLY INSTRUCTIONS

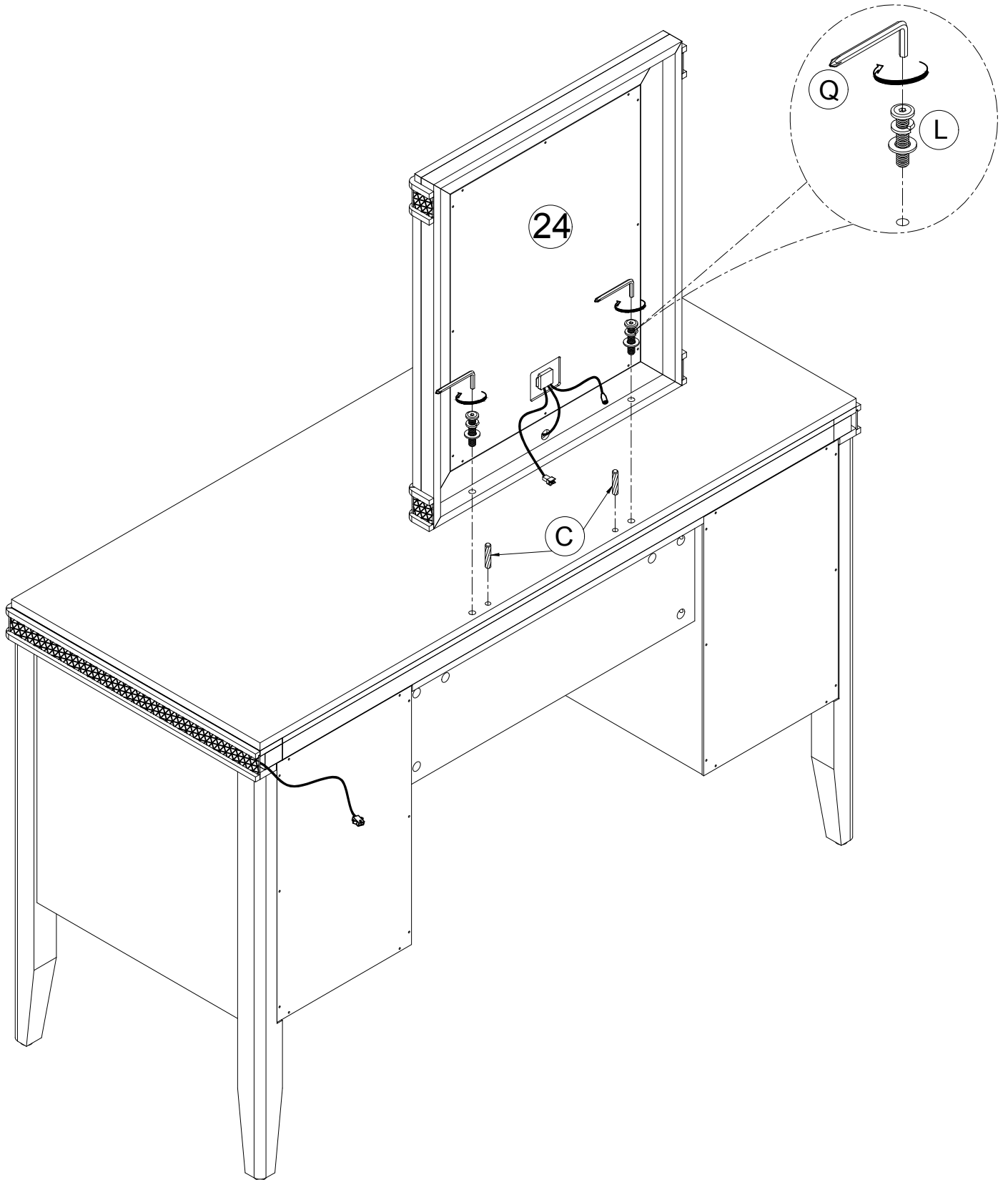
## STEP 28






N		2PCS
J		4PCS

# ASSEMBLY INSTRUCTIONS

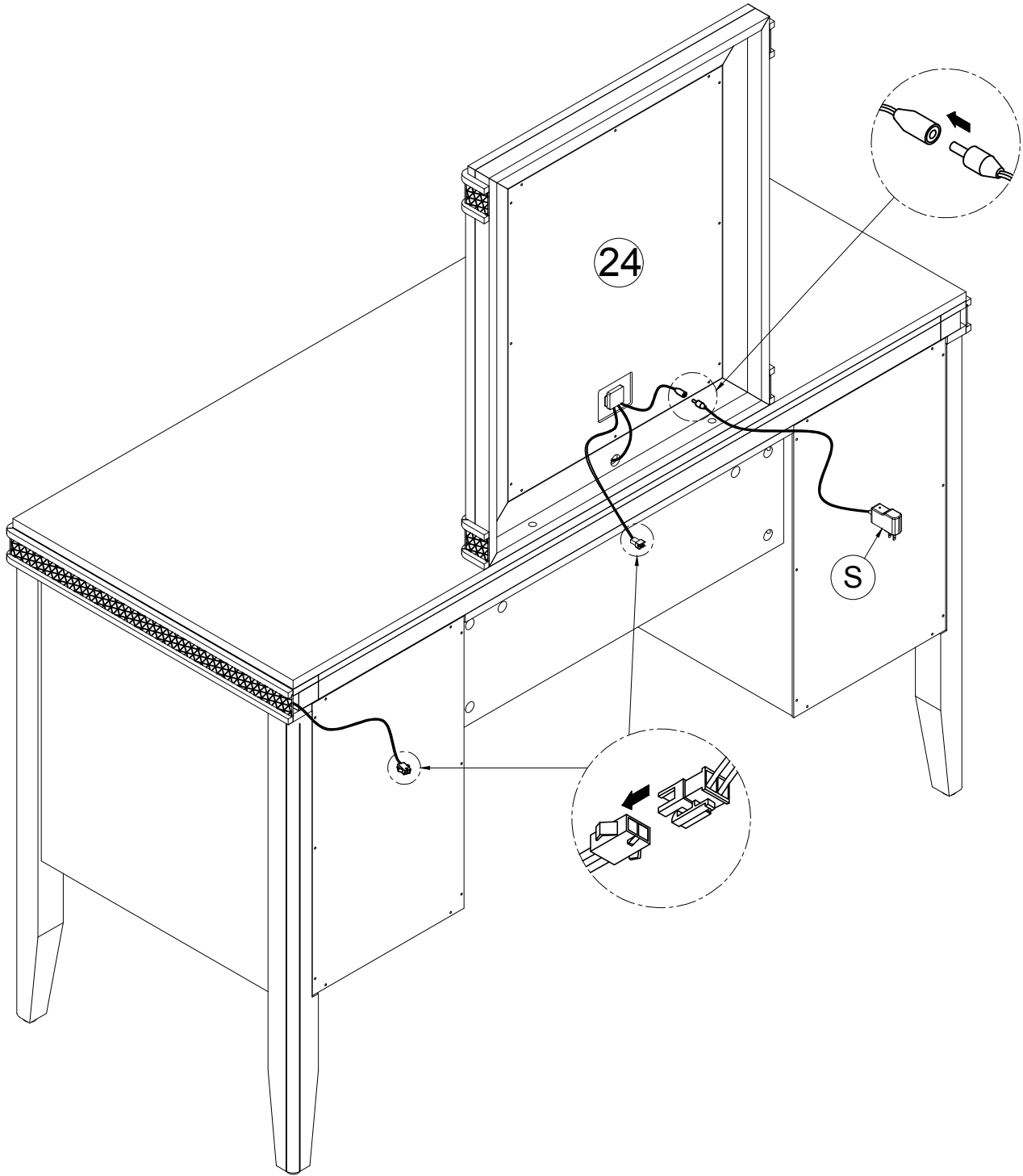
## STEP 29

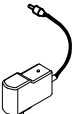


C		2PCS
L		2PCS
Q		1PC

# ASSEMBLY INSTRUCTIONS

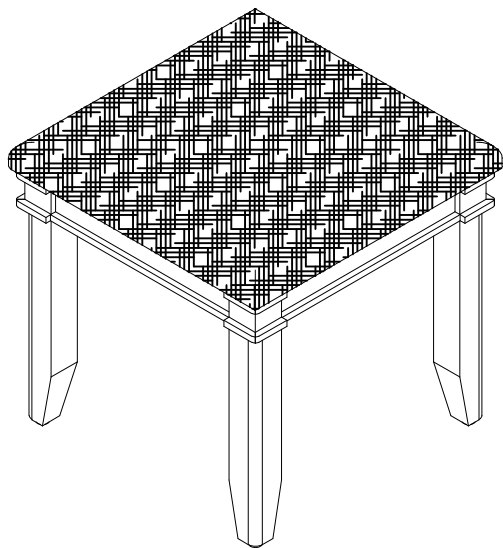
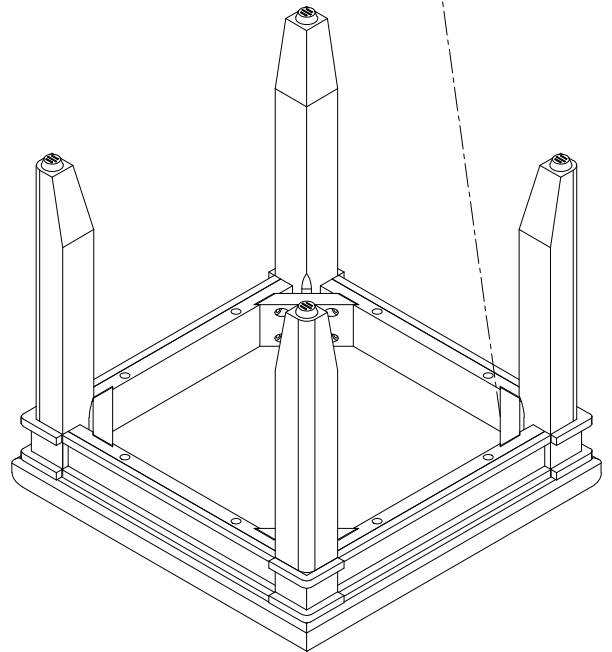
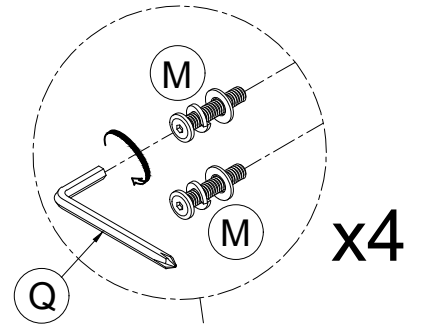
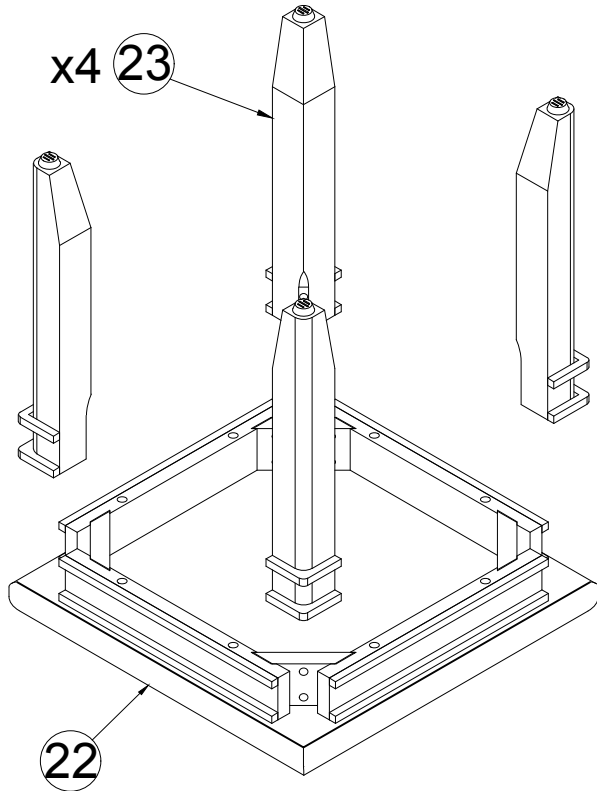
## STEP 30





S		1PC
---	---	-----

# ASSEMBLY INSTRUCTIONS

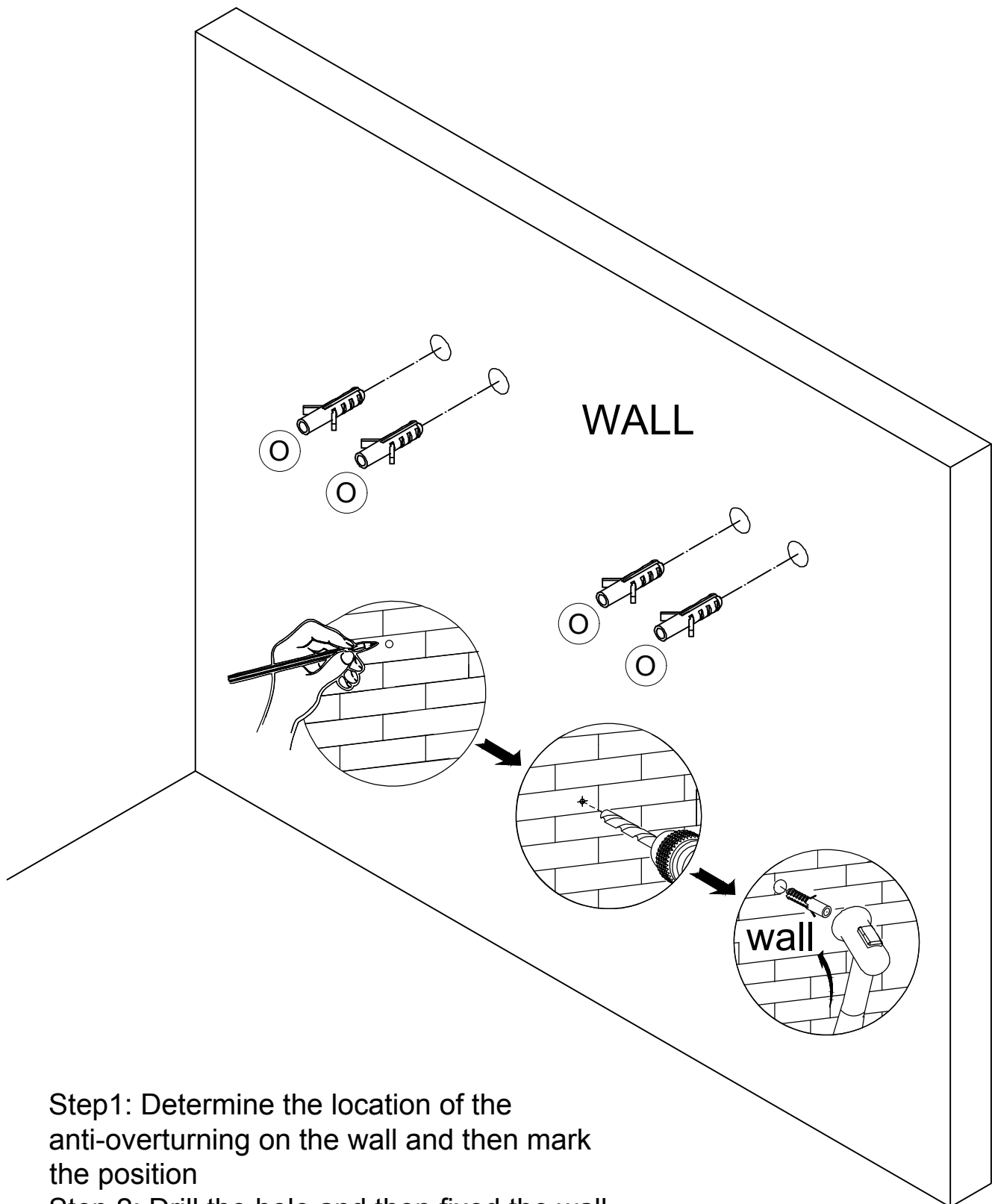
## STEP 31



M		8PCS
Q		1PC

# ASSEMBLY INSTRUCTIONS

## STEP 32

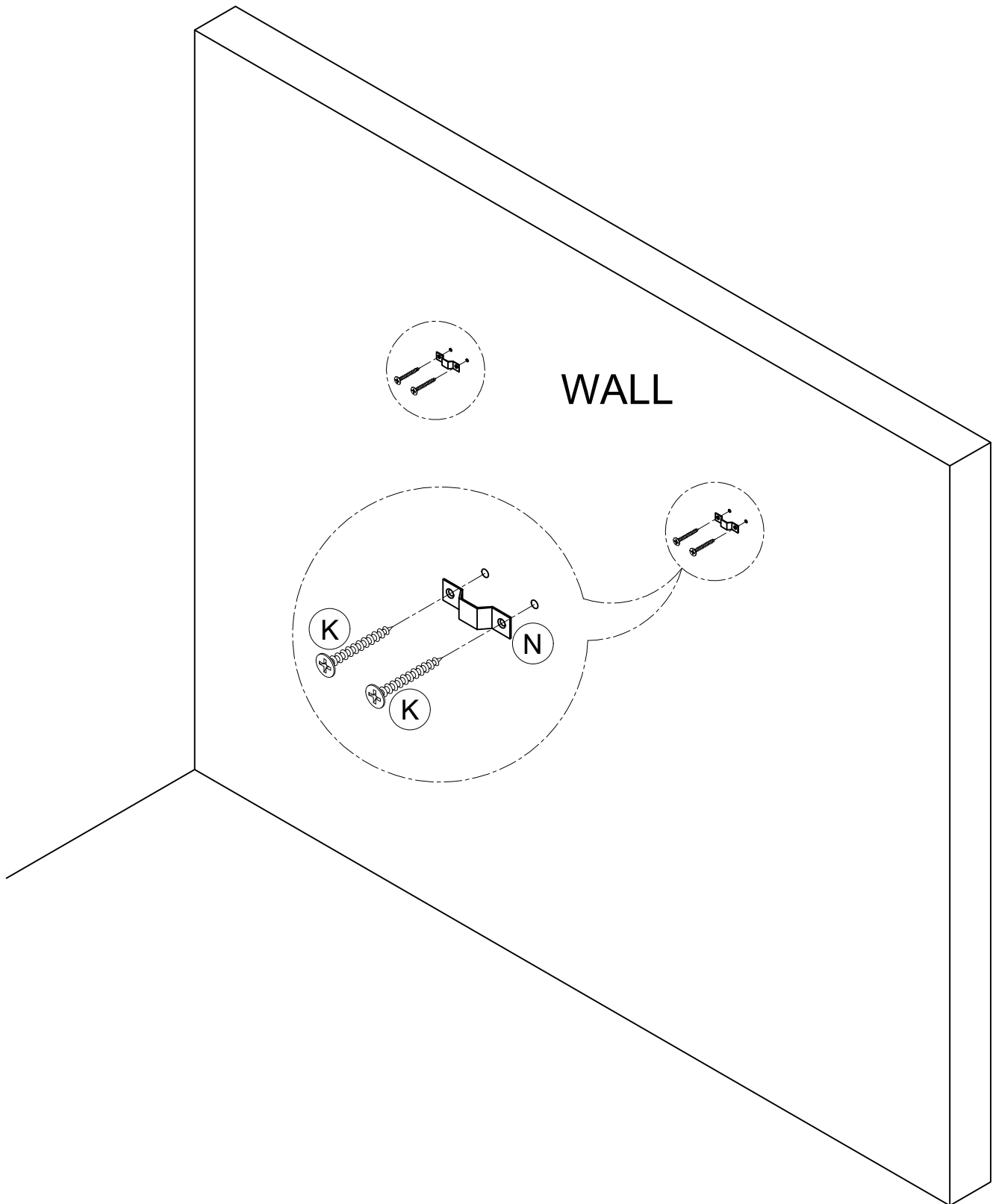


Step1: Determine the location of the anti-overturning on the wall and then mark the position


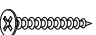
Step 2: Drill the hole and then fixed the wall plug (O) on the wall

# ASSEMBLY INSTRUCTIONS

## STEP 33



Step 3: use screw (K) to fix (N) on the wall

N		2PCS
K		4PCS

# ASSEMBLY INSTRUCTIONS

## STEP 34

