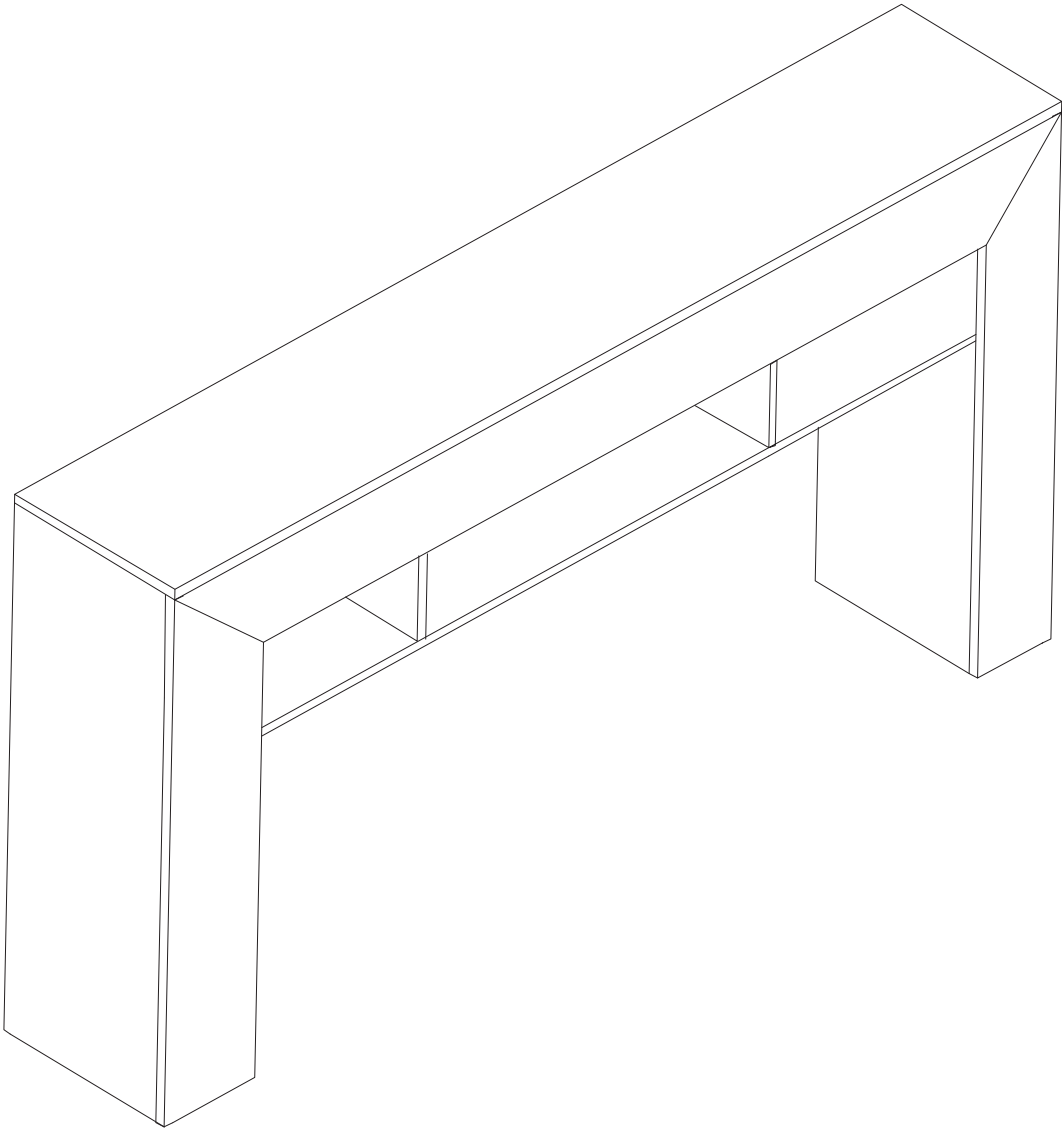


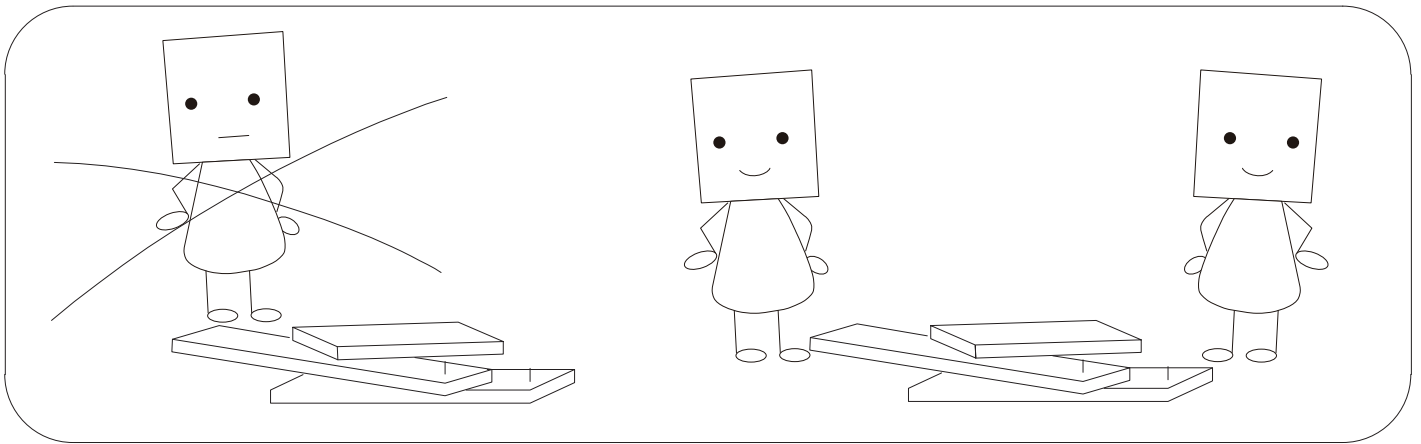
# ASSEMBLY INSTRUCTION



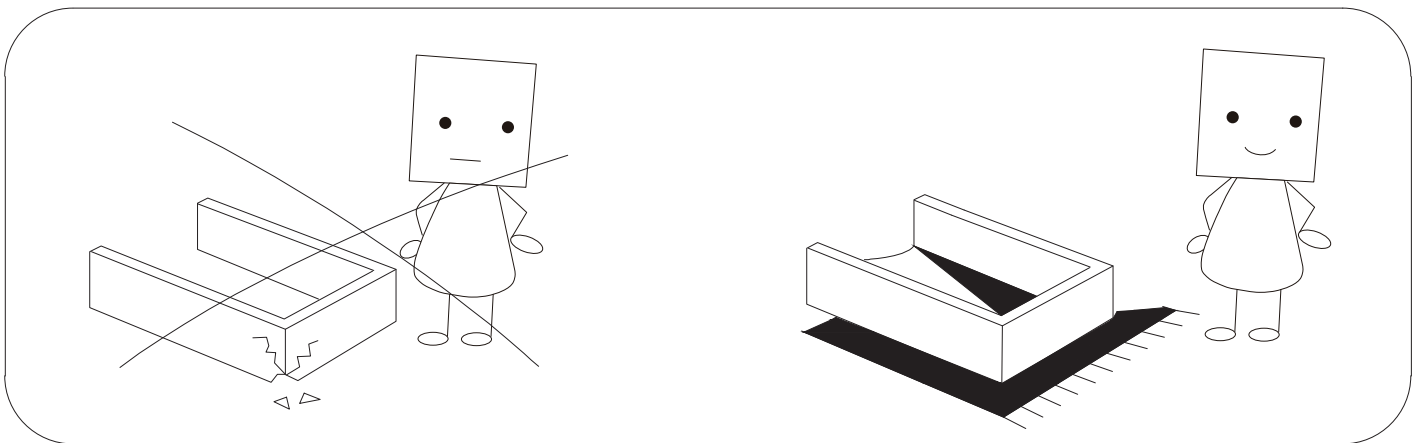


# WARNING

Need Two Or More People To Complete

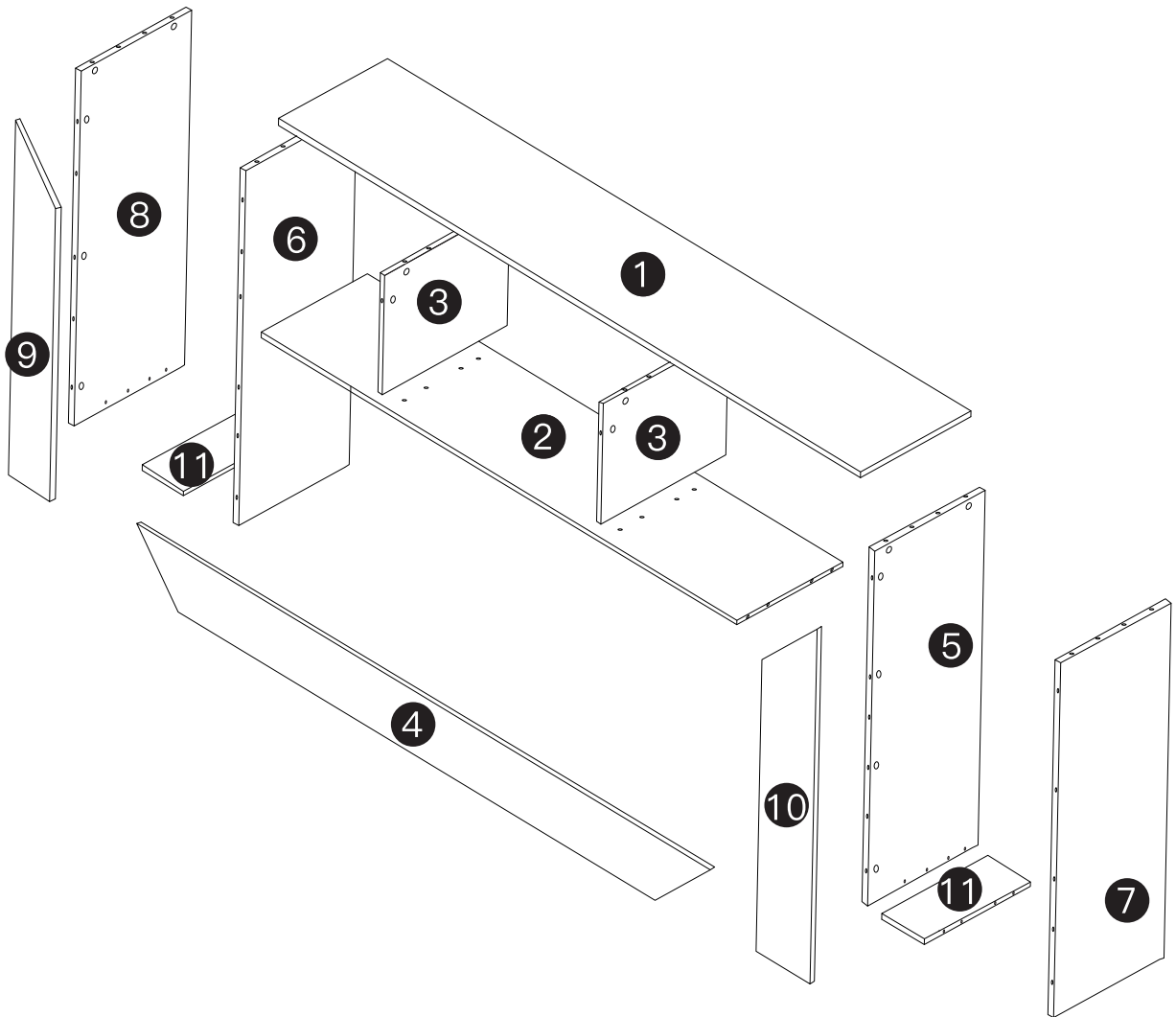


Assemble Item On a Clean Flat Surface



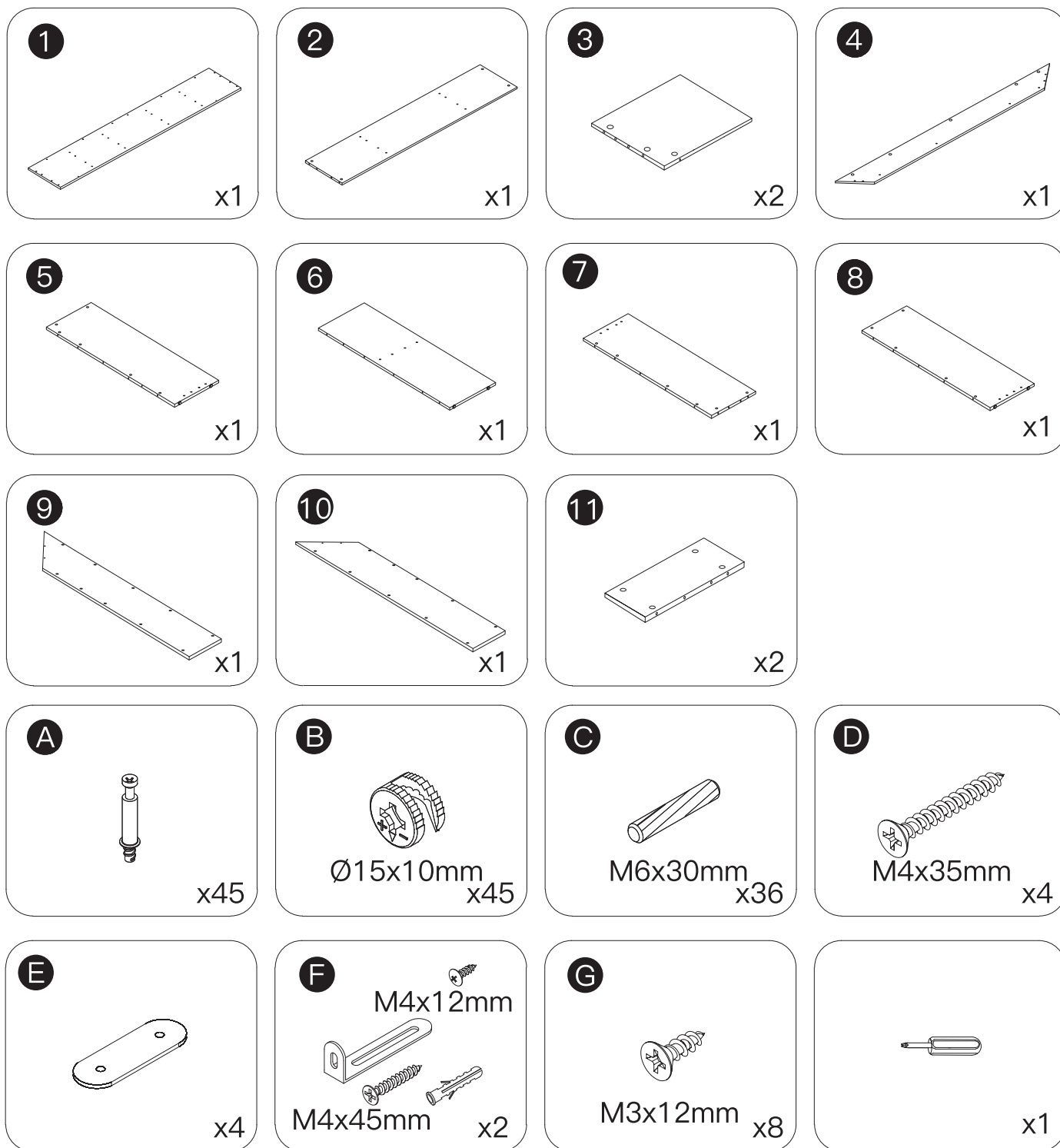
- Please check you have all hardware before assembling.
- Please ensure you have the name of the item and hardware part required and quantity.
- If you have any questions, please contact us by original purchase platform. we will reply you ASAP.
- For the safety of you and your family, it is necessary to install Anti-Tip Device Kit.

# EXPLODED DRAWING:



Please check all parts and accessories according to the parts list before assembling, make sure all contents are sufficient and in good condition. If there is any parts missing or defective, please contact us with purchase platform message immediately to get replacement parts.

## PARTS:

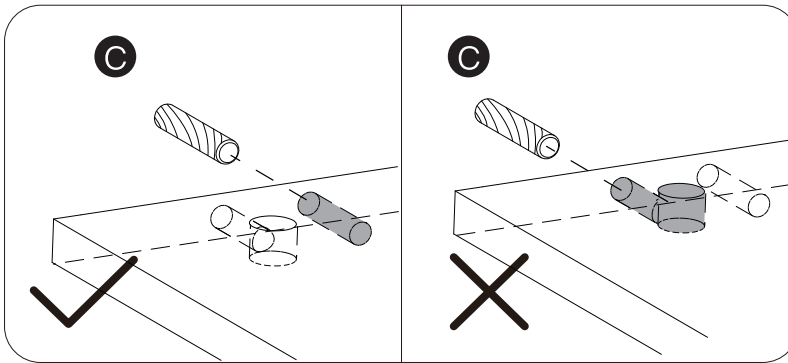


# HOW TO INSTALL

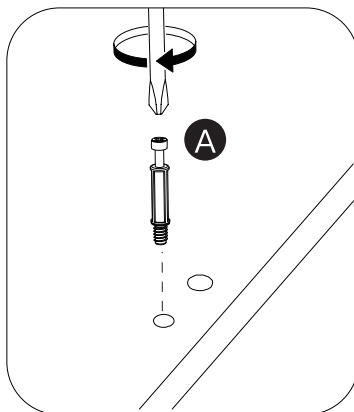
## NOTICE:

1. Use electric drill for easier installation experience.
2. Please drive the screws in pre-drilled holes.
3. Please strictly follow the instruction and diagram in every step.
4. Make sure every part is on the right position, otherwise it may cause unnecessary problem.
5. Select the proper component via the label on every part while assembling.

## REMARK:



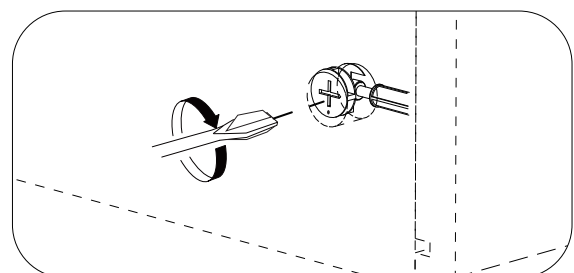
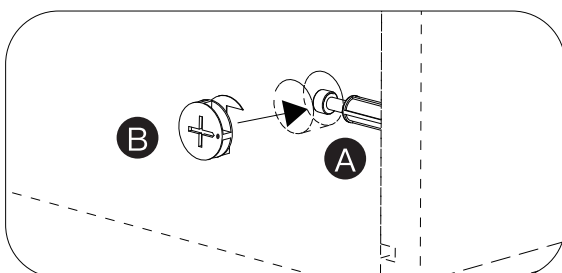
Avoid inserting part C into wrong holes.



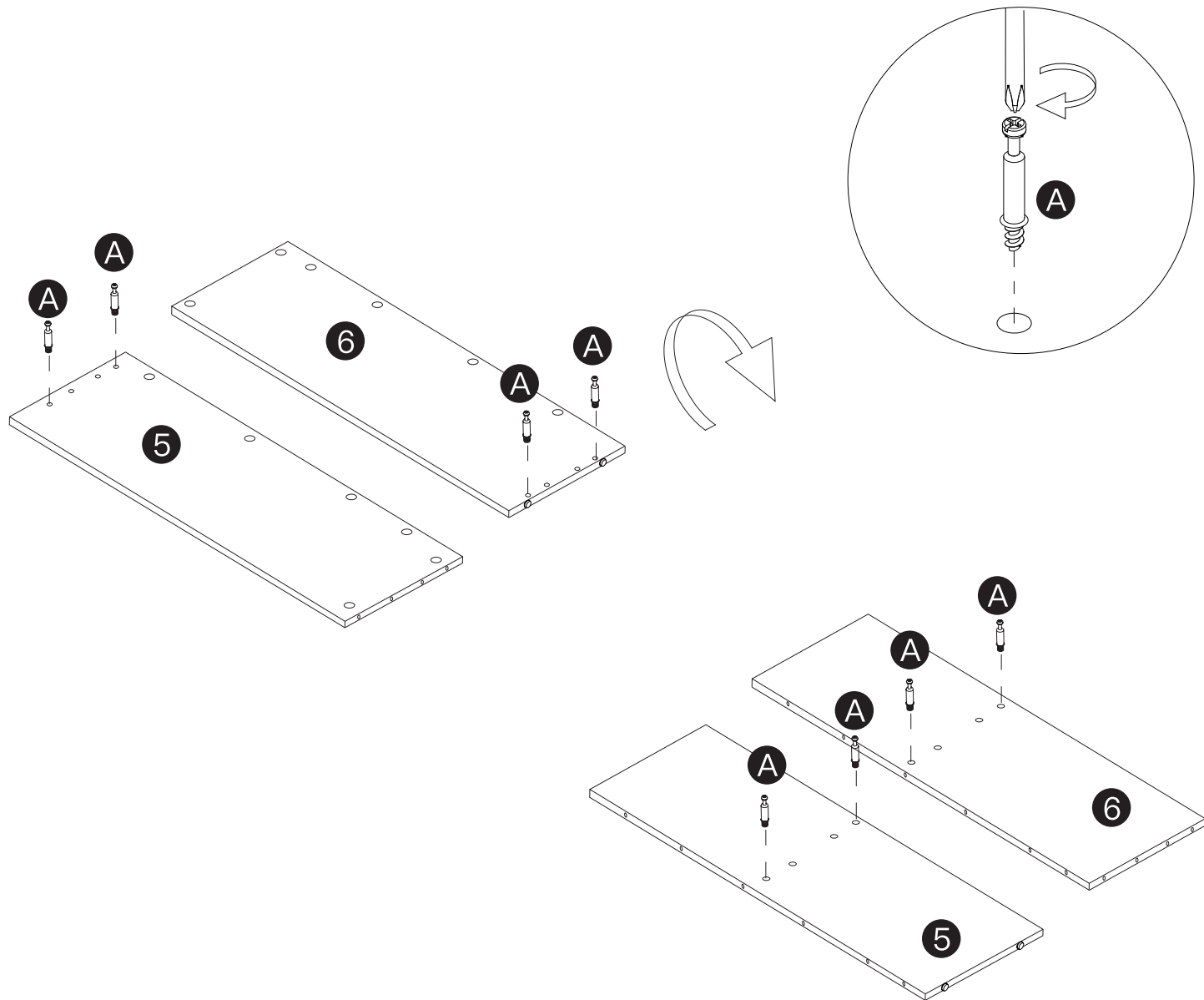
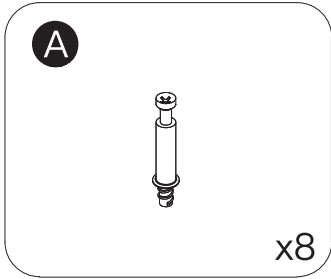
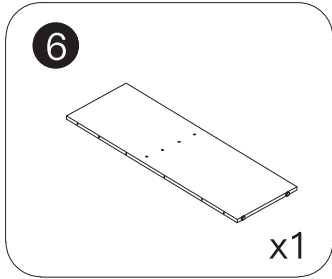
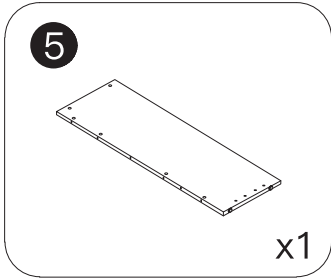
Part A must be installed into the holes with rubber nuts which are smaller than others.

Please ensure that part A is facing the direction of the gap of part B .

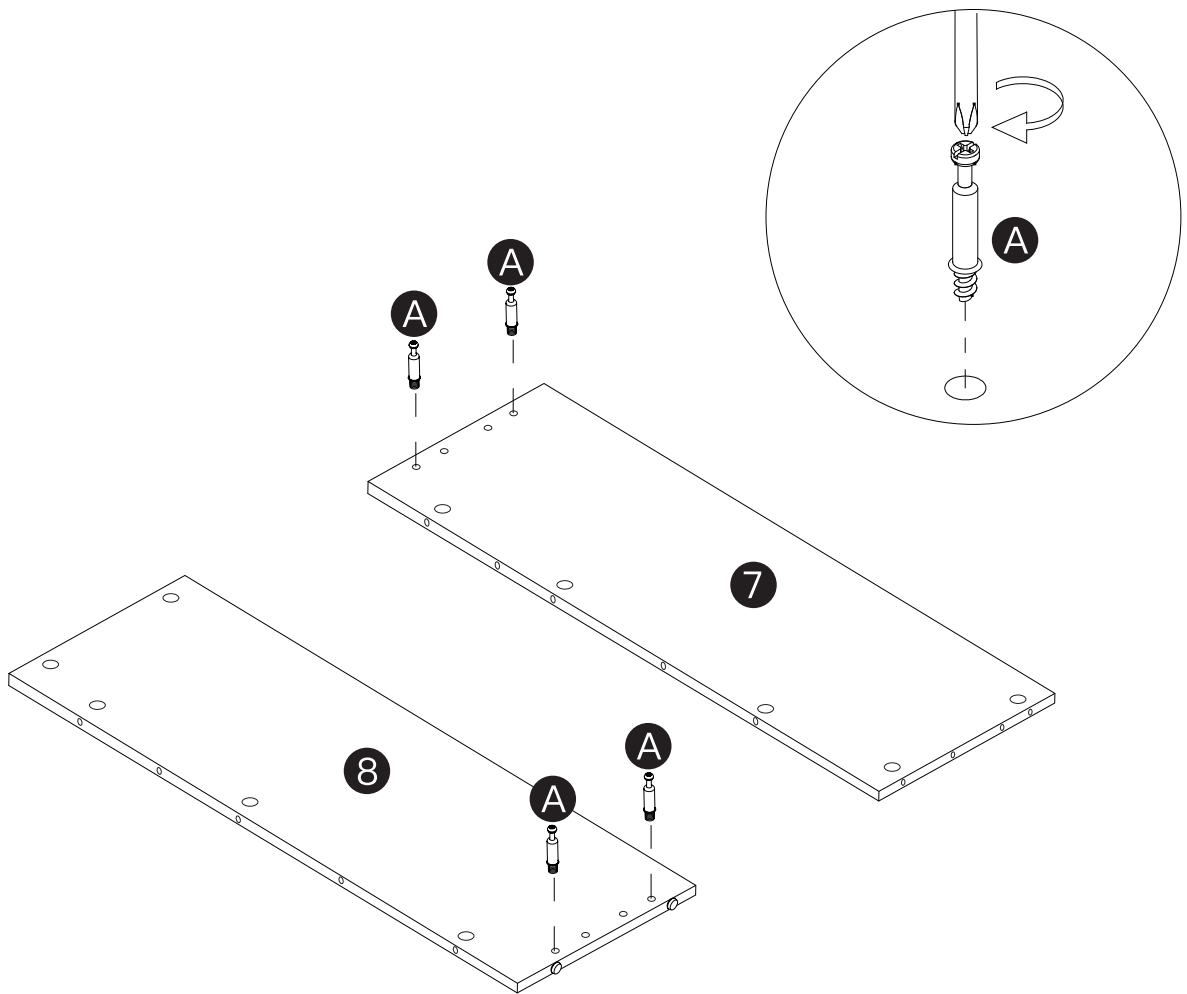
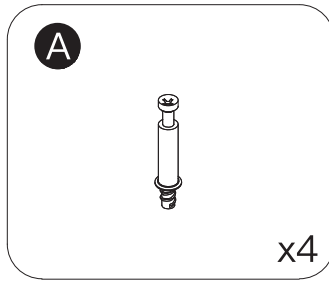
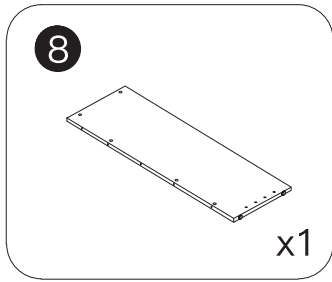
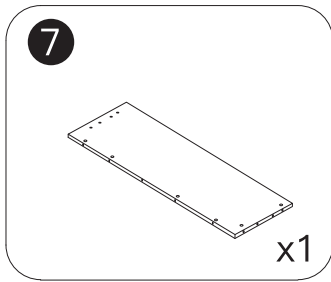
When locking part B, please make sure part A is fully inserted.



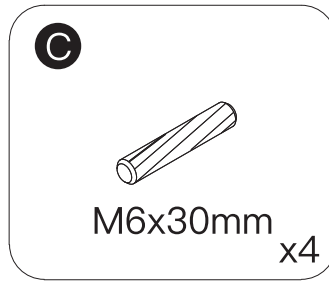
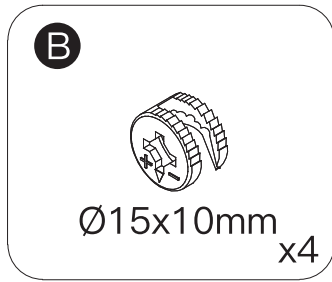
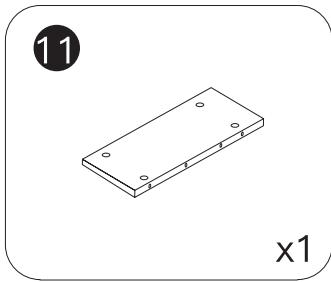
# STEP 1



# STEP 2

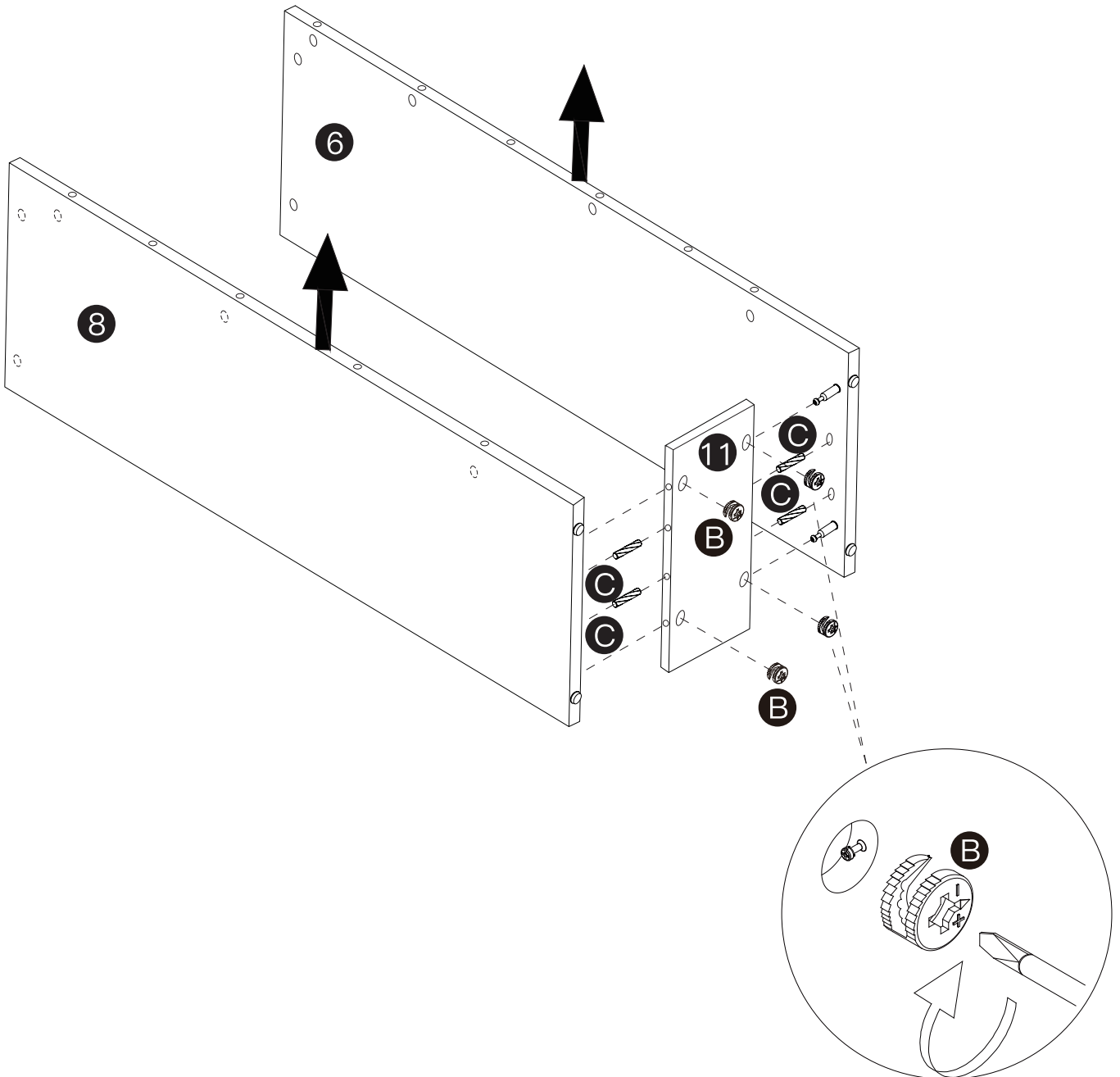


# STEP 3

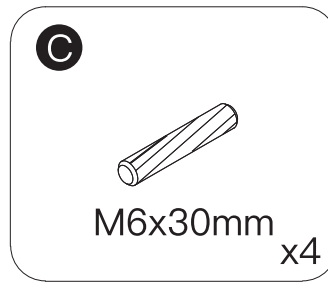
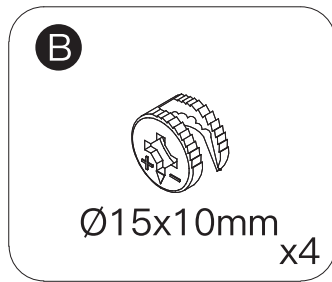
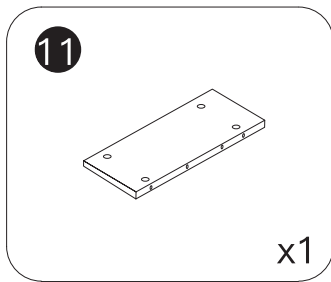


## NOTICE:

Please ensure the specific side of part **6** & **8** is facing upwards.

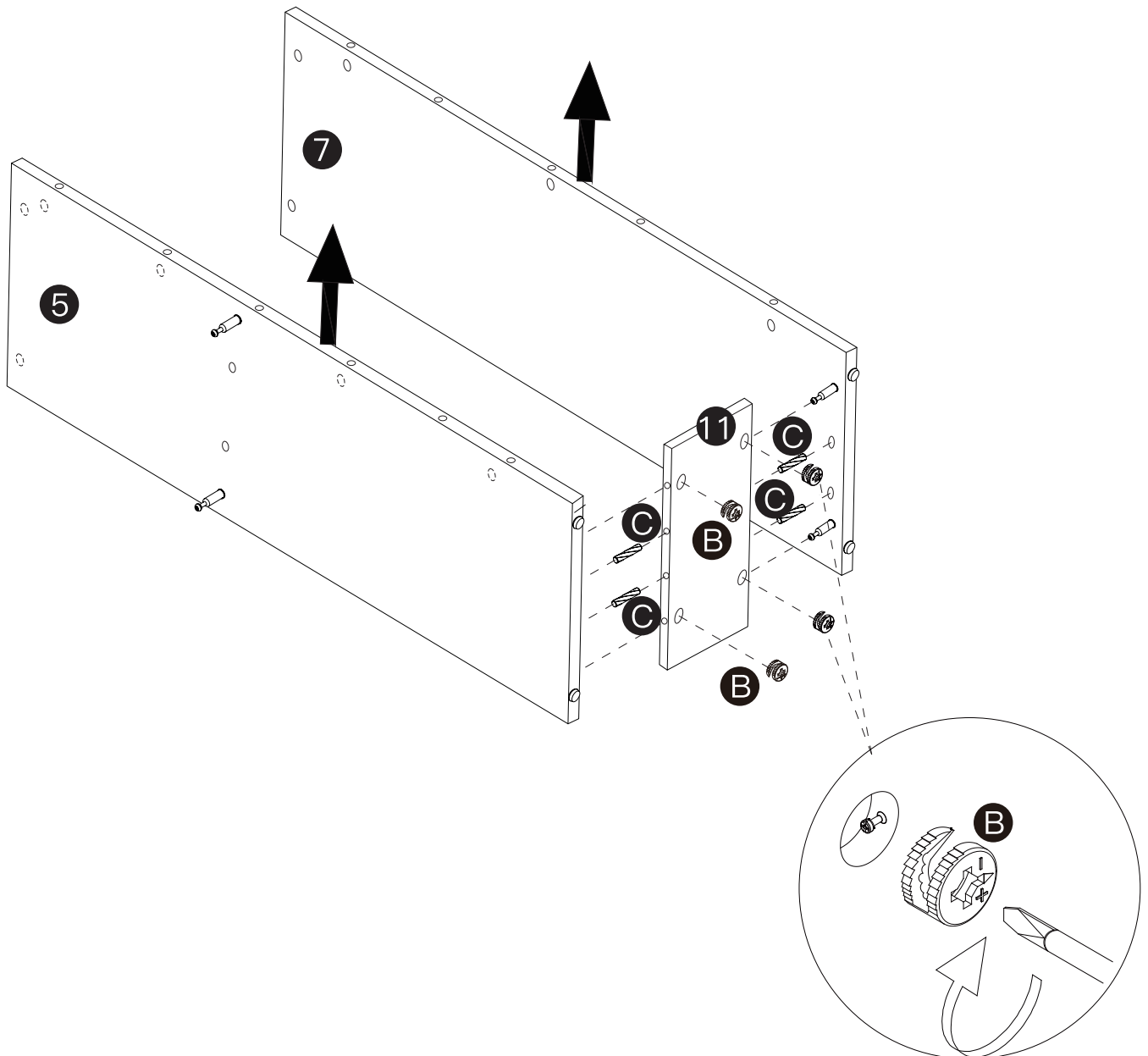


# STEP 4

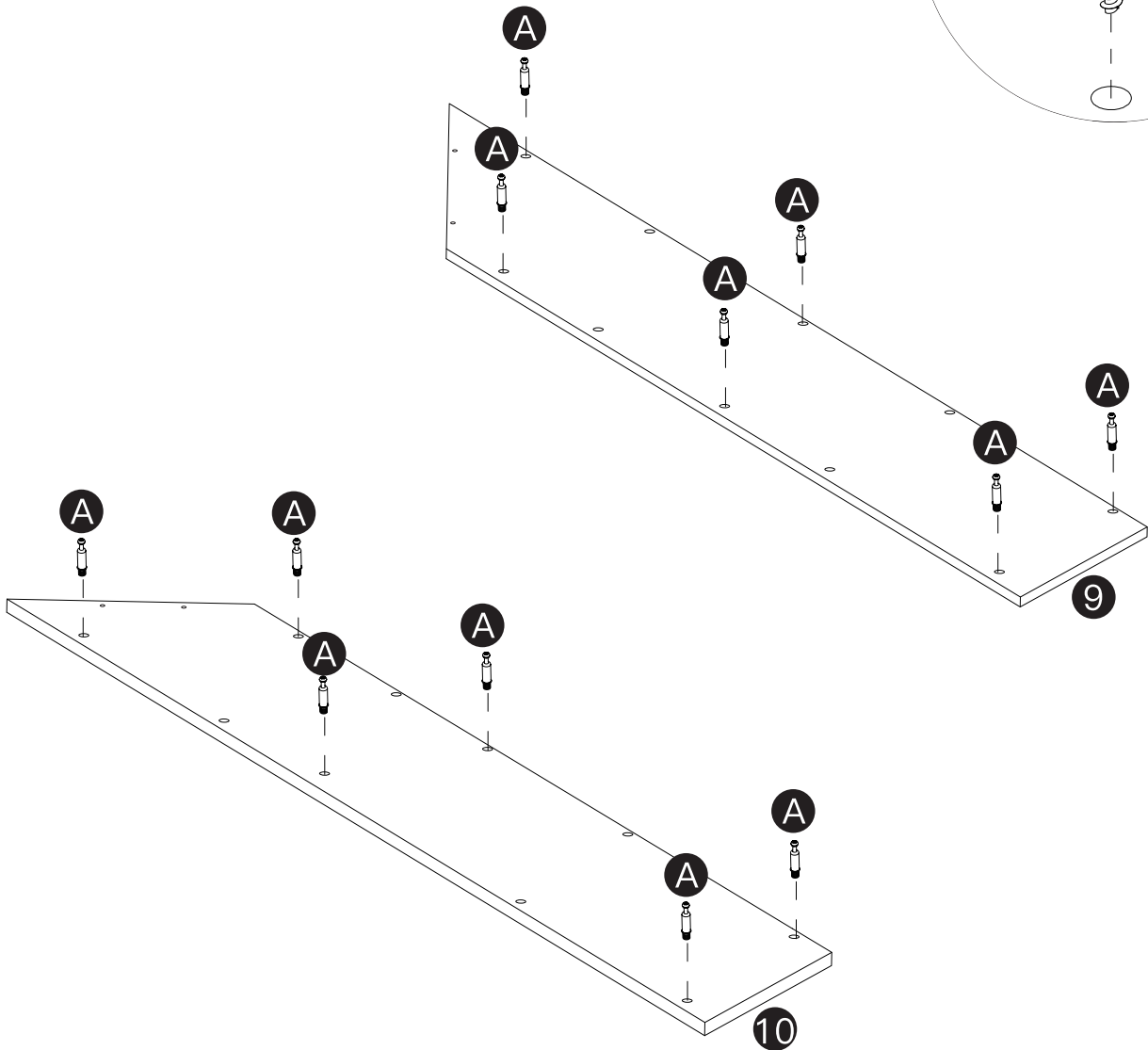
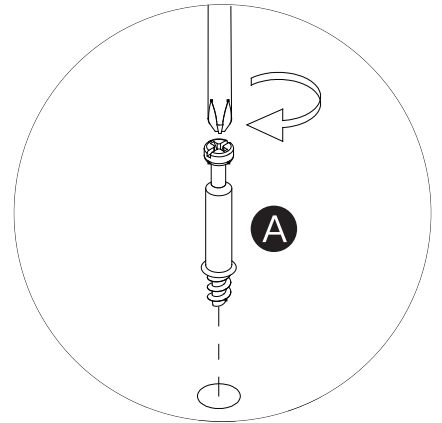
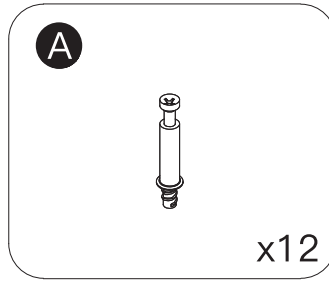
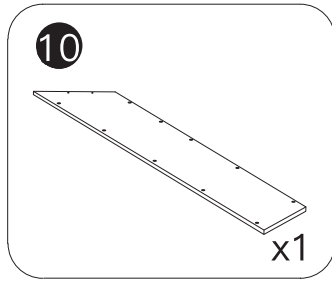
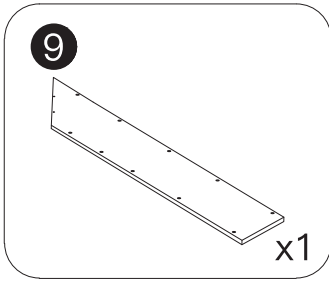


## NOTICE:

Please ensure the specific side of part 5 & 7 is facing upwards.

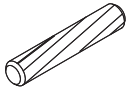


# STEP 5

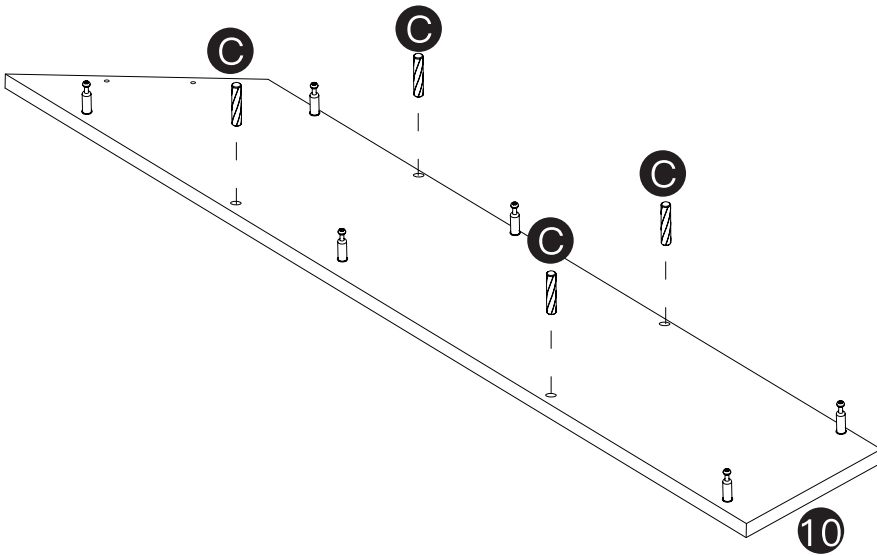
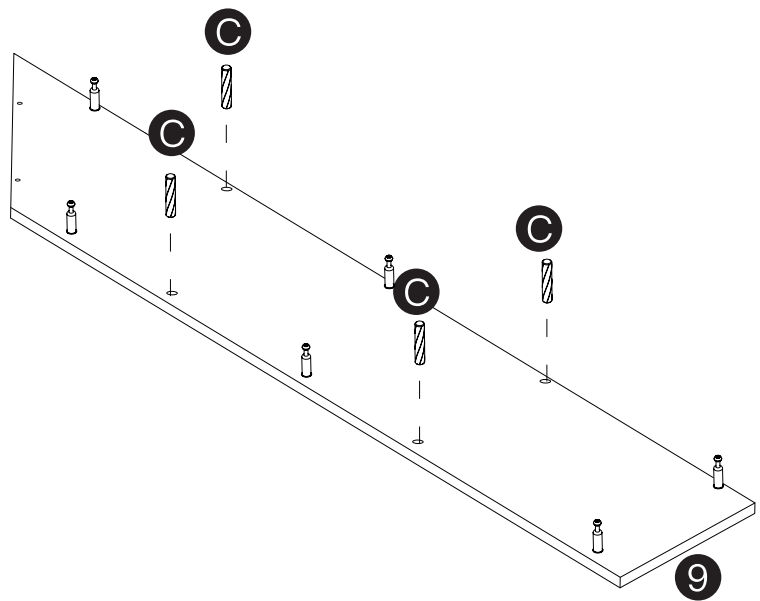
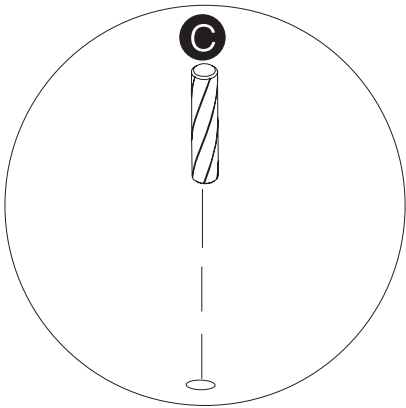


# STEP 6

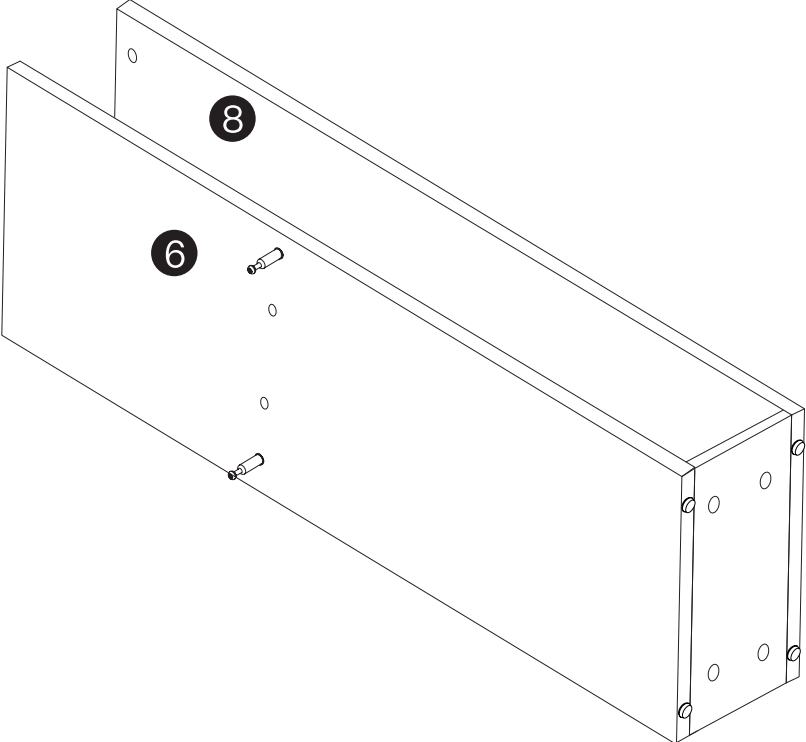
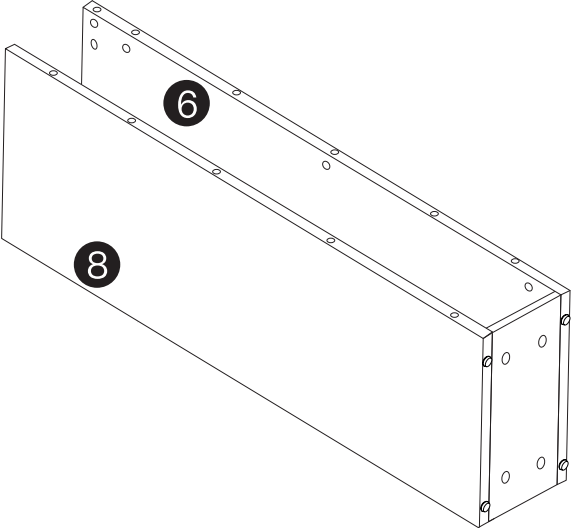
C



M6x30mm  
x8

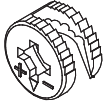


# STEP 7

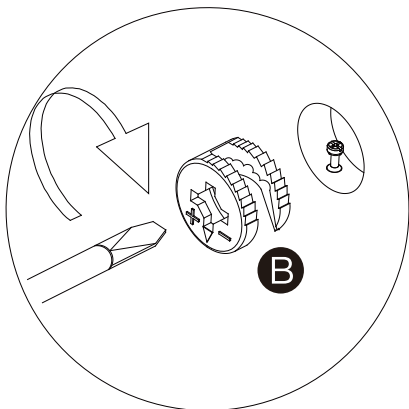
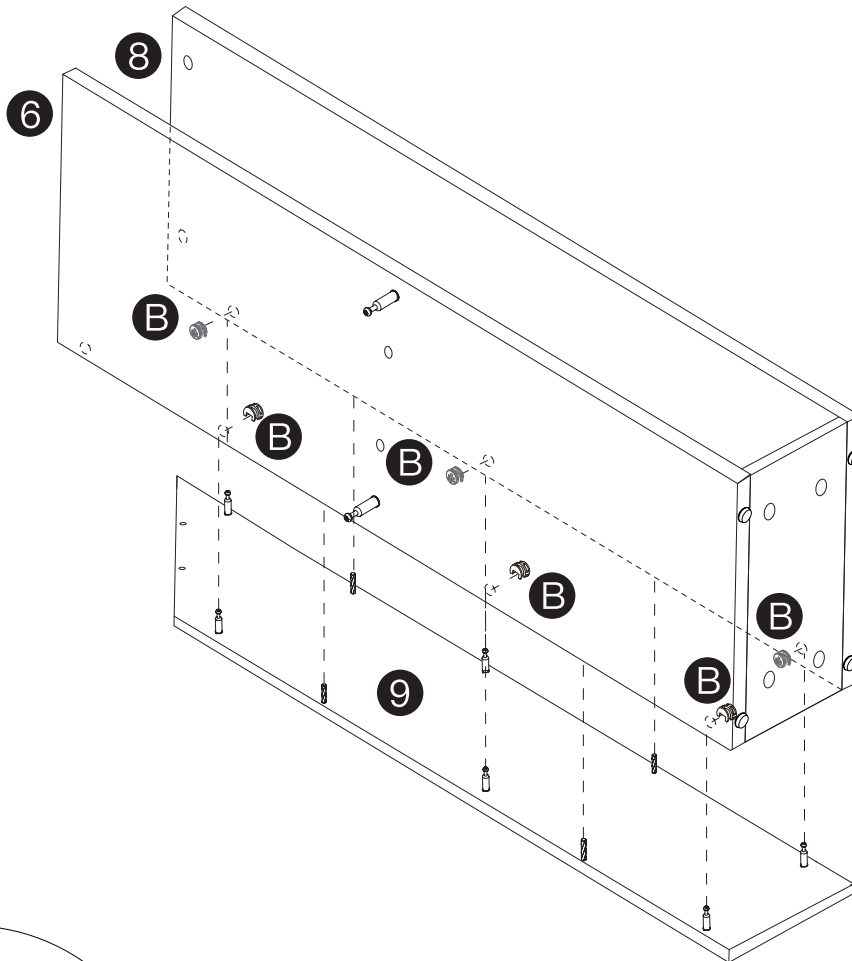


# STEP 8

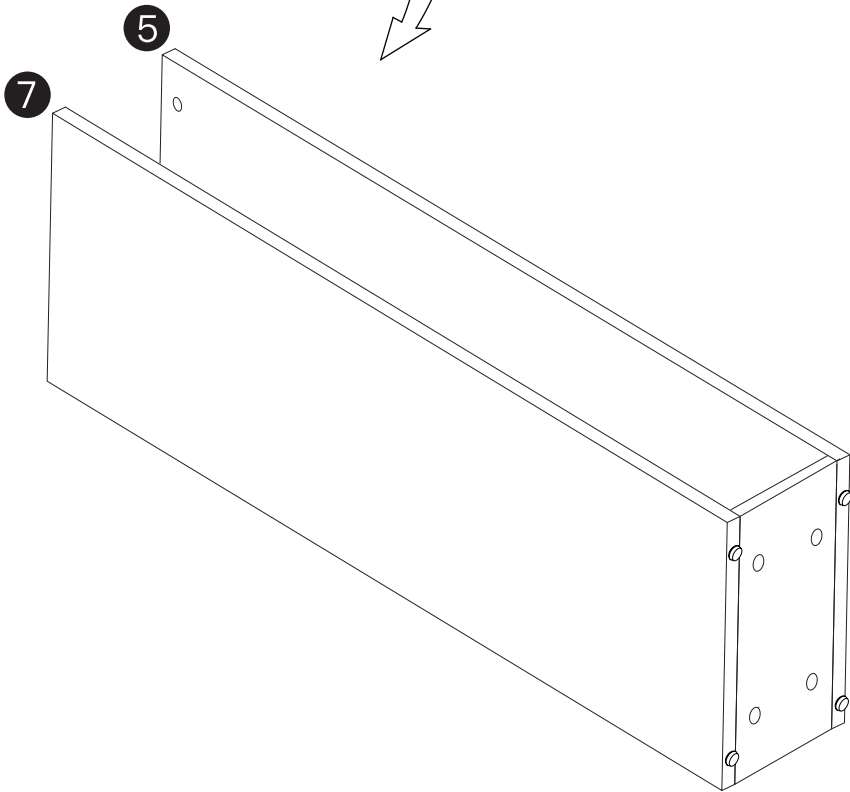
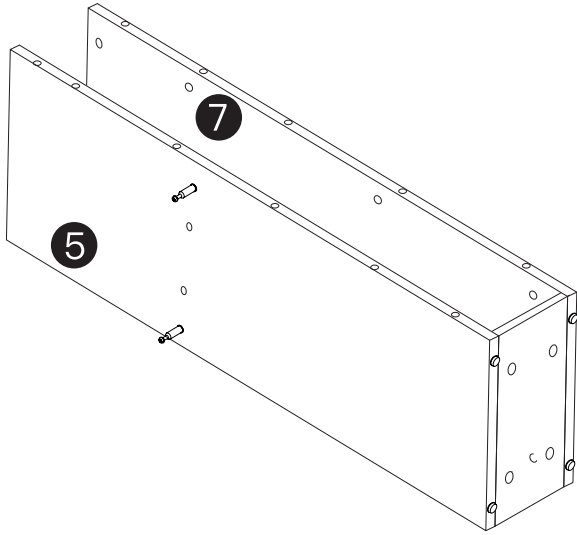
**B**



Ø15x10mm  
x6

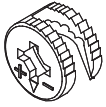


# STEP 9

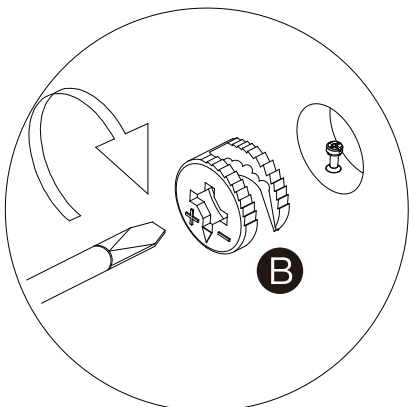
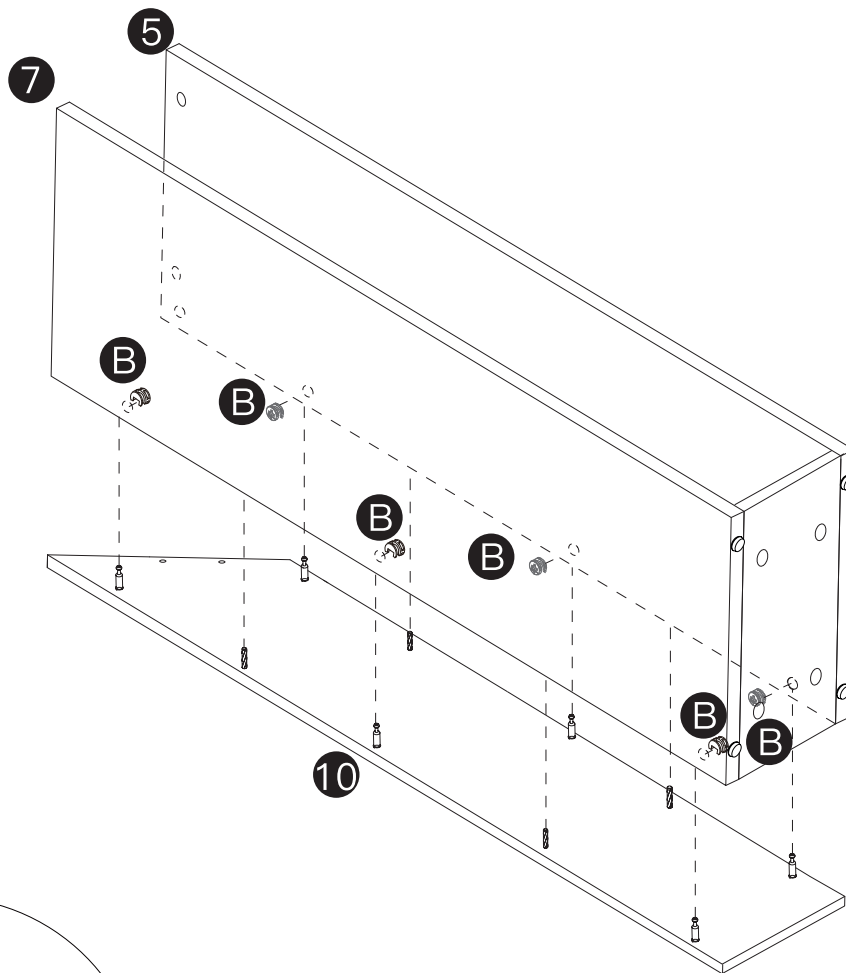


# STEP 10

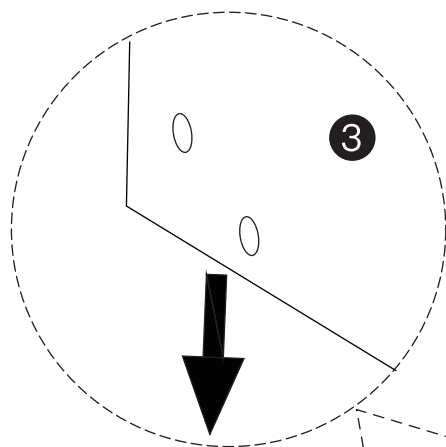
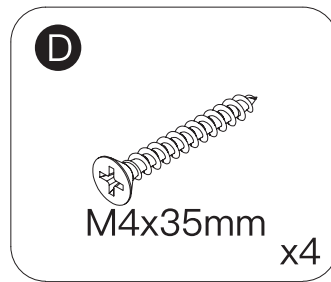
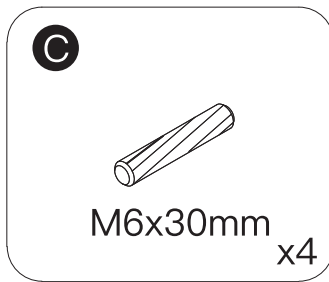
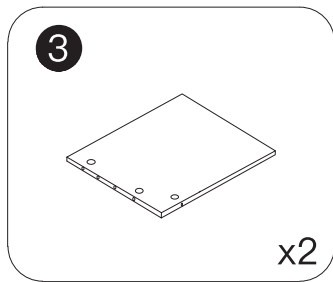
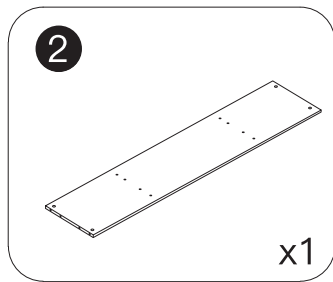
**B**



Ø15x10mm  
x6

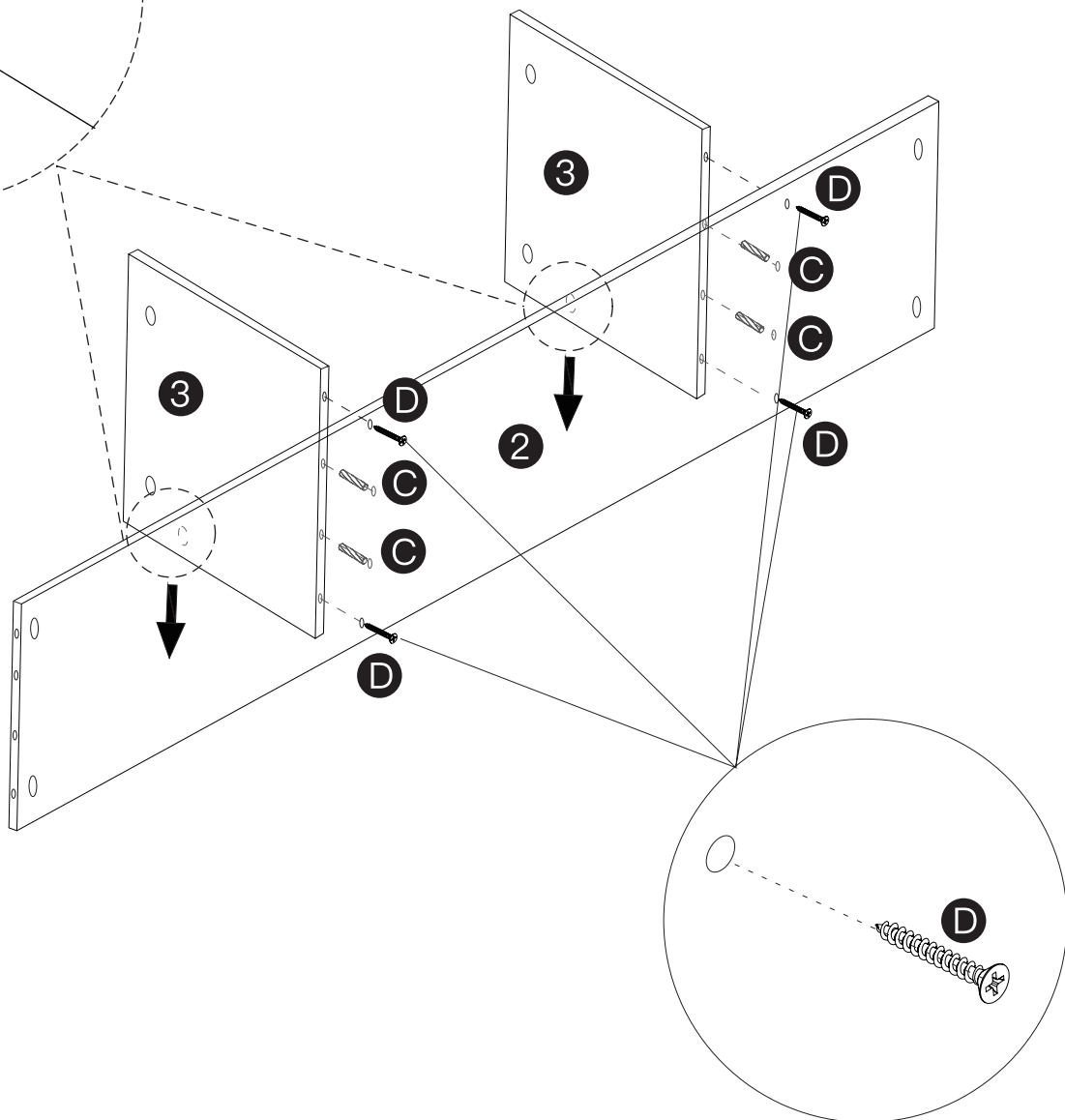


# STEP 11



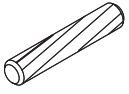
## NOTICE:

Please ensure the specific side of part **3** is facing downwards.

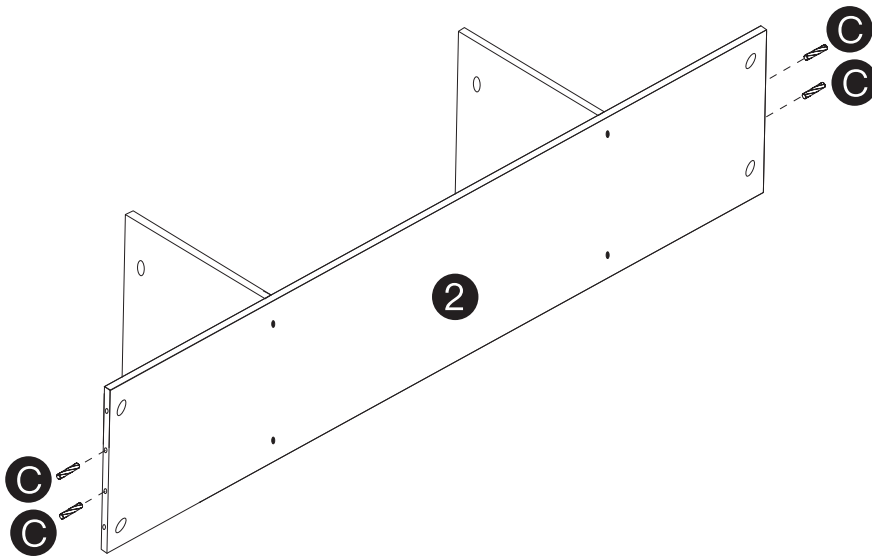


# STEP 12

Ⓒ



M6x30mm  
x4

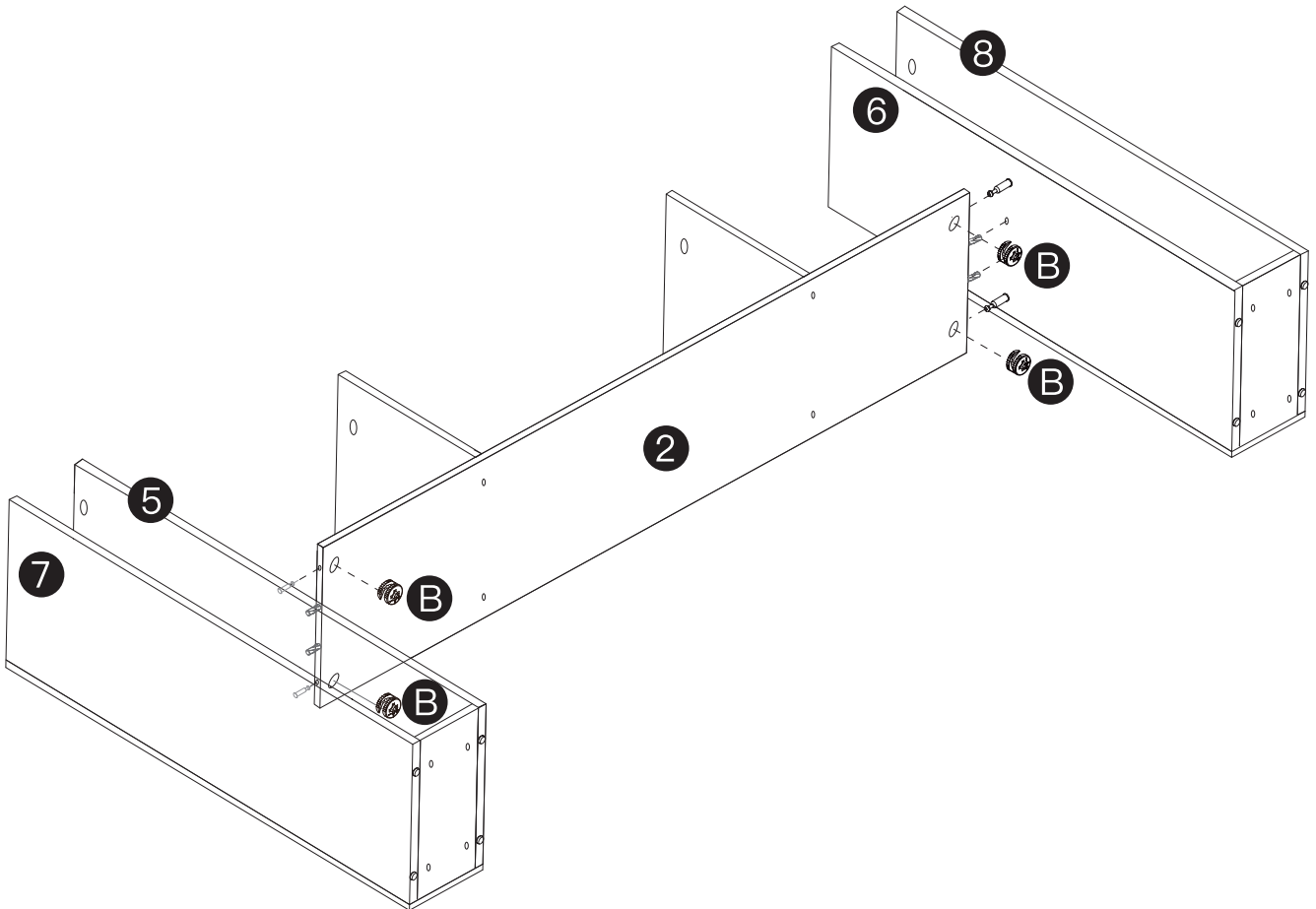


# STEP 13

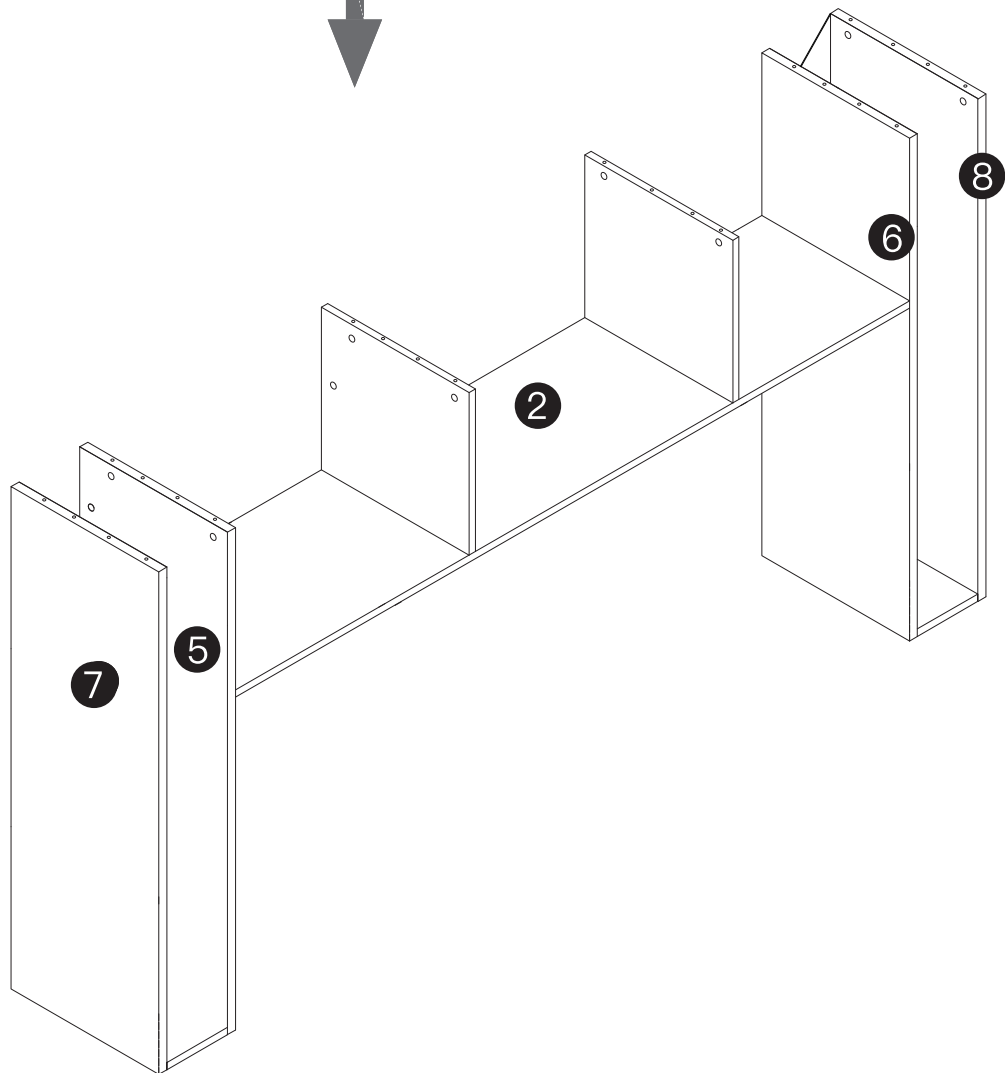
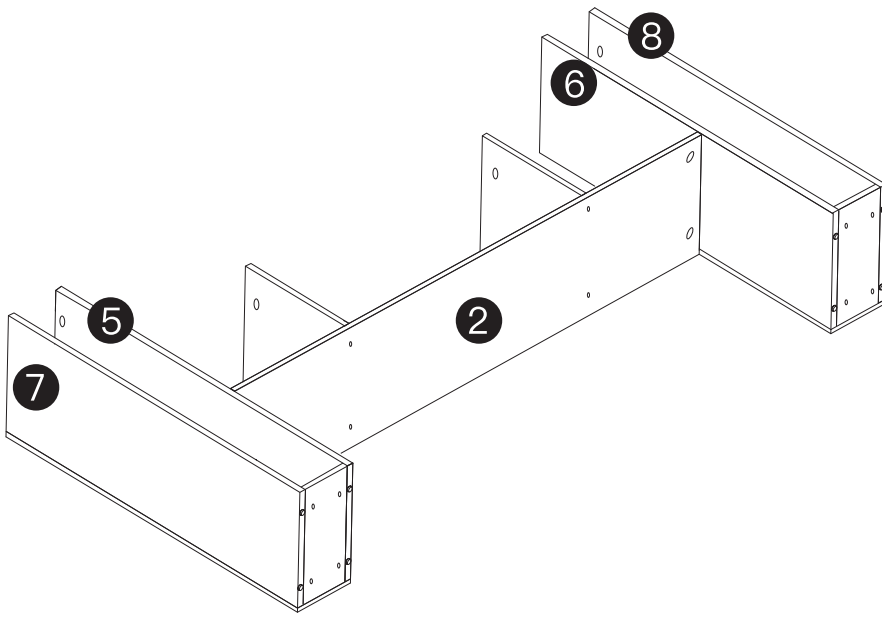
**B**



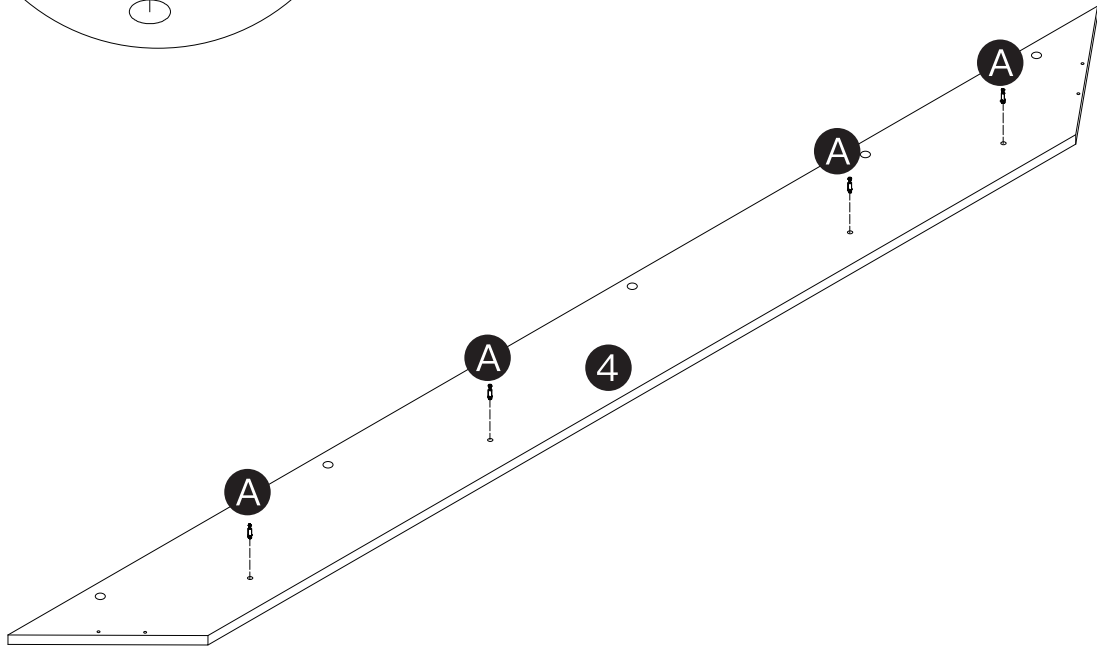
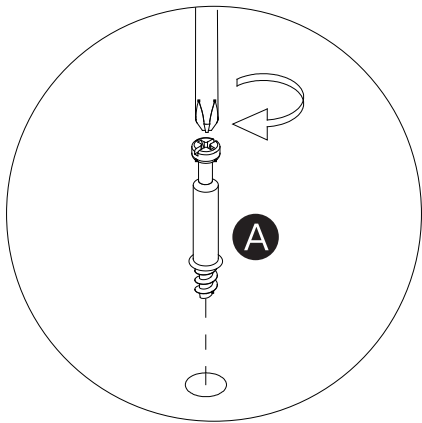
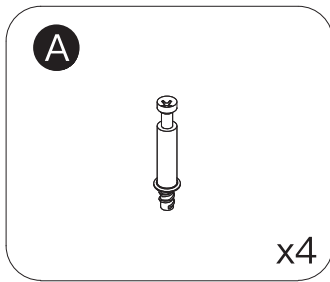
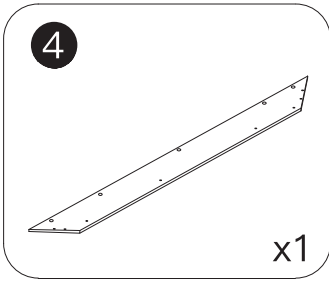
Ø15x10mm  
x4



# STEP 14

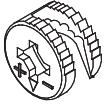


# STEP 15

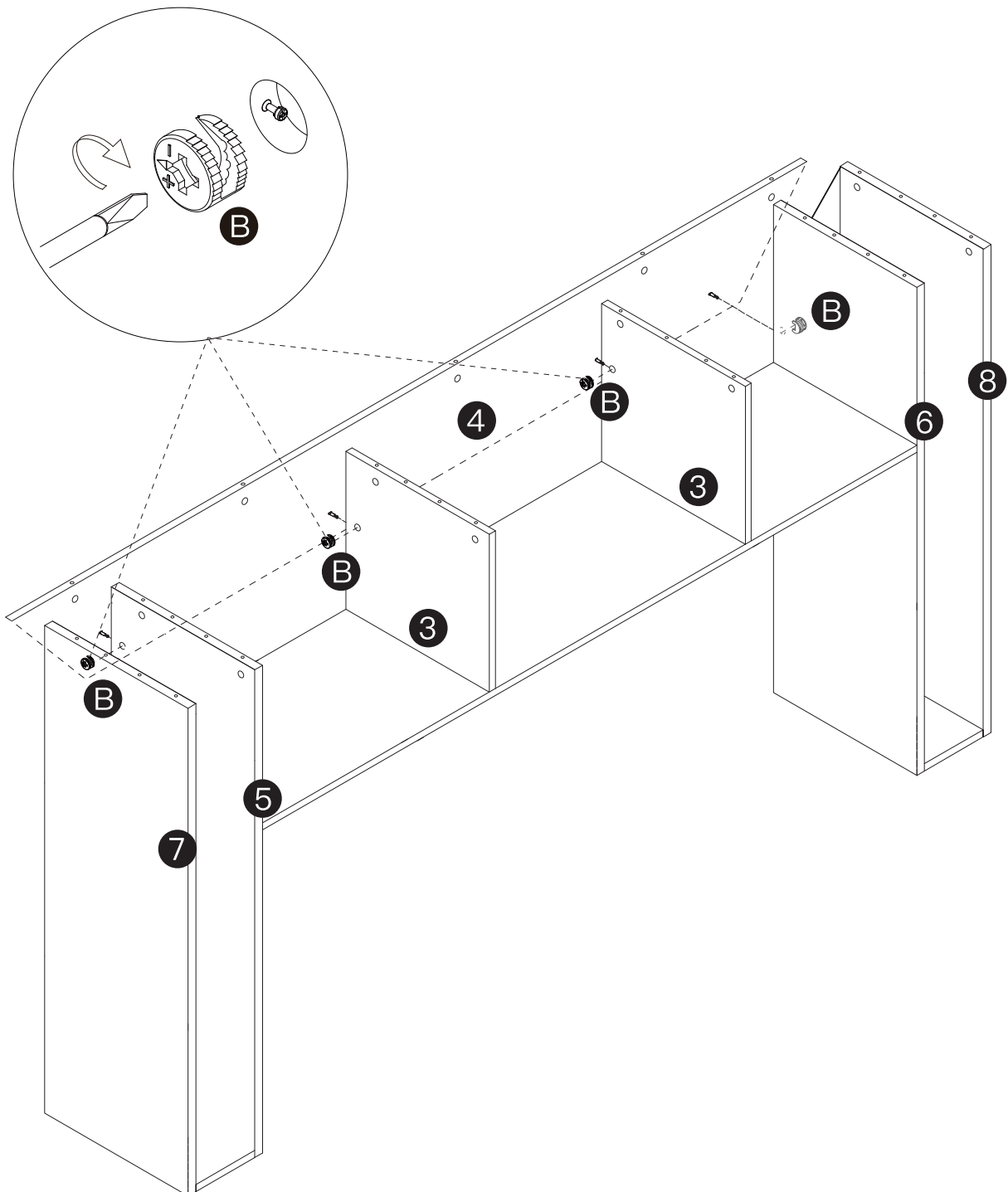


# STEP 16

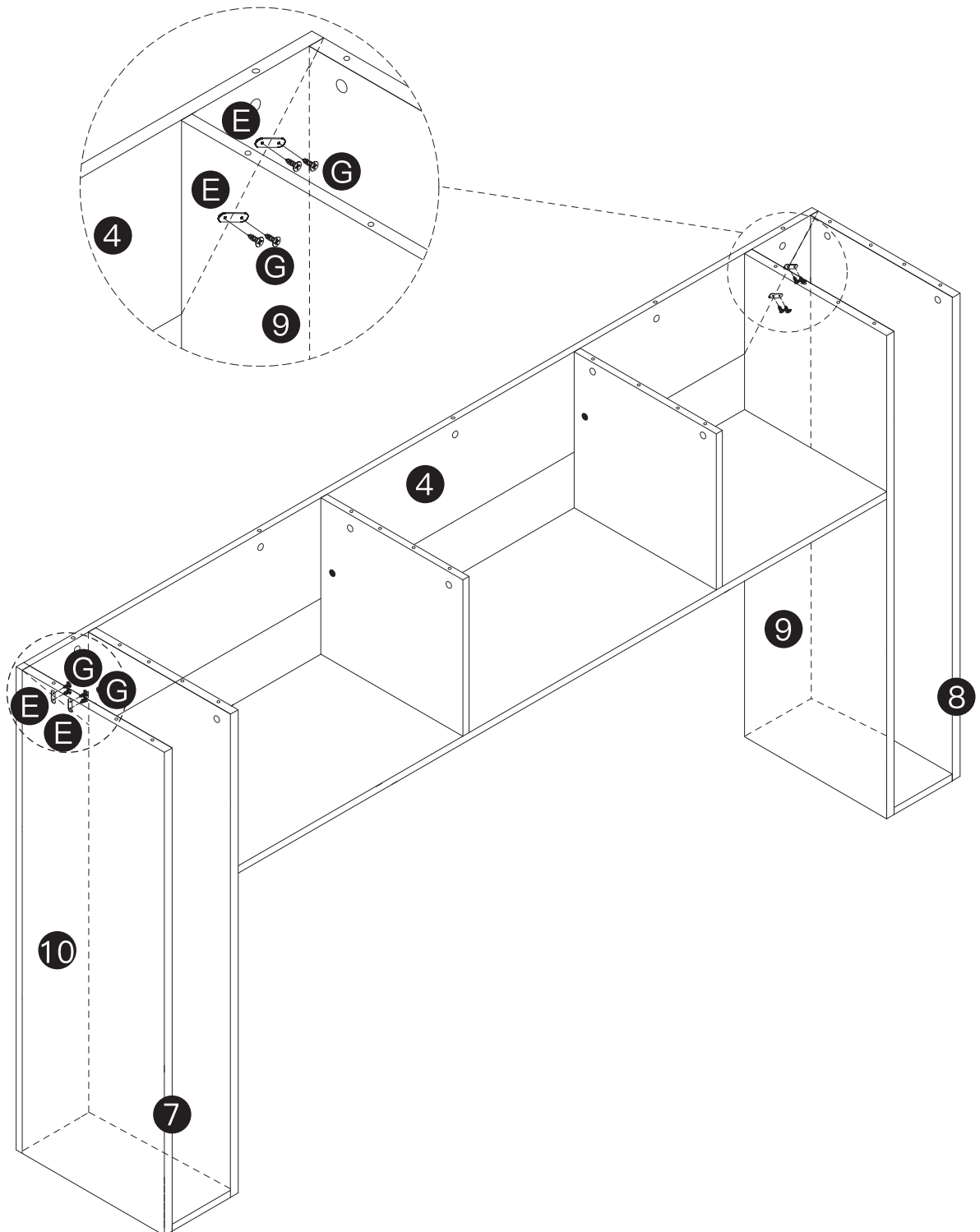
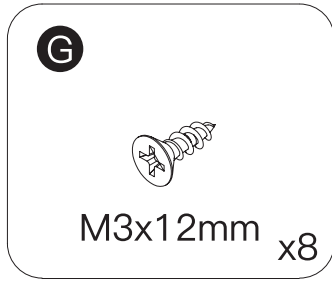
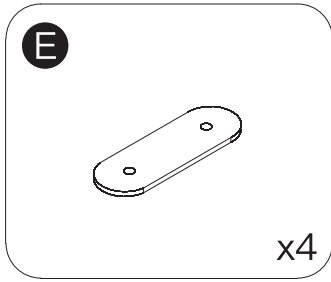
**B**



Ø15x10mm  
x4

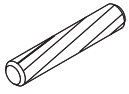


# STEP 17

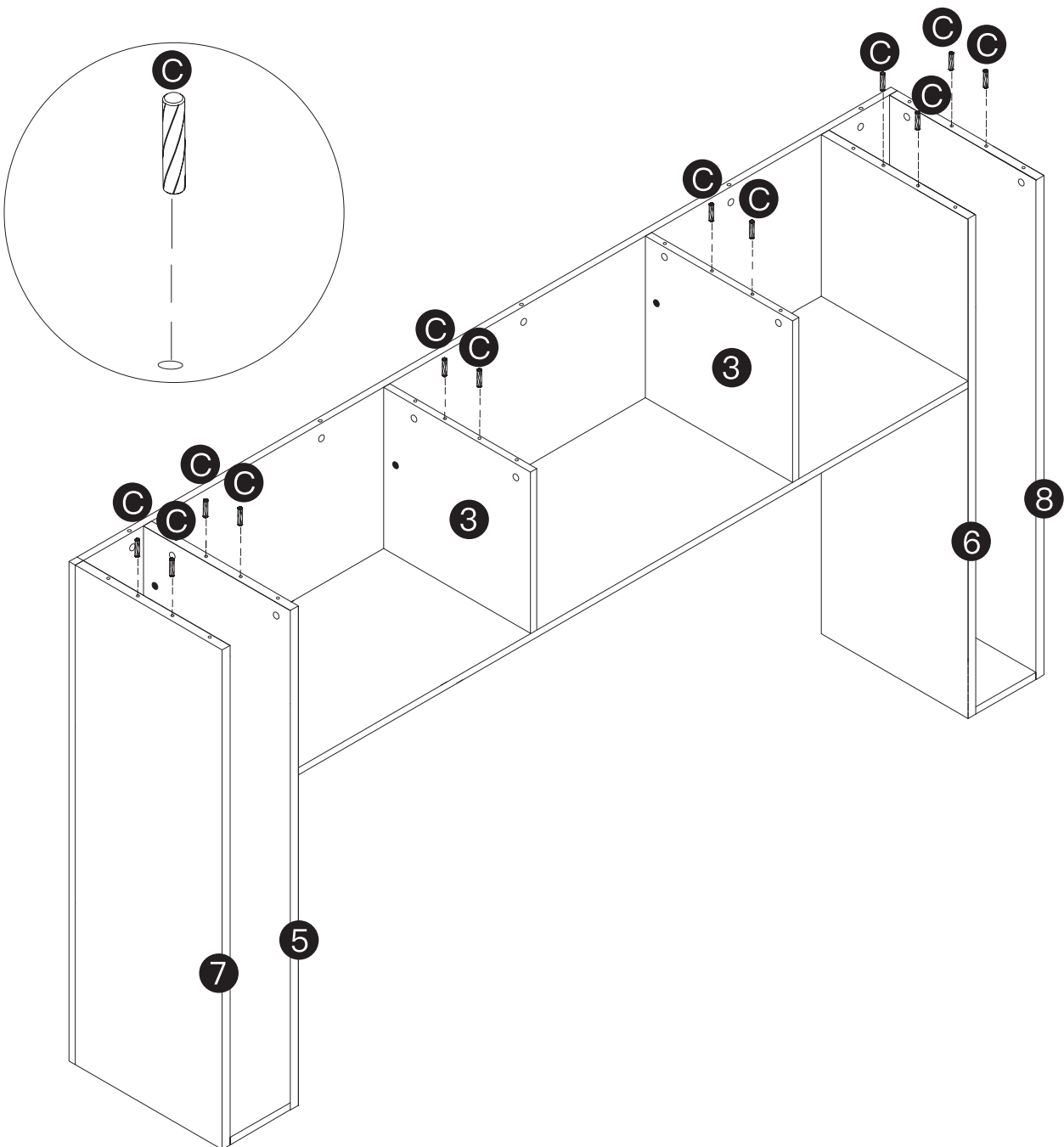


# STEP 18

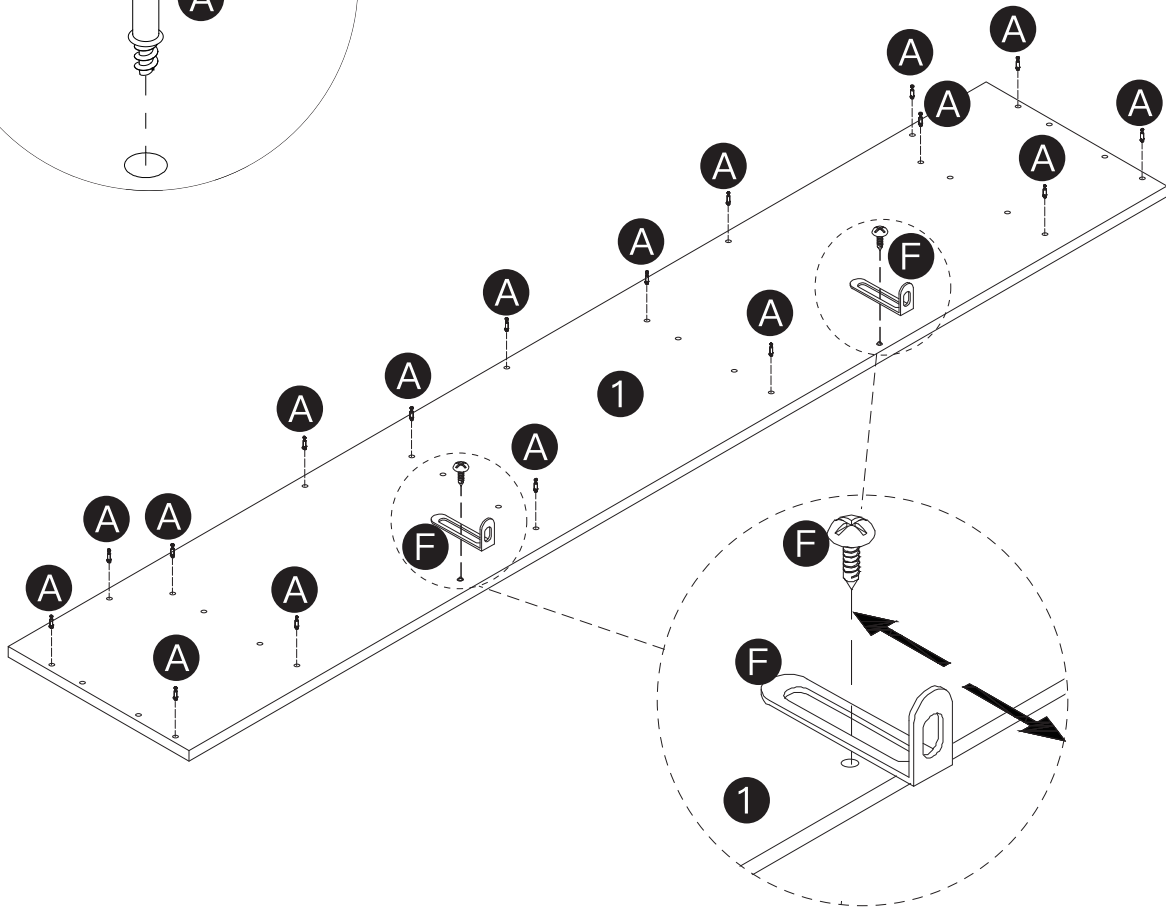
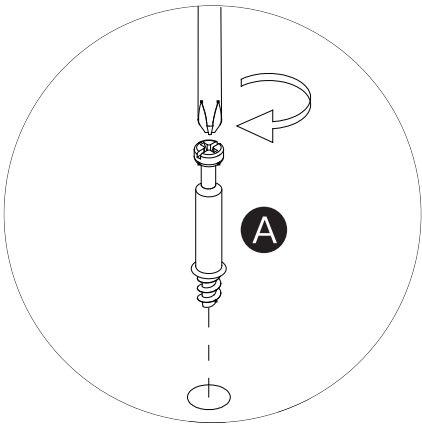
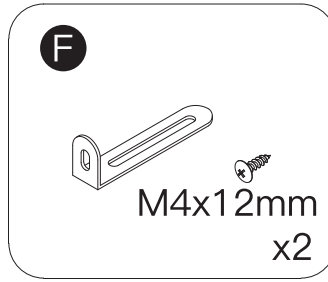
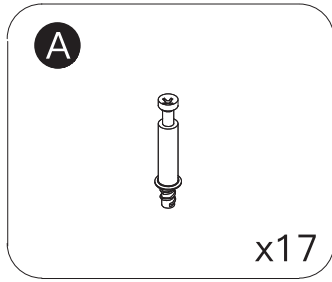
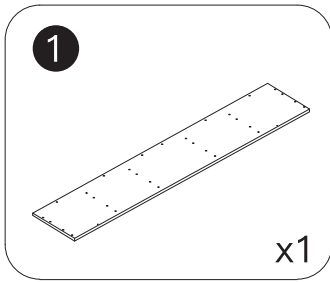
C



M6x30mm  
x12

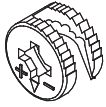


# STEP 19

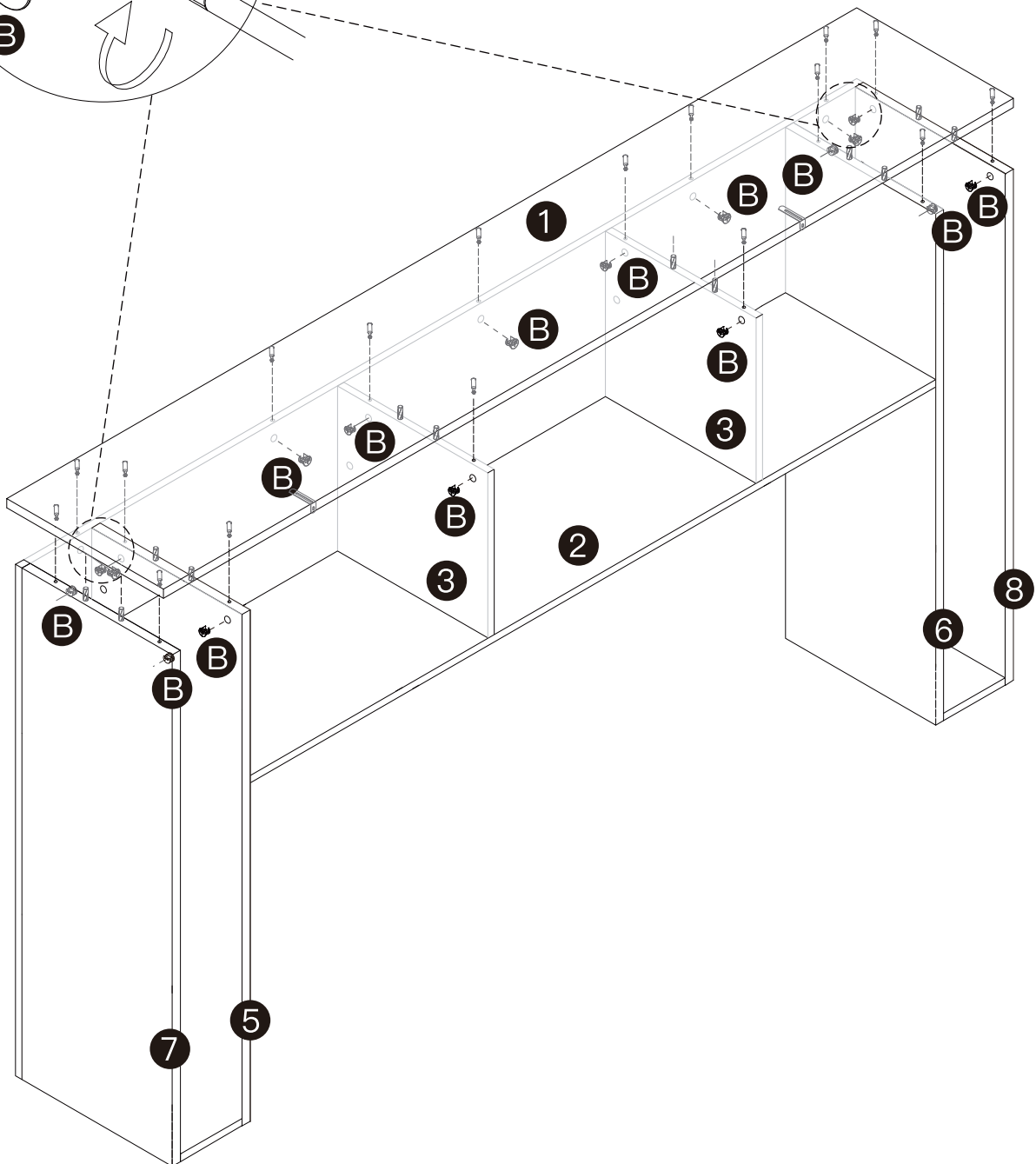
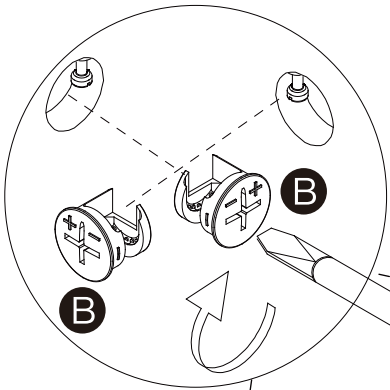


# STEP 20

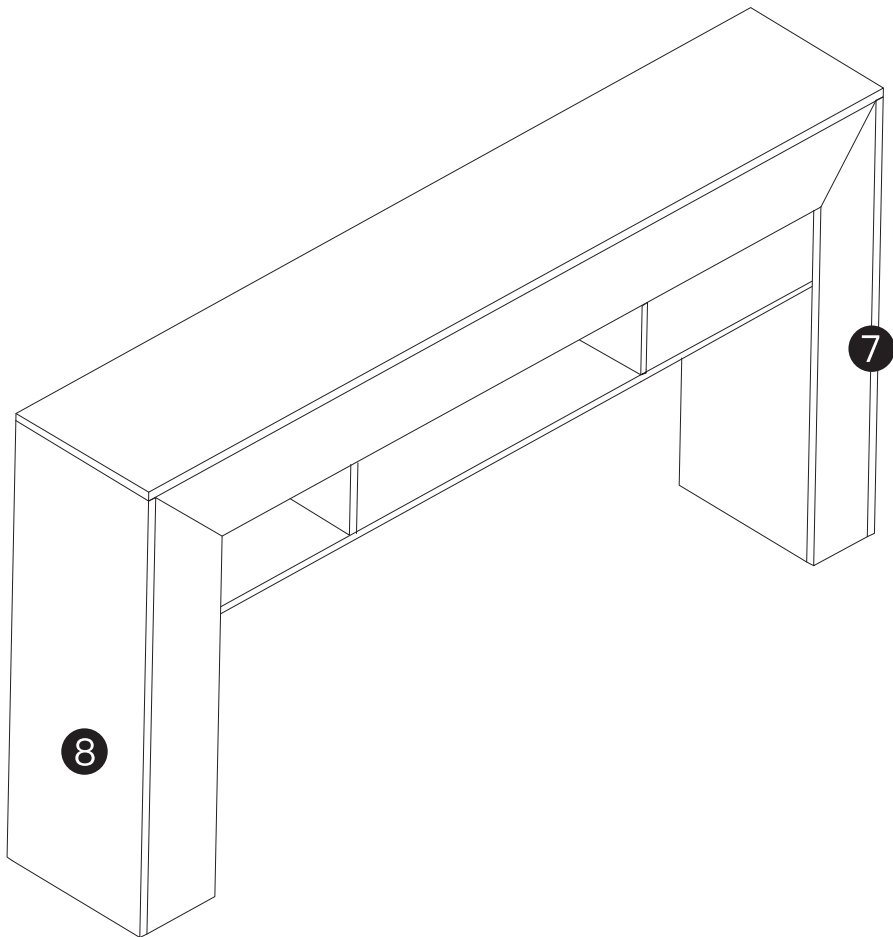
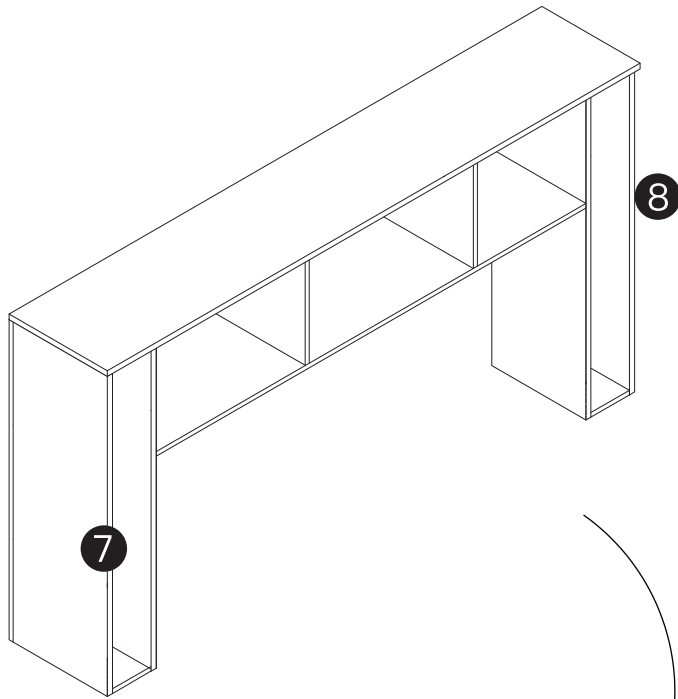
**B**



Ø15x10mm  
x17



# STEP 21



# STEP 22

F

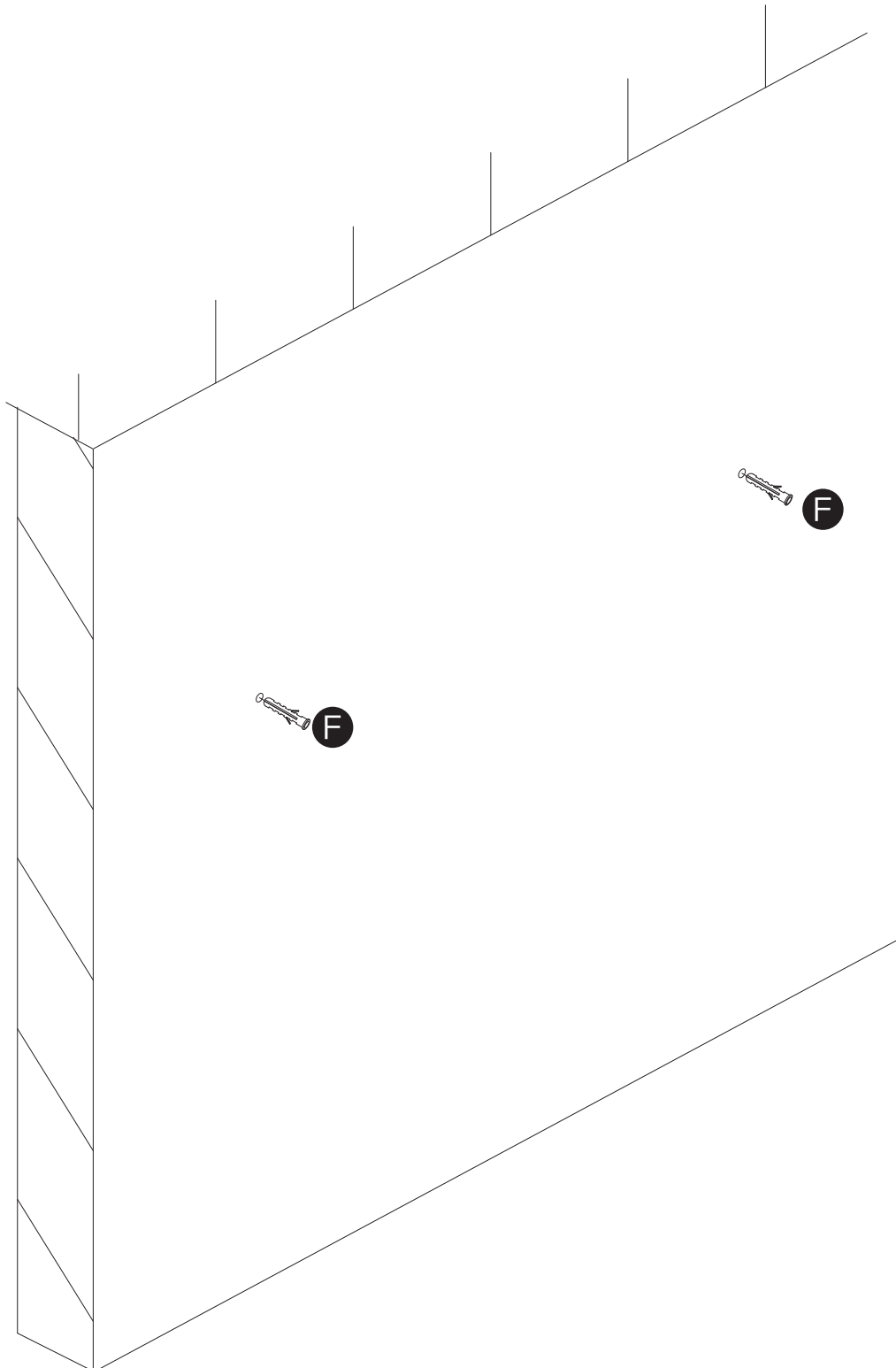


x2



**NOTICE**

For the safety of you and your family, it is necessary to install Anti-Tip Device Kit.



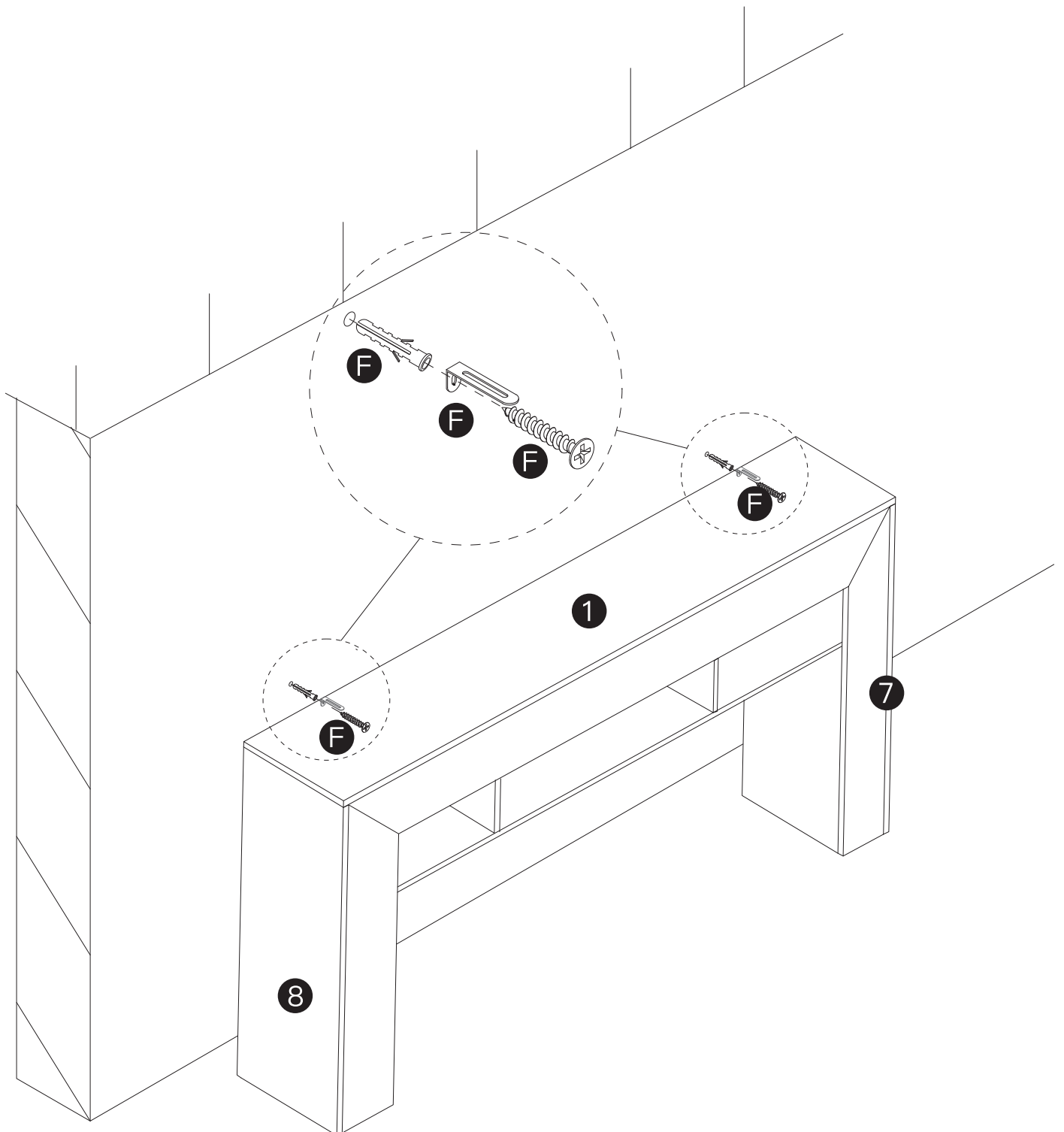
# STEP 23

F



M4x45mm

x2



# AFTERSALE SERVICE

**Dear customer,**

Thank you so much for purchasing the product from us, we really appreciate your support.

We are aimed to provide the best shopping experience to our customers. We also want to build a mutually beneficial relationship with our customers, and step further to make our brand both reliable, responsible and recommendable.

We hope that our products could meet your needs and expectations, please consider us again if you need more products for your home and kitchen.

The package would be out of our control during shipping, please contact us through your purchasing channel directly if there is anything wrong with the box or contents. We are always here offering you our service.

We will reply your messages within 24 hours, please kindly wait for the response from our team.

Your comfort and contentment are of utmost importance.

Best Regards,  
Customer Care Specialist