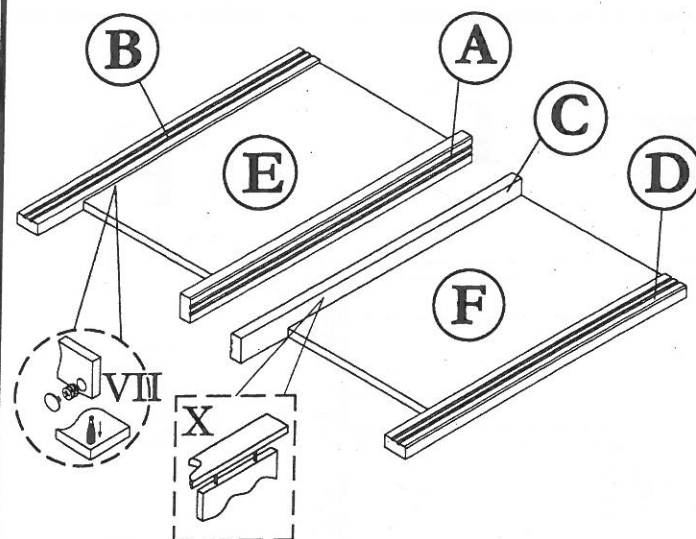


ASSEMBLY INSTRUCTION

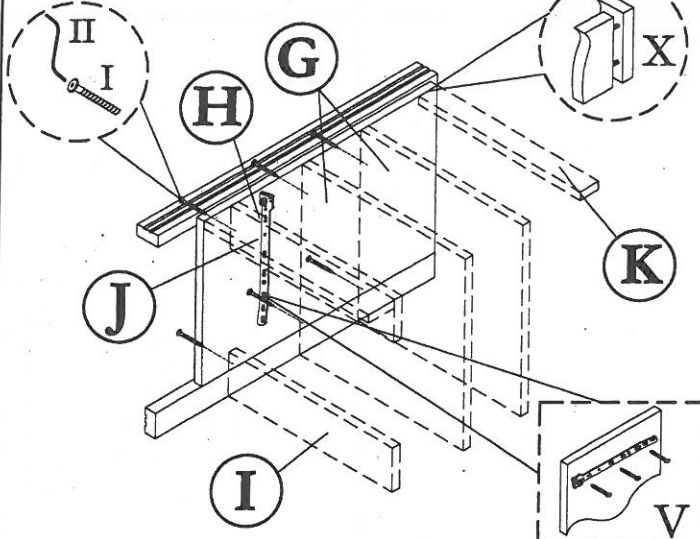
SIDE TABLE

Before you begin, please follow assembly instruction carefully.
Then follow them step by step.

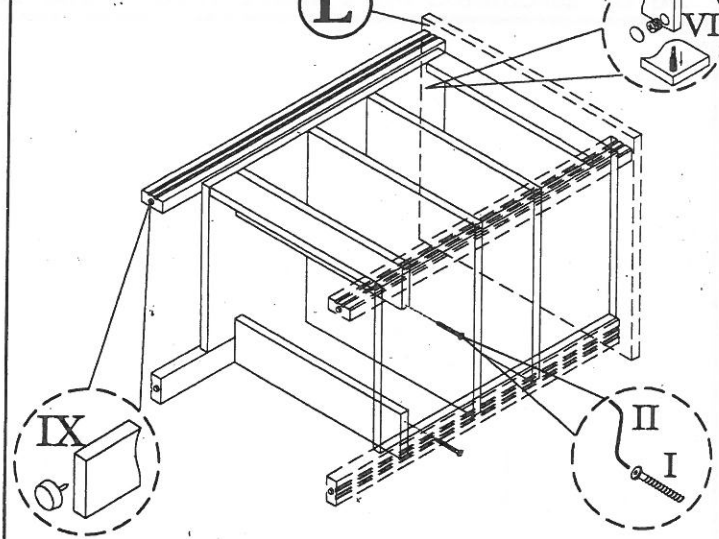
STEP 1



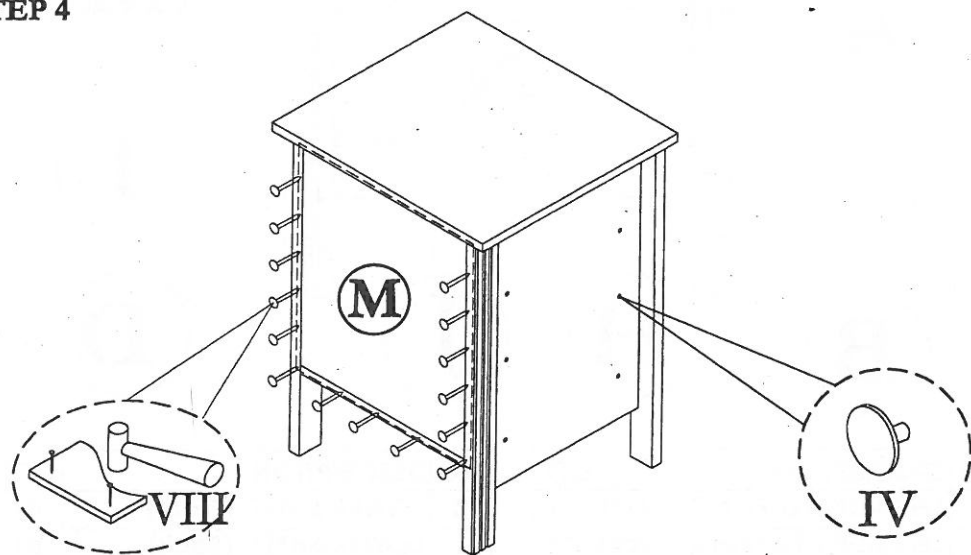
STEP 2



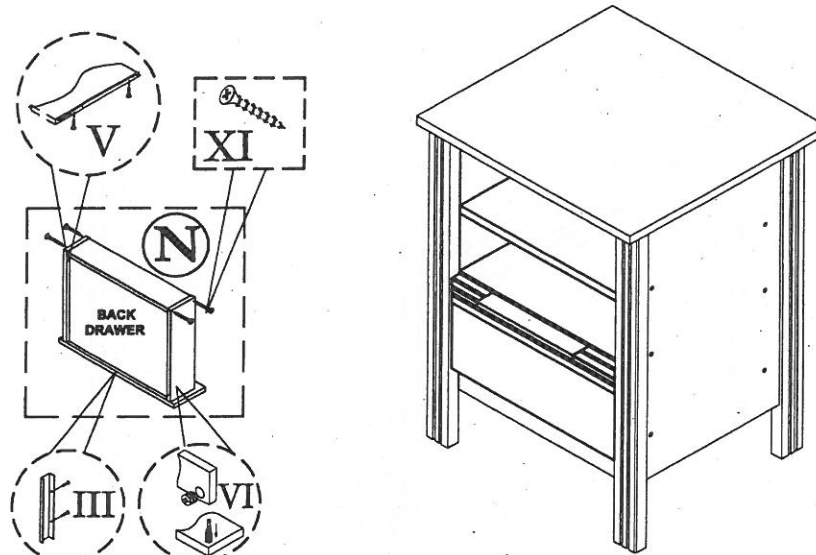
STEP 3



STEP 4



STEP 5



HARDWARE LIST			
NO	DESCRIPTION		QTY
I	JCBCW SCREW M6 x 45		12pcs
II	M4 ALLEN KEY		1pc
III	HANDLE & SCREW M3.5 x 12		1sets

IV	CAP SMALL		12pcs
V	DRAWER SLIDER & SCREW M3.5 x 12		1sets
VI	Q-FIT		8sets
VII	Q-FIT (small)		8sets
VIII	NAIL		20pcs

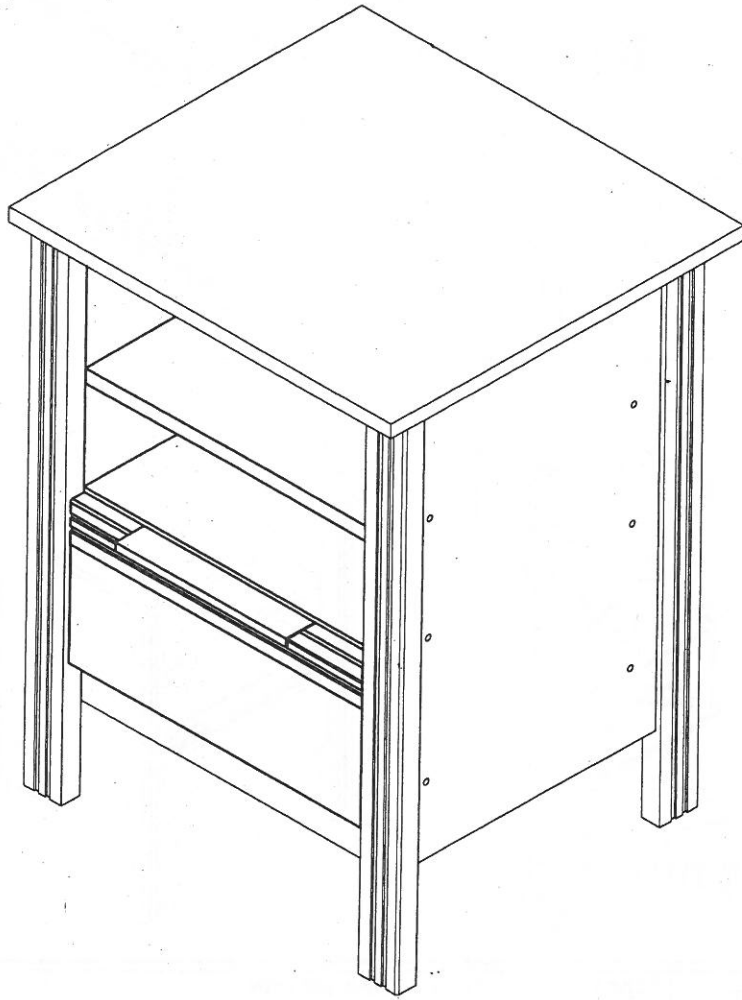
IX	PVC NAIL WITH PIN		4pcs
X	M8 x 30 PLASTIC DOWEL		14pcs
XI	M8 X 32 CHIPBOARD SCREW		4pcs

CAUTION:

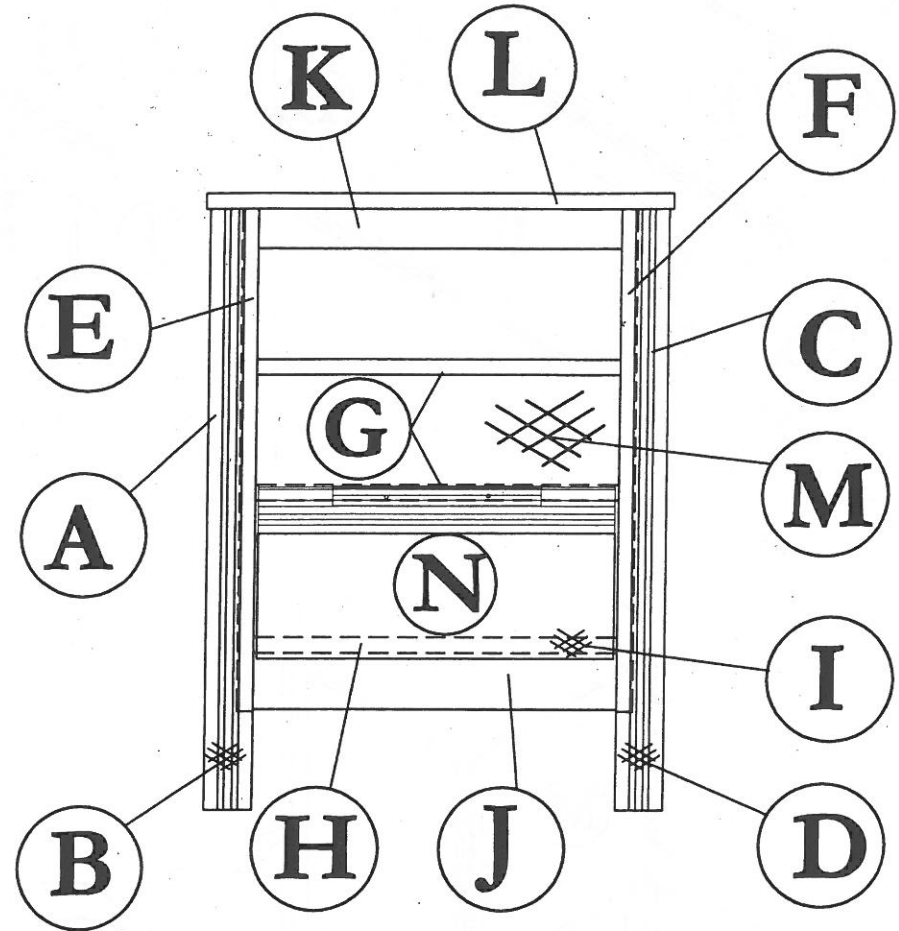
To clean use soft, dry cloth. Do not use detergent or chemicals
Avoid contact with water and direct sunlight.
To be assembled on a soft, dry, clean and smooth surface.

ORDERING REPAIR PARTS

In order to obtain smooth and rapid service when ordering repair parts,
please give full attention to the following of PART NUMBER.



COMPLETE SET



NO	DESCRIPTION	QTY
A	LEFT SIDE WRAPPING (Front)	01
B	LEFT SIDE WRAPPING (Back)	01
C	RIGHT SIDE WRAPPING (Front)	01
D	RIGHT SIDE WRAPPING (Back)	01
E	LEFT SIDE	01
F	RIGHT SIDE	01
G	CENTRE SHELF	02

NO	DESCRIPTION	QTY
H	LOWER SHELF (Front)	01
I	LOWER SHELF (Back)	01
J	LOWER SHELF SUPPORT	01
K	TOP SUPPORT	01
L	TOP	01
M	BACK	01
N	DRAWER FACE	01