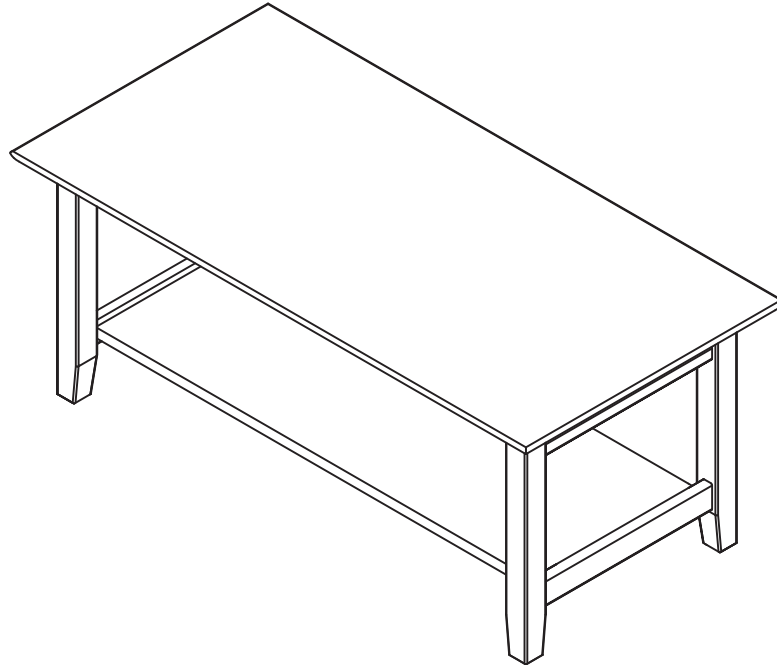


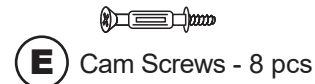
COFFEE TABLE WITH SHELF

Assembly Instructions

Before assembling your Coffee Table, please read through these instructions carefully. Familiarize yourself with the different parts.

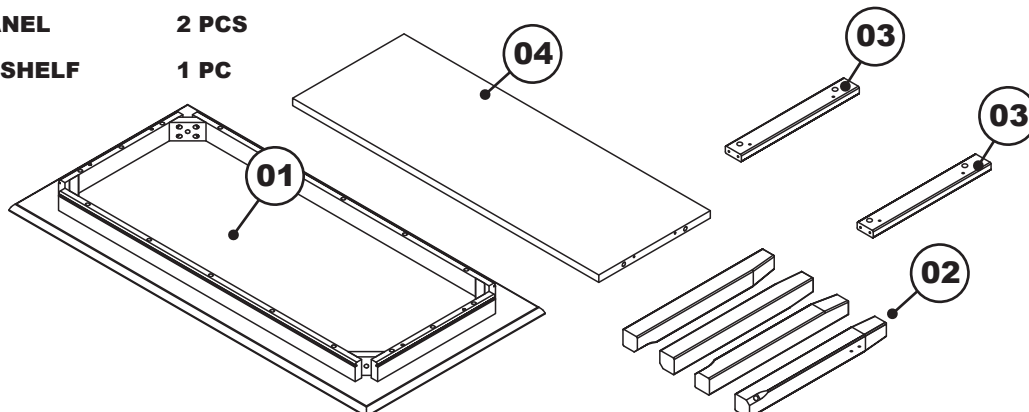


NOTE: A PHILLIPS HEAD SCREWDRIVER IS NEEDED FOR INSTALLATION AND IS NOT INCLUDED.



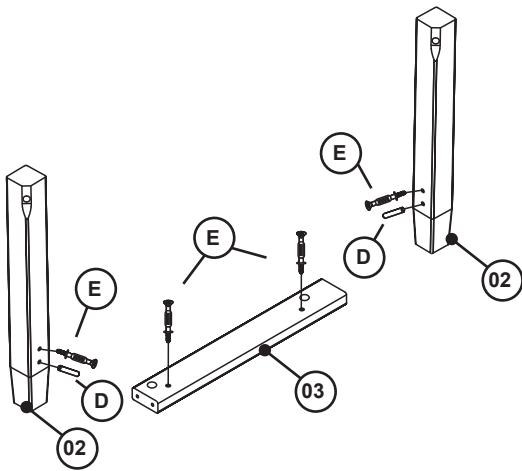
PARTS LIST

- 01 TOP PANEL 1 PC
- 02 LEG 4 PCS
- 03 SIDE PANEL 2 PCS
- 04 LOWER SHELF 1 PC



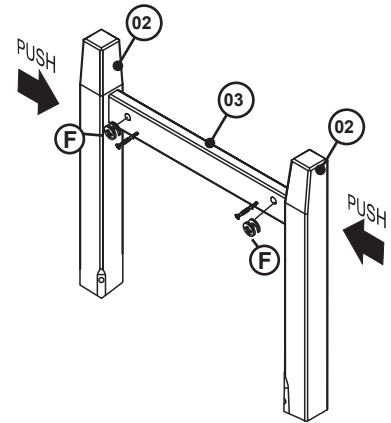
STEP 1

Insert cam screws (E) into the locator holes for side panels (03) and legs (02) as shown below. Screw these in with a phillips head screwdriver (not included). Insert wooden dowel (D) into locator hole for the leg.



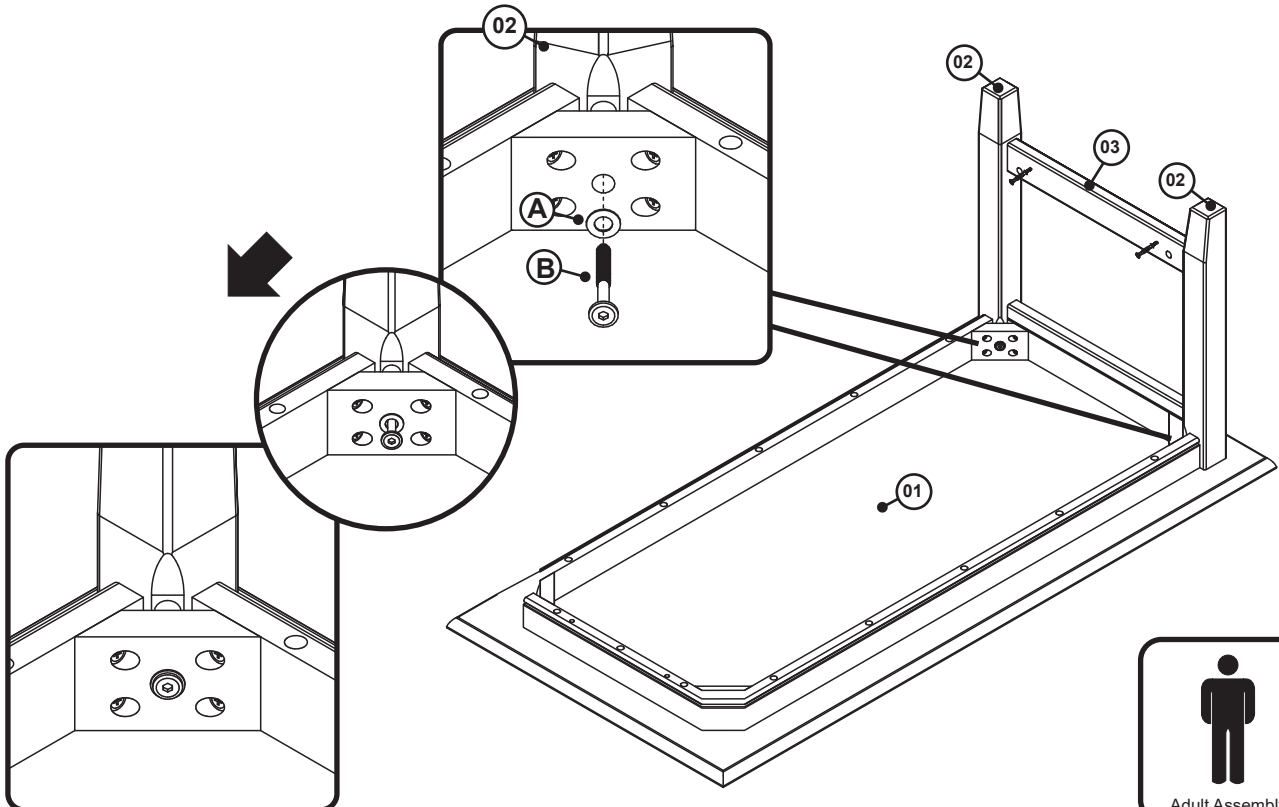
STEP 2

Attach legs (02) onto side panel (03) as shown below. Install cam nuts (F) into locator holes with a phillips head screwdriver. Repeat steps 1 & 2 for the remaining legs and side panel



STEP 3

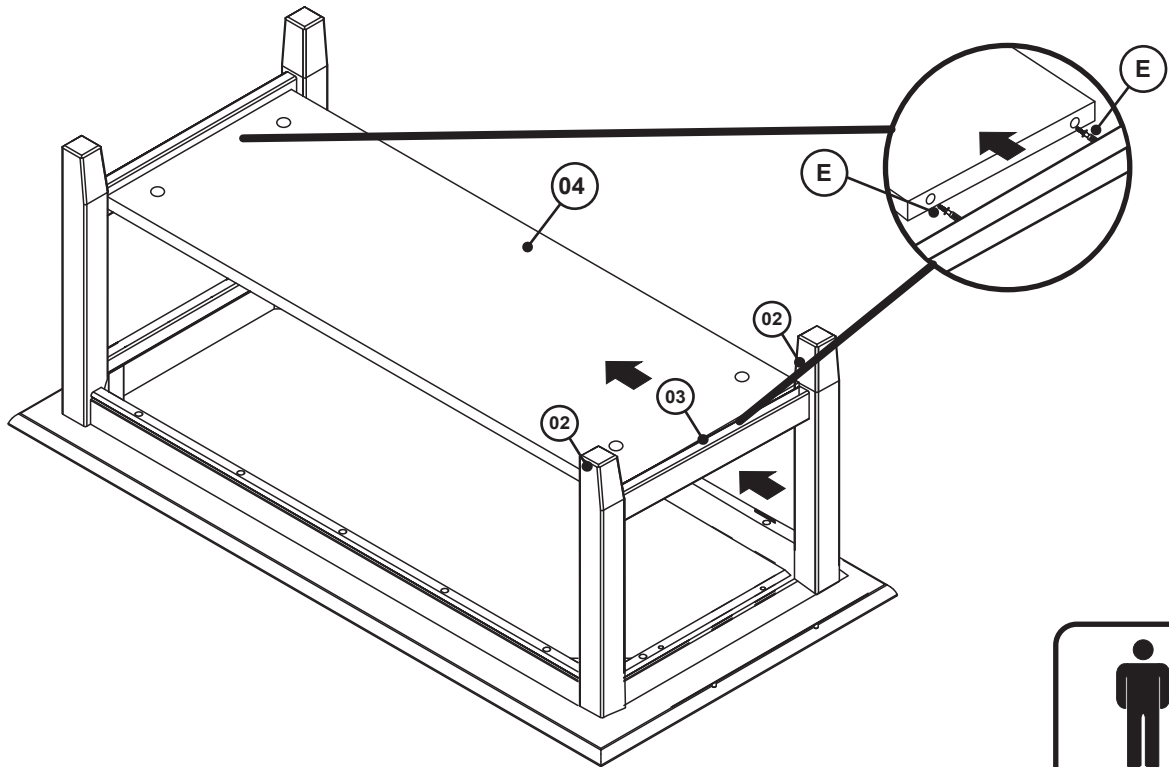
Attach one set of legs (02) to the top panel (01) as shown below using flat washers (A) and JCB (B), tighten with Allen wrench (C).



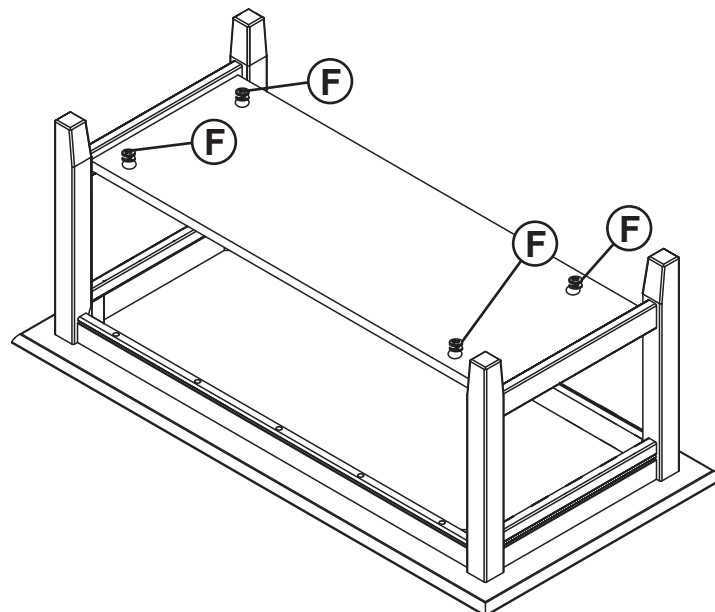
Adult Assembly

STEP 4

Attach second leg set the same as step 3 but first place the lower shelf (04) in position by aligning the cam screws (E) with the holes in the side panel.

**STEP 5**

Install cam nuts (F) into the insert holes on the lower shelf (04) as shown below with a phillips head screwdriver.



Congratulations !

Your coffee table is now ready for use.

We recommend that you recheck that all screws are tight,
and that all parts are secure before use and periodically to ensure lasting Safety.