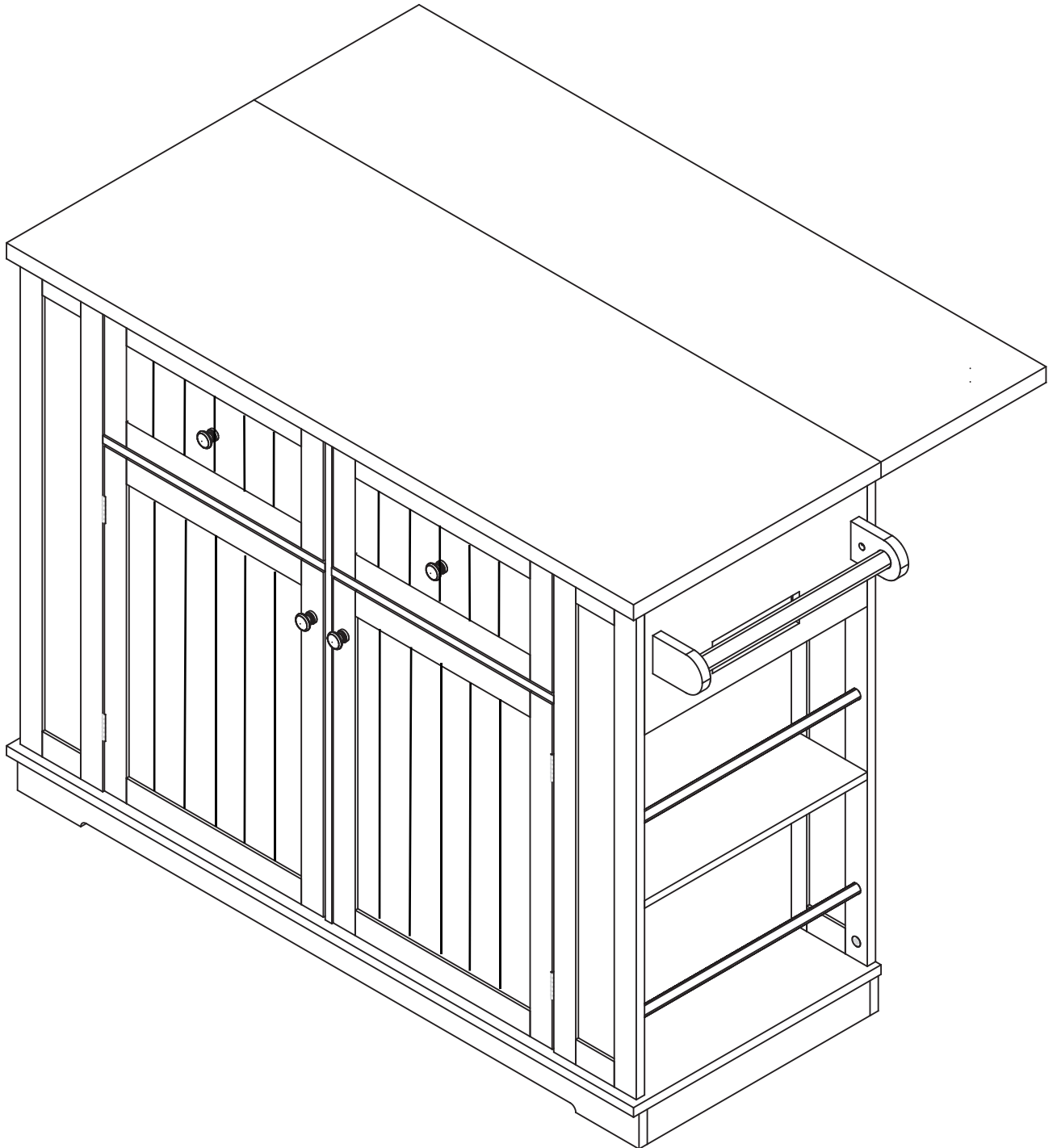


Kitchen Island Cart

Assembly Instructions - Please keep for future reference



Important – Please read these instructions fully before starting assembly



Safety and Care Advice

Important – Please read these instructions fully before starting assembly

- Check you have all the components and tools listed on the following pages.
- Remove all fittings from the plastic bags and separate them into their groups.
- Keep children and animals away from the work area, small parts could choke if swallowed.
- Make sure you have enough space to layout the parts before starting.

- During assembly do not stand or put weight on the product, this could cause damage.
- Assemble the item as close to its final position (in the same room) as possible.
- Assemble on a soft level surface to avoid damaging the unit or your floor.
- Parts of the assembly will be easier with 2 people.



power drill is set on a low torque setting.

- To reduce the likelihood of damaging your product please ensure that your

Care and maintenance

- Only clean using a damp cloth and mild detergent, do not use bleach or abrasive cleaners.
- From time to time check that there are no loose screws on this unit.
- This product should not be discarded with household waste. Take to your local authority waste disposal centre.

Handy Hints

- Assemble all parts and bolts loosely during assembly, only once the product is complete should you fully tighten the bolts
- Regularly check and ensure That all bolts and fittings are tightened properly.

WARNING
In order to help prevent overturning –
please follow these instructions

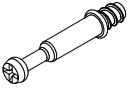
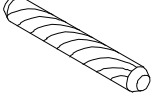

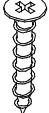
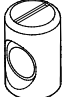
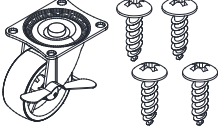
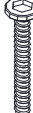

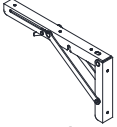
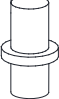
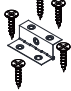

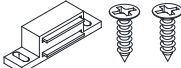

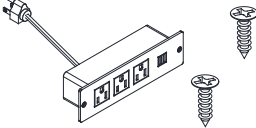
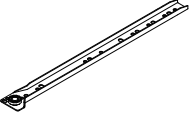
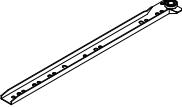
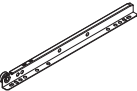
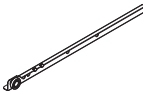
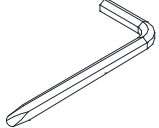
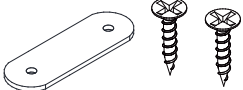

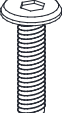



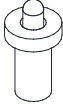
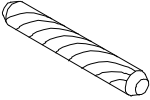
To help prevent product toppling over please follow the below steps:-

- Use the anti tip stap or wall fixing method provided (if applicable)
- Do not allow children to climb or hang on the furniture
- Do not open more than one drawer at a time
- Do not place heavy items in the top drawers
- Do not place heavy items on top of the furniture, unless the furniture has been designed for this purpose

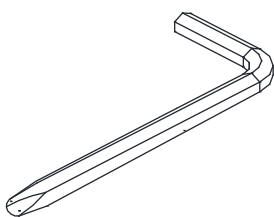
Components - Fittings

Please check you have all the panels listed below

Note: The quantities below are the correct amount to complete the assembly. In some cases, more fittings may be supplied than required.

<p>(A)  Cam Bolt x 86</p>	<p>(B)  6*30mm Dowel x 60</p>	<p>(C)  Cam lock x 86</p>	<p>(D)  4*25mm Screw x 28</p>
<p>(E)  nut x 2</p>	<p>(F)  4*12mm Locking caster x2</p>	<p>(G)  6*30mm Screw x 2</p>	<p>(H)  3.5*12mm Screw x 18</p>
<p>(I)  Connecting rods x2</p>	<p>(J)  Shelf support pin x 8</p>	<p>(K)  3*12mm Triple fold hinge x 4set</p>	<p>(L)  4*20mm Handle x 2SET</p>
<p>(M)  3*16mm Door stopper x 2SET</p>	<p>(N)  4*12mm Handle x 2SET</p>	<p>(O)  3.5*12mm socket x 1</p>	<p>(CL)  300mm runner x 2</p>
<p>(CR)  300mm runner x 2</p>	<p>(DR)  300mm runner x 2</p>	<p>(DL)  300mm runner x 2</p>	<p>(P)  Allen key x 1</p>
<p>(Q)  3*12mm Magnetic sheet x 2SET</p>	<p>(R)  4*12mm Caster x3</p>	<p>(S)  6*25mm Screw x4</p>	<p>(T)  m6 nut x 4</p>
<p>(U)  6mm gasket x8</p>	<p>(V)  3.5*14mm Screw x4</p>	<p>(W)  Iron pipe spring x 4</p>	<p>(X)  8*30mm Dowel x 16</p>

Tools required



Phillips screwdriver
(medium & large)

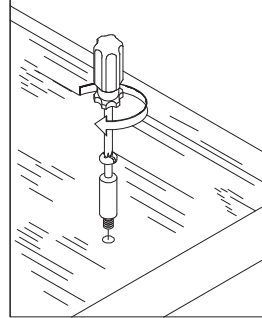
Using Camlocks

Step 1

Connect the male camlock as directed in the assembly instructions using a screwdriver.

1

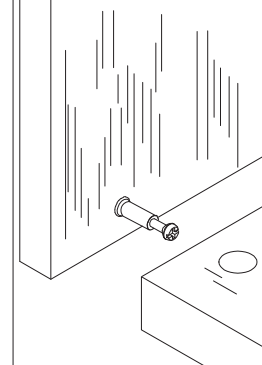
DO NOT OVER TIGHTEN.
NE PAS SERRER EXCESSIVEMENT.



Step 2

Push the male camlock into the entry hole.

2

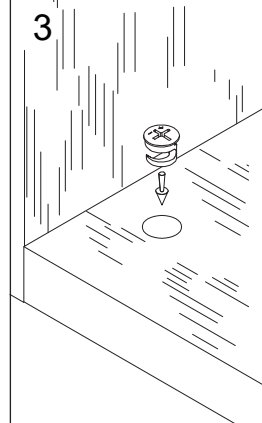


Step 3

Insert the female camlock as shown in the instruction.

Note: ensure that the arrow on the top of the camlock points towards the entry hole for the male camlock.

3



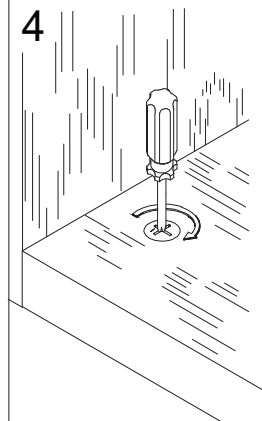
Step 4

Turn the female camlock clockwise with a screwdriver.

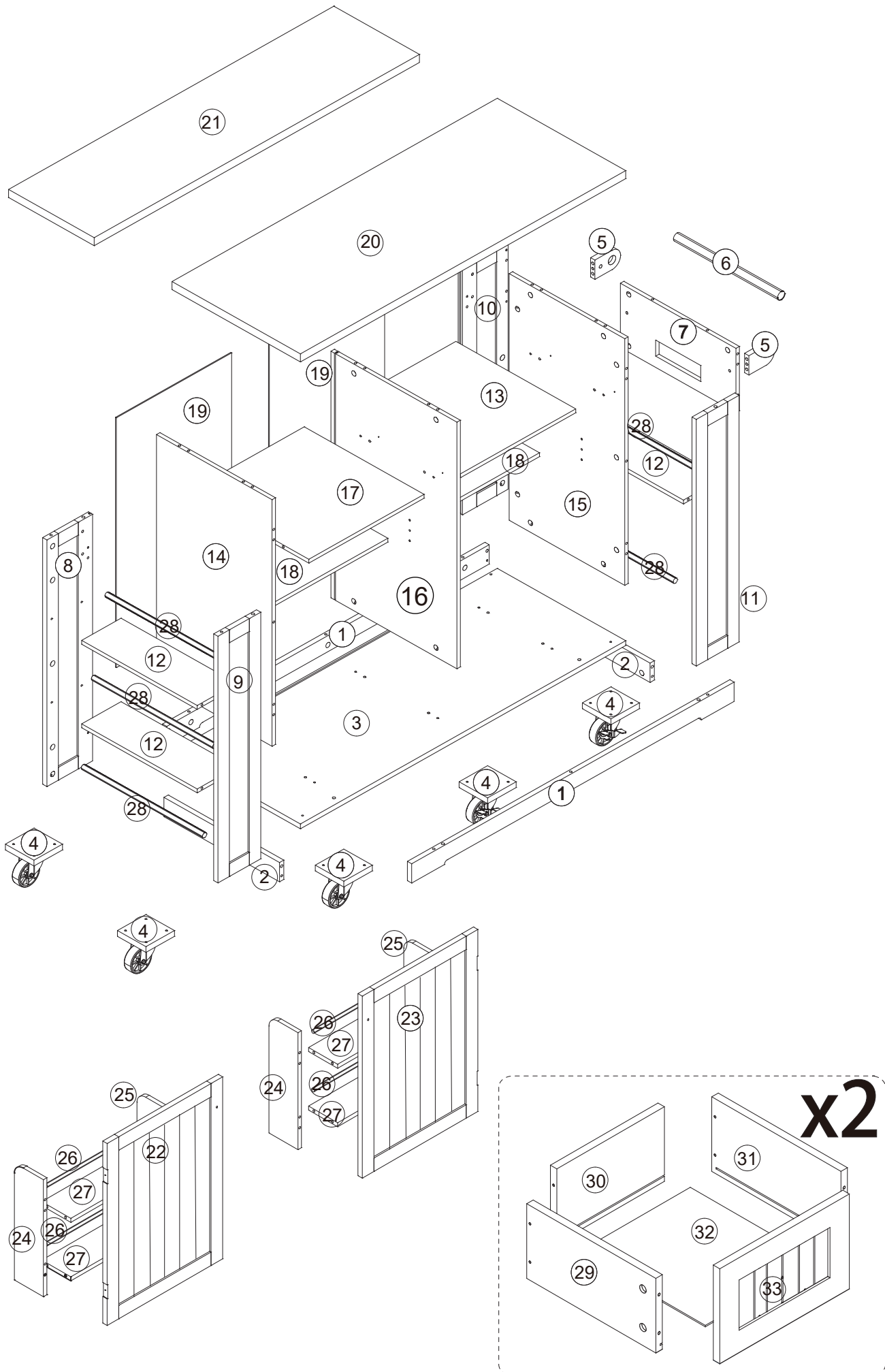
You should feel a click when the camlock is locked in place.

The joint is now secure.

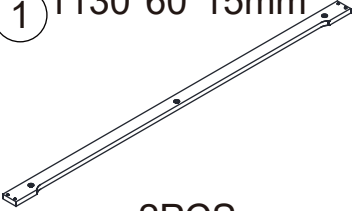
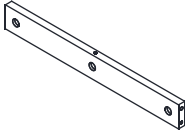
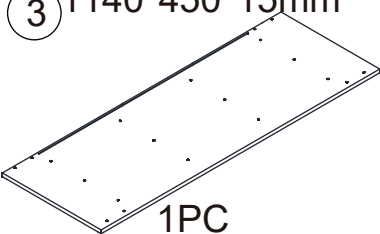
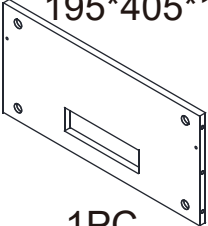
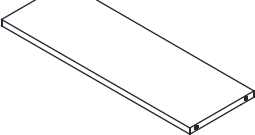


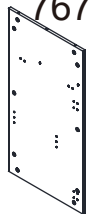

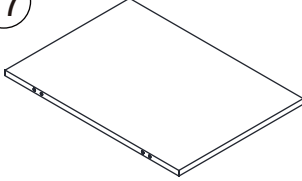
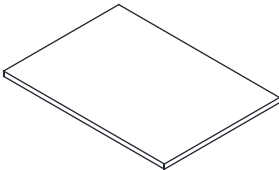

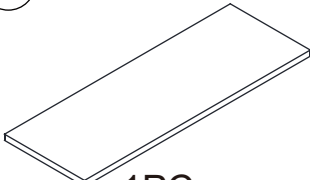
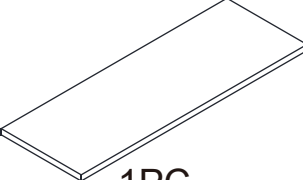
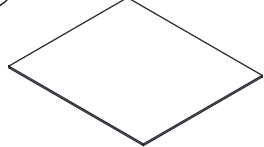
4



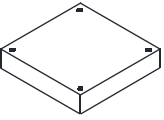
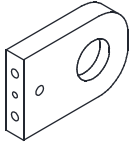
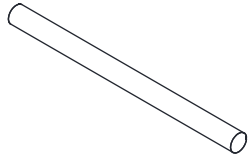
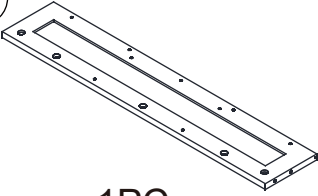
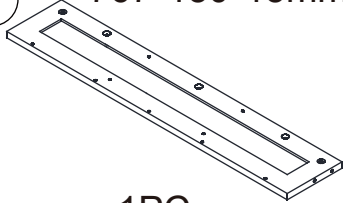
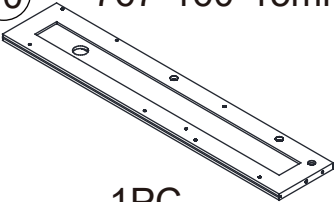
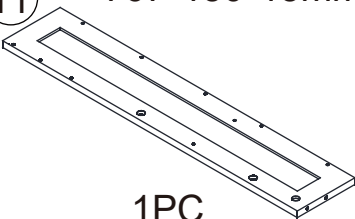
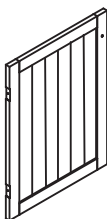

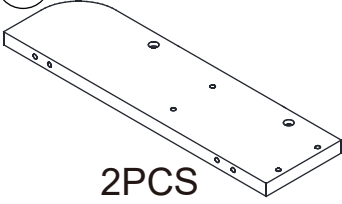
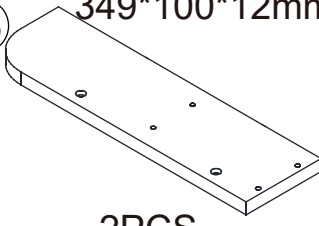
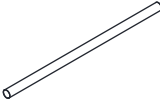
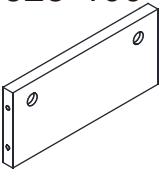
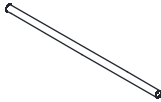
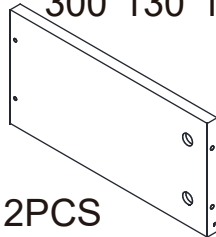
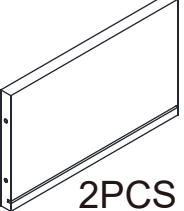
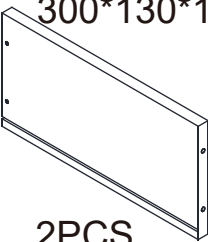
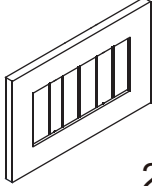
Assembly Instructions



Assembly Instructions

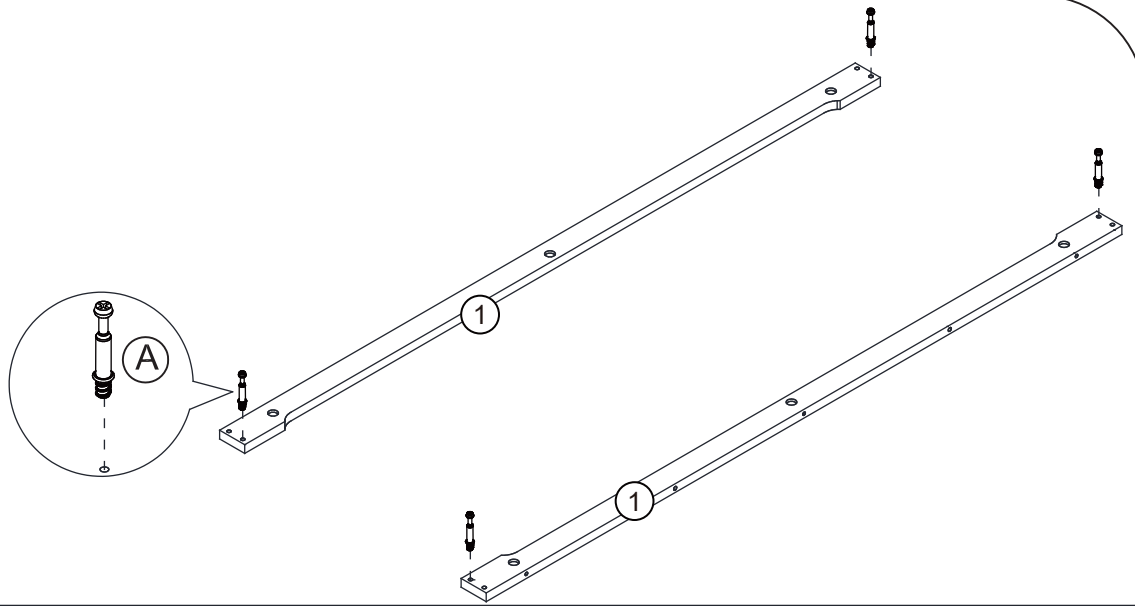
<p>① 1130*60*15mm</p>  <p>2PCS</p>	<p>② 405*60*15mm</p>  <p>2PCS</p>	<p>③ 1140*450*15mm</p>  <p>1PC</p>
<p>⑦ 195*405*12mm</p>  <p>1PC</p>	<p>⑫ 405*138*15mm</p>  <p>3PCS</p>	<p>⑬ 404*420*12mm</p>  <p>1PC</p>
<p>⑭ 767*405*12mm</p>  <p>1PC</p>	<p>⑮ 767*405*12mm</p>  <p>1PC</p>	<p>⑯ 767*435*12mm</p>  <p>1PC</p>
<p>⑰ 404*420*12mm</p>  <p>1PC</p>	<p>⑱ 402*294*12mm</p>  <p>2PCS</p>	<p>⑲ 777*404*3mm</p>  <p>2PCS</p>
<p>⑳ 1140*450*25mm</p>  <p>1PC</p>	<p>㉑ 1140*300*25mm</p>  <p>1PC</p>	<p>㉓ 298*366*3mm</p>  <p>2PCS</p>

Assembly Instructions

<p>④ 100*100*18mm</p>  <p>5PCS</p>	<p>⑤ 90*60*15mm</p>  <p>2PCS</p>	<p>⑥ 24*365mm</p>  <p>1PC</p>
<p>⑧ 767*160*15mm</p>  <p>1PC</p>	<p>⑨ 767*150*15mm</p>  <p>1PC</p>	<p>⑩ 767*160*15mm</p>  <p>1PC</p>
<p>⑪ 767*150*15mm</p>  <p>1PC</p>	<p>⑫ 543*398*15mm</p>  <p>1PC</p>	<p>⑬ 543*398*15mm</p>  <p>1PC</p>
<p>⑭ 349*100*12mm</p>  <p>2PCS</p>	<p>⑮ 349*100*12mm</p>  <p>2PCS</p>	<p>⑯ 10*333mm</p>  <p>4PCS</p>
<p>⑰ 328*100*12mm</p>  <p>4PCS</p>	<p>⑱ 15*415mm</p>  <p>5PCS</p>	<p>⑲ 300*130*12mm</p>  <p>2PCS</p>
<p>⑳ 354*130*12mm</p>  <p>2PCS</p>	<p>㉑ 300*130*12mm</p>  <p>2PCS</p>	<p>㉓ 398*200*15mm</p>  <p>2PCS</p>

Assembly Instructions

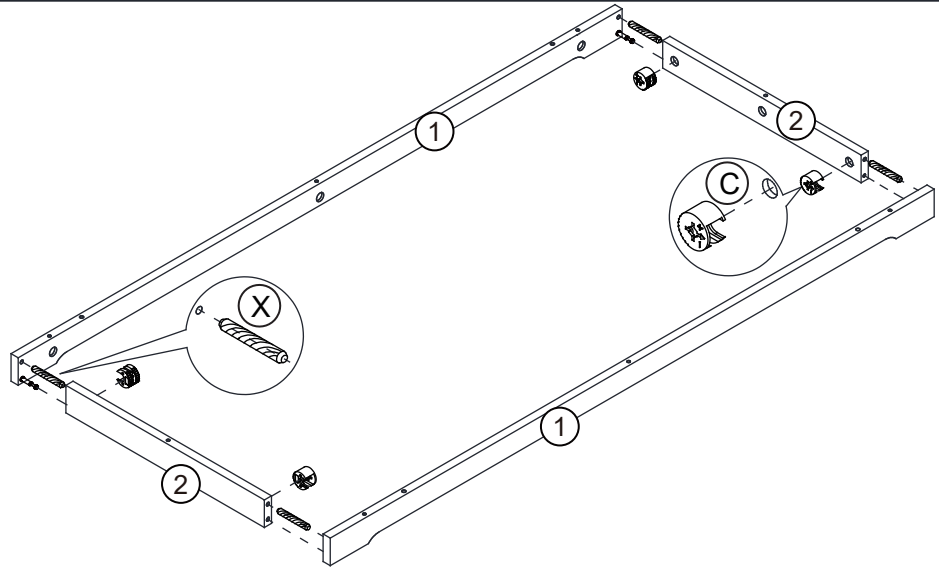
Step 1



(A)

Cam Bolt x4

Step 2



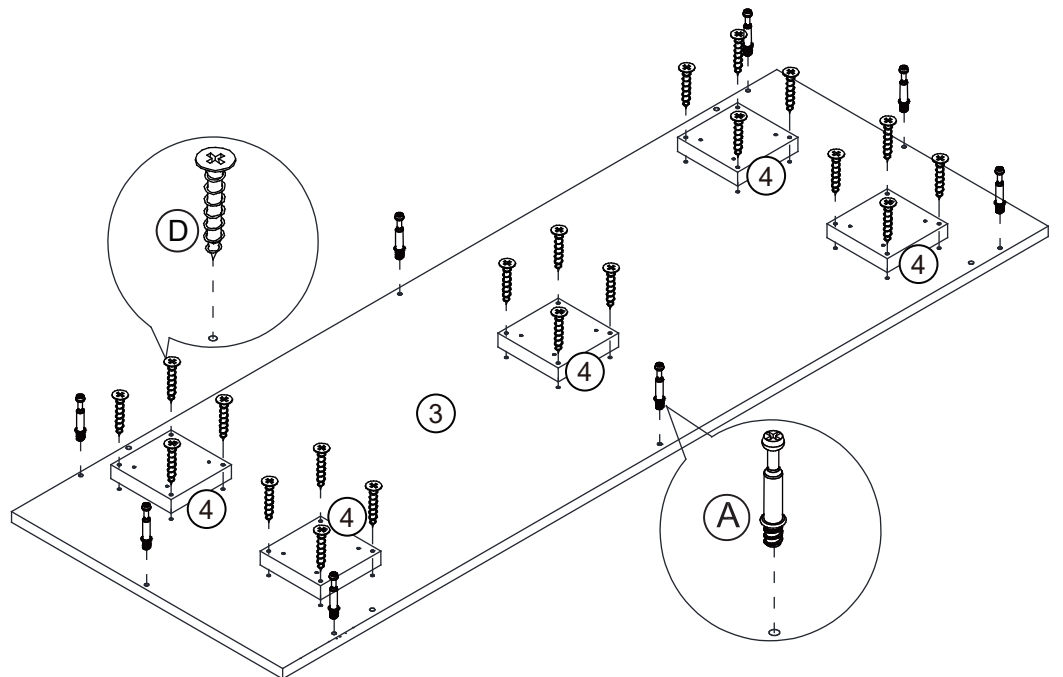
(C)

Cam lock x 4

(X)

8*30mm Dowel x 4

Step 3



(D)

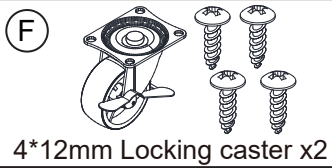
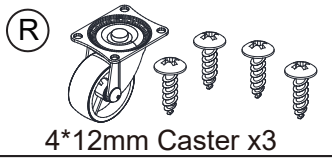
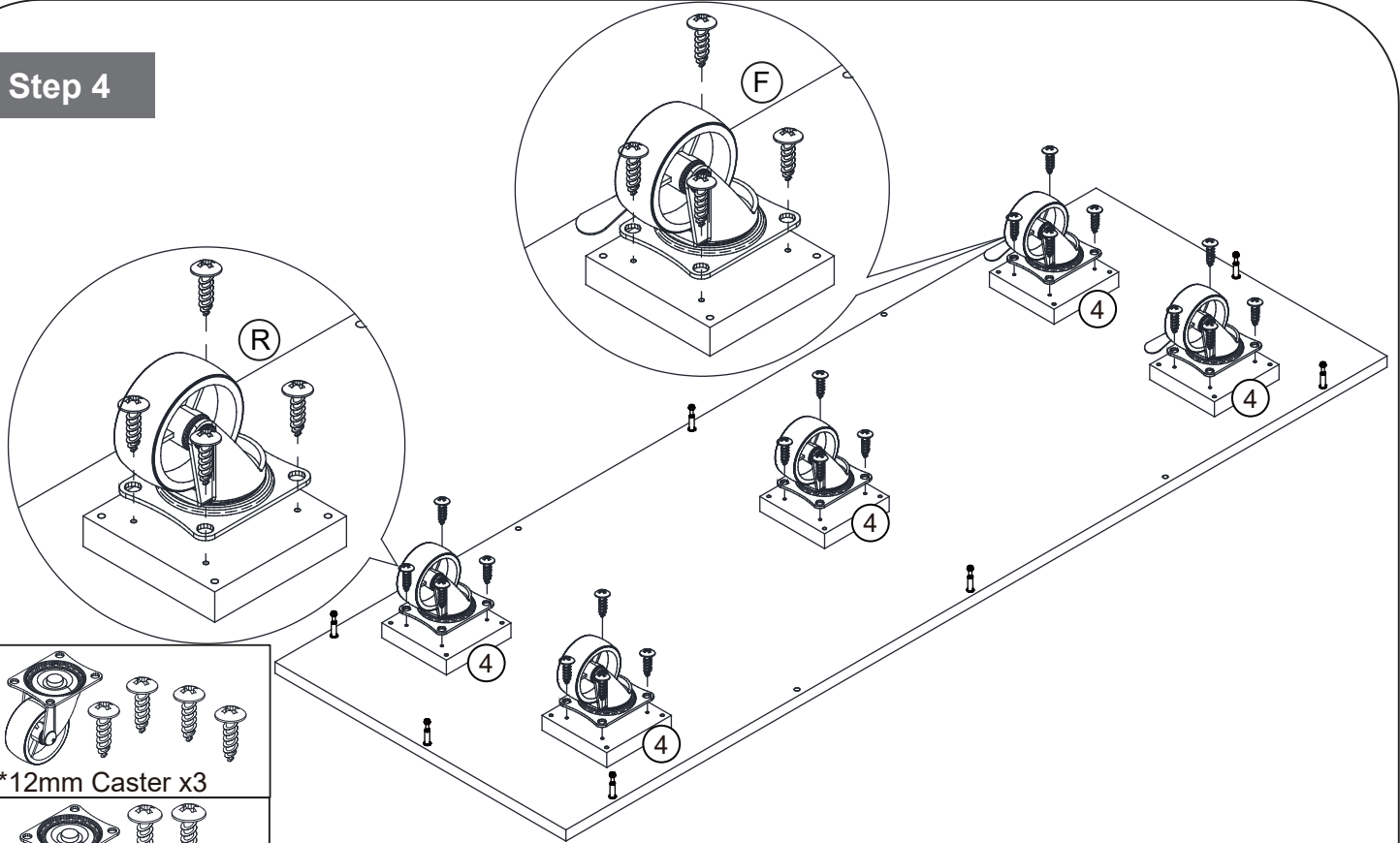
4*25mm Screw x 20

(A)

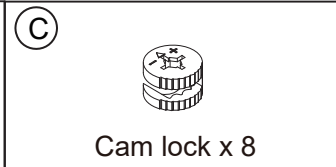
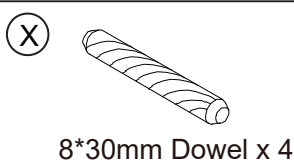
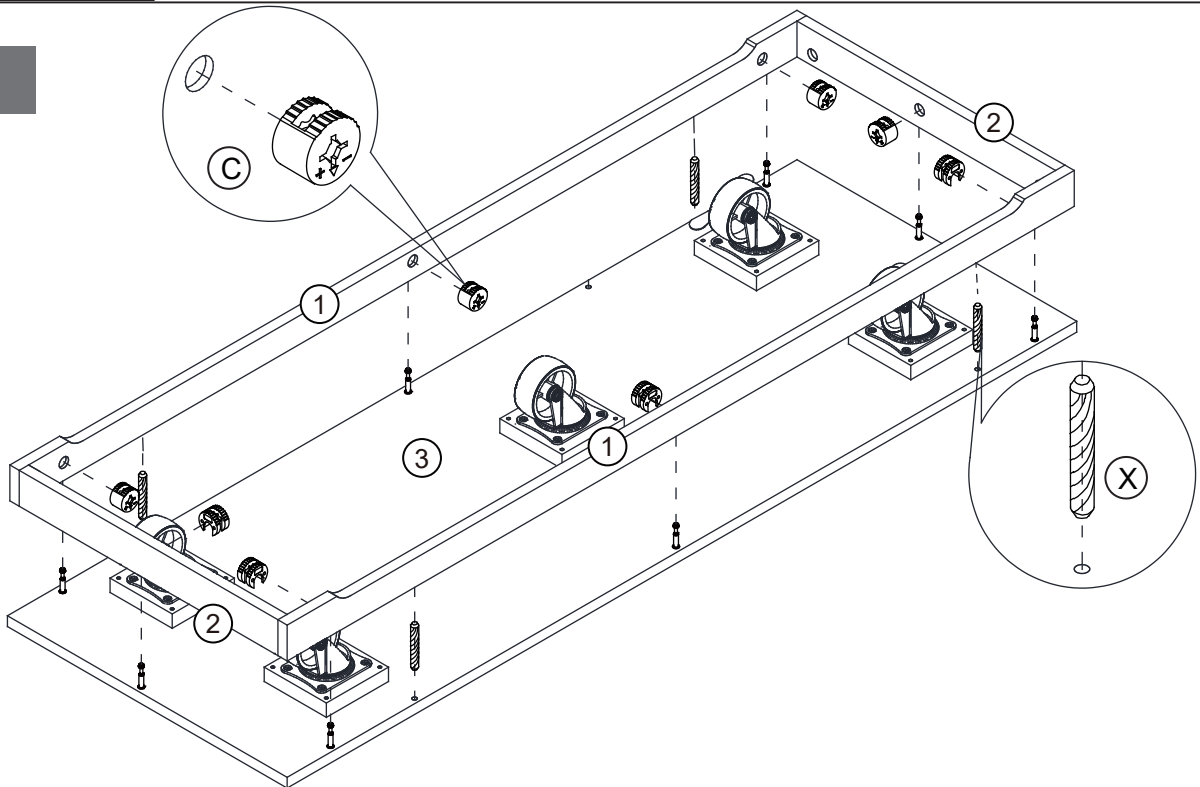
Cam Bolt x8

Assembly Instructions

Step 4

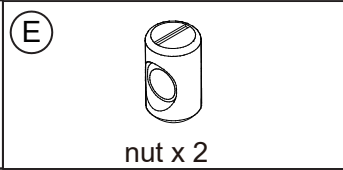
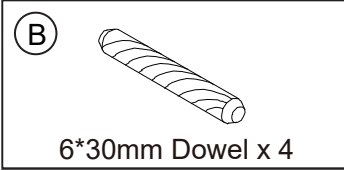
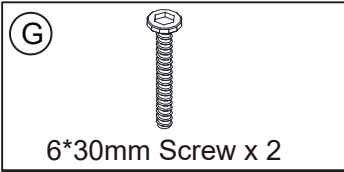
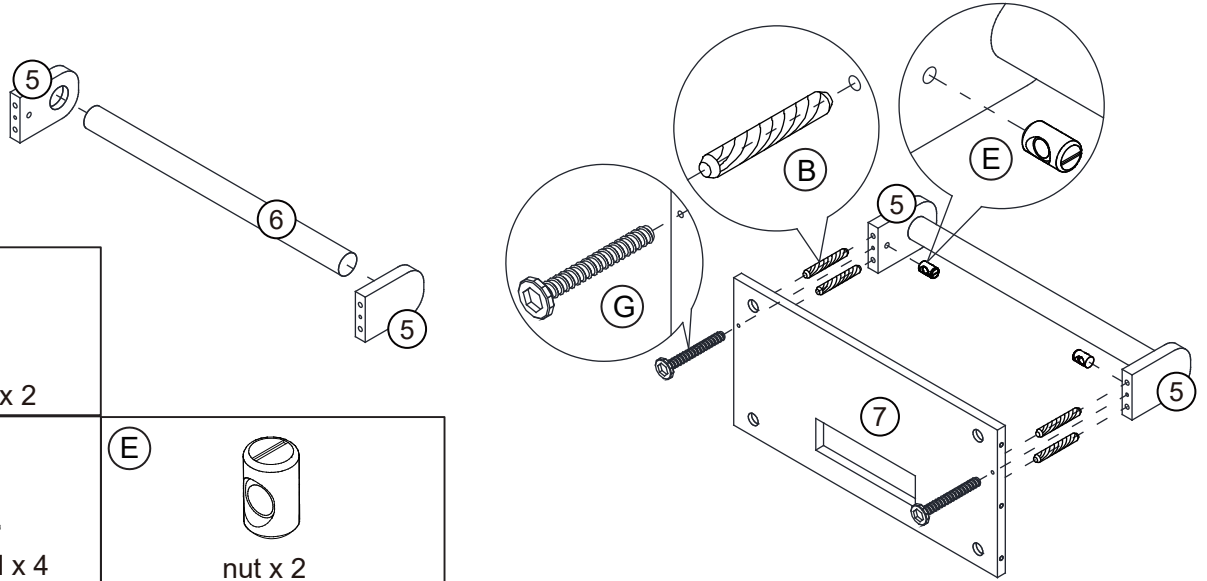


Step 5

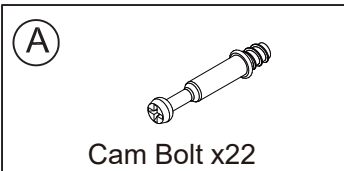
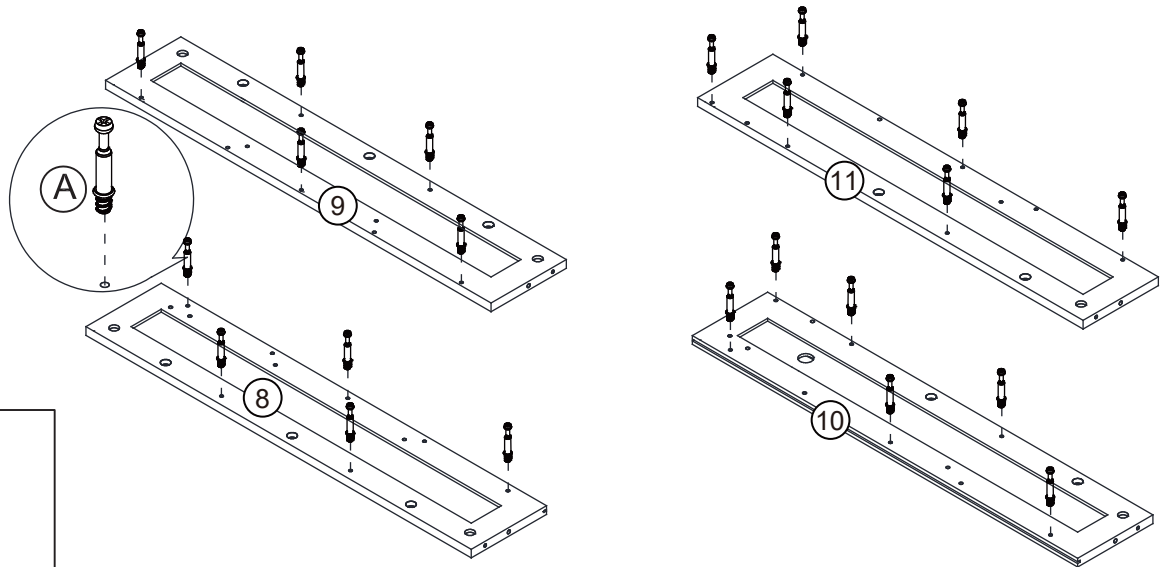


Assembly Instructions

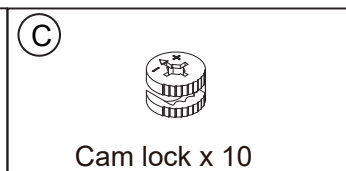
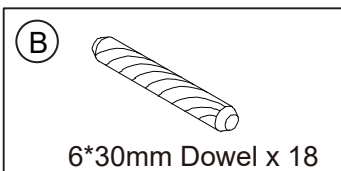
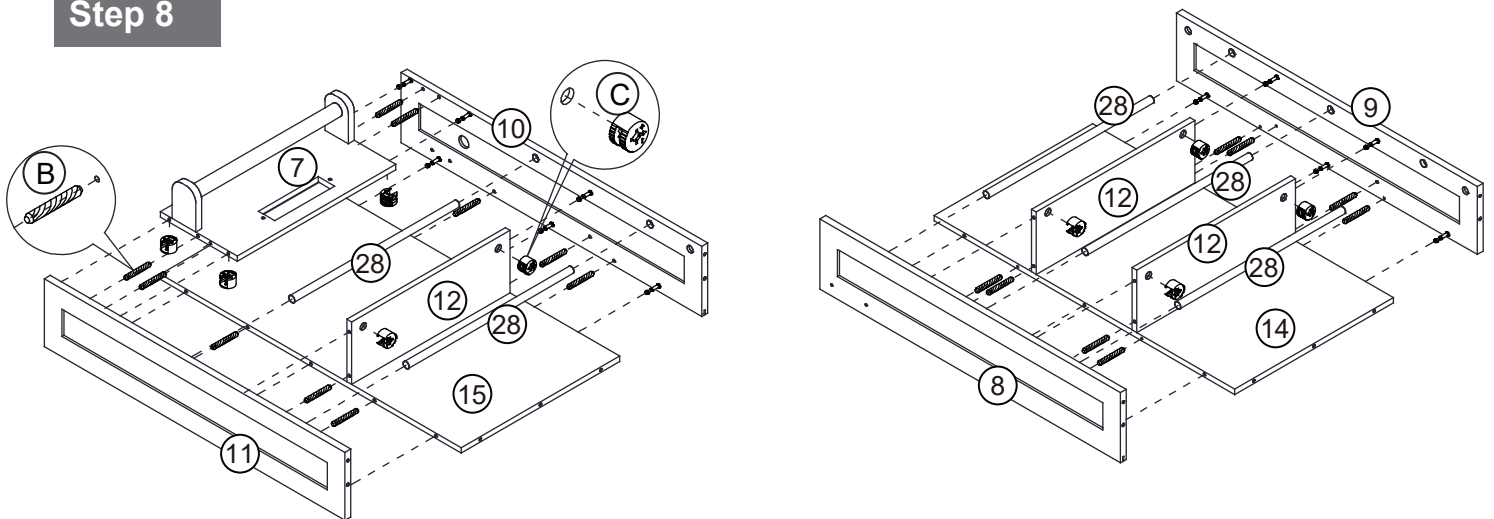
Step 6



Step 7

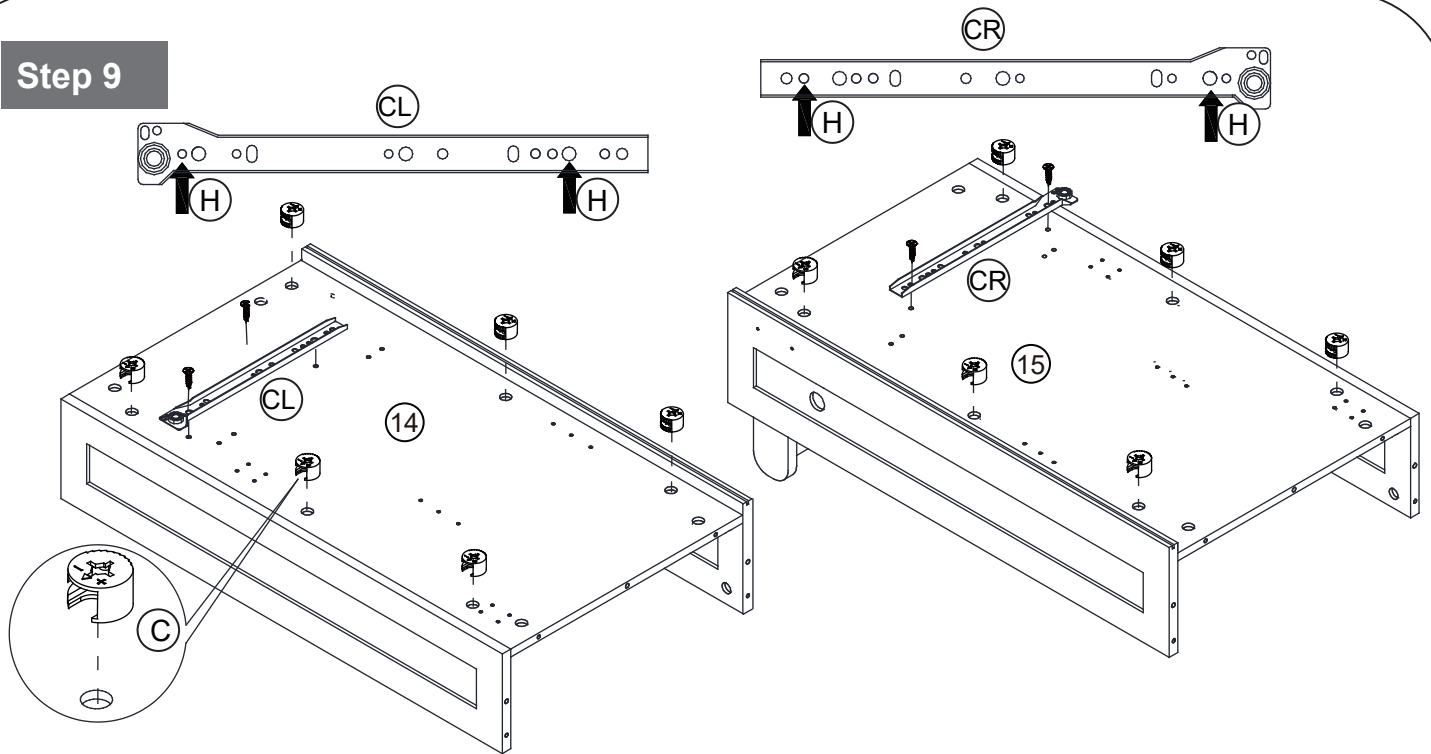


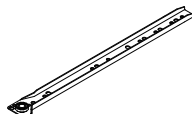
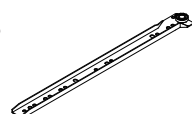


Step 8



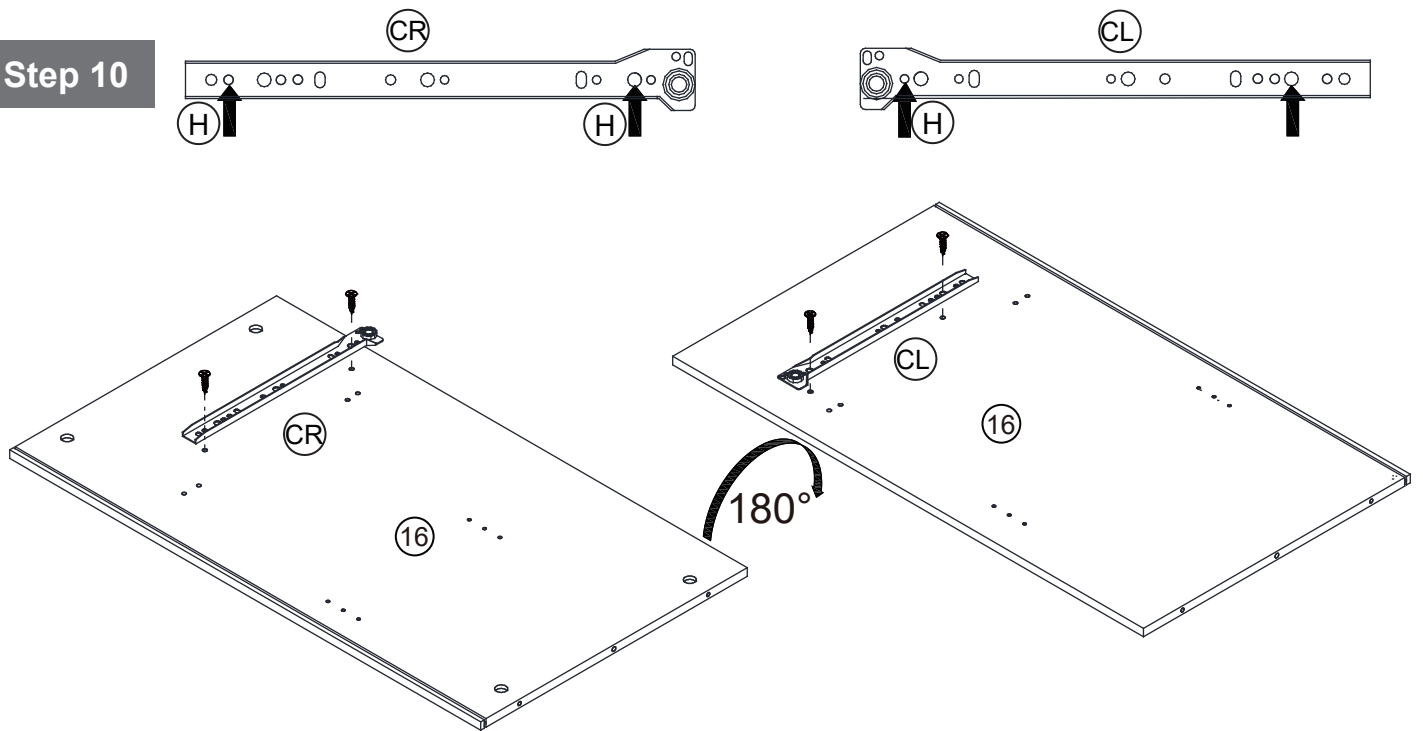
Assembly Instructions

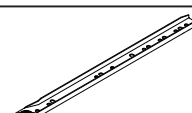
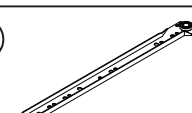

Step 9



<p>(CL)</p>  <p>300mm runner x 1</p>	<p>(CR)</p>  <p>300mm runner x 1</p>	<p>(C)</p>  <p>Cam lock x 12</p>	<p>(H)</p>  <p>3.5*12mm Screw x 4</p>
---	---	---	--

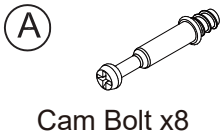
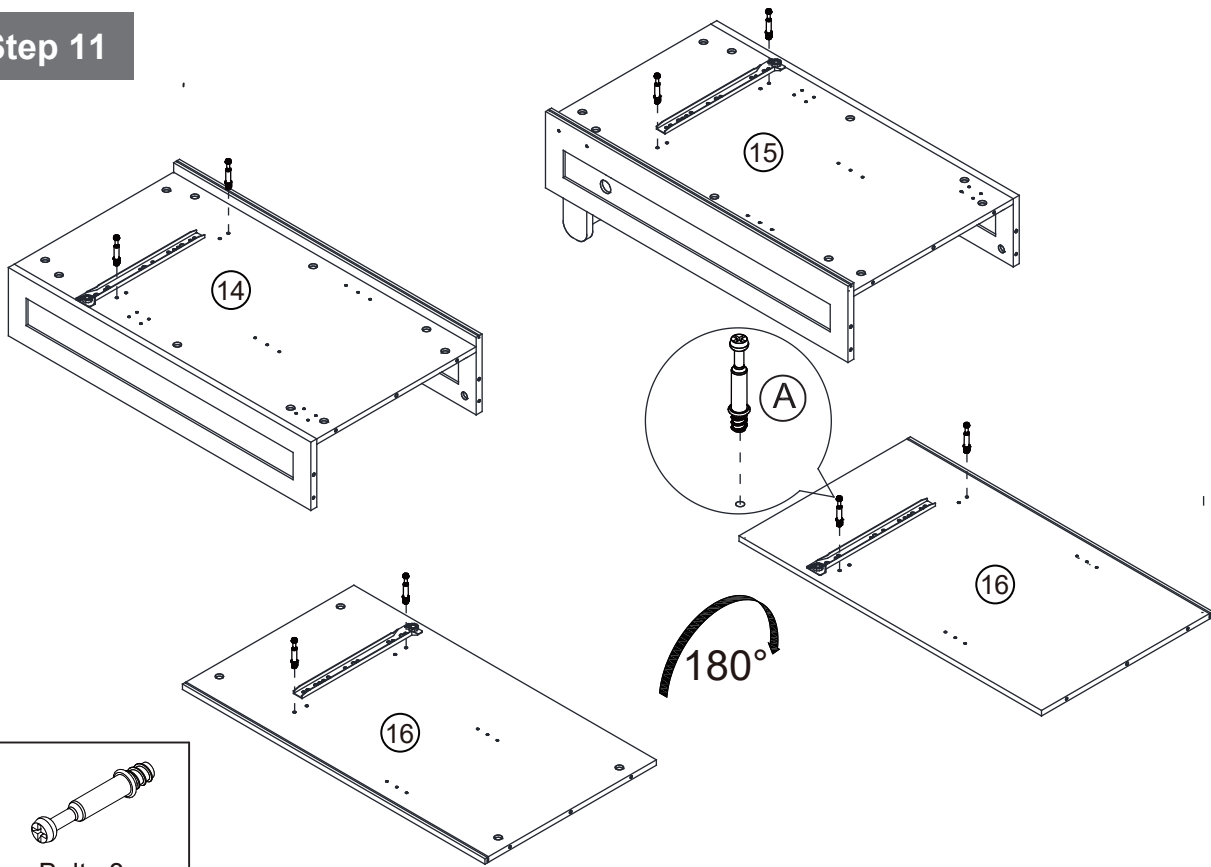
Step 10



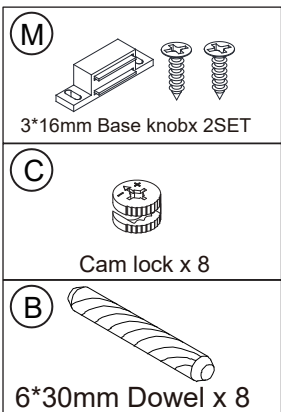
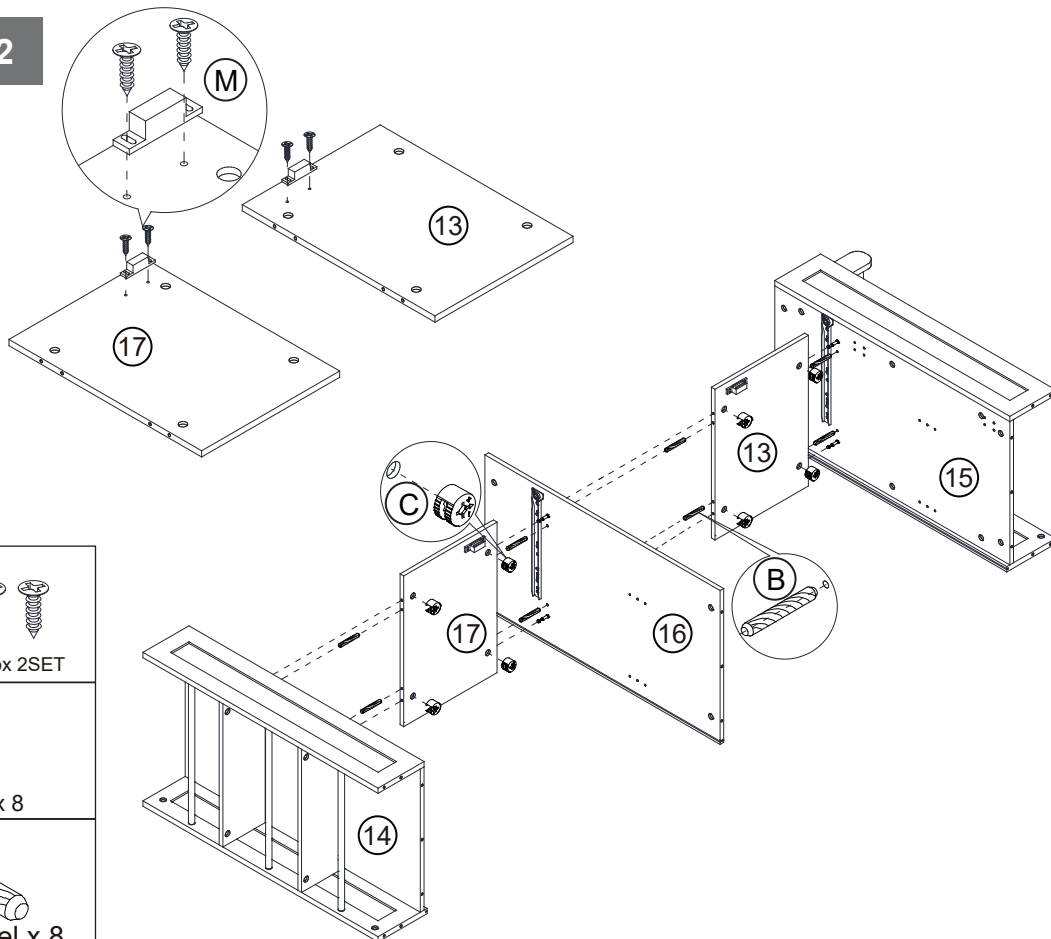
<p>(CL)</p>  <p>300mm runner x 1</p>	<p>(CR)</p>  <p>300mm runner x 1</p>	<p>(H)</p>  <p>3.5*12mm Screw x 4</p>
---	---	--

Assembly Instructions

Step 11

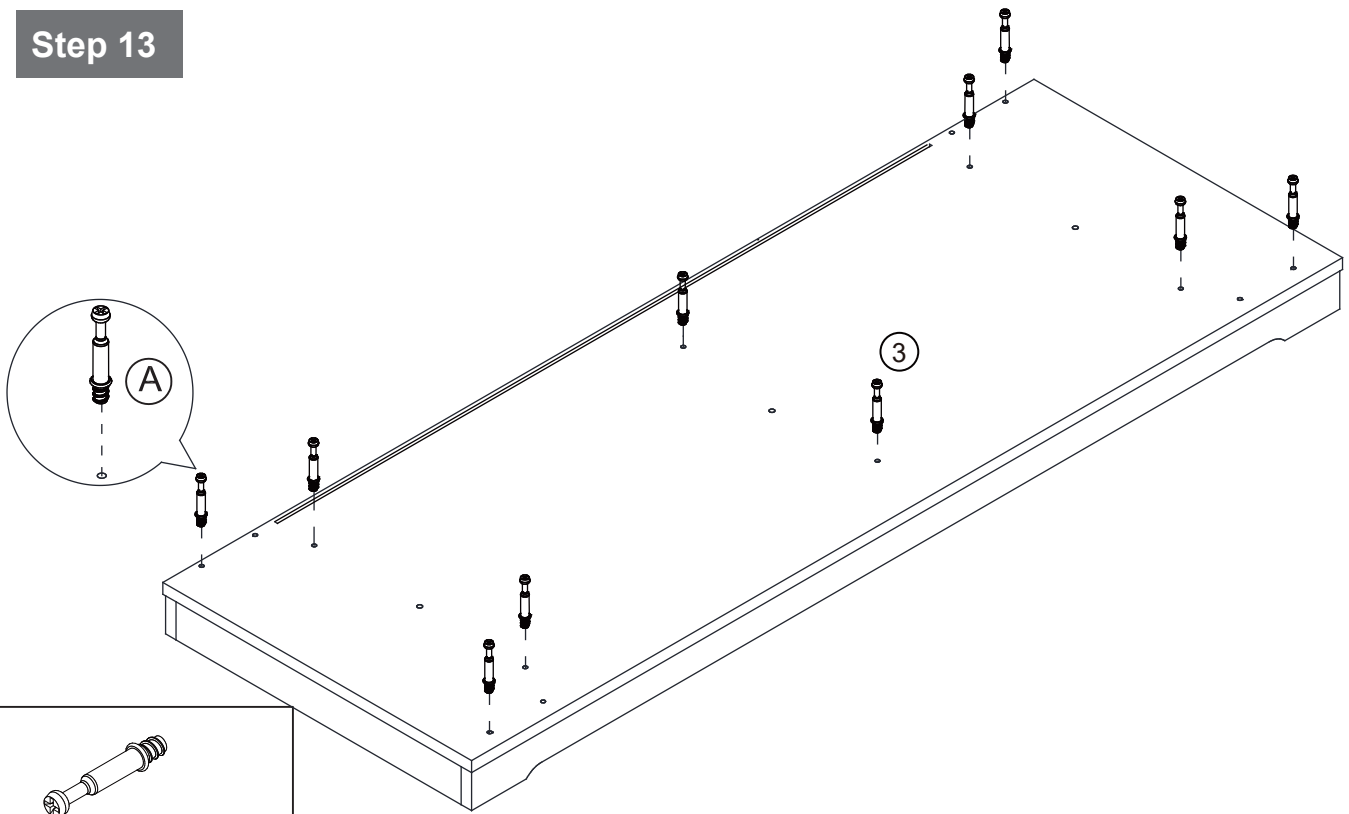


Step 12

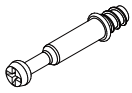


Assembly Instructions

Step 13

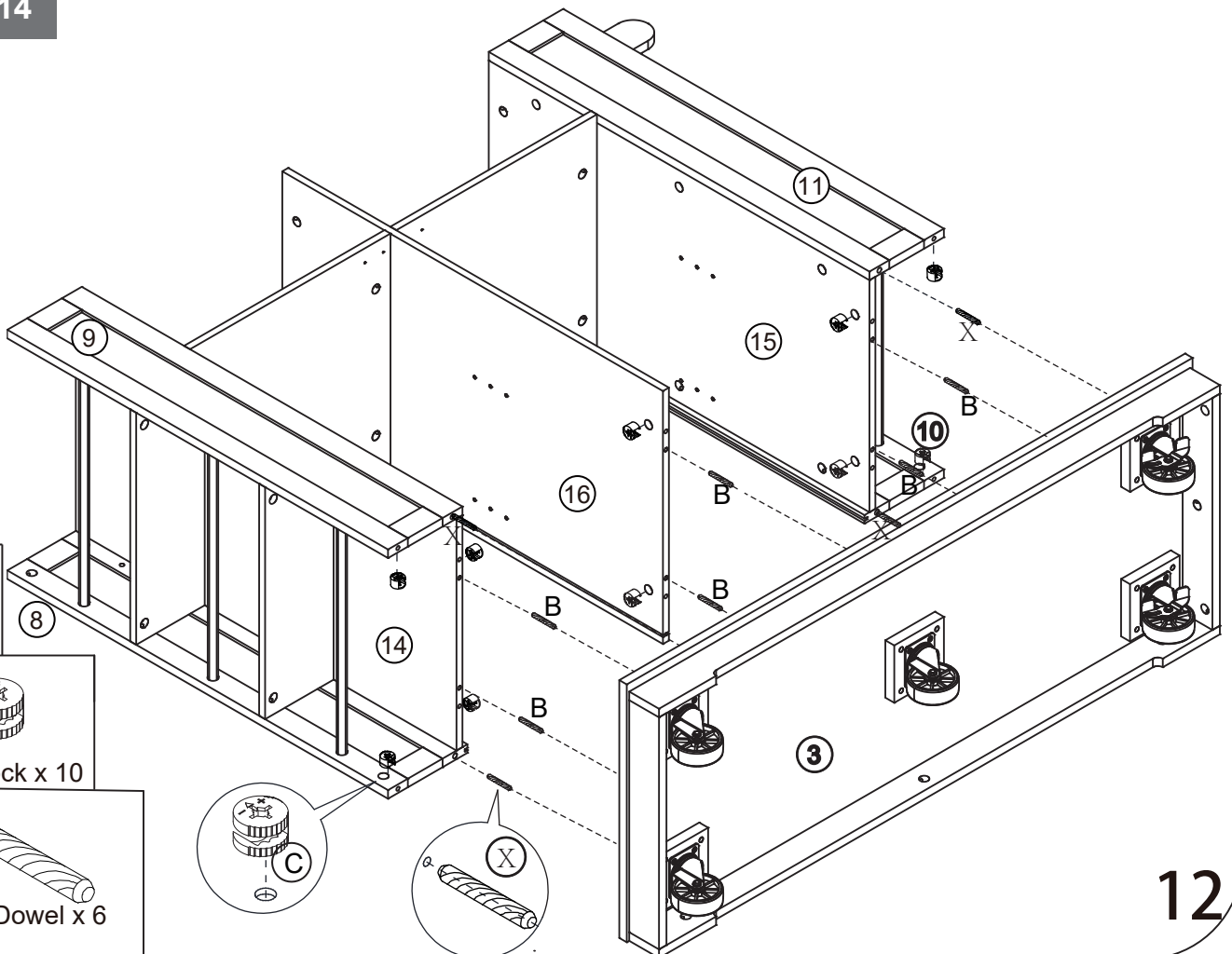


A



Cam Bolt x 10

Step 14



X

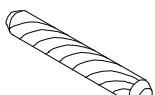
8*30mm Dowel x 4

C



Cam lock x 10

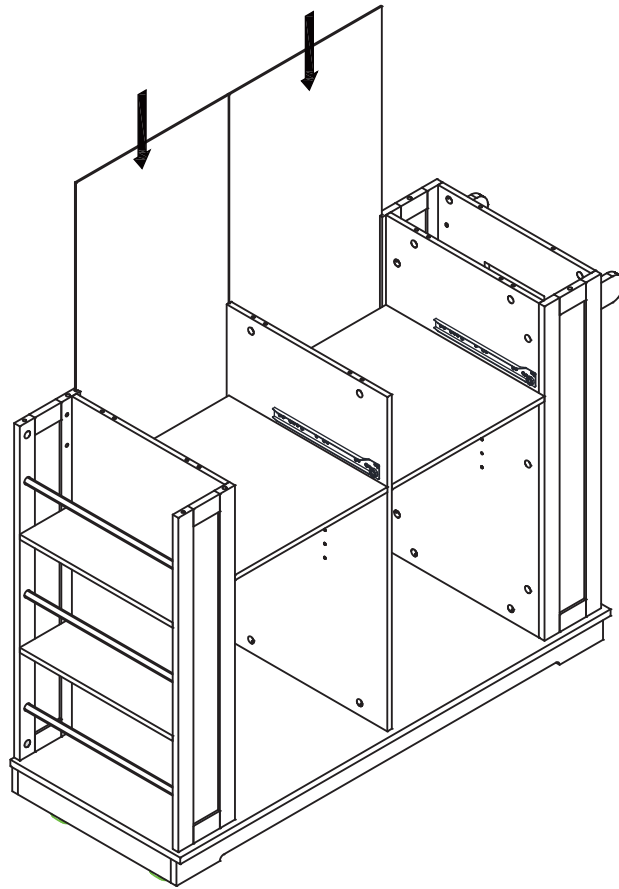
B



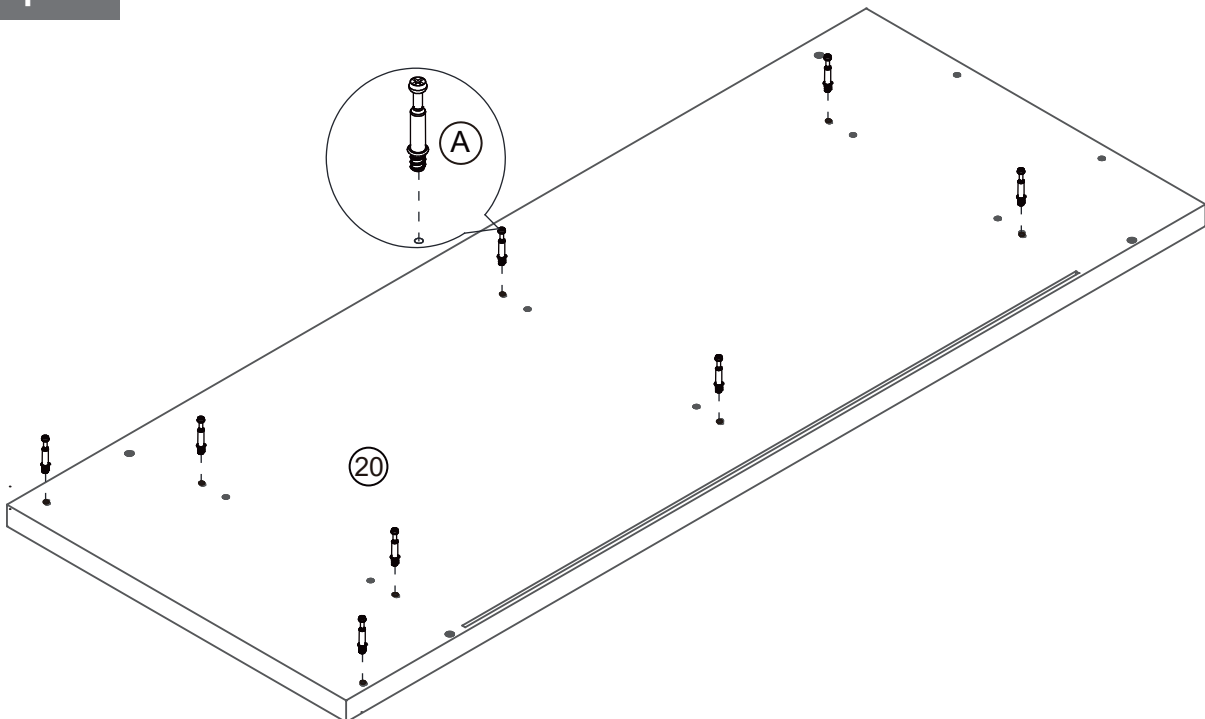
6*30mm Dowel x 6

Assembly Instructions

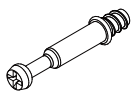
Step 15



Step 16



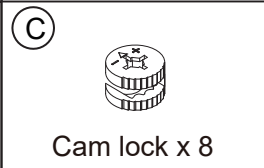
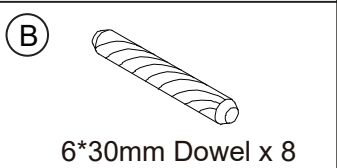
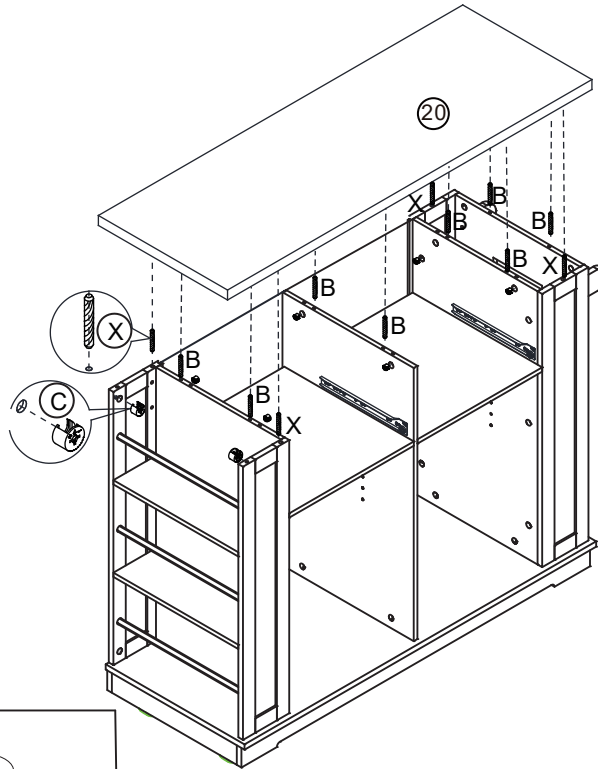
A



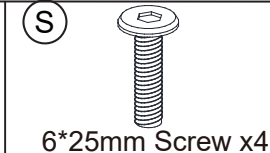
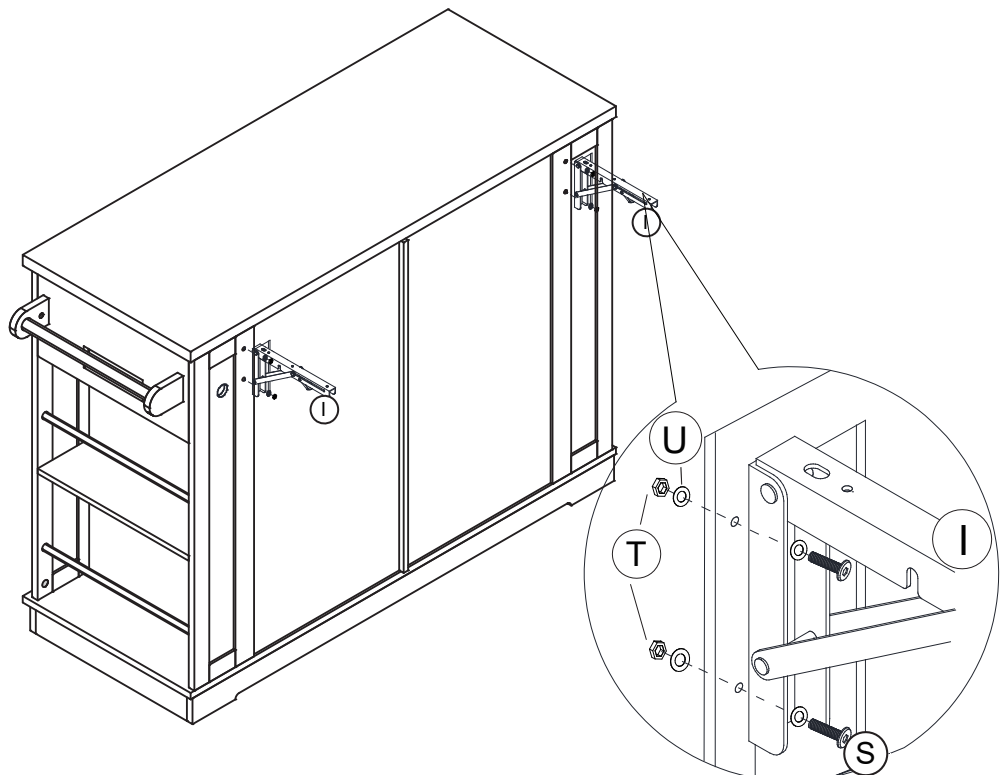
Cam Bolt x 8

Assembly Instructions

Step 17

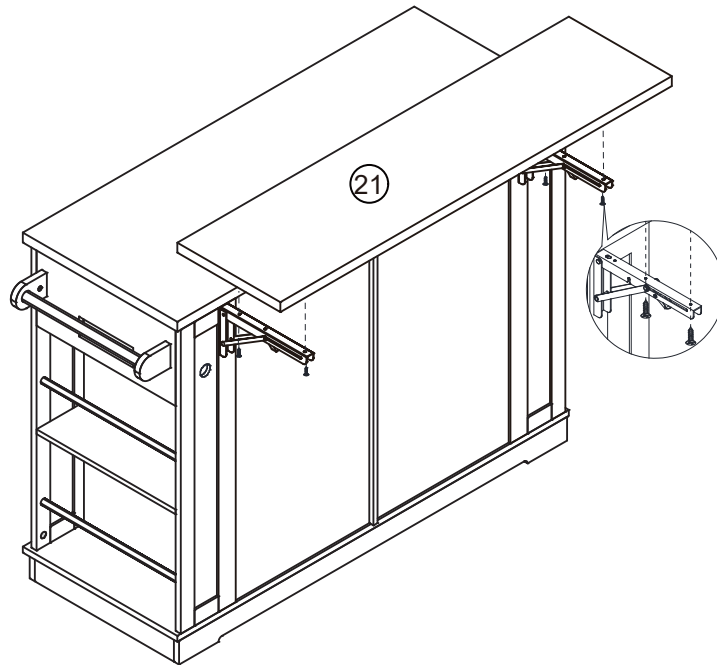


Step 18



Assembly Instructions

Step 19

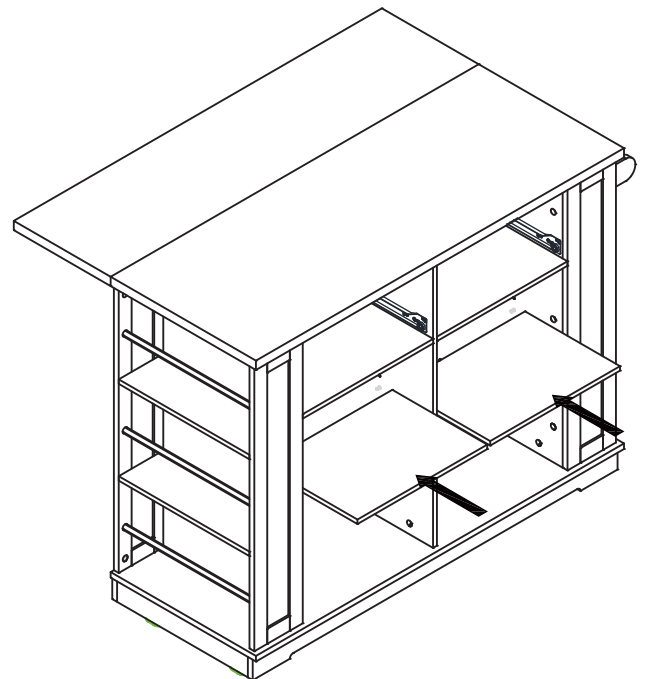
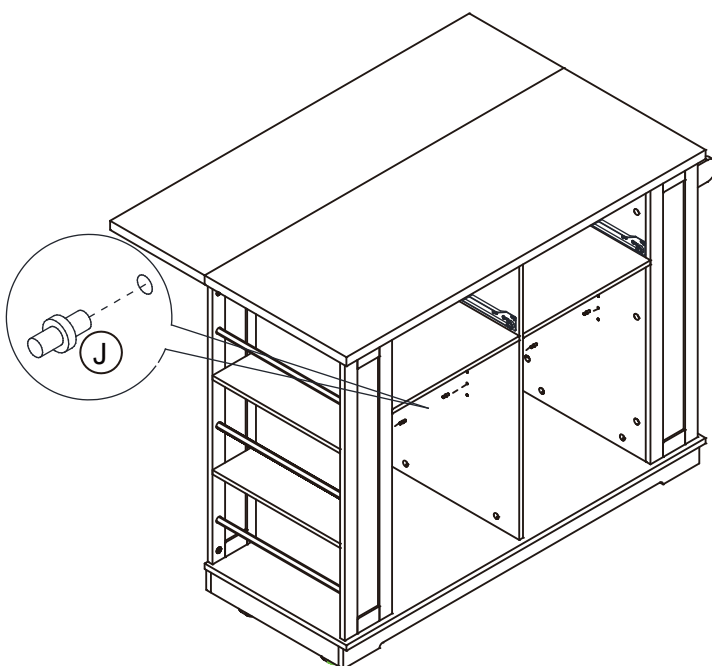


(V)

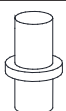


3.5*14mm Screw x4

Step 20



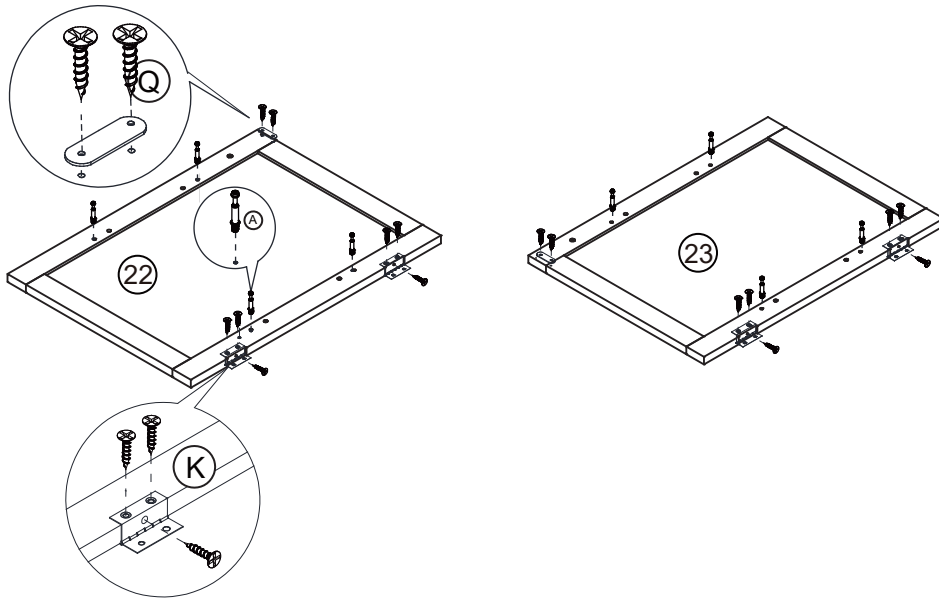
(J)



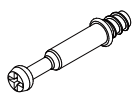
Shelf support pin x 8

Assembly Instructions

Step 21

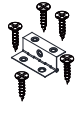


(A)



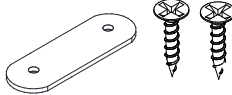
Cam Bolt x 8

(K)



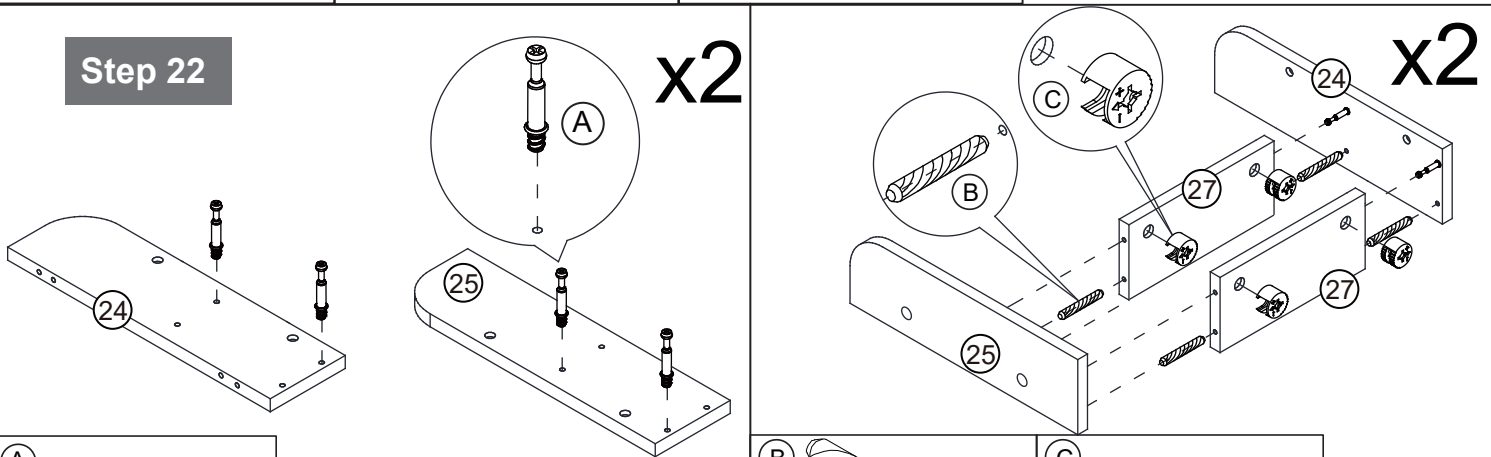
3*12mm Triple fold hinge
x 4set

(Q)

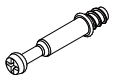


3*12mm Magnetic sheet x 2SET

Step 22

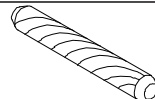


(A)



Cam Bolt x 8

(B)

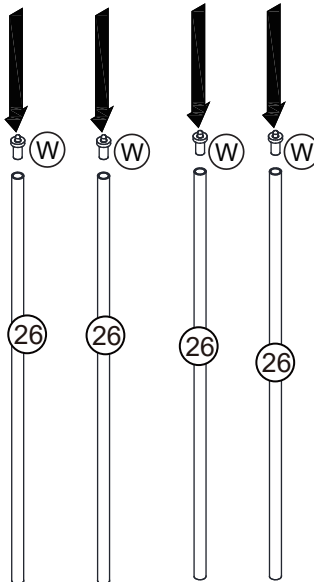
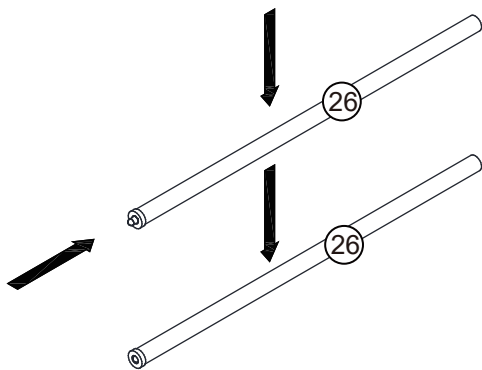


6*30mm Dowel x 8

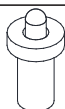
(C)



Cam lock x 8



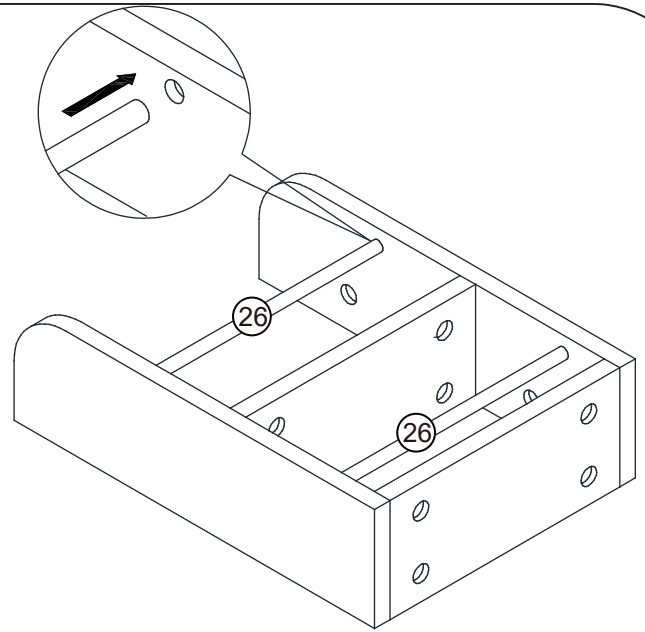
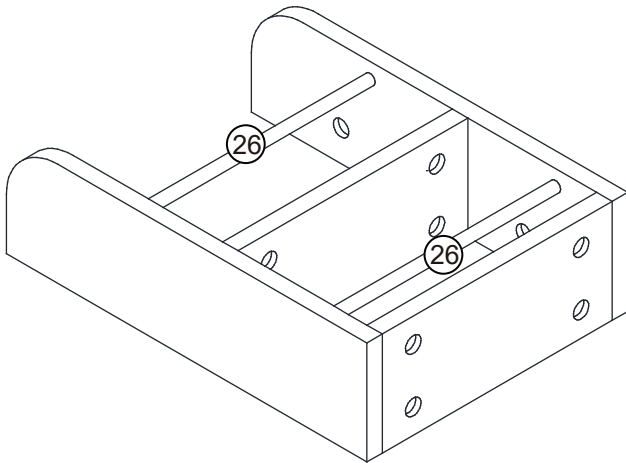
(W)



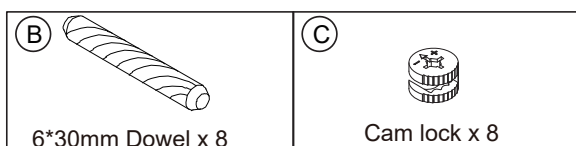
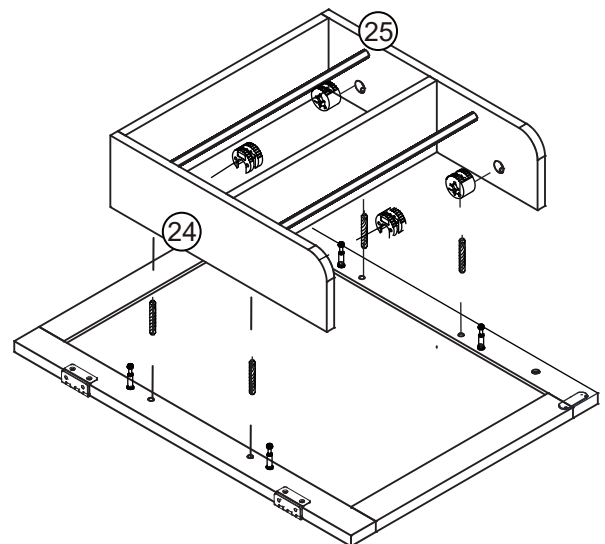
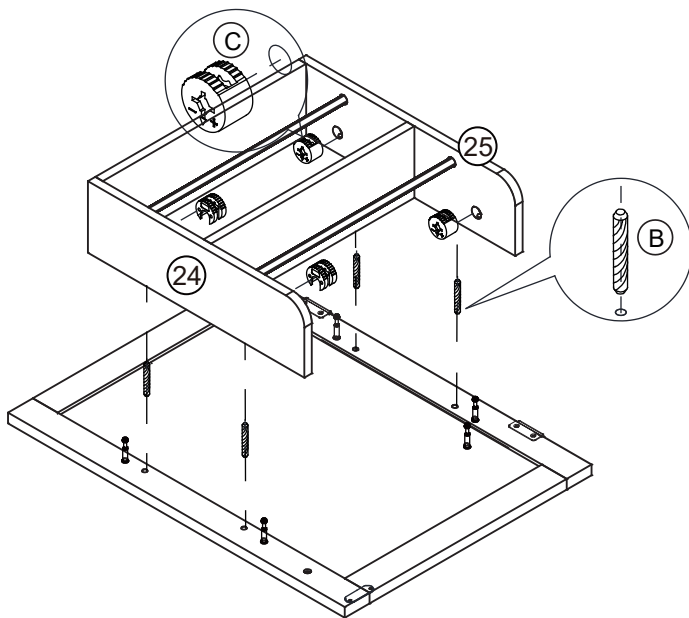
Iron pipe spring x 4

Assembly Instructions

Step 23

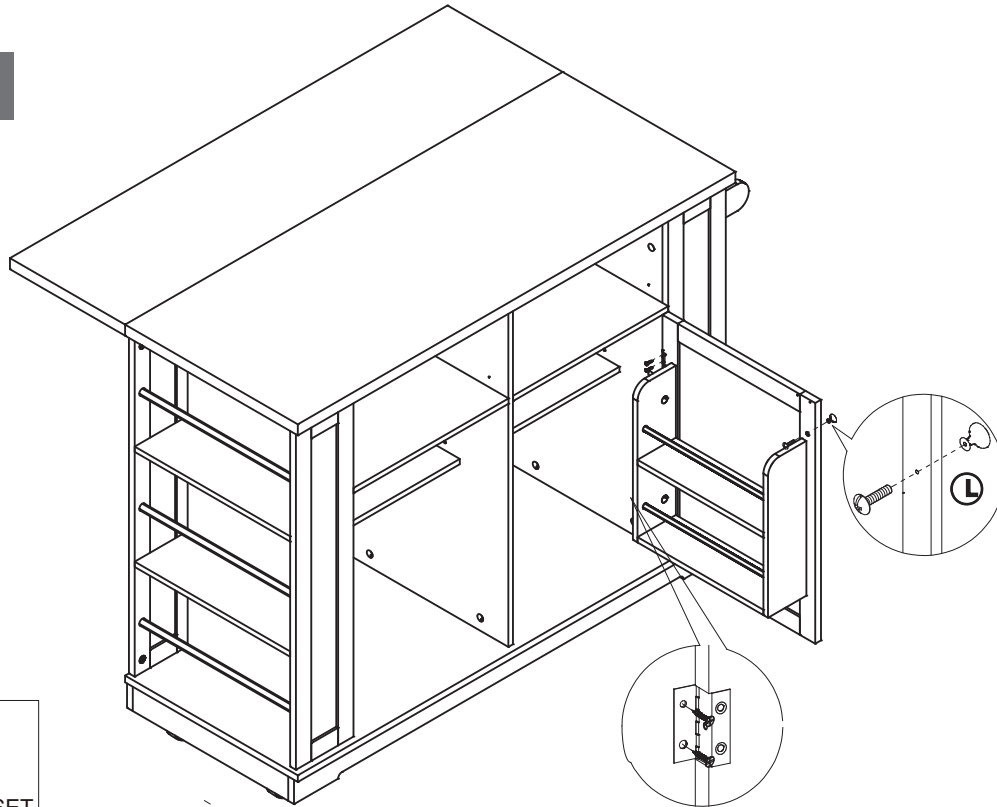


Step 24

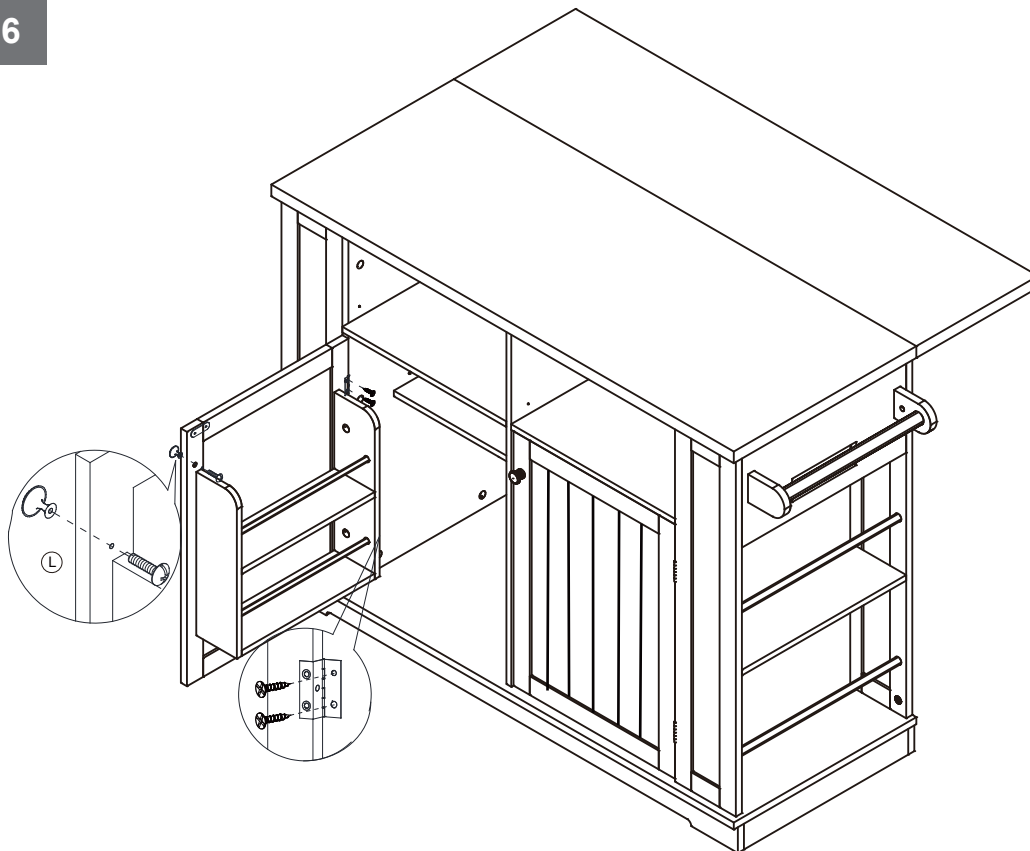


Assembly Instructions

Step 25



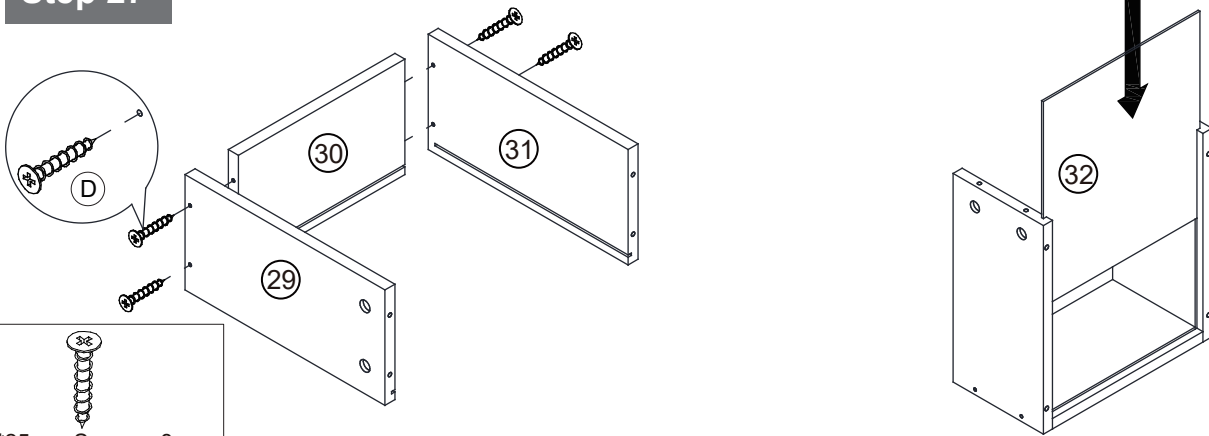
Step 26



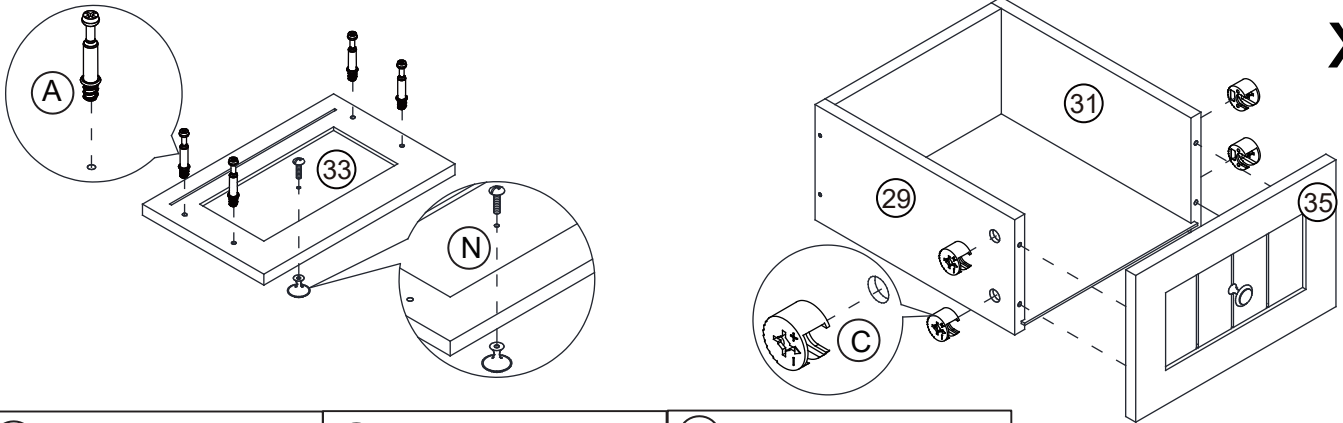
Assembly Instructions

Step 27

x2



D
4*25mm Screw x 8



x2

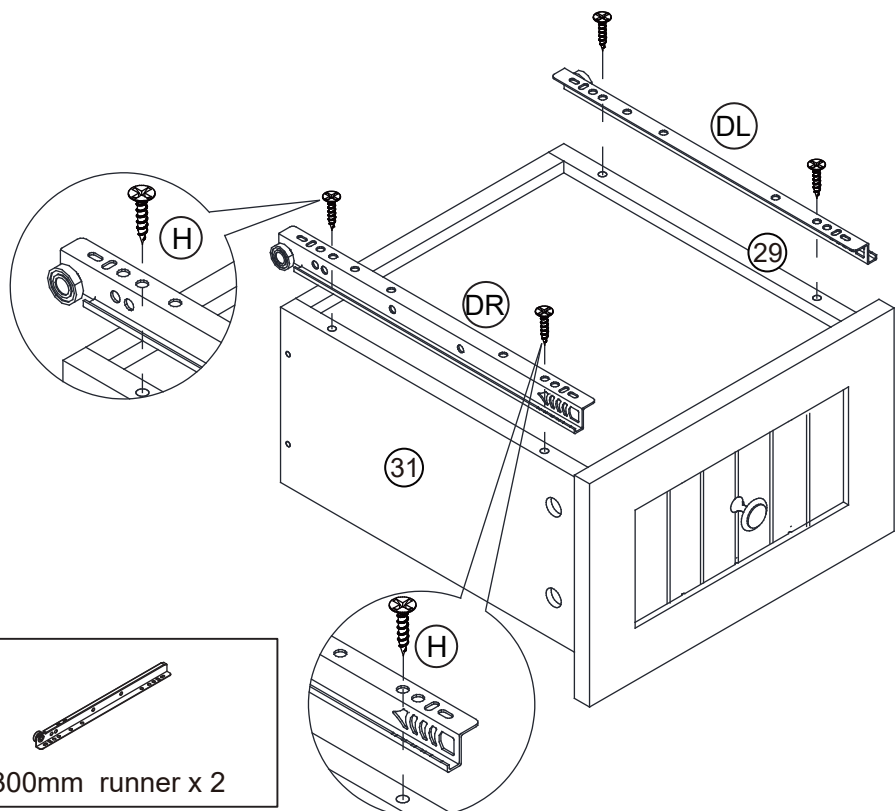
A
Cam Bolt x 8

N
4*12mm Handle x 2SET

C
Cam lock x 8

Step 28

x2



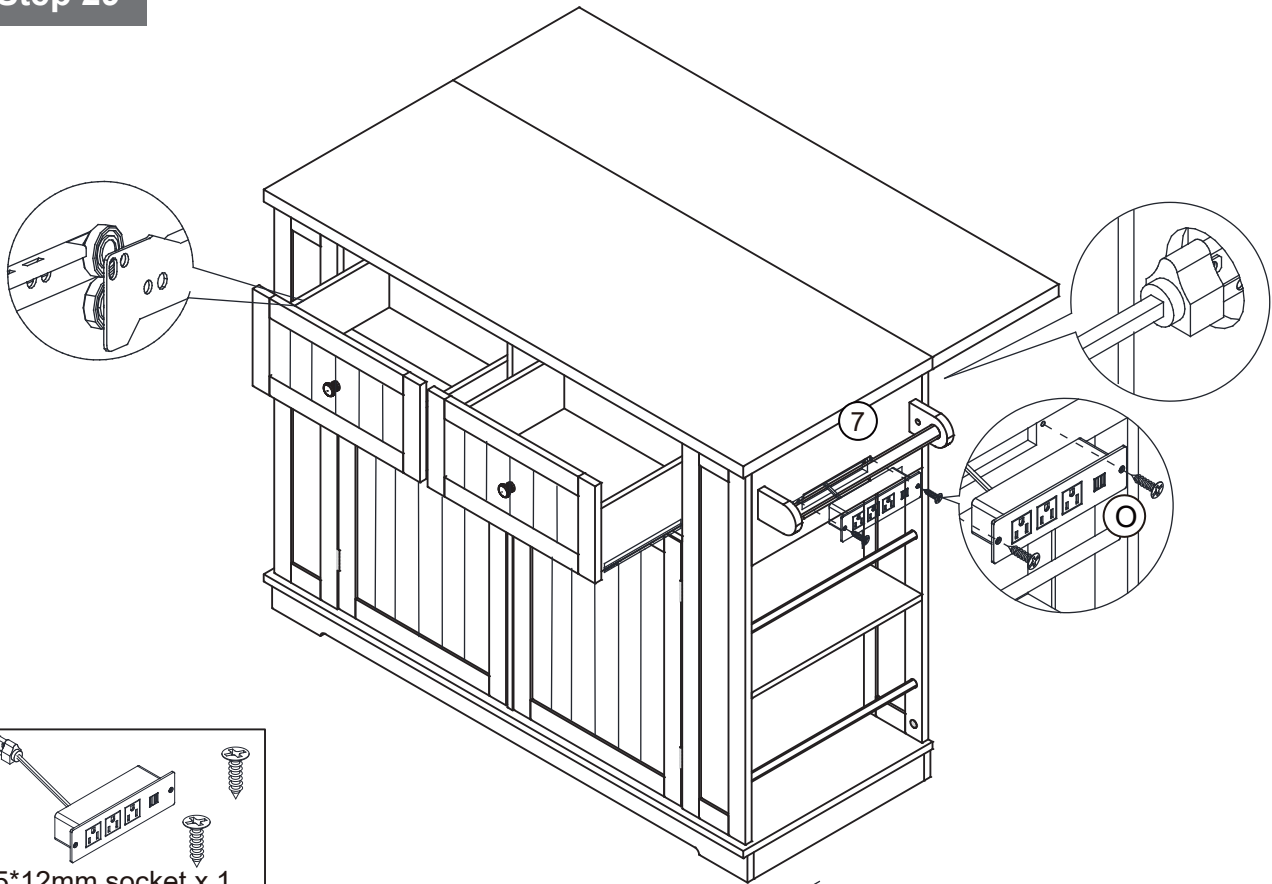
H
3.5*12mm Screw x 8

DL
300mm runner x 2

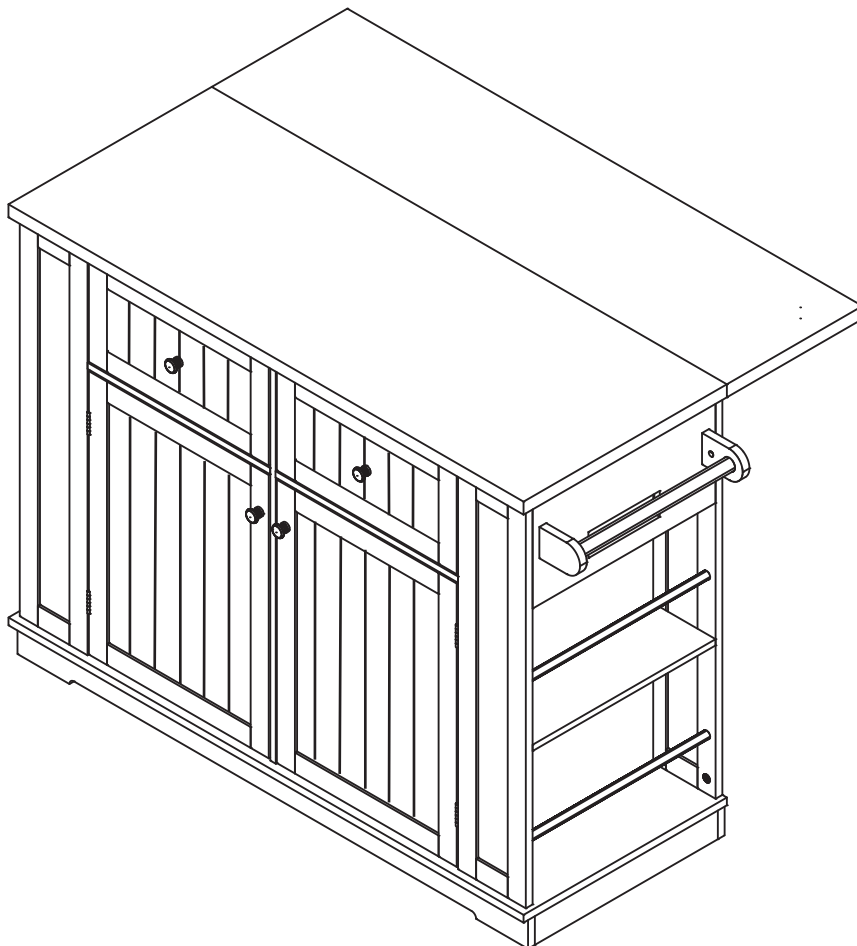
DR
300mm runner x 2

Assembly Instructions

Step 29

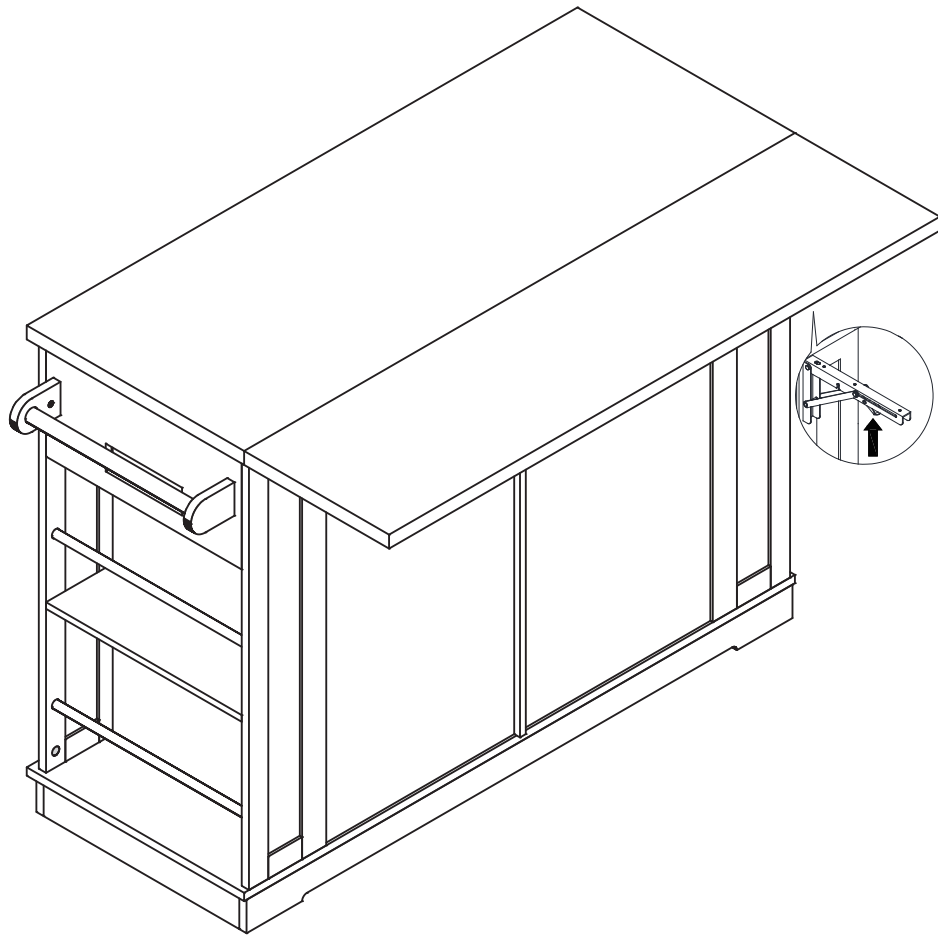


Step 30



Assembly Instructions

Step 31



Step 32

