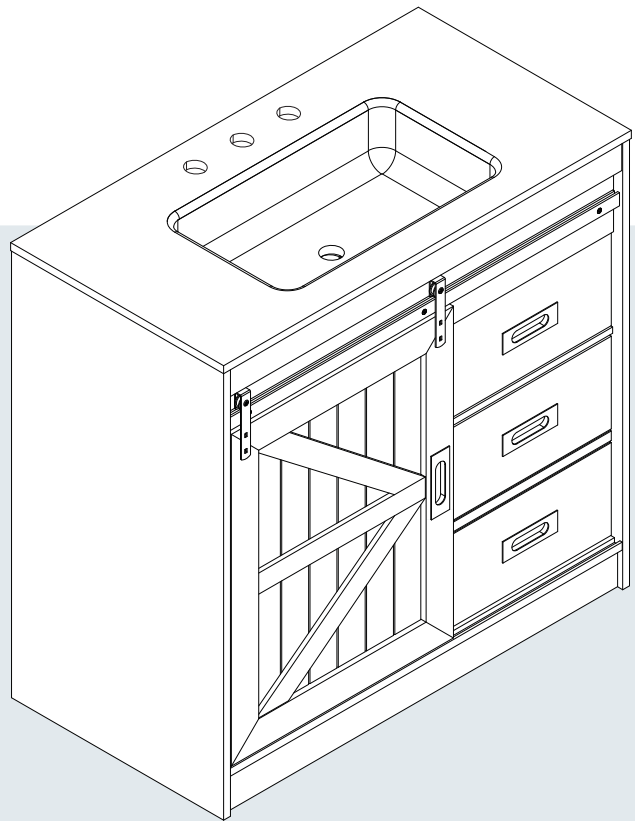


Cabinet

Assembly Instruction - Please keep properly for future reference.

If you find any missing boxes, damaged parts, or accessory shortages, please contact the customer service team of your purchasing channel immediately. We will resolve the issue as quickly as possible.



THE FOLLOWING INFORMATION:

- Order number
- Purchase platform
- Purchase date
- Detailed description of the issue along with photos (if applicable)

EN

Important - Please read these instructions carefully before starting the installation.

Before Assembly



Thank you for choosing our product!

To ensure a smooth installation process, please read this guide carefully to familiarize yourself with the required tools, materials, and installation steps.

Follow the relevant sections to avoid any damage caused by improper installation, and make sure to review all operation and safety guidelines for correct installation procedures.

Packaging Notice:

If you find any missing boxes, damaged parts, or accessory shortages, please contact the customer service team of your purchasing channel immediately. We will resolve the issue as quickly as possible.

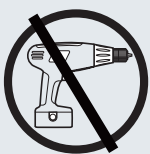
Safety and Care Advice



Important :

Please read these instructions fully before starting assembly.

- Check you have all the components and tools listed on the following pages.
- Remove all fittings from the plastic bags and separate them into their groups.
- Keep children and animals away from the work area, small parts could choke if swallowed.
- Make sure you have enough space to layout the parts before starting.
- During assembly do not stand or put weight on the product, this could cause damage.
- Assemble the item as close to its final position (in the same room) as possible.
- Assemble on a soft level surface to avoid damaging the unit or your floor .
- Parts of the assembly will be easier with 2 people.



- To reduce the likelihood of damaging your product please ensure that your power drill is set on a low torque setting.

Care and Maintenance

- Only clean using a damp cloth and mild detergent, do not use bleach or abrasive cleaners.
- From time to time check that there are no loose screws on this unit.
- This product should not be discarded with household waste. Take to your local authority waste disposal center.

Handy Hints

- Assemble all parts and bolts loosely during assembly, only once the product is complete should you fully tighten the bolts.
- Regularly check and ensure that all bolts and fittings are tightened properly.

Warning

In order to help prevent overturning, please follow these instructions.

- Use the anti tip strap or wall fixing method provided (if applicable).
- Do not allow children to climb or hang on the furniture.
- Do not open more than one drawer at a time.
- Do not place heavy items in the top drawers.
- Do not place heavy items on top of the furniture, unless the furniture has been designed for this purpose.
- Please note that only the anti tip strap is provided. You will need to provide wall plugs and screws applicable for your wall type.

Customer Service Guide



Thank you for choosing our product! We are committed to providing you with excellent service. If you find any missing parts, damaged packaging, or product damage after receiving all packages, please follow the steps below to quickly contact our customer service team. We will do our best to resolve your issue.

1. Missing Parts

Verify Parts:

1. Refer to the “Parts List” in the manual to verify the name, specifications, and quantity of the missing parts.
2. Take a clear photo of the parts list and mark the missing parts with detailed information, e.g., “Missing 5 pieces of M6×30mm screws.”

Contact Us:

By Email:

Send an email with the subject line “Missing Parts Issue.” Include the following in the email:

- A description of the missing parts and a photo of the parts list.
- Order details (order number, purchase platform, purchase date).

2. Product or Packaging Damage

If it affects normal use:

Steps:

1. Take clear photos or videos showing the damaged parts and the extent of the damage (multi-angle shots are recommended).
2. Email the photos/videos along with order details with the subject line “Product Damage Issue.”

Resolution:

After verification, we will arrange for a replacement part, product exchange, or refund as quickly as possible.

If it does not affect normal use:**Steps:**

1. Contact our customer service team.
2. Provide a description of the damage and include relevant photos or videos.

Resolution:

We will provide repair guidance or an appropriate compensation plan based on the specific situation.

Helpful Tips**To process your issue efficiently, please prepare the following information:**

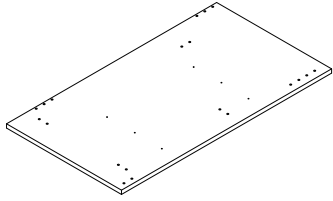
- Order details (order number, purchase platform, purchase date).
- Clear photos or videos.
- We are committed to providing quick and professional solutions, no matter the size of the issue, to ensure your satisfaction.

**Thank you for your trust and support!
We hope you enjoy using our product!**

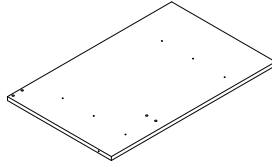
Parts List - Panels



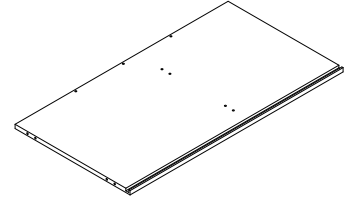
Please check you have all the panels listed below.



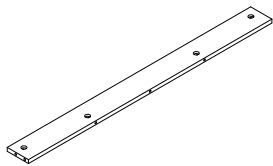
1 850*465*15mm x1



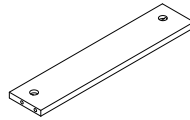
2 580*367*12mm x1



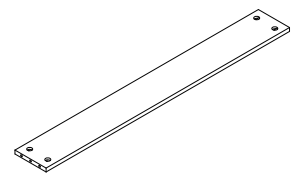
3 860*464*15mm x1



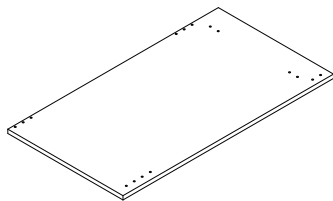
4 860*75*12mm x1



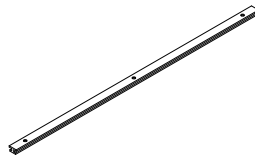
5 365*75*12mm x2



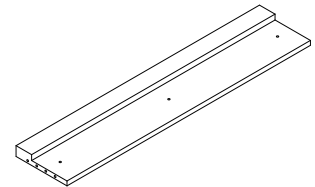
6 860*110*12mm x1



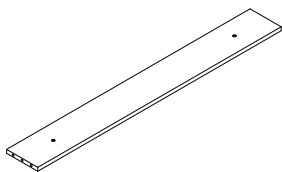
7 850*465*15mm x1



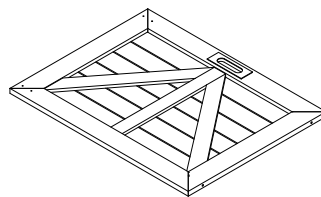
8 856*25*15mm x1



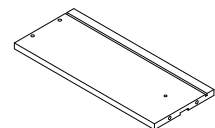
9 860*180*33mm x1



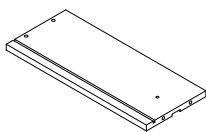
10 860*110*12mm x1



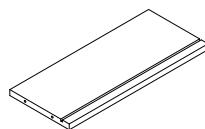
11 630*487*15mm x1



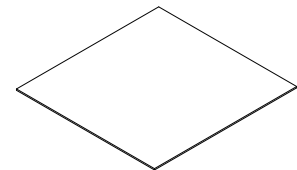
12 330*140*12mm x1



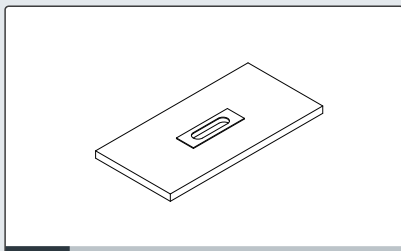
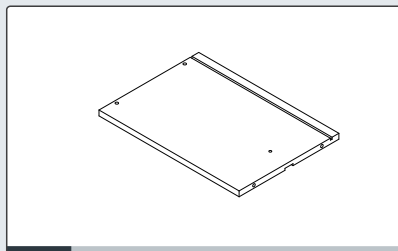
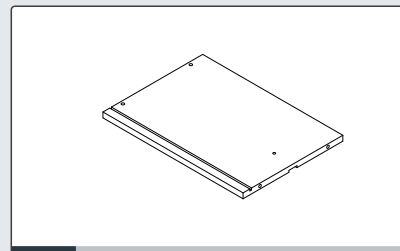
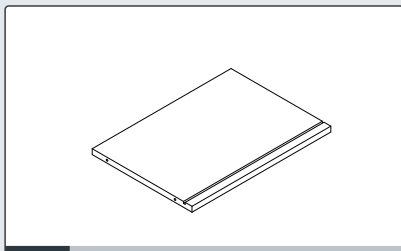
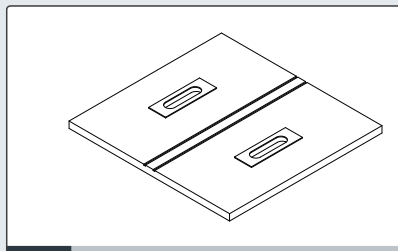
13 330*140*12mm x1



14 327*140*12mm x1



15 335*325*2.7mm x2

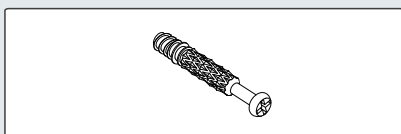
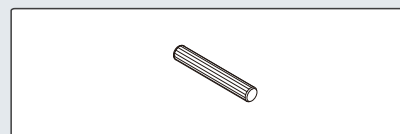
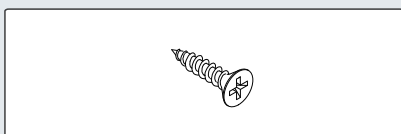
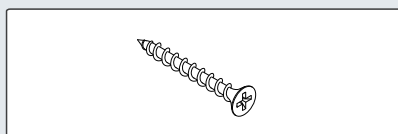
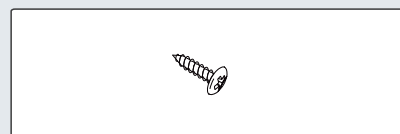
**16** 359*176*1.5mm x1**17** 330*235*12mm x1**18** 330*235*12mm x1**19** 327*235*12mm x1**20** 378*359*15mm x1

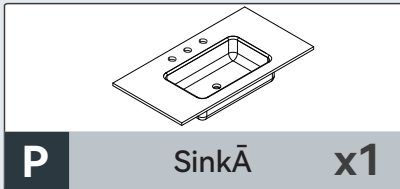
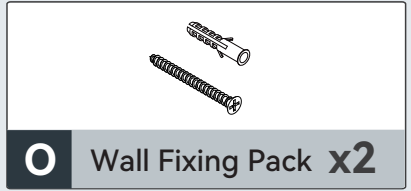
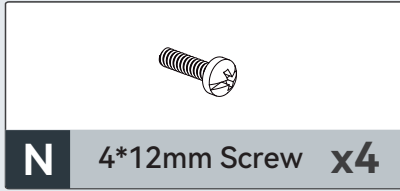
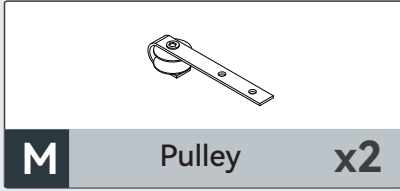
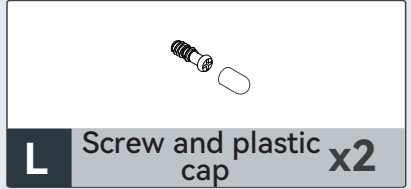
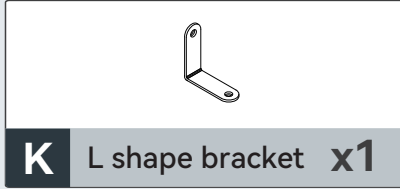
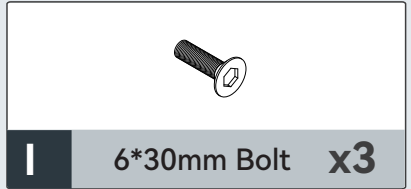
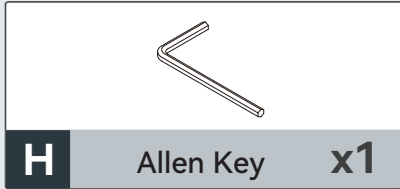
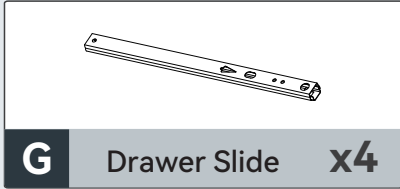
Parts List - Fittings



Please check you have all the fittings listed below.

Note: The quantities below are the correct amount to complete the assembly. In some cases more fittings may be supplied than required.

**A** Ø7x37mm x32**B** Ø15x9.6mm x32**C** Ø6x30mm x22**D** Ø3.5x12mm x14**E** Ø5x40mm x12**F** Ø4x14mm x4



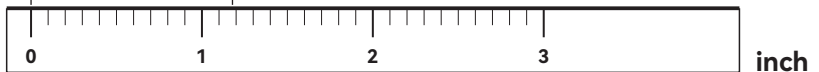
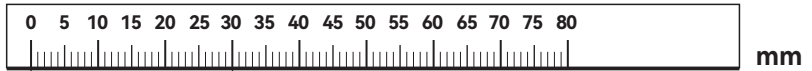
Tools required



Phillips screwdriver
(medium & large)

Ruler

Use this ruler to help correctly identify the screws



The screws length is measured from the head to the point (30mm screw shown).

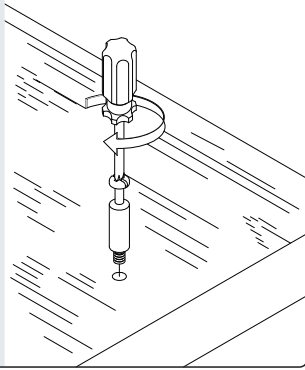
Using Camlocks



Step 1

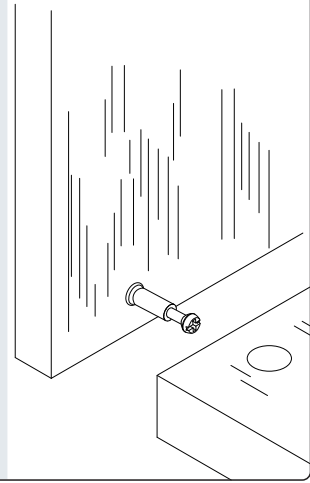
Connect the male camlock as directed in the assembly instructions using a screwdriver.

DO NOT OVER TIGHTEN.



Step 2

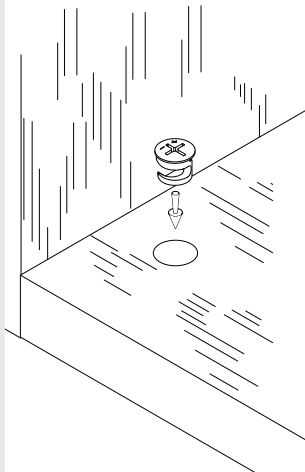
Push the male camlock into the entry hole.



Step 3

Insert the female camlock as shown in the instructions.

Note: ensure that the arrow on the top of the camlock points towards the entry hole for the male camlock.

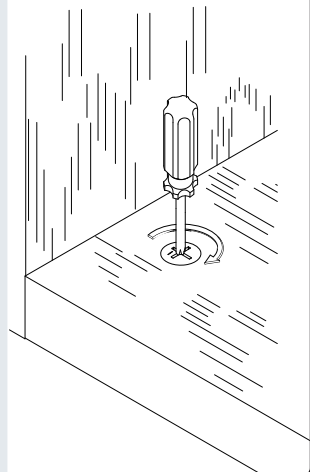


Step 4

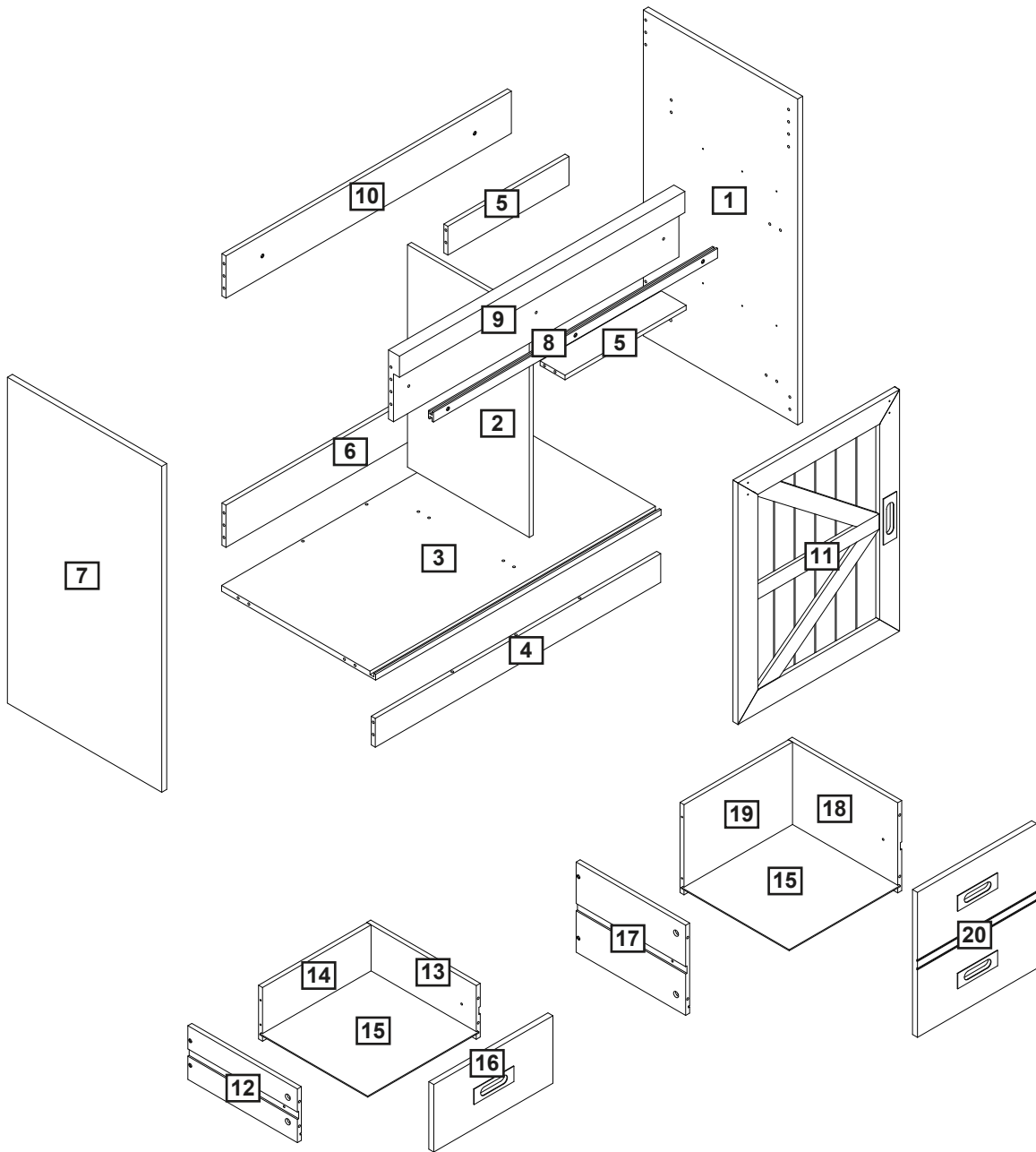
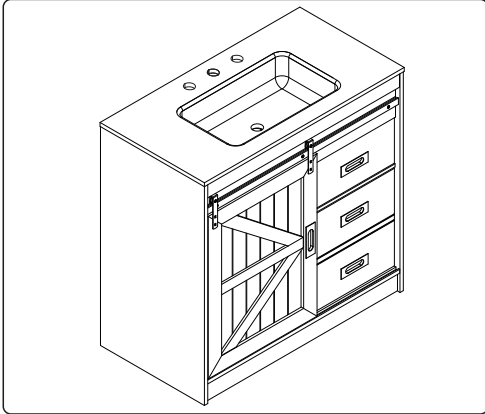
Turn the female camlock clockwise with a screwdriver.

You should feel a click when the camlock is locked in place.

The joint is now secure.

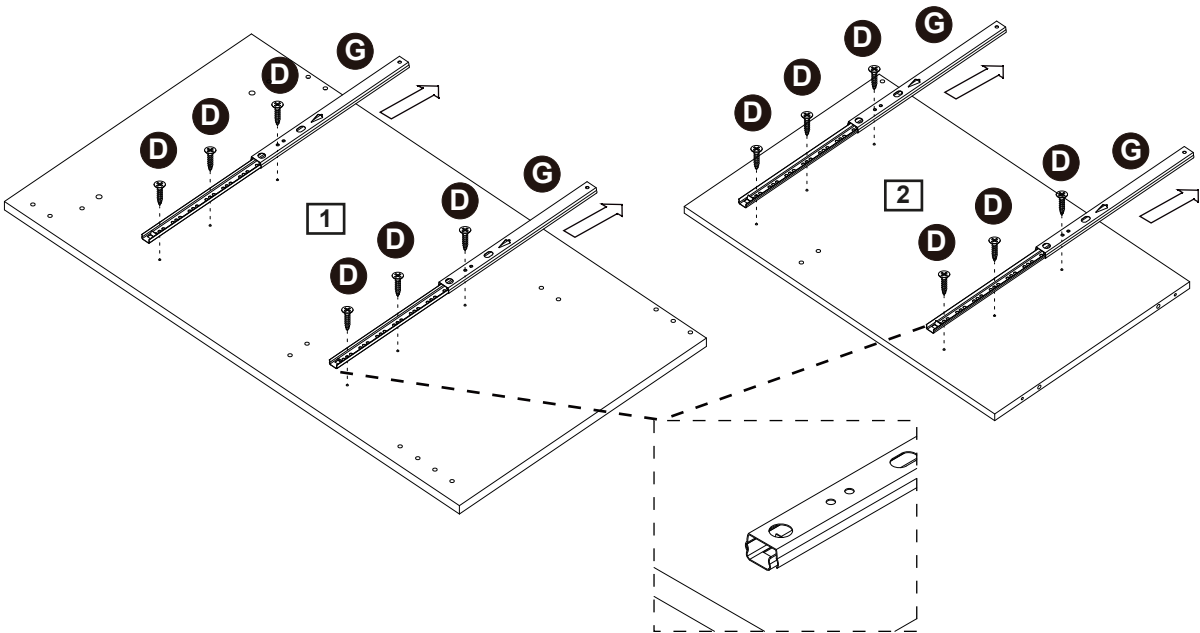



Assembly Instructions



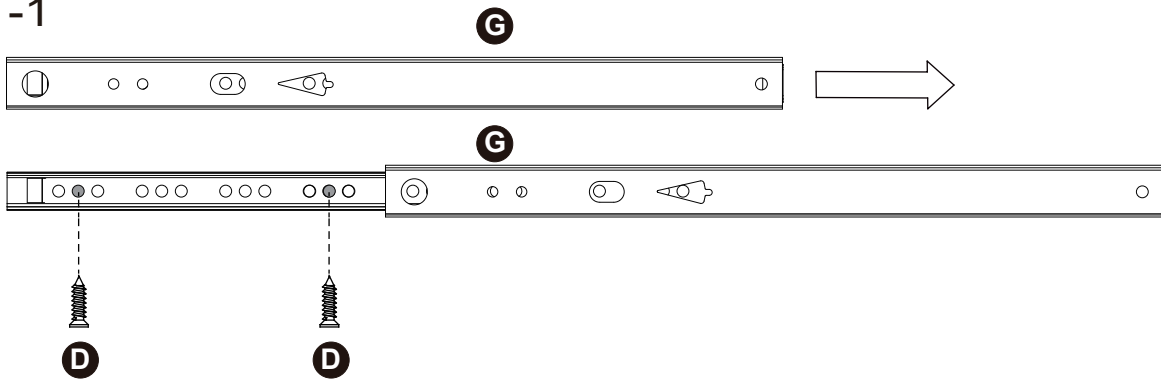
Step 1

- D**  Ø3.5x12mm x12
- G**  Drawer Slide x4

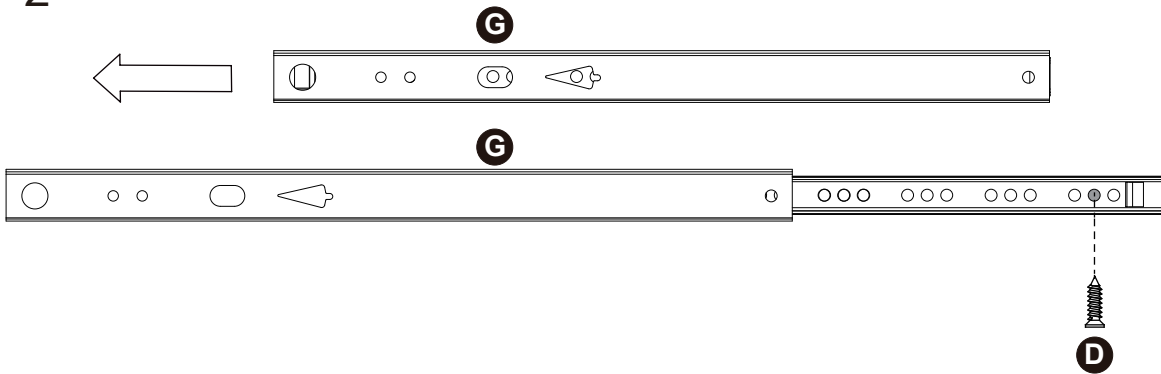


 Note: Please pay attention to the direction of the drawer slides.

1-1





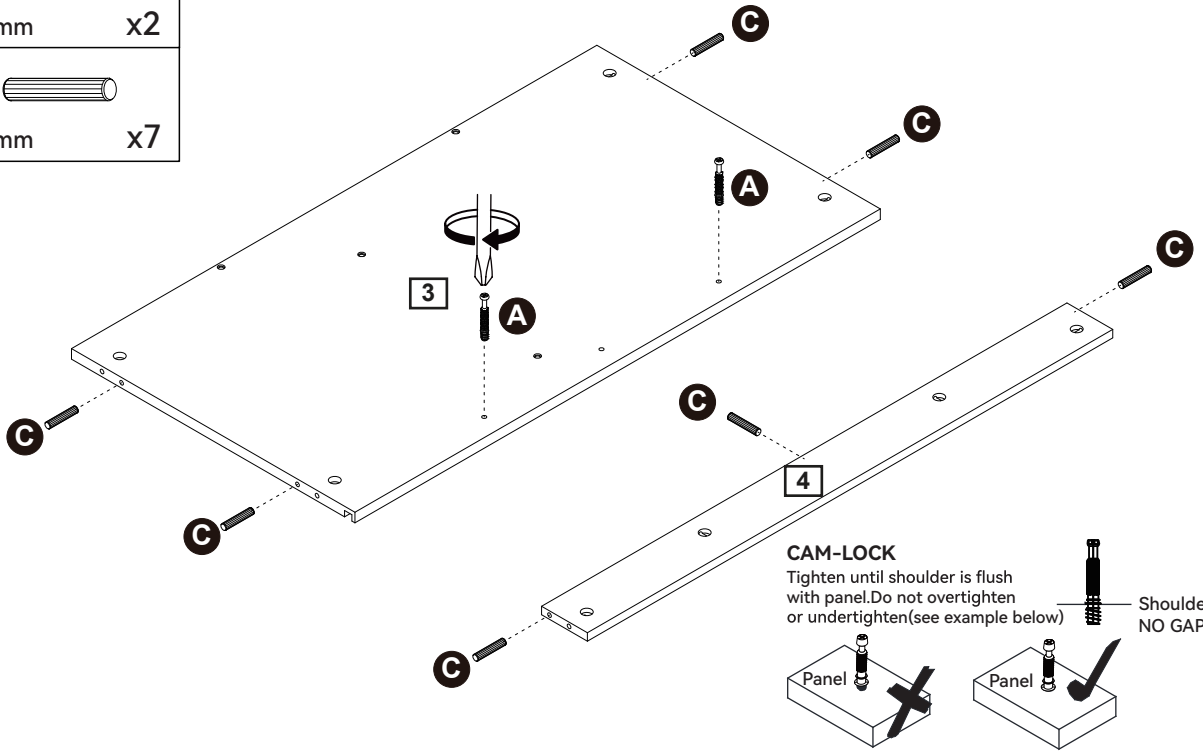
1-2



Attach drawer slide (G) to part (1, 2) using screw (D) and a screwdriver.

Step 2

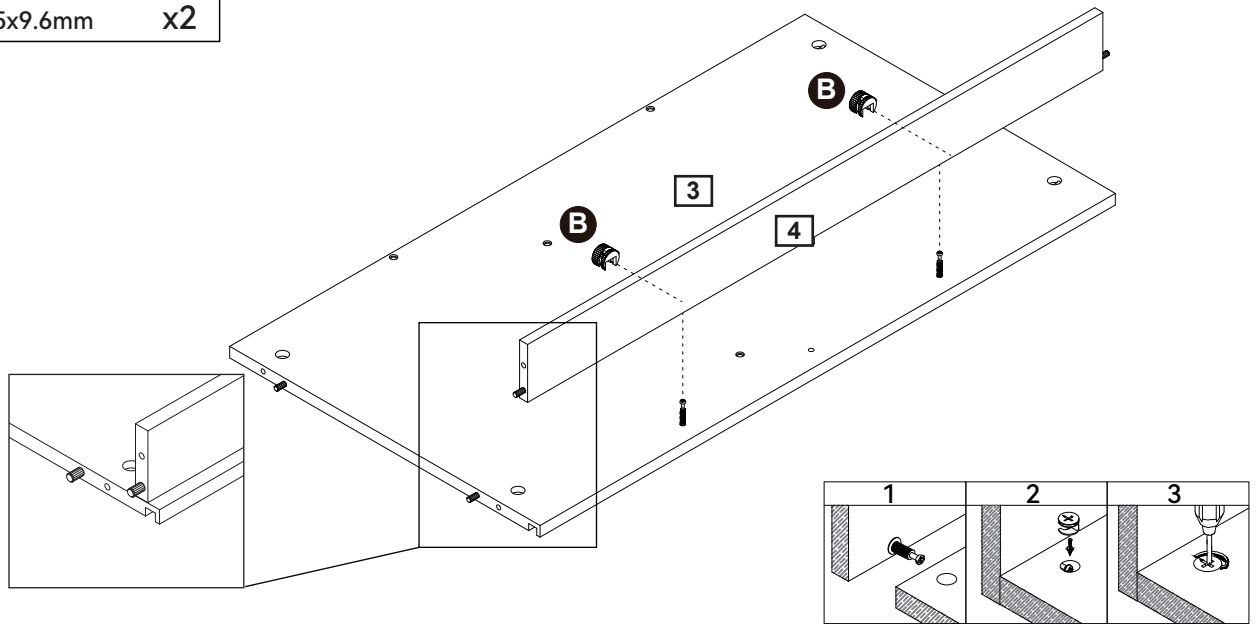
- A**  $\text{\O}7 \times 37\text{mm}$ x2
- C**  $\text{\O}6 \times 30\text{mm}$ x7



Attach cam bolt (A) to part (3) with a screwdriver.
Insert wooden dowel (C) into part (3, 4).



Step 3

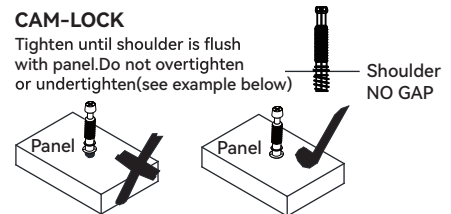
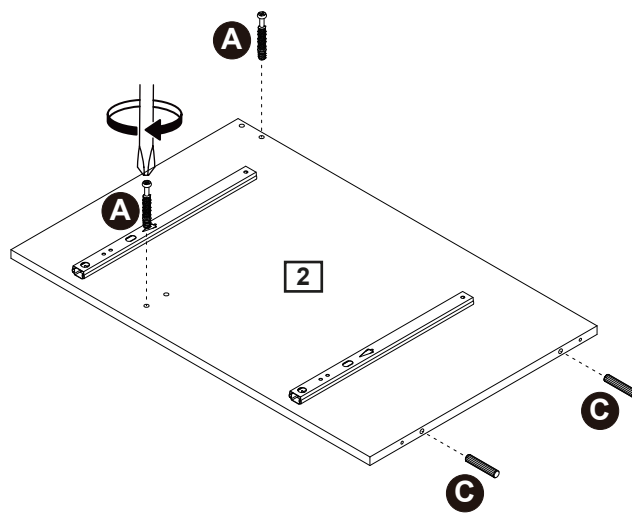
- B**  $\text{\O}15 \times 9.6\text{mm}$ x2



Attach part (4) to part (3), then insert and secure cam lock (B) to part (4) to lock it.


Step 4

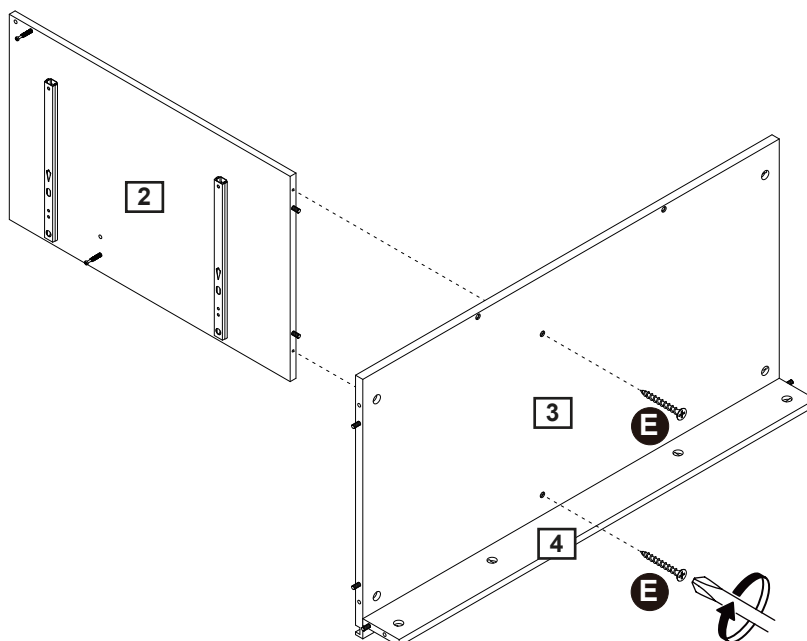
- A**  $\varnothing 7 \times 37 \text{mm}$ x2
- C**  $\varnothing 6 \times 30 \text{mm}$ x2



Attach cam bolt (A) to part (2) with a screwdriver.
Insert wooden dowel (C) into part (2).


Step 5

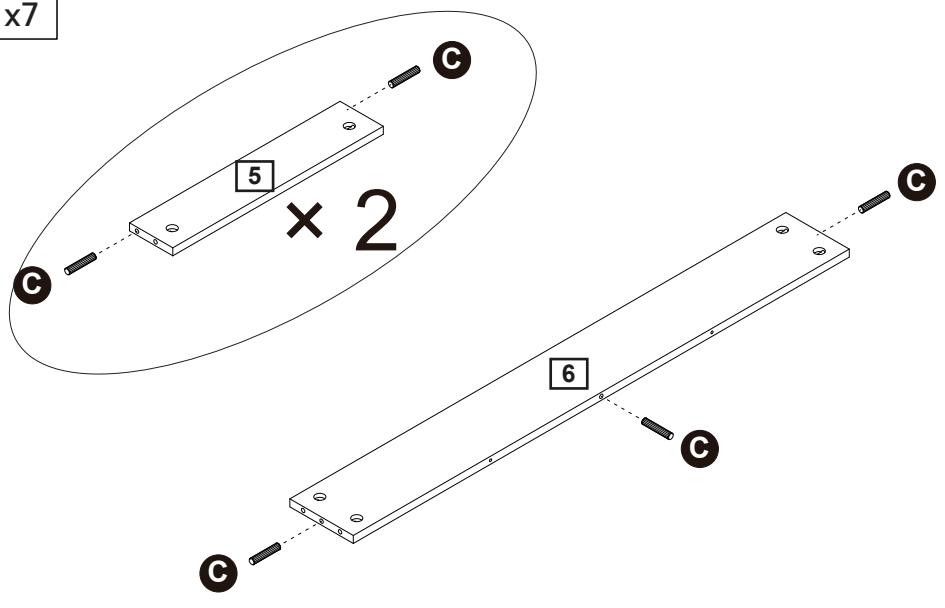
- E**  $\varnothing 5 \times 40 \text{mm}$ x2



Attach part (3) to part (2) using screw (E) and a screwdriver.


Step 6

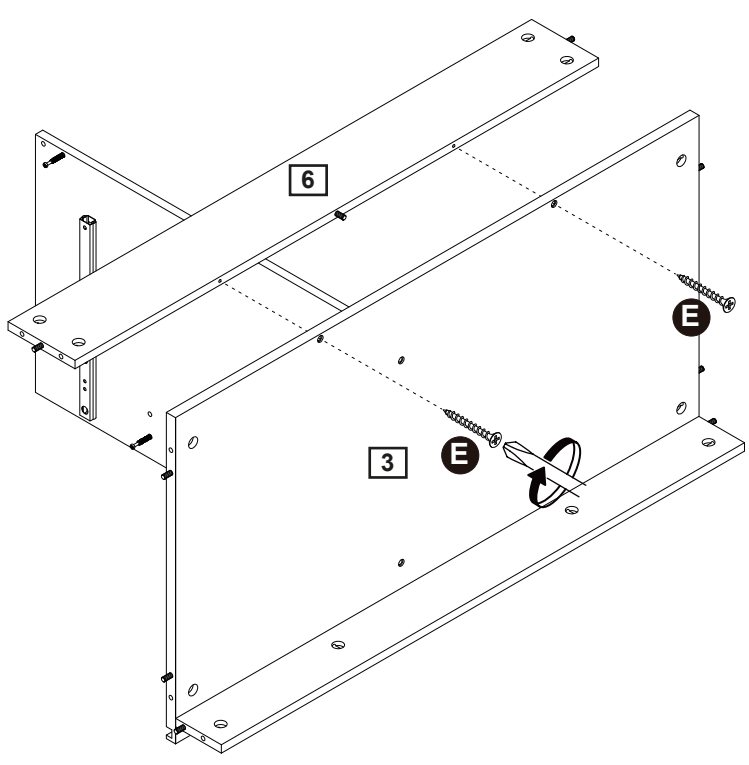
C 
 Ø6x30mm x7



Insert wooden dowel (C) into part (5, 6).


Step 7

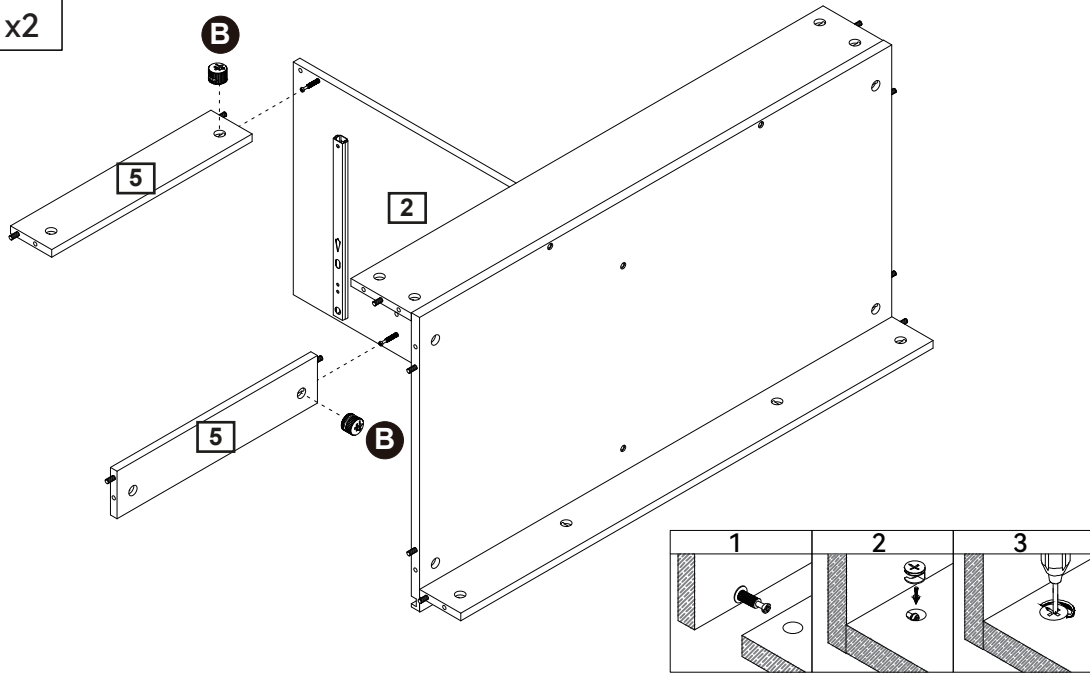
E 
 Ø5x40mm x2



Attach part (6) to part (3) using screw (E) and a screwdriver.


Step 8

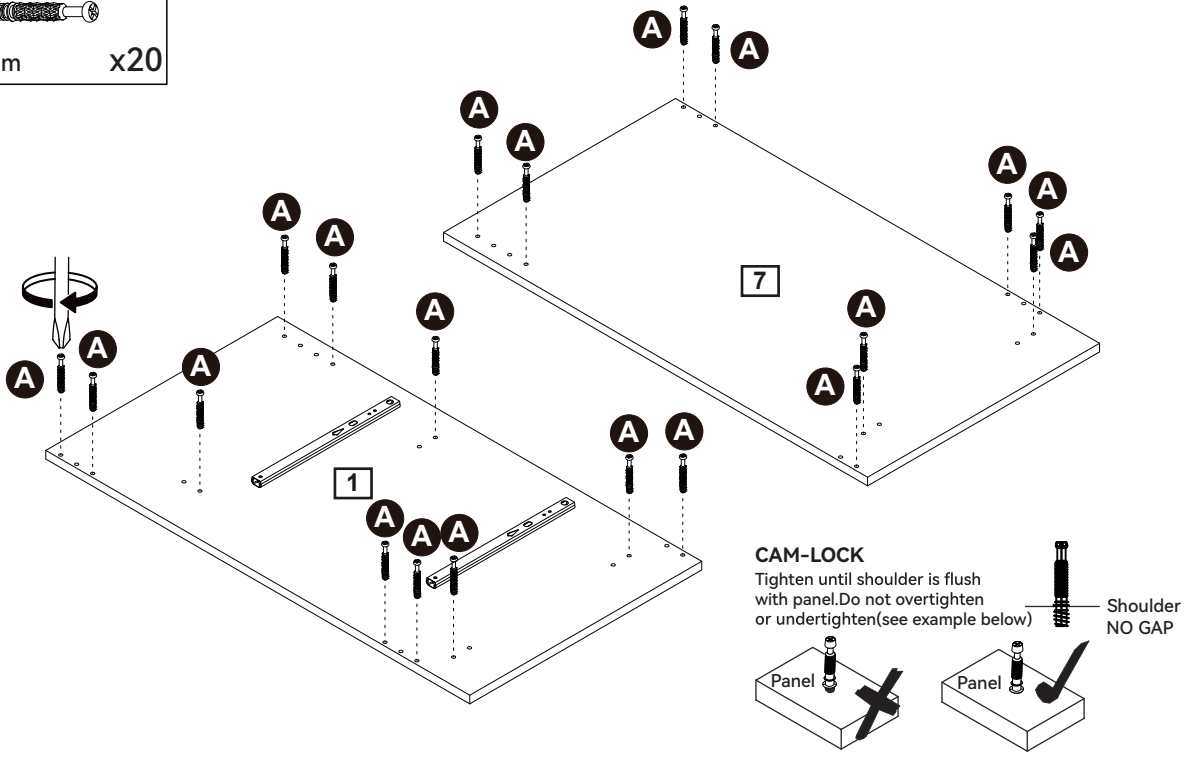
B 
 Ø15x9.6mm x2



Attach part (5) to part (2), then insert and secure cam lock (B) to part (5) to lock it.

Step 9

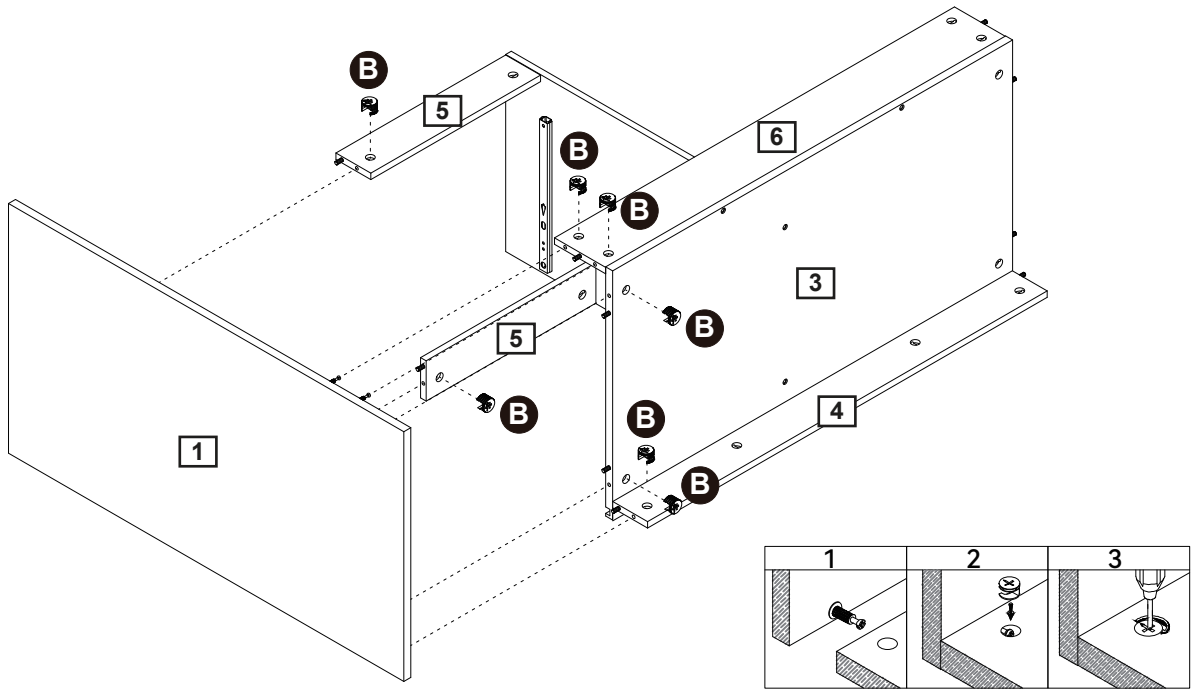
A 
 Ø7x37mm x20



Attach cam bolt (A) to part (1, 7) with a screwdriver.

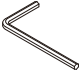
Step 10


B 
 Ø15x9.6mm x7

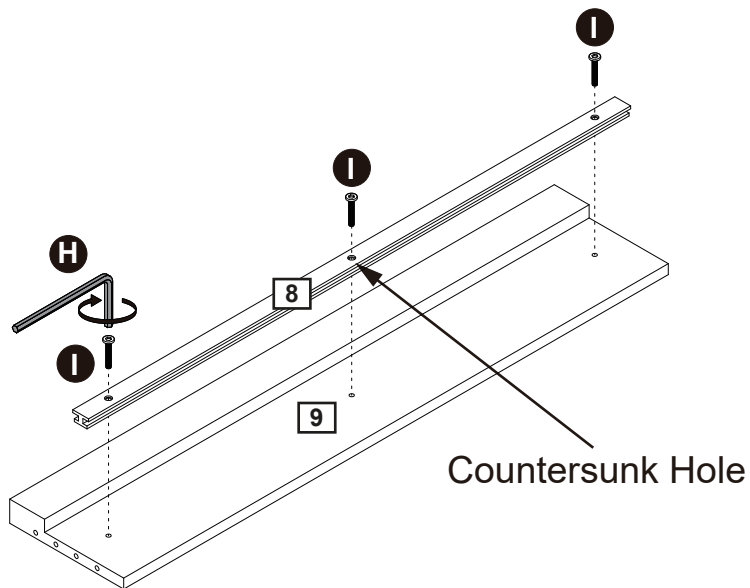


Attach part (1) to part (3, 4, 5, 6), then insert and secure cam lock (B) to part (3, 4, 5, 6) to lock it.

Step 11


H 
 Allen Key x1

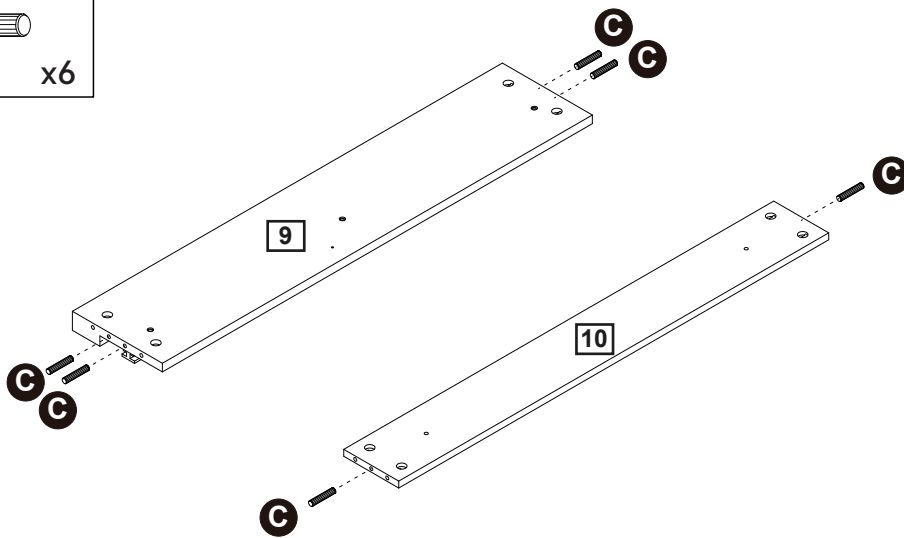
I 
 6*30mm Bolt x3



Attach part (8) to part (9) using bolt (I) and allen key.

Step 12

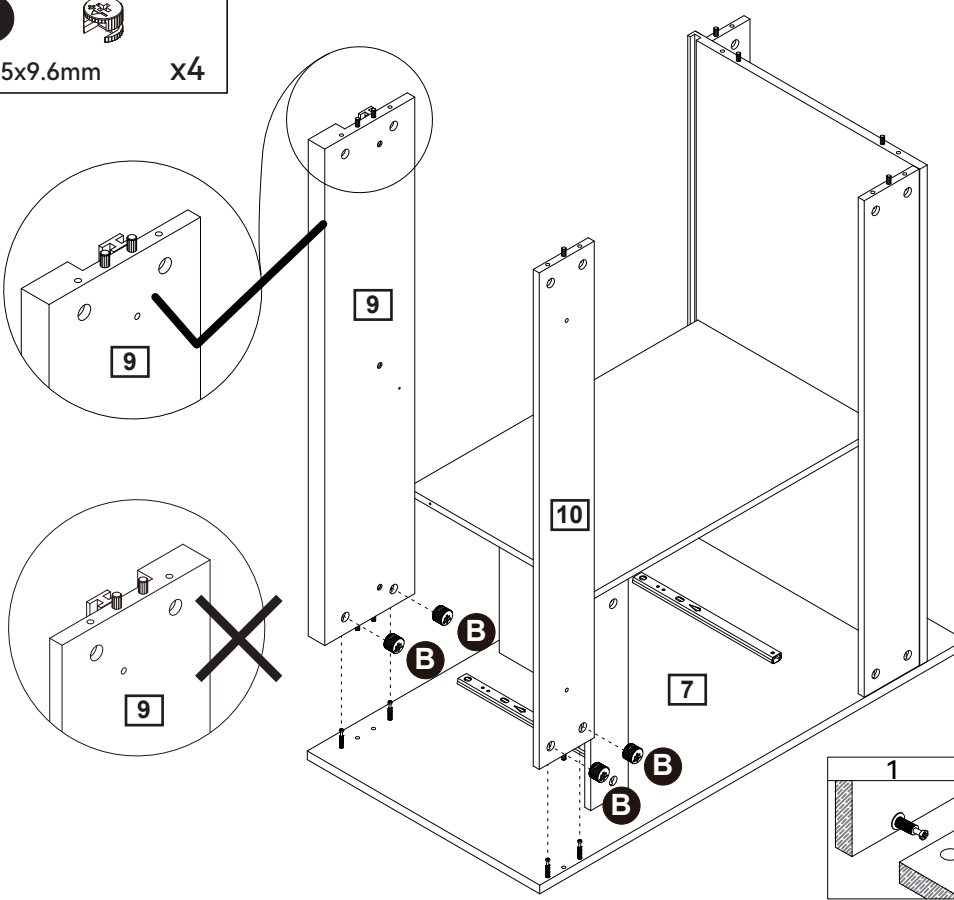
C  $\varnothing 6 \times 30 \text{mm}$ x6



Insert wooden dowel (C) into part (9, 10).


Step 13

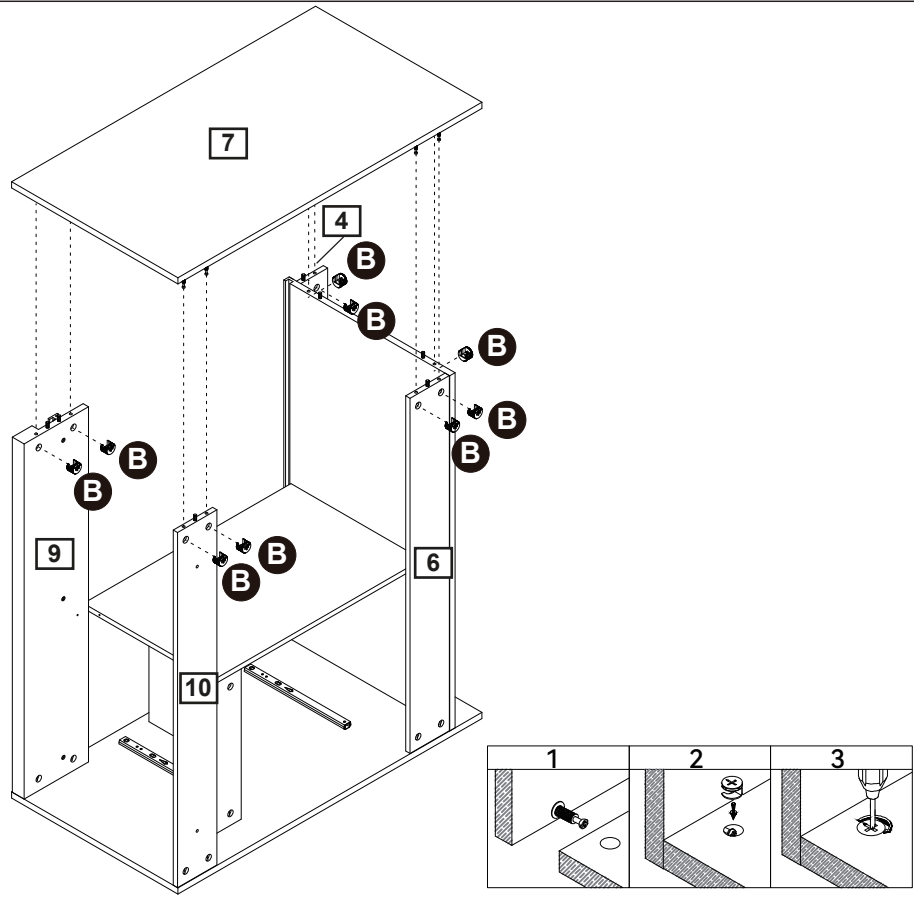
B  $\varnothing 15 \times 9.6 \text{mm}$ x4



Attach part (9, 10) to part (7), then insert and secure cam lock (B) to part (9, 10) to lock it.

Step 14

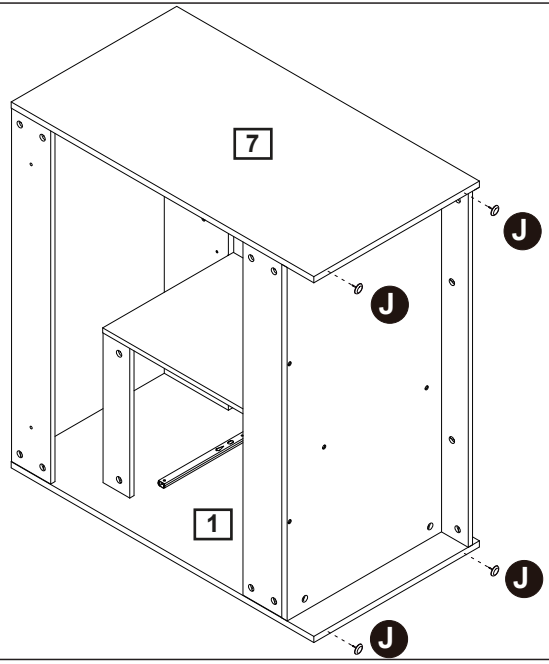
B 
 Ø15x9.6mm x9



Attach part (7) to part (4, 6, 9, 10), then insert and secure cam lock (B) to part (4, 6, 9, 10) to lock it.


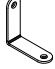
Step 15

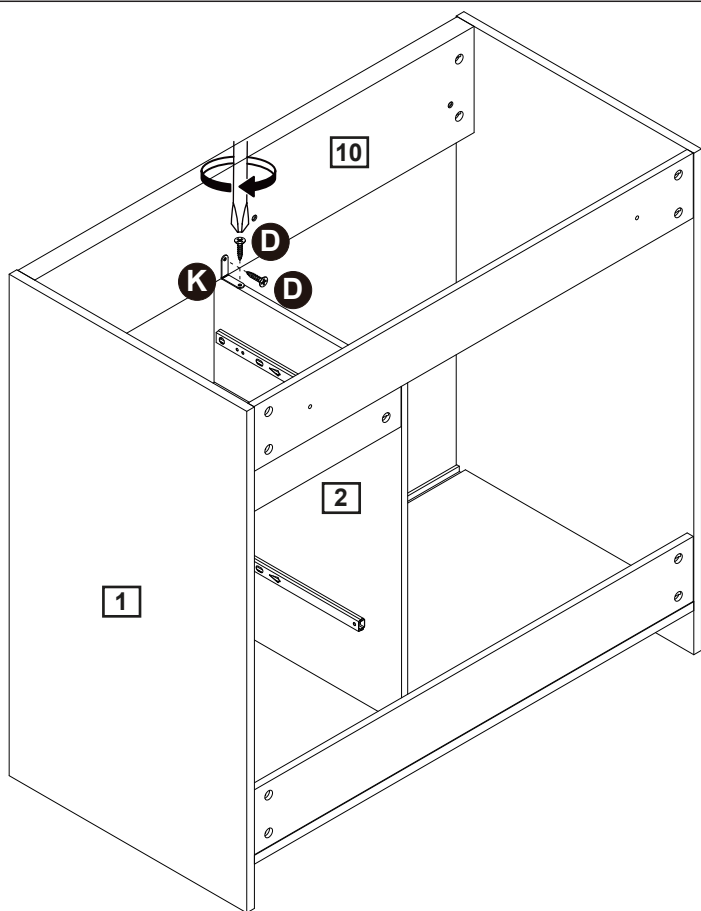
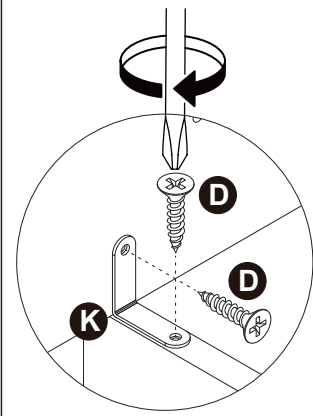
J 
 Protective Foot x4



Insert protective foot (J) to part (1, 7).

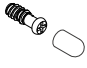
Step 16

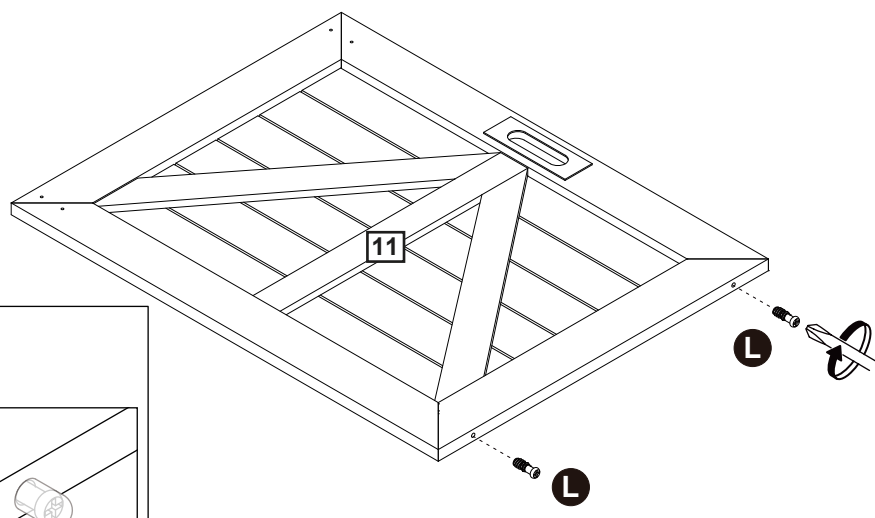
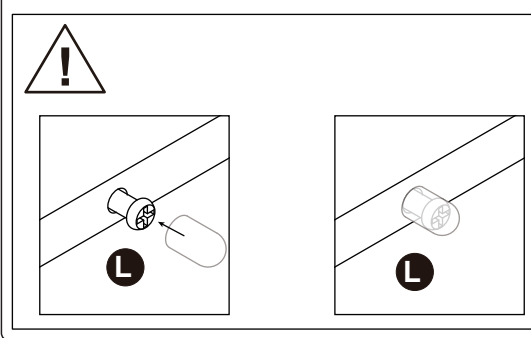
- D**  Ø3.5x12mm x2
- K**  L shape bracket x1



Use L shape bracket (K) and screw(D) to attach part (10) to part (2).

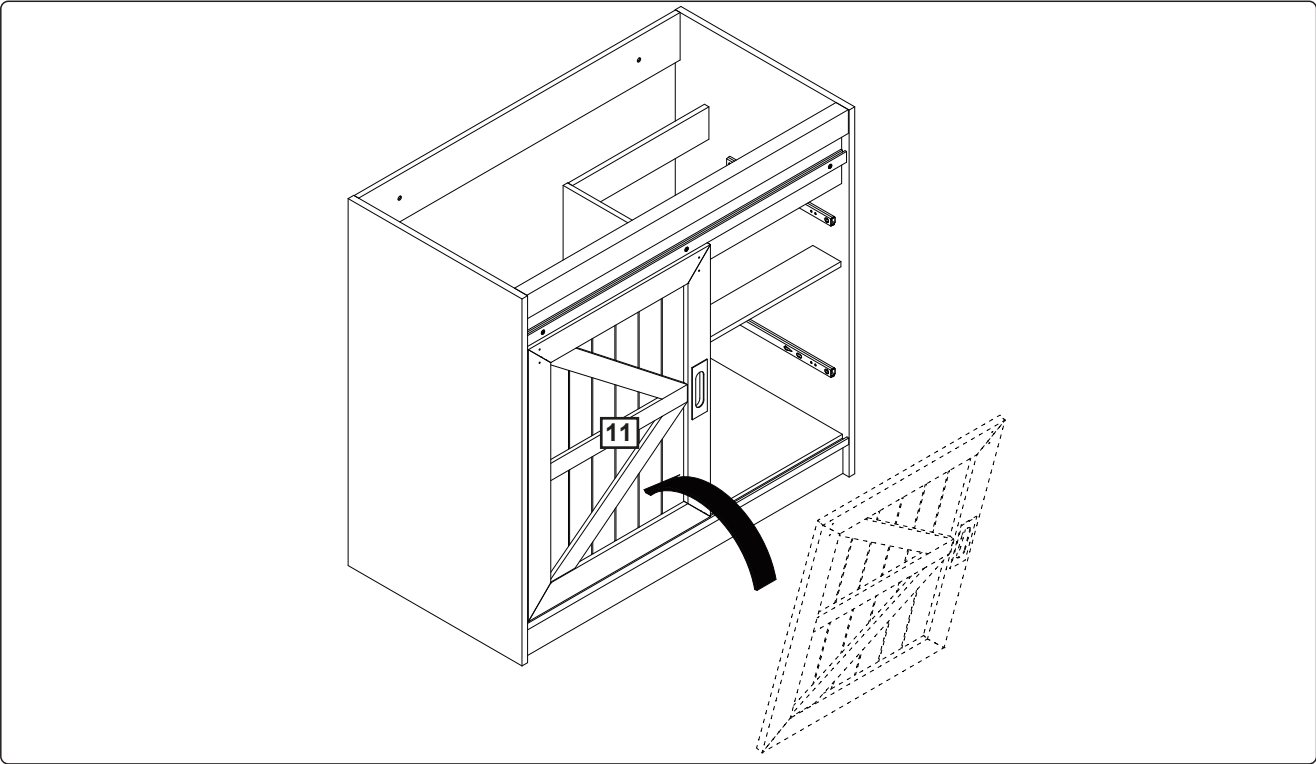
Step 17

- L**  Screw and plastic cap x2




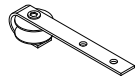
Attach screw and plastic cap (L) to door (11) with a screwdriver.

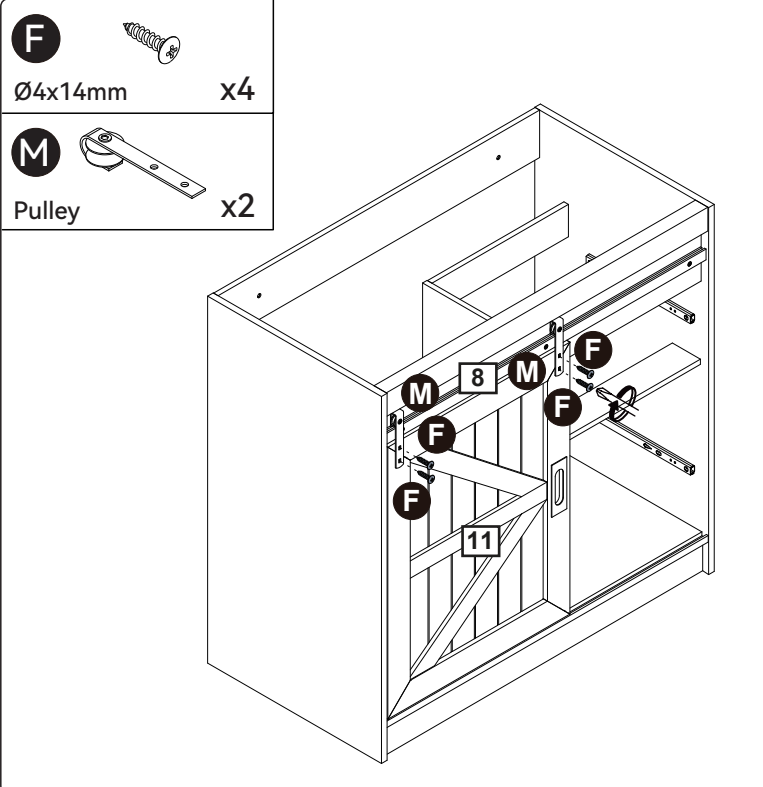
Step 18




Place door (11) on the track.

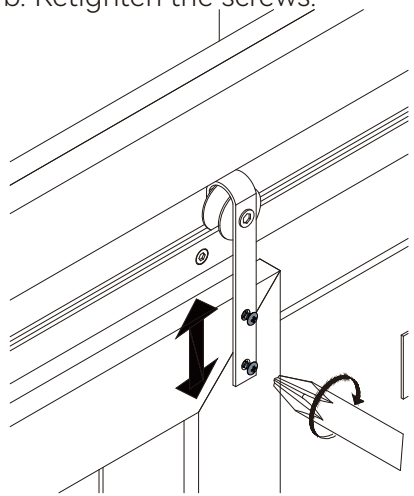
Step 19

- F**  $\text{\O}4 \times 14 \text{mm}$ x4
- M**  Pulley x2



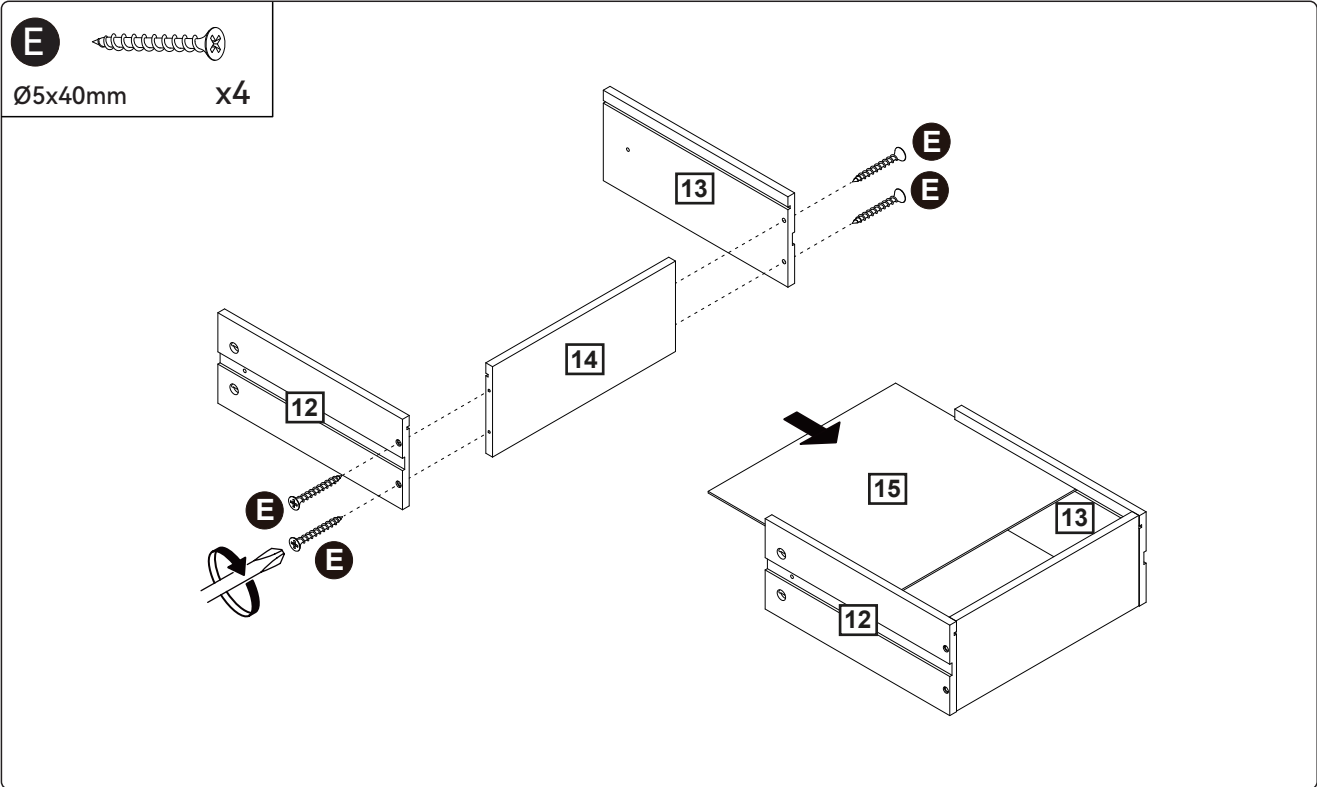
 Door adjustment:

- a. To adjust the door, loosen the screws and move the door as needed.
- b. Retighten the screws.



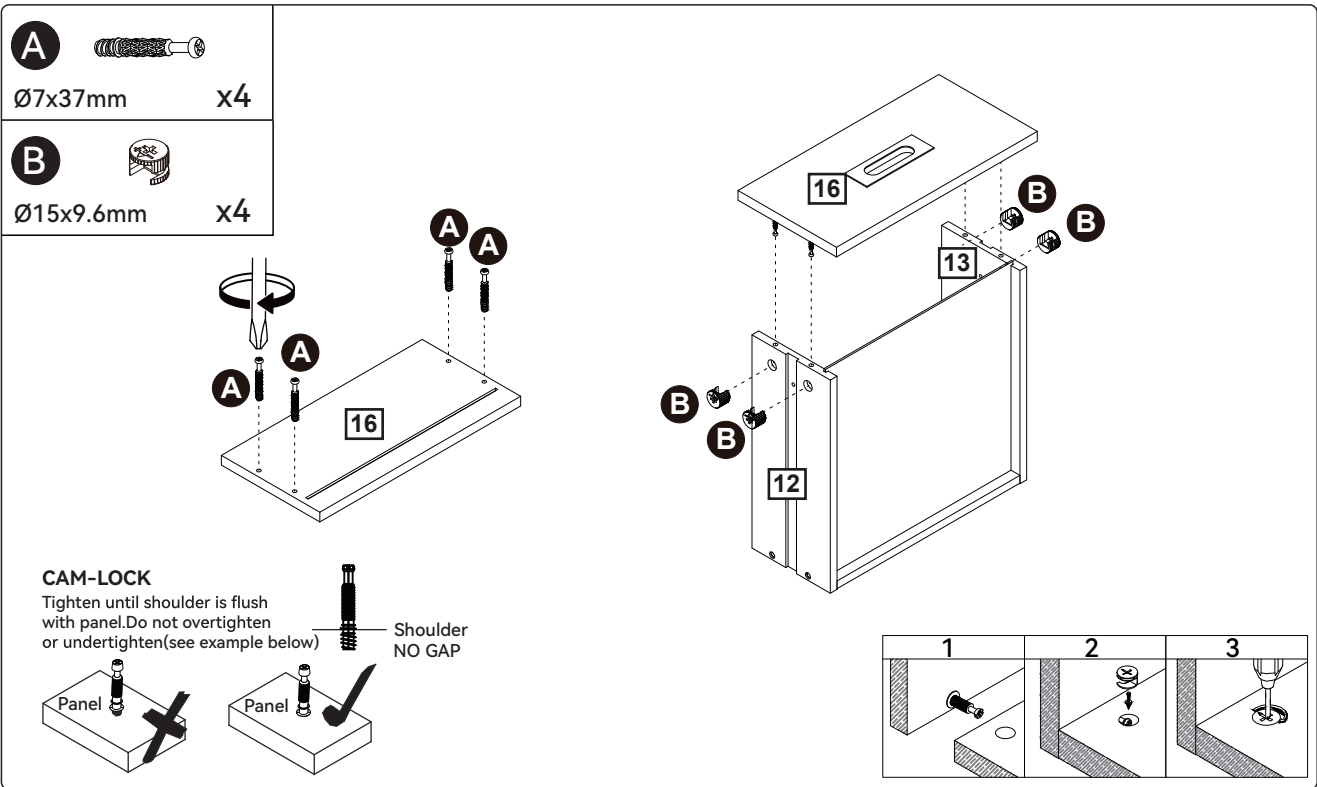
Place pulley (M) on the bar, and then attach pulley (M) to door (11) using screw (F) and a screwdriver.

Step 20



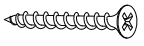
Attach part (12, 13) to part (14) using screw (E) with a screwdriver.
Slide part (15) into grooves.

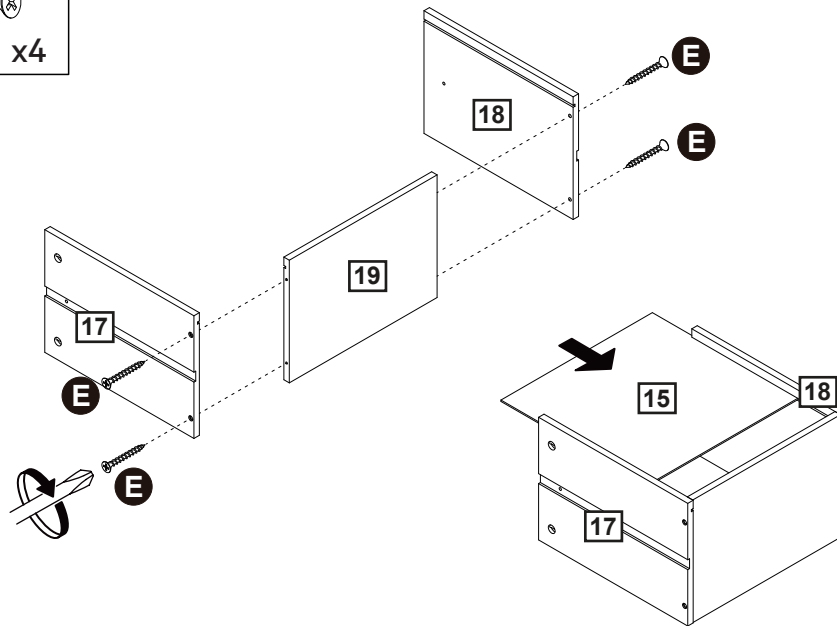
Step 21



Attach cam bolt (A) to part (16) with a screwdriver.
Attach part (16) to part (12, 13), then insert and secure cam lock (B) to part (12, 13) to lock it.

Step 22

E  $\varnothing 5 \times 40 \text{mm}$ x4

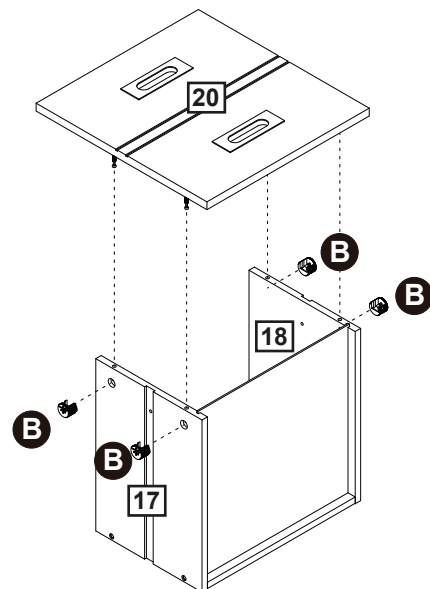
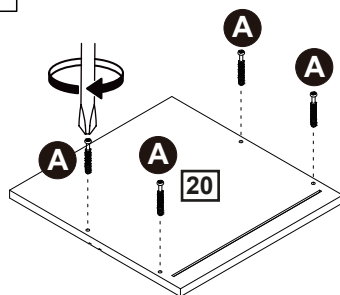


Attach part (17, 18) to part (19) using screw (E) with a screwdriver.
Slide part (15) into grooves.

Step 23

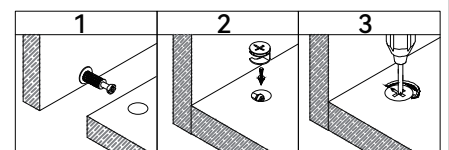
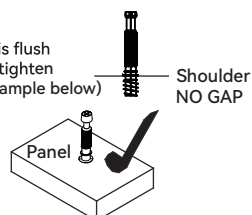
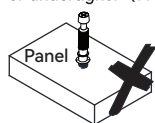
A  $\varnothing 7 \times 37 \text{mm}$ x4

B  $\varnothing 15 \times 9.6 \text{mm}$ x4



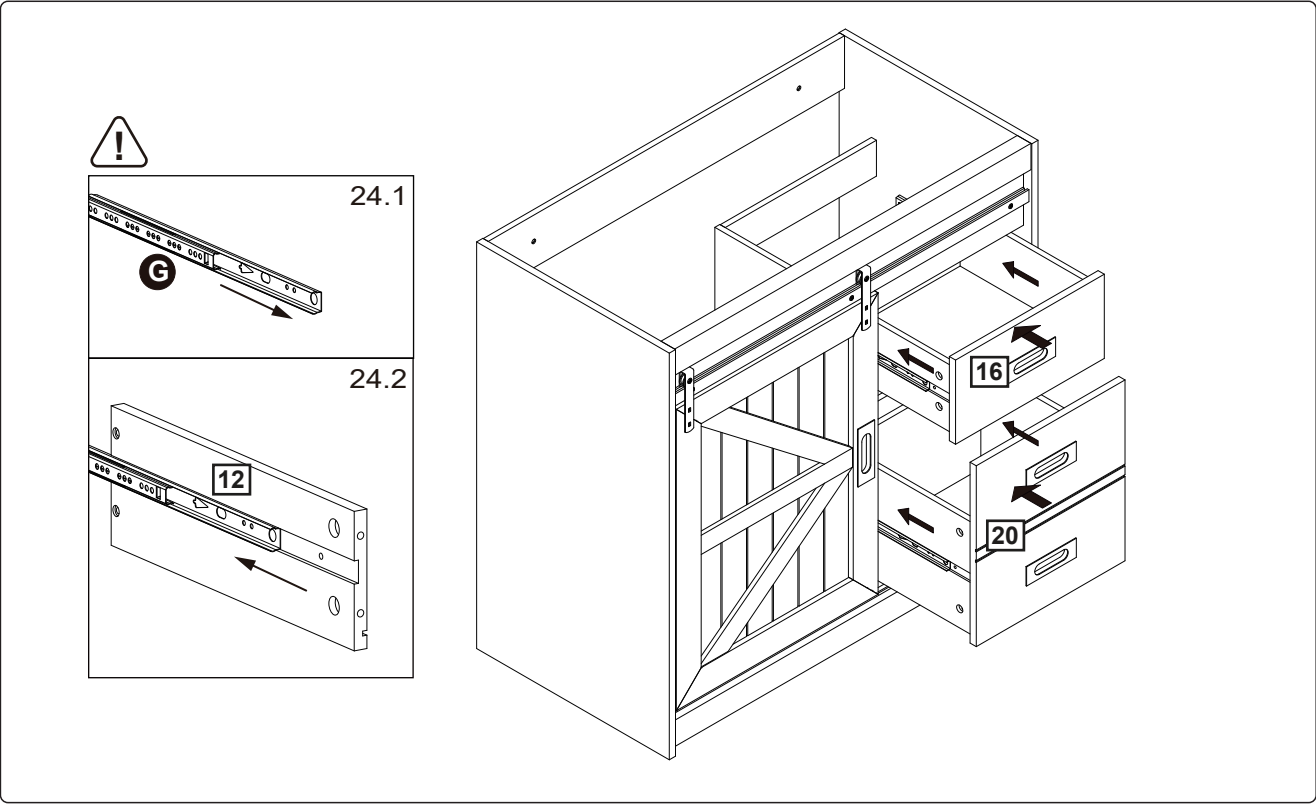
CAM-LOCK

Tighten until shoulder is flush with panel. Do not overtighten or undertighten (see example below)



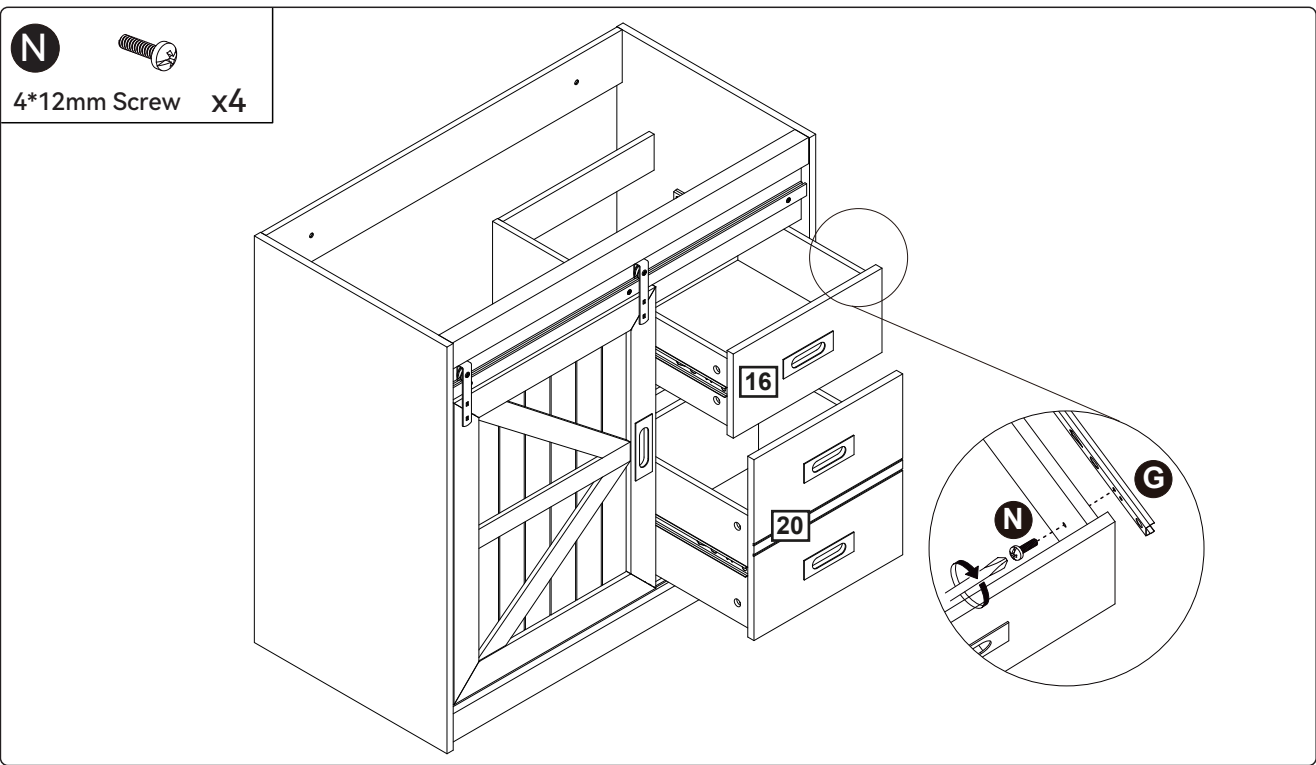
Attach cam bolt (A) to part (20) with a screwdriver.
Attach part (20) to part (17, 18), then insert and secure cam lock (B) to part (17, 18) to lock it.

Step 24



Slide the drawer slide (G) into grooves on both side of the drawer as per diagram.

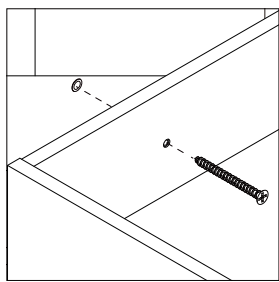
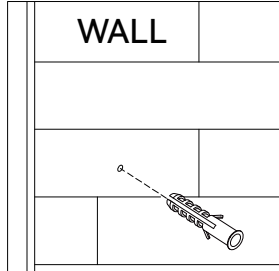
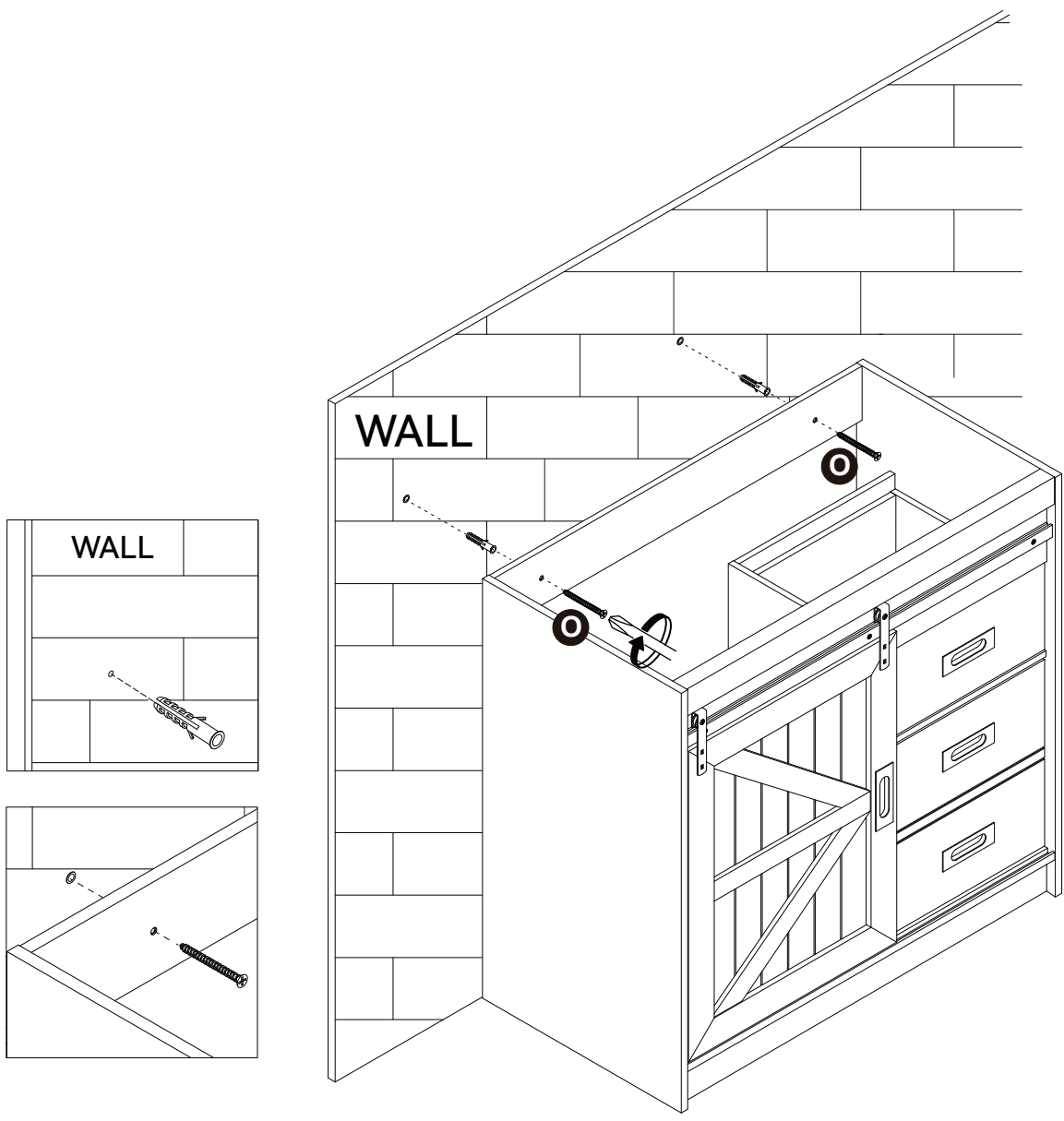
Step 25



Use screw(N) to secure drawer slide (G) to the drawer.

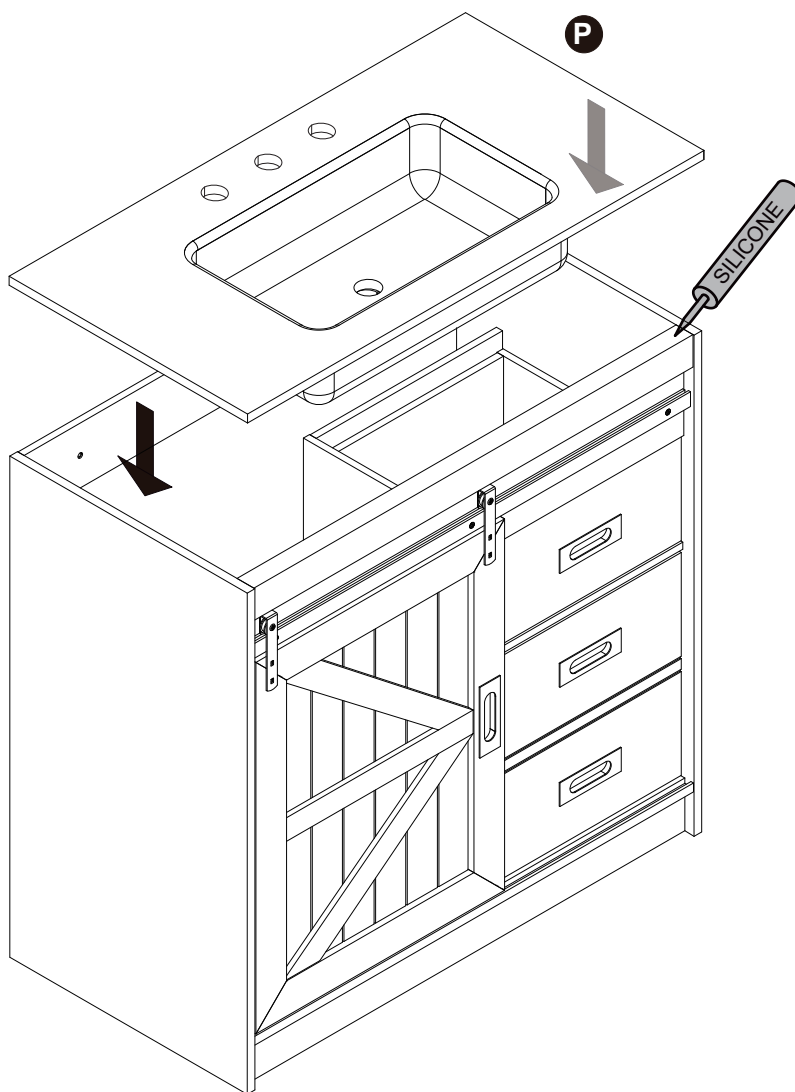
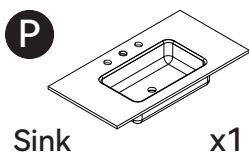
Step 26

 Wall Fixing Pack.x2



Secure the cabinet to the wall by using appropriate wall plus and screw(O).

Step 27



Apply a thin layer of silicone sealant around the top of the vanity, then carefully set the sink (P) in place.
Wipe off any excess silicone with a damp rag.