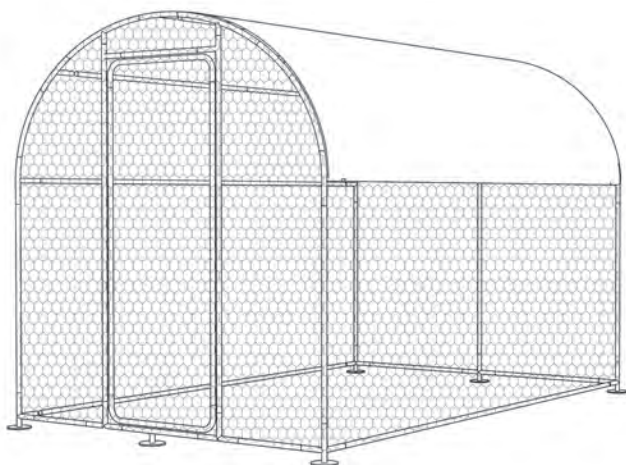


79"x118"x79" Outdoor Pet Run Owner's Manual

Tip: Ship out as 1 Box

24 Hours After-Sales Service



Watch the weather: Better select a calm day to install this item.
Teamwork: More partners to complete this item may be more efficient.
Tools: Basic tools are needed in assembly.

Before You Begin

Owner's Manual

Before beginning construction, check local building codes regarding footings, location and other requirements. Study and understand this owner's manual. Important information and helpful tips will make your construction easier and more enjoyable.

Assembly Instructions: Instructions are supplied in this manual and contain all appropriate information for your building model. Review all instructions before you begin, and during assembly, follow the step sequence carefully for correct results.

Parts and Parts List: Check to be sure that you have all the necessary parts for building .

Separate contents of the carton by the part number while reviewing parts list.

The first few steps show how to join related parts to make larger sub assemblies which will be used later.

Familiarize yourself with the hardware and fasteners for easier use during construction.

These are packaged within the carton. Note that extra fasteners have been supplied for your convenience.

Plan Ahead

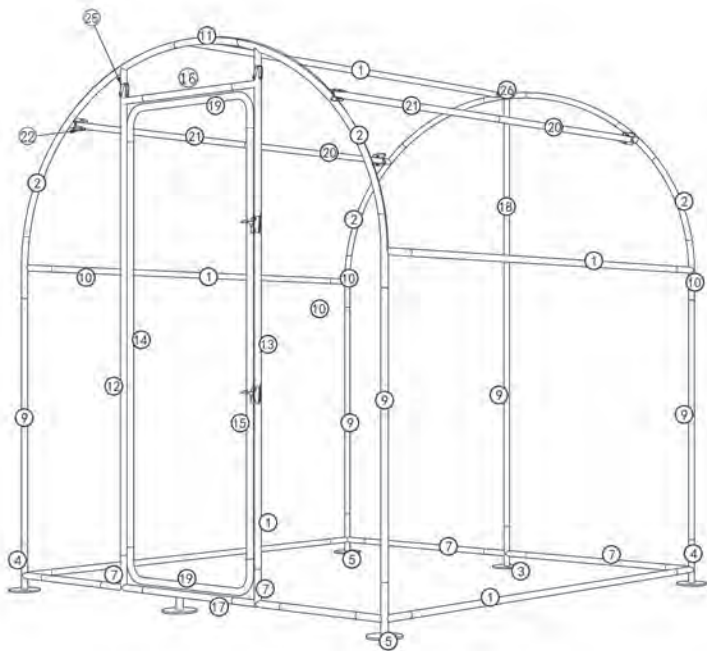
Watch the Weather: Be sure the day you select to install your building is dry and calm. Do not attempt to assemble your building on a windy day.

Teamwork: Whenever possible, two or more people should work together to assemble your building. One person can position parts or panels while the other is able to handle the fasteners and the tools.

Tools and Materials: These are some basic tools and materials you will need for the construction of your building. Decide which method of anchoring and the type of foundation you wish to use in order to form a complete list of the materials you will need.







PART NO	STYLE PIC	QUANTITY			
1	185CM 	5	14	134CM 	1
2	165CM 	4	15	134CM 	1
3	84CM 	1	16	60.5CM 	1
7	106.5CM 	4	17	84CM 	1
9	102.5CM 	5	18	85CM 	1
10		4	19		2
12	181CM 	1	20	100.5CM 	2
13	181CM 	1	21	100.5CM 	2

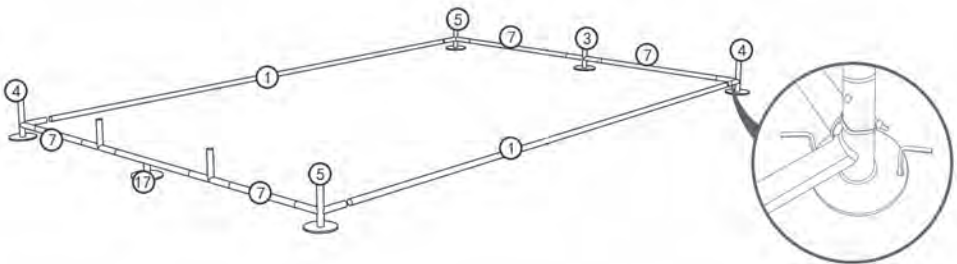
Jx2 	Lx2 	M4x8 	N1x1 	M5x10 	Px12 	Ox1 	Qx220
Rain Cover 	Big Mesh 						
④ x2 	⑤ x2 	⑪ x1 					
⑳ x1 	㉕ x2 						
M6x4 	M x2 			㉒ x4 			




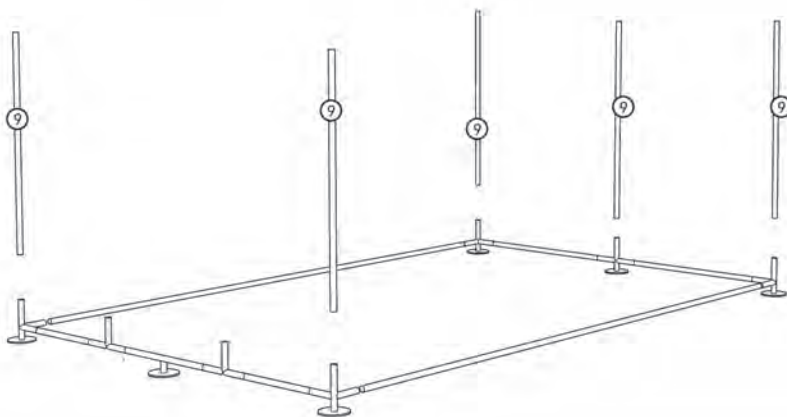
EN

Assembly

1	① x2	③ x1	④ x2	⑤ x2
				
	⑦ x4	⑰ x1		
				

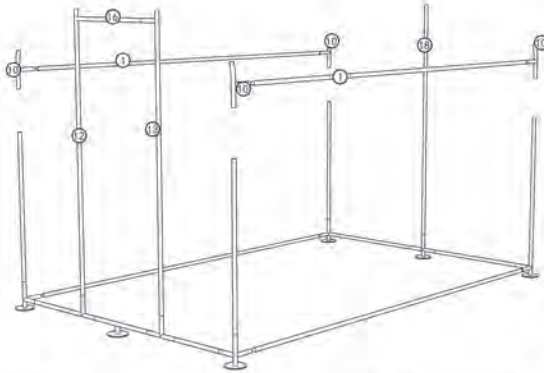


2	⑨ x5
	

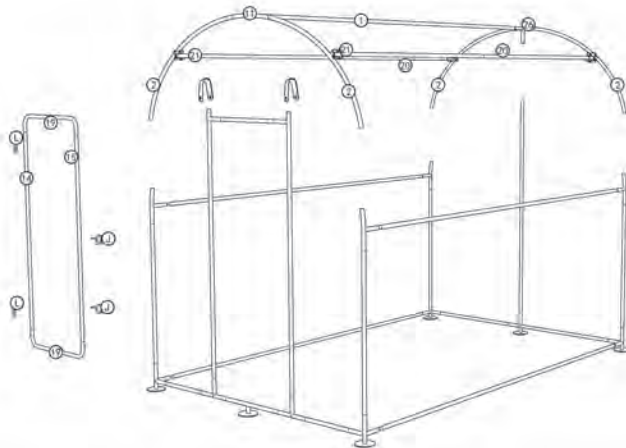


EN

3	①x2	⑩x4	⑫x1
	⑬ x1	⑯x1	⑱x1



4	①x1	②x4	⑪x1		
	⑭ x1	⑮x1	⑲x2	L x2	J x2
	⑳ x2	㉑ x2	㉕x2	㉒x4	M x2
	M4x8	M5x10	M6x4		



5 Q x220 