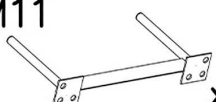


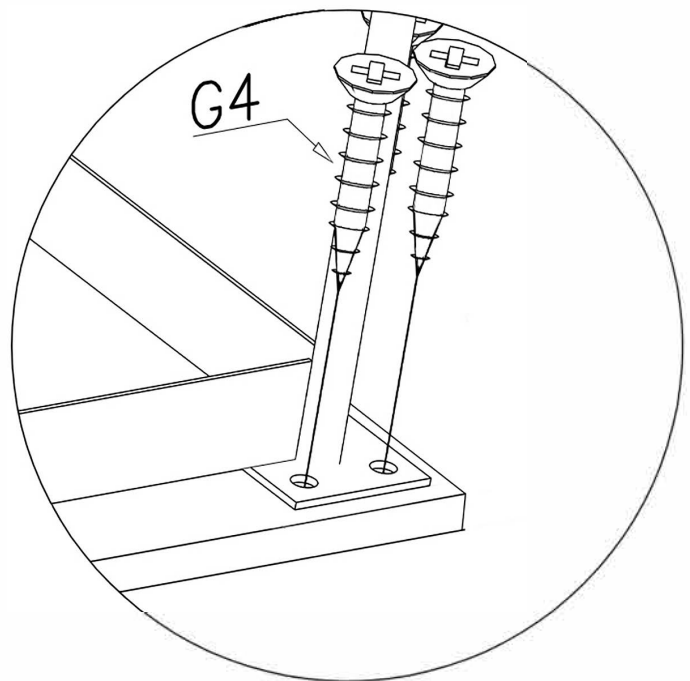
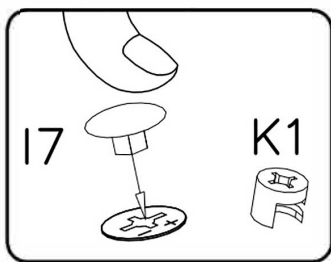
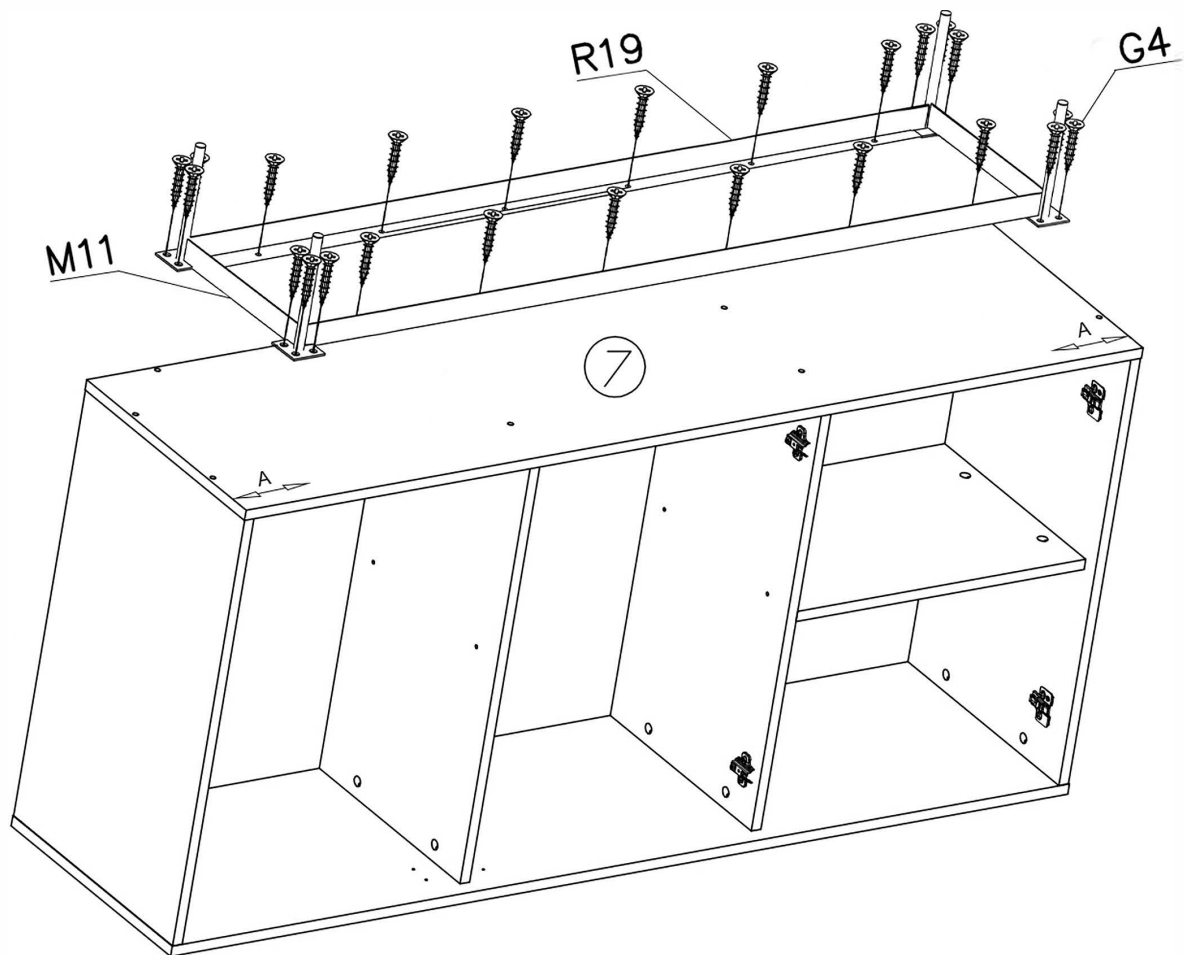
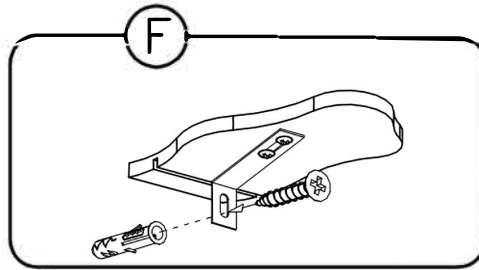
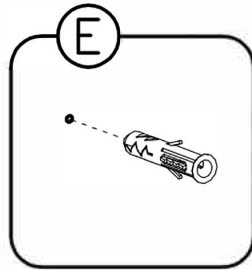
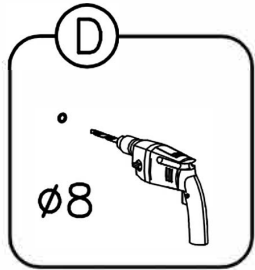
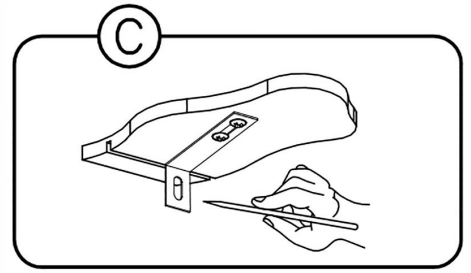
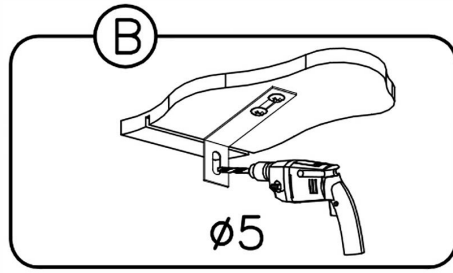
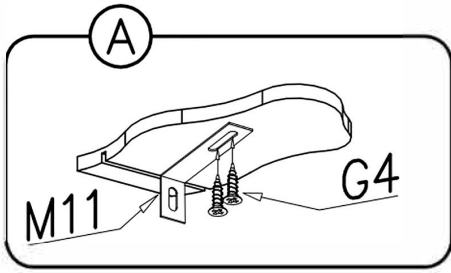


Installation & Assembly

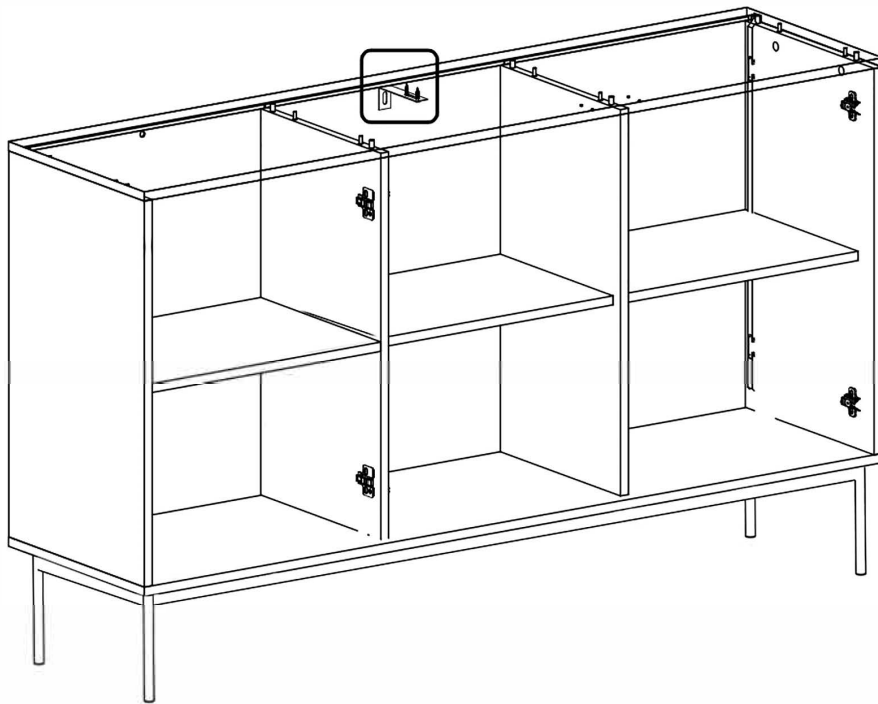
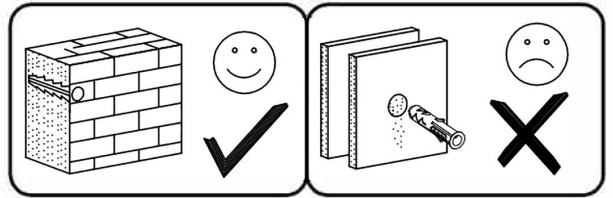
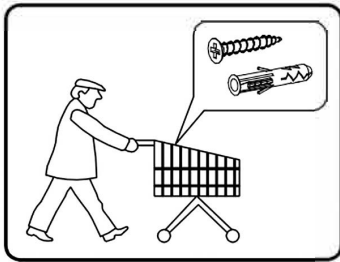
I

M11  x2	R19  x2	G4  4x16 x24
--	---	--

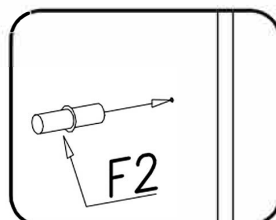




II



1



2

