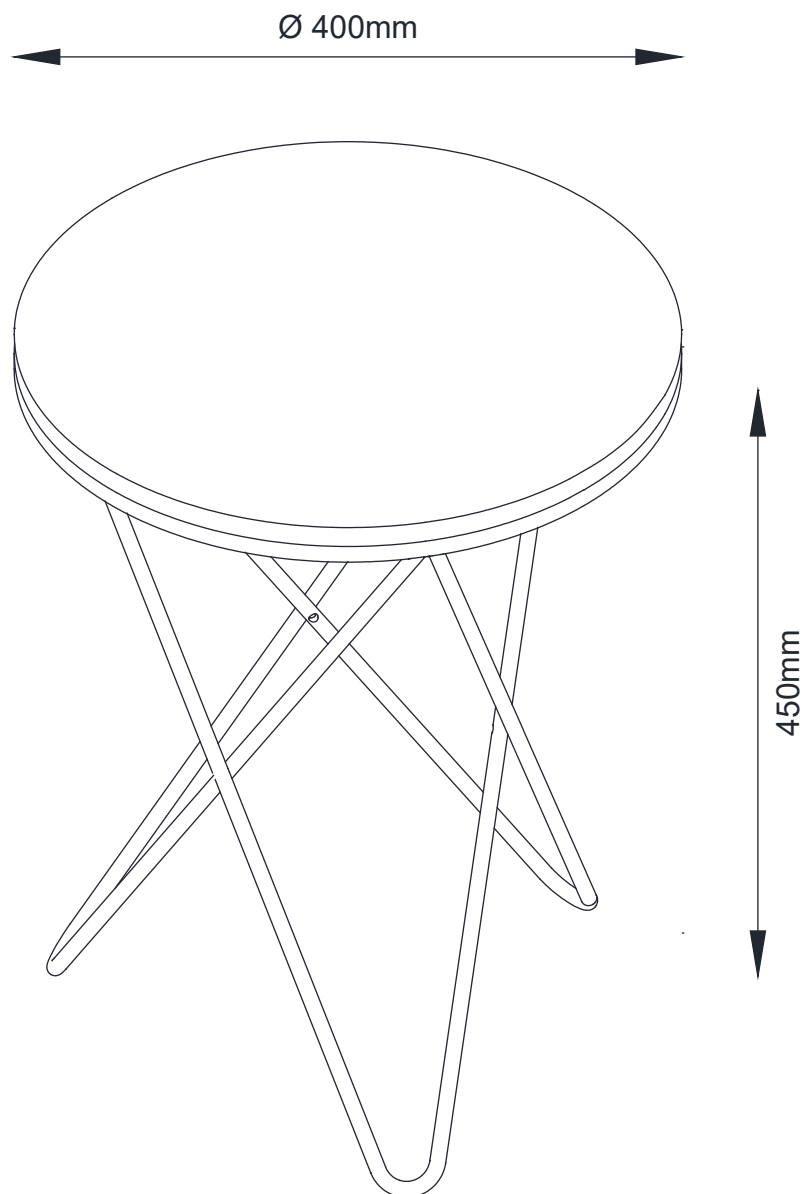


Assembly Instructions

Manchester Lamp Table

520584



Keep these instructions for future reference

Assemble the furniture on a soft level surface to avoid damaging the furniture or your floor.

We recommend furniture be assembled near where they will be placed, to avoid moving the product unnecessarily once assembled.

If there is a need to move the furniture, please remove all loose items and have extra hands to help lift the furniture to the desired location. Dragging the furniture will damage both the furniture and the floor.

Regularly check and re-tighten (if necessary) all bolts on furniture that you have assembled yourself.

Care and Maintenance of your Furniture

Regular Cleaning

Wipe the surface once or twice a week with a soft cloth with a cloth dampened with warm water to remove dust.

A little mild soap may be used. remove the soap with another damp cloth.

Never use dusting sprays or abrasive cleaners on your marble top

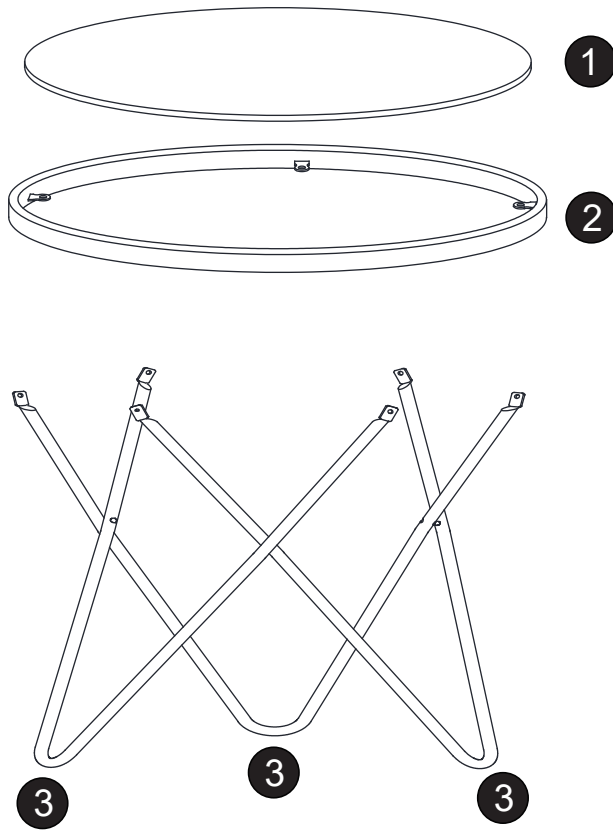
Care During Regular Use

To prevent marks and stains, please coasters under glasses and dishes.





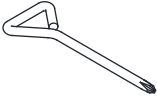

Use adequately thick mats or runners beneath hard objects that might scratch the surface

And always blot spills up immediately and rinse with a clean, damp cloth.

PARTS LIST



HARDWARE LIST

<p>Ax3</p>  <p>M5x15mm</p>	<p>Bx3</p>  <p>M5x20mm</p>	<p>Cx3</p>  <p>M6x15mm</p>	<p>Dx3</p> 
<p>Ex1</p> 	<p>Fx1</p>  <p>4mm</p>		

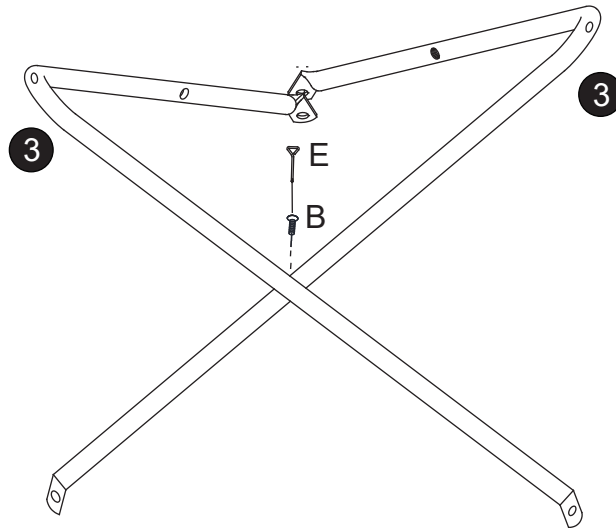
1



Bx1
M5x20mm



Ex1



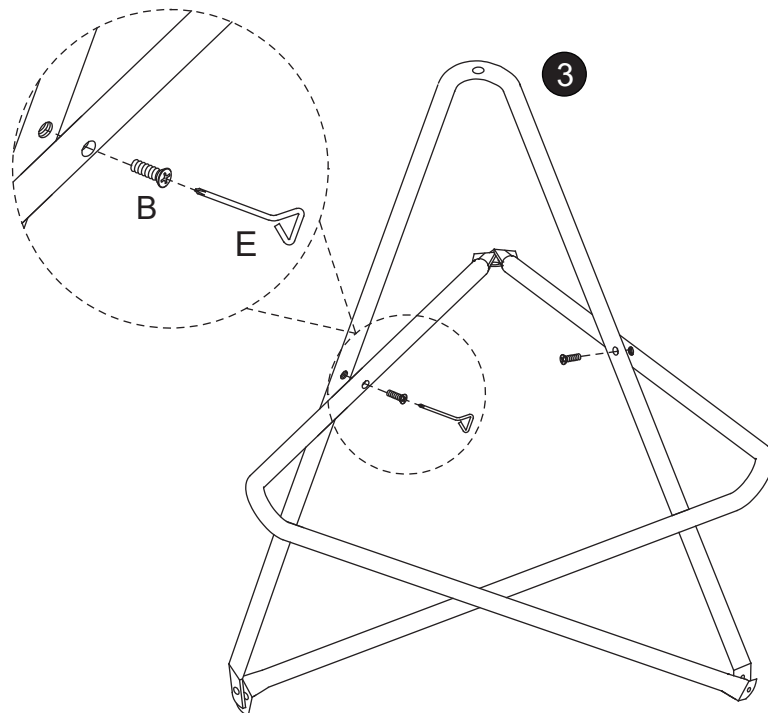
2



Bx2
M5x20mm



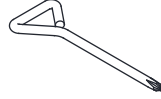
Ex1



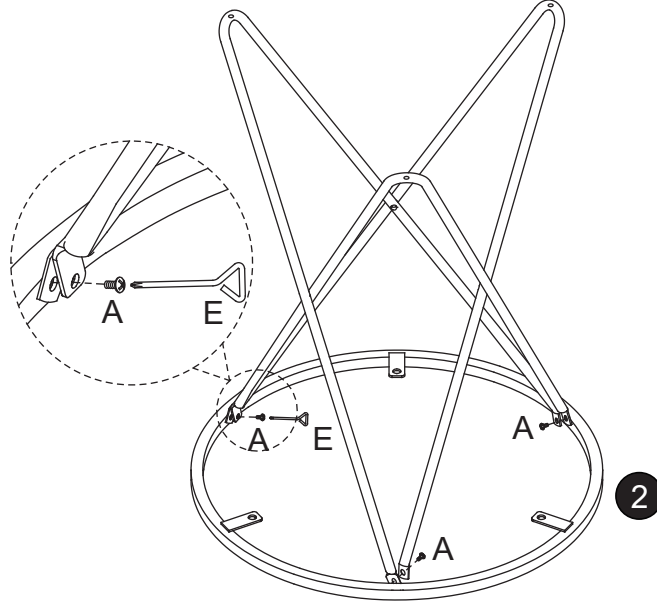
3



Ax3
M5x15mm



Ex1



4



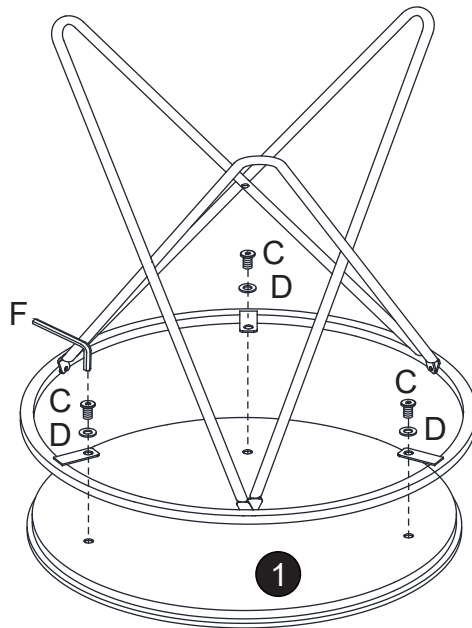
Cx3
M6x15mm



Dx3



Fx1



5

