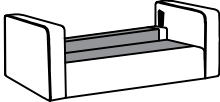
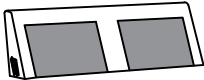



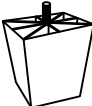



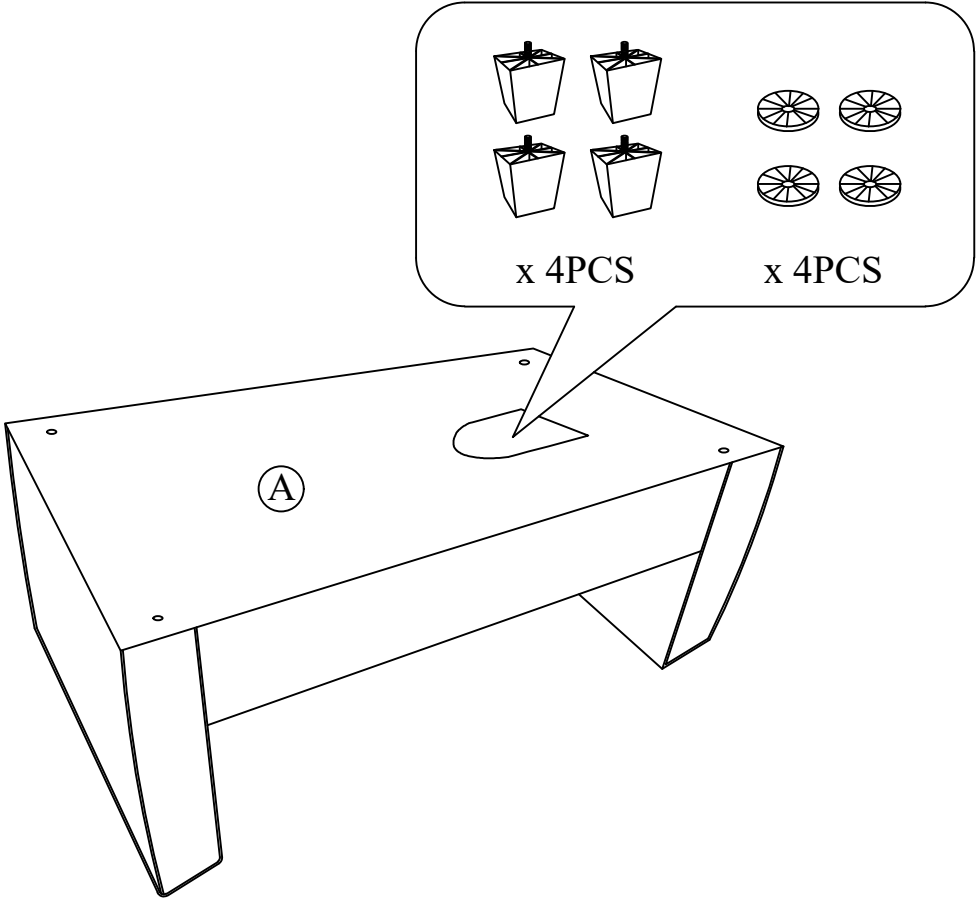


NOTE: Do not use power tools for assembly. The use of power tools increases the risk of over-tightening, which can result in wood splitting or cracking.

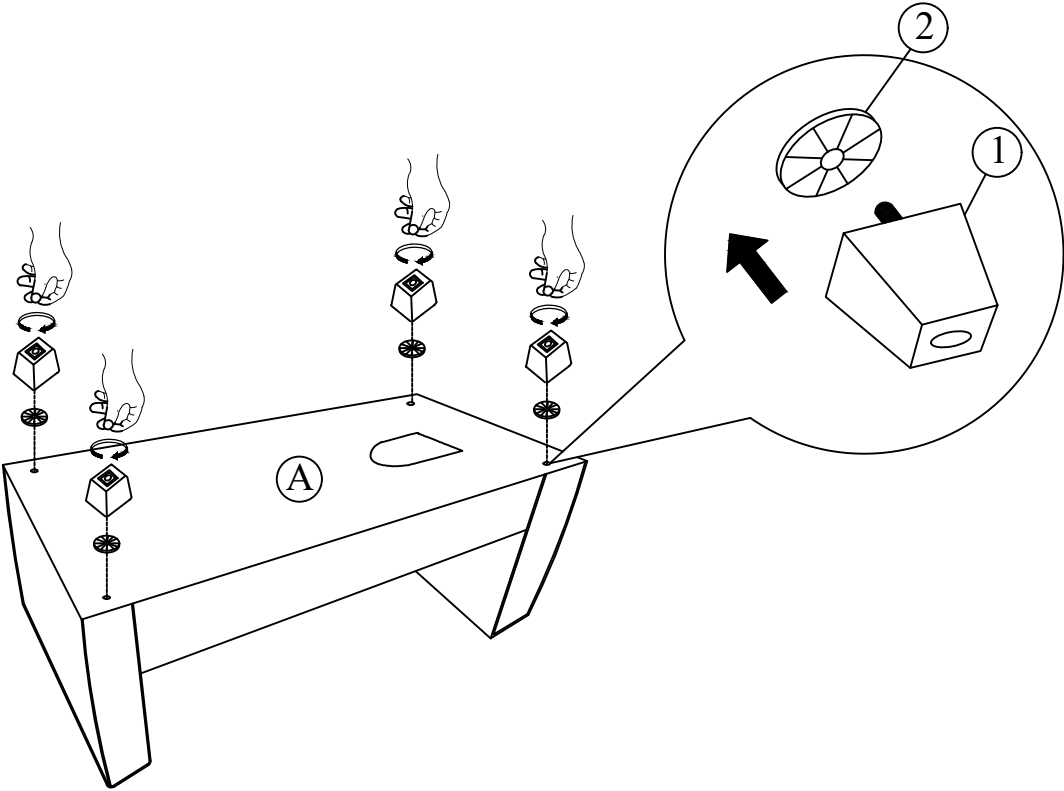
NO.	DRAWING	QTY	DESCRIPTION
A		1	LOVE SEAT BASE
B		1	BACK REST
C		2	SEAT CUSHION
D		2	BACK CUSHION
E		2	PILLOWS (17"x17")

HARDWARE LIST			
NO.	DRAWING	QTY	DESCRIPTION
1		4	PLASTIC LEGS (8CM)
2		4	WASHERS (Ø4.7CM)

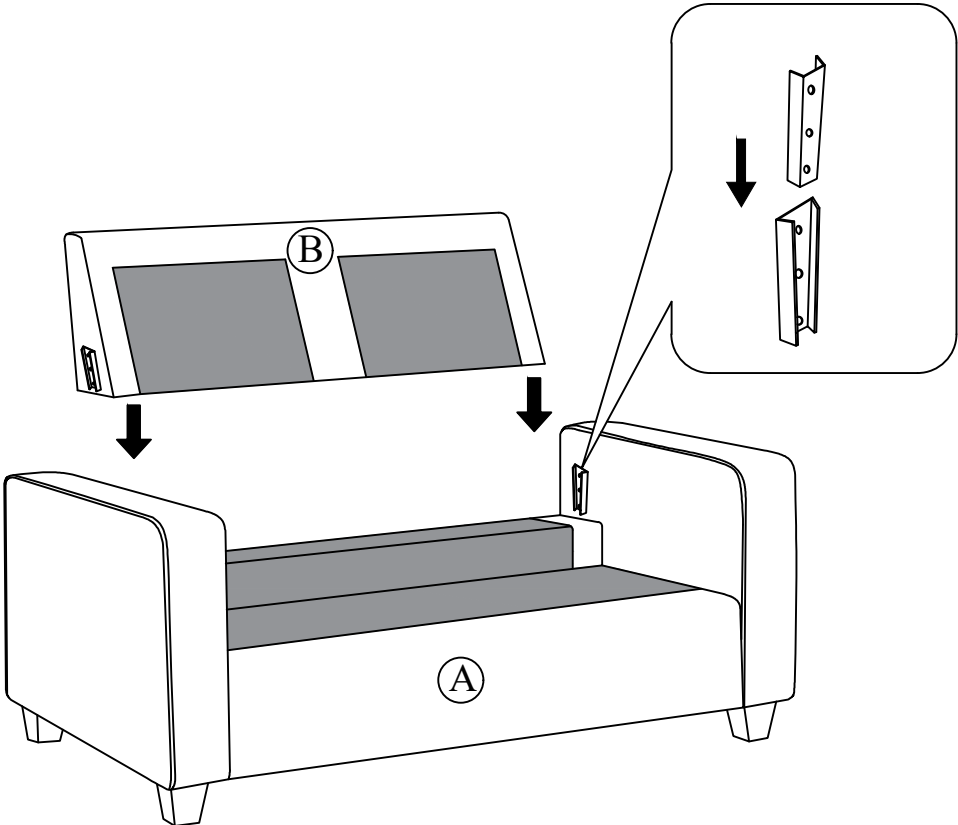
STEP 1



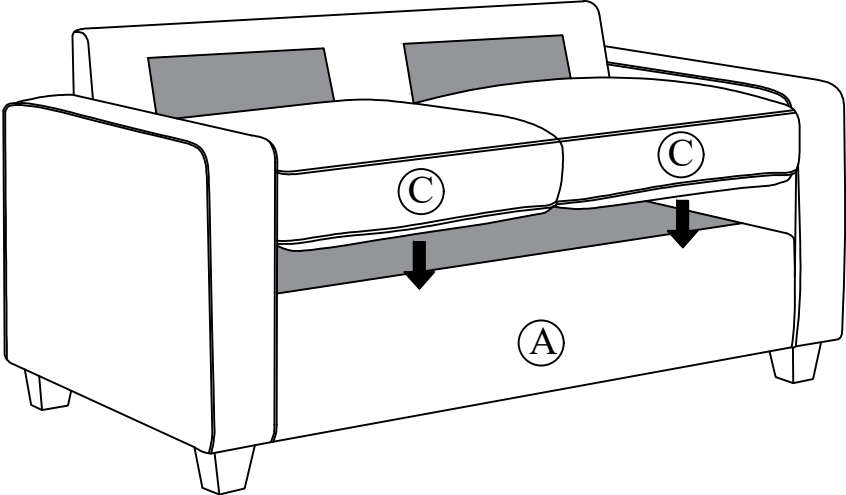
STEP 2



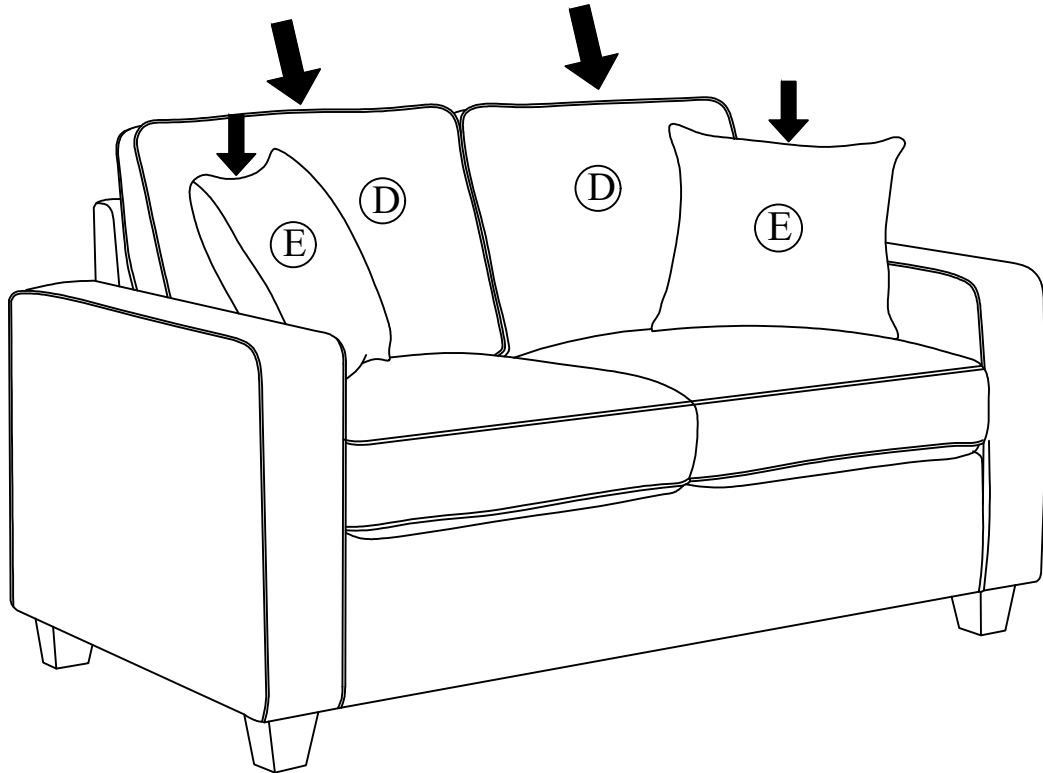
STEP 3



STEP 4



COMPLETED



Care Instruction for Texture Fabric Furniture.

In order to maintain the original appearance of your Texture Fabric furniture, please follow below simple care procedures:

- Avoid exposing furniture directly to sunlight or heating and air conditioning outlets. Sunlight and/or exposure to heating and air conditioning outlets will fade/damage Texture Fabric.
- Do not place your Texture Fabric furniture too close to windows, radiators, or vents.
- Vacuum or wipe with a soft brush to remove dust.
- Hardware may loosen over time. Periodically check to make sure all connection are tight, Re-tighten if necessary.



For items use on wooden floor, hard surfaces or carpets, it is recommended to install protective pads under all legs and supports to avoid/prevent from damages/scratches and discoloration.