

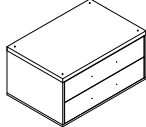
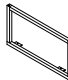







## CARE AND MAINTENANCE

Wipe clean with a soft, dry cloth. The seat board can be cleaned with a mild cleaner. Test the cleaning method on a hidden area before using them over the entire area.

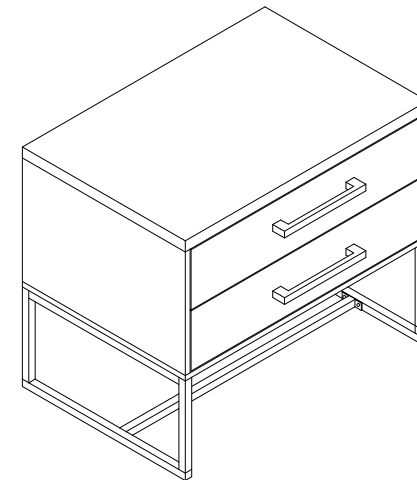
## NOTICE

- \* Please make sure that you have all parts indicated before you begin assembly of this item.
- \* This item should be assembled on a soft surface to prevent scratching the finished product during assembly.
- \* This item may require periodic tightening.
- \* Do not tighten bolts until completely assembled.

## Part List and Hardware List

Piece	Description	Picture	Quantity
A	CABINET		1 X
B	METAL SIDE FRAME		2 X
C	BOTTOM CONNECT BAR		1 X
D	METAL TOP FRAME		1 X
H1	ALLEN BOLT 1/4* 1-1/4"		4 X
H2	ALLEN BOLT 1/4* 3/4"		8X
H3	ALLEN KEY 4mm		1 X
H4	HANDLE		2 X
H5	PHILLIPS HEAD BOLT 5/32* 30mm		4 X

Product Dimensions:29-1/2"W\*20"D\*27"H

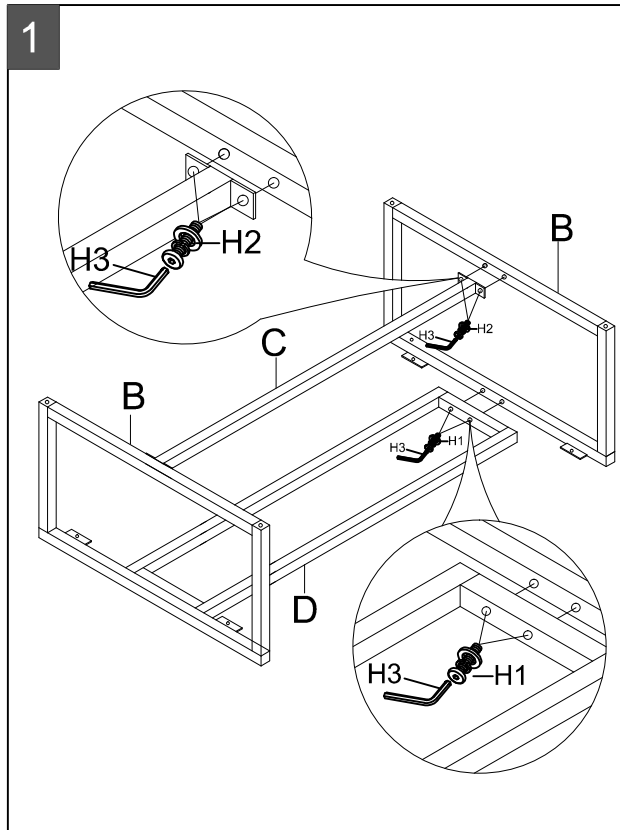


## PREPARATION

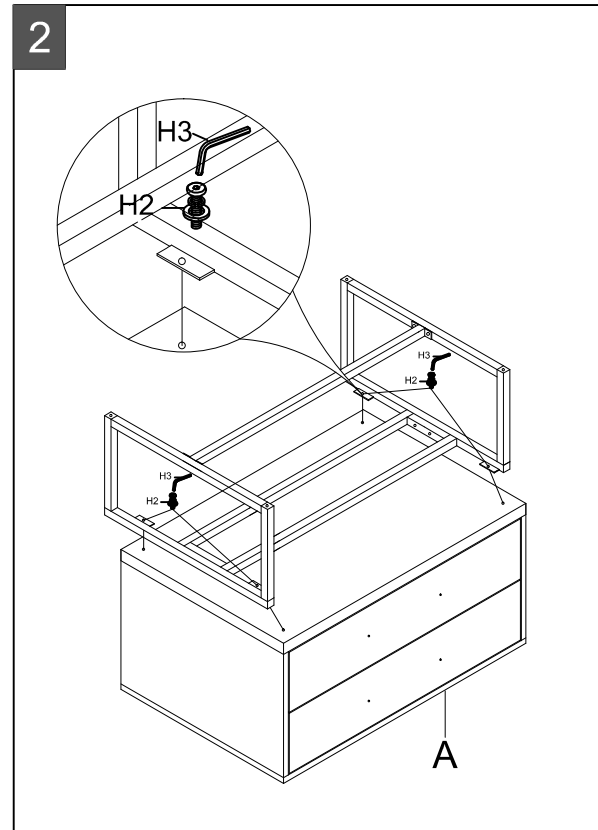
Before beginning assembly of product, make sure all parts are present. Compare parts with package contents list and hardware contents list. If any part is missing or damaged, do not attempt to assemble the product.

Estimated Assembly Time: 10 minutes.

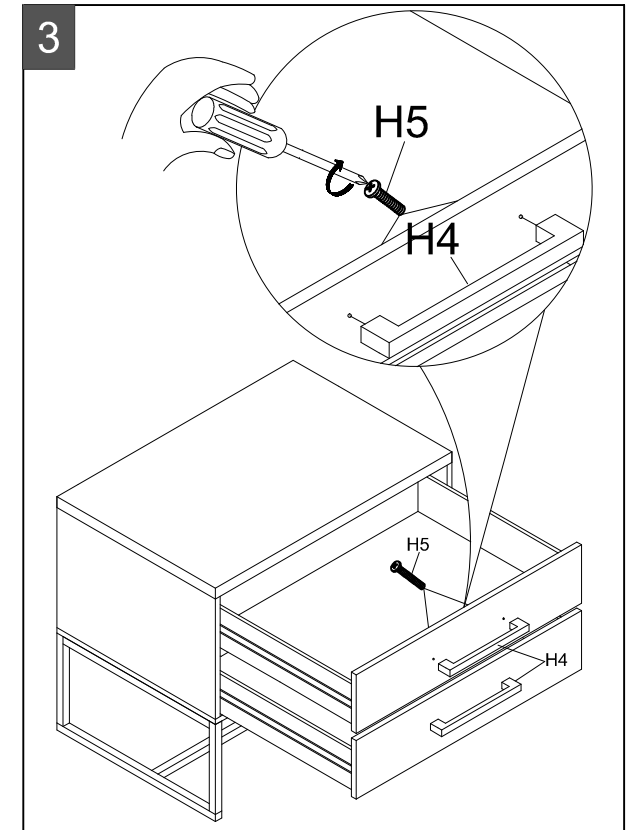
Tools Required for Assembly (included): Allen key.



**Step 1:**  
Attach metal top frame (D) to both side frame (B), using Allen Key (H3) to lock with 4\*Allen bolts (H1).  
Then attach bottom connect bar (C) to both side frame (B), using Allen Key (H3) to lock with 4\*Allen bolts (H2).



**Step 2:**  
Attach the assembled metal base to underneath of cabinet, using Allen Key (H3) to lock with 4\*Allen bolts (H2).



**Step 3:**  
Straighten up the assembled night stand, attach 2\*handles (H4) to front of drawer, using Phillips screwdriver (not included) to lock with 4\* Phillips head bolts (H5).