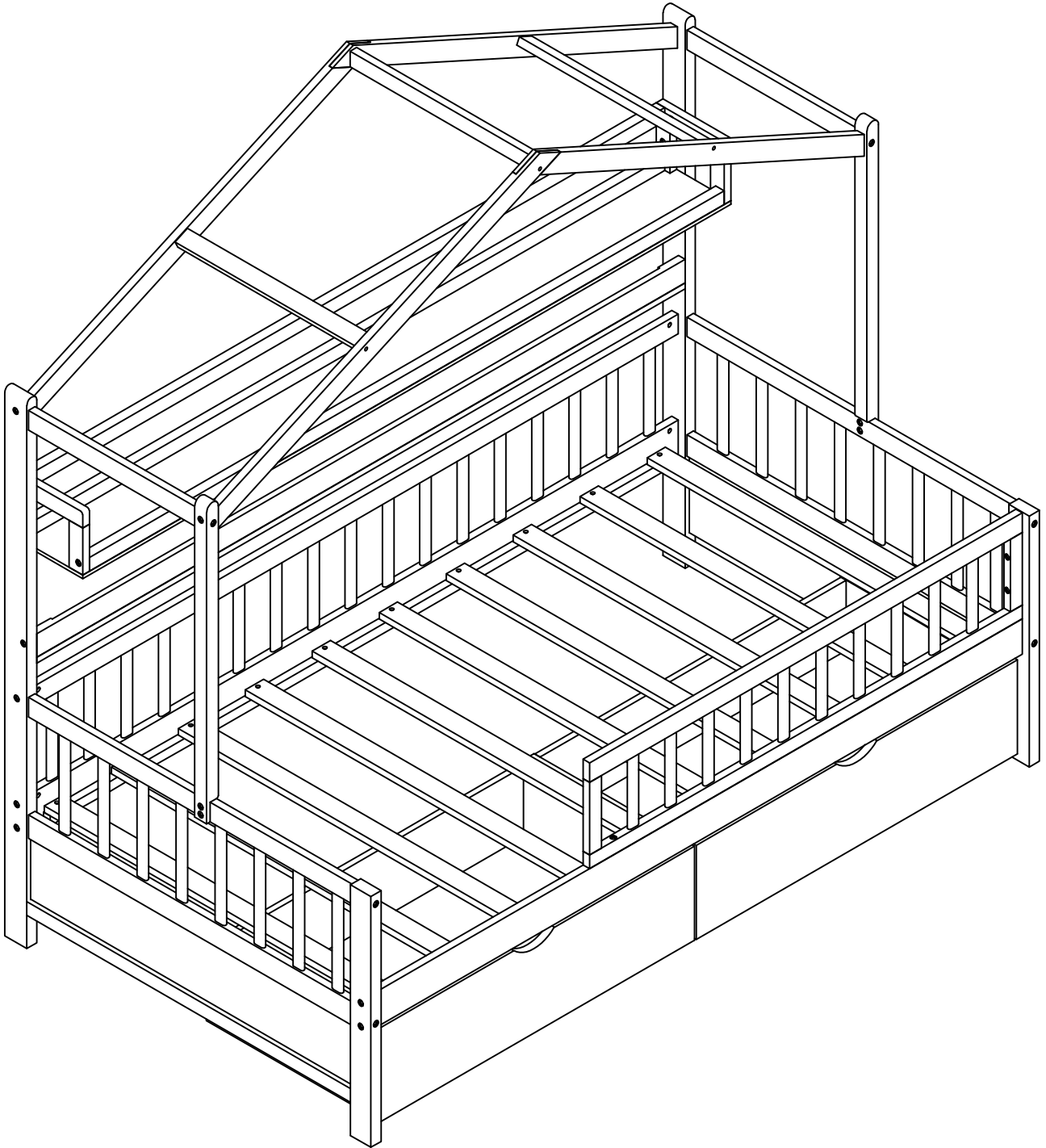
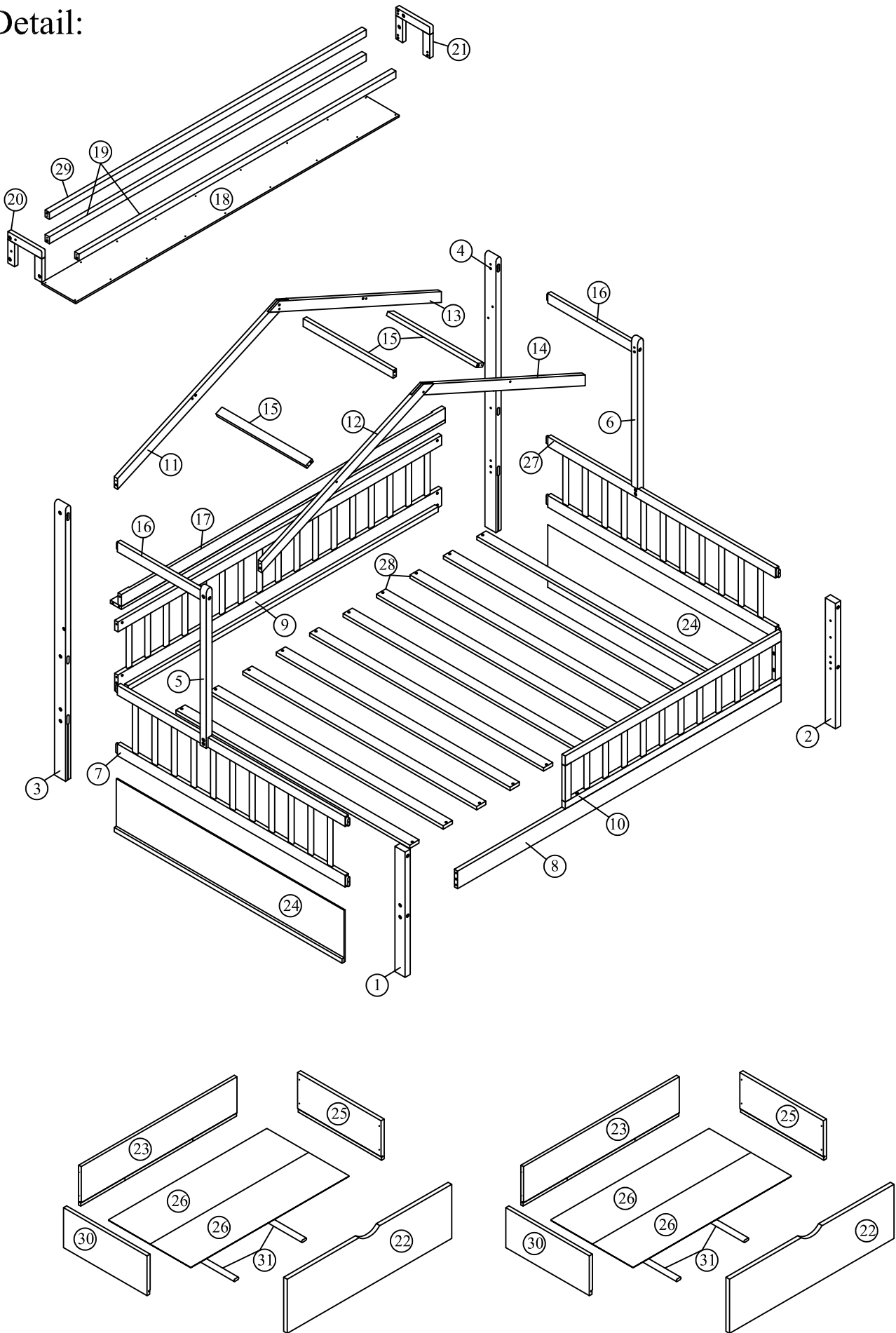


ASSEMBLY INSTRUCTION

SKU CODE: WF308872

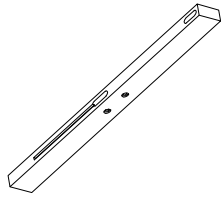


Detail:



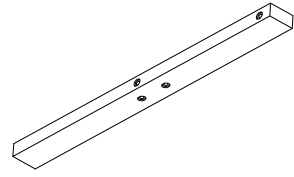
Part List (WF308872)

① x1



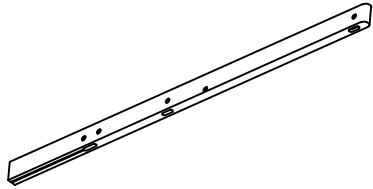
Front Left Leg

② x1



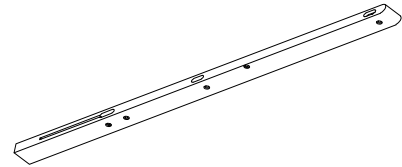
Front Right Leg

③ x1



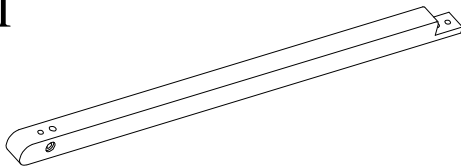
Back Left Leg

④ x1



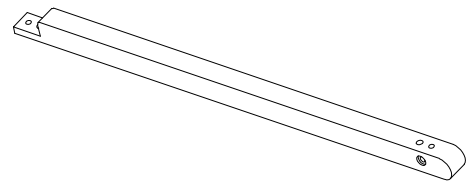
Back Right Leg

⑤ x1



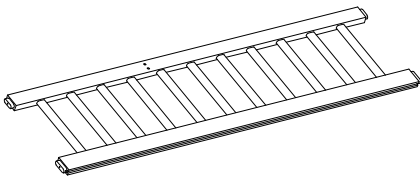
Mid (Left) Leg

⑥ x1



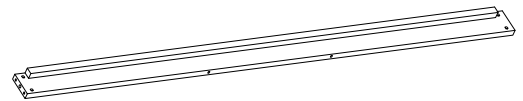
Mid (Right) Leg

⑦ x1



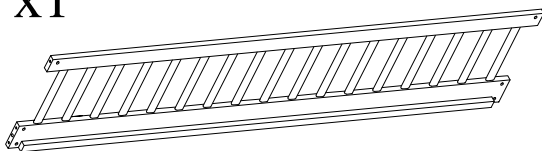
Frame Headboard

⑧ x1



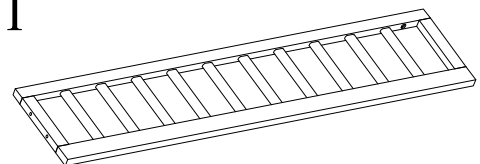
Side Rail

⑨ x1



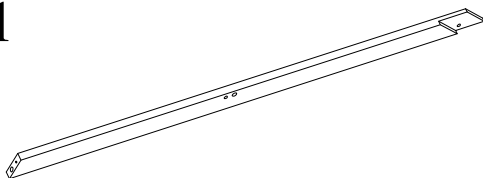
Side Rail

⑩ x1



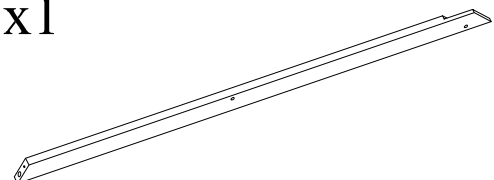
Side Rail Guards

⑪ x1



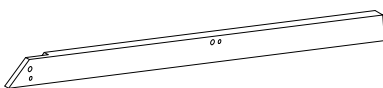
Back Left Roof Rail

⑫ x1



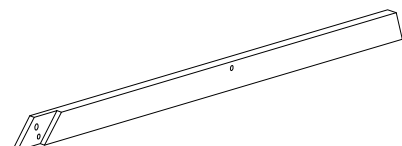
Front Left Roof Rail

⑬ x1



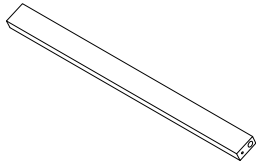
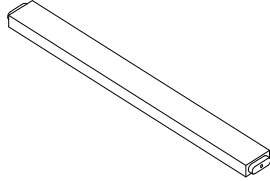
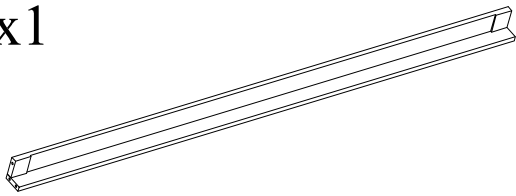
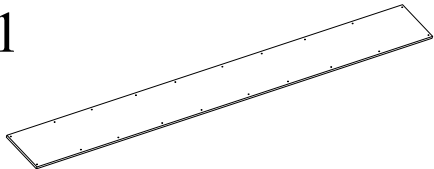
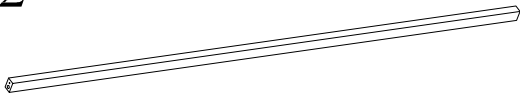
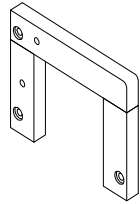
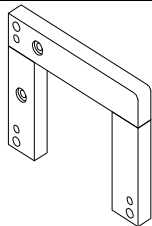
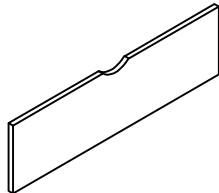
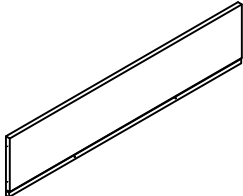

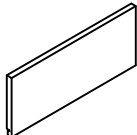
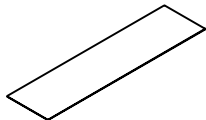
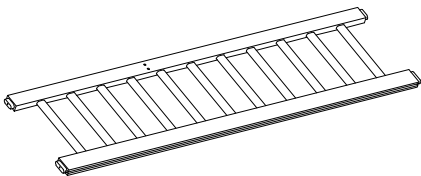
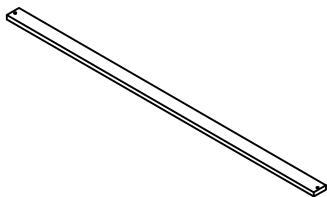
Back Right Roof Rail

⑭ x1



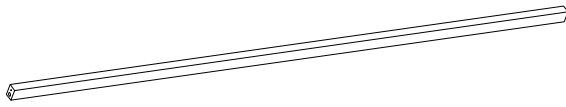
Front Right Roof Rail

Part List (WF308872)

<p>①⑤ x3</p>  <p style="text-align: center;">Roof Rail</p>	<p>①⑥ x2</p>  <p style="text-align: center;">Top Guard</p>
<p>①⑦ x1</p>  <p style="text-align: center;">Book Shelf</p>	<p>①⑧ x1</p>  <p style="text-align: center;">Bottom Shelf Big</p>
<p>①⑨ x2</p>  <p style="text-align: center;">(Bottom) Shelf Guard</p>	<p>②① x1</p>  <p style="text-align: center;">(Left) Side Shelf</p>
<p>②① x1</p>  <p style="text-align: center;">(Right) Side Shelf</p>	<p>②② x2</p>  <p style="text-align: center;">Front Drawers</p>
<p>②③ x2</p>  <p style="text-align: center;">Back Drawers</p>	<p>②④ x2</p>  <p style="text-align: center;">Panel Frames Headboard - Footboard</p>
<p>②⑤ x2</p>  <p style="text-align: center;">Side Right Drawers</p>	<p>②⑥ x4</p>  <p style="text-align: center;">Top Drawers</p>
<p>②⑦ x1</p>  <p style="text-align: center;">Frame Footboard</p>	<p>②⑧ x10</p>  <p style="text-align: center;">Slats</p>

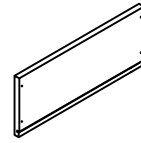
Part List (WF308872)

29 x1



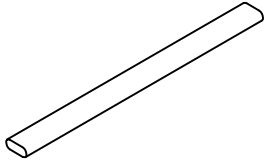
Back Guard (Shelf big)

30 x2



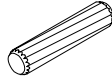
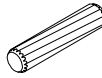
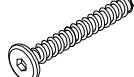


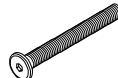
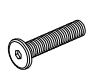
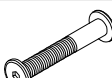


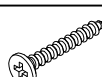
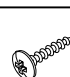




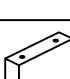
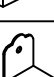
Side Left Drawers

31 x4



Support Drawers


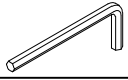
Hardware List (WF308872)

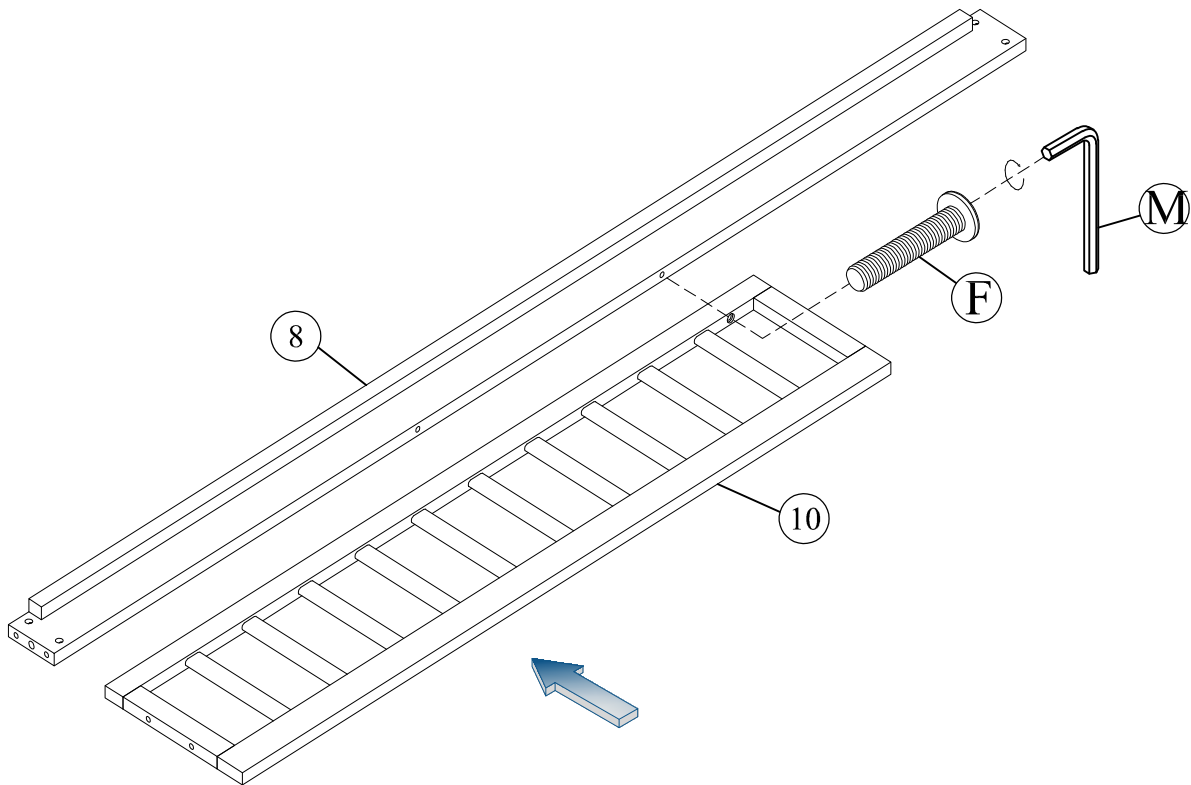
No.	OUTLOOK	DESC	QTY
(A)		Dowel Ø10*40mm	20
(B)		Dowel Ø8*30mm	04
(C)		Screws Ø6.5*50mm	12
(D)		Screws Ø6.5*80mm	10
(E)		Bolts 1/4"*70mm	16
(F)		Bolts 1/4"*50mm	03
(G)		Bolts 1/4"*35mm	06
(H)		Bolts 1/4"*20mm	04
(I)		Cross dowel 1/4"*13mm	16
(J)		Screws #7*12mm	40
(K)		Flat head screw #8*35mm	38
(L)		Round head screw #8*25mm	20
(M)		Allen key 60*22*4mm	01
(N)		Wheels	08
(O)		Connecting Bolt	08
(P)		Connector Housing	08
(Q)		Stop Wood	03
(U)		Base L	04

ASSEMBLY TOOLS REQUIRED (NOT INCLUDED)

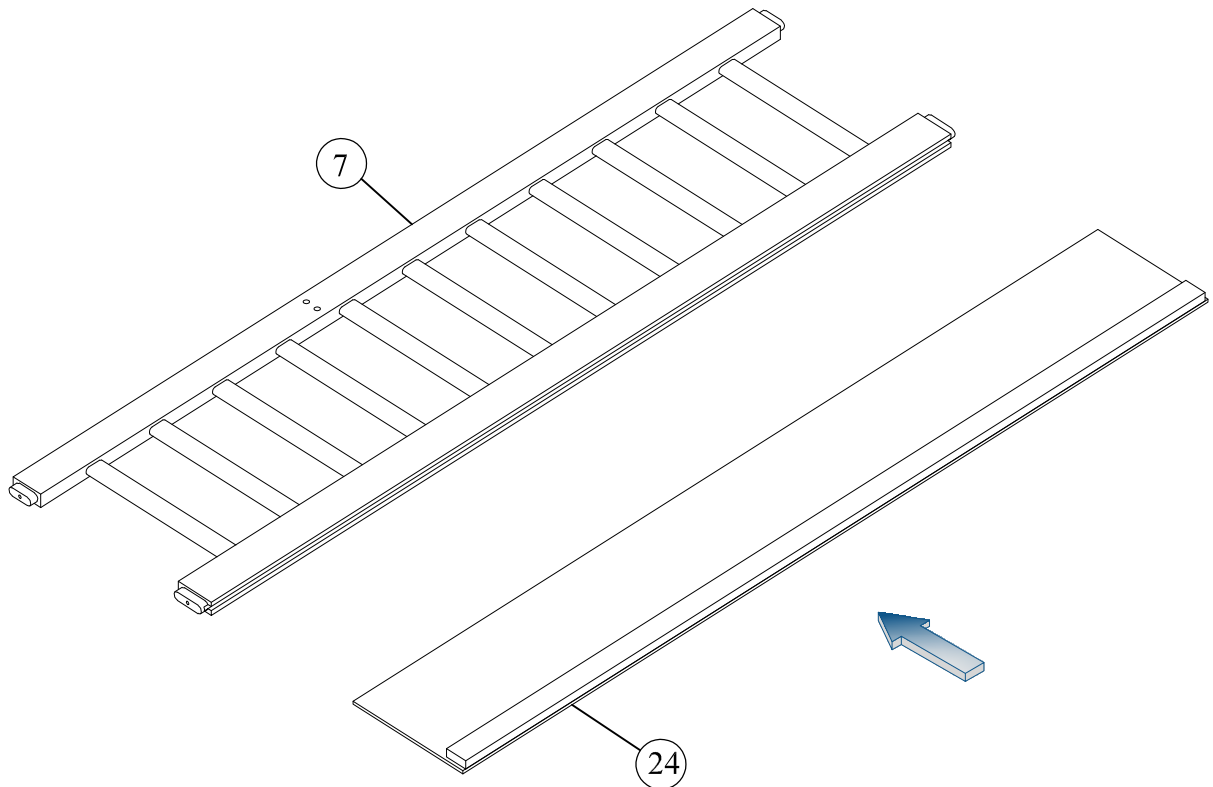


STEP 1:

(F)		01
(M)		01

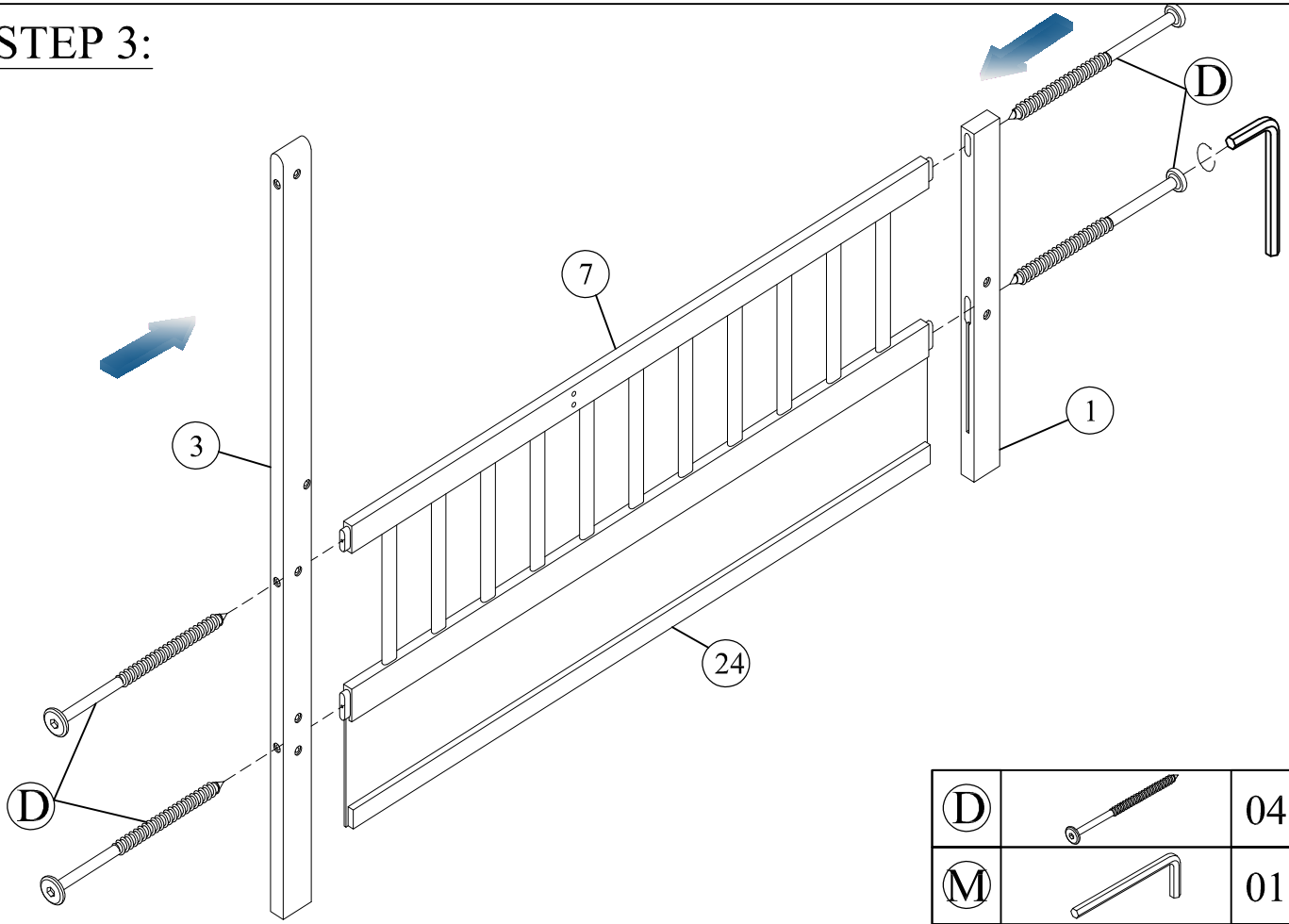


STEP 2:



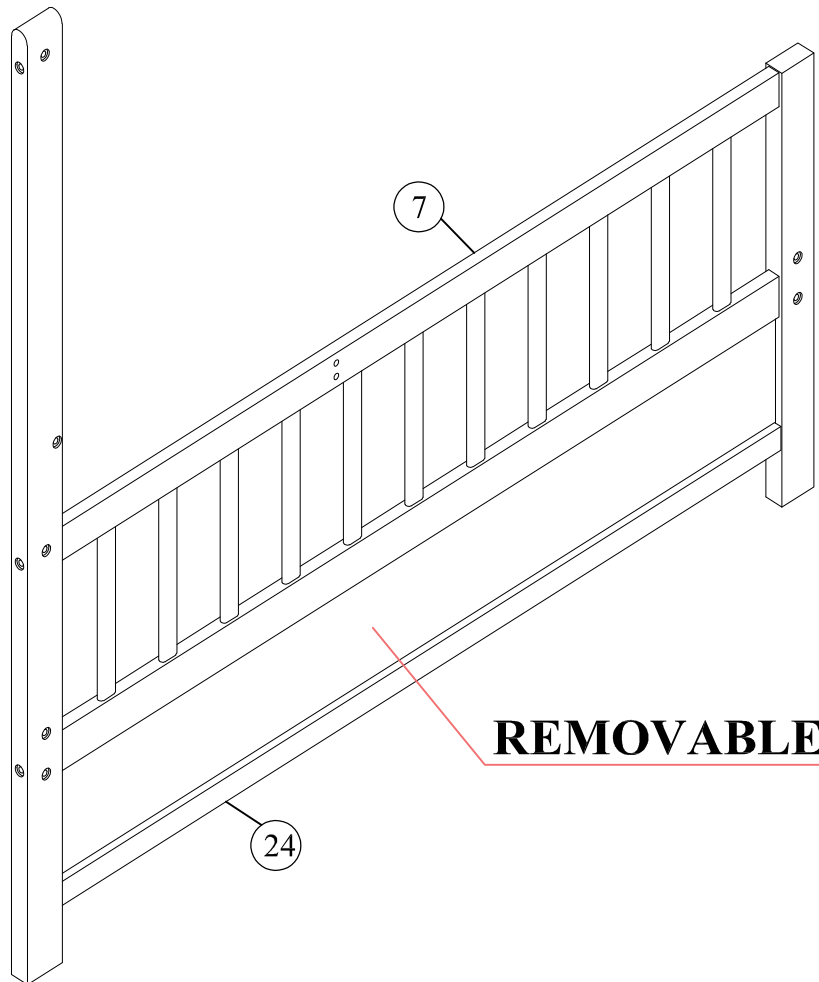
X2

STEP 3:

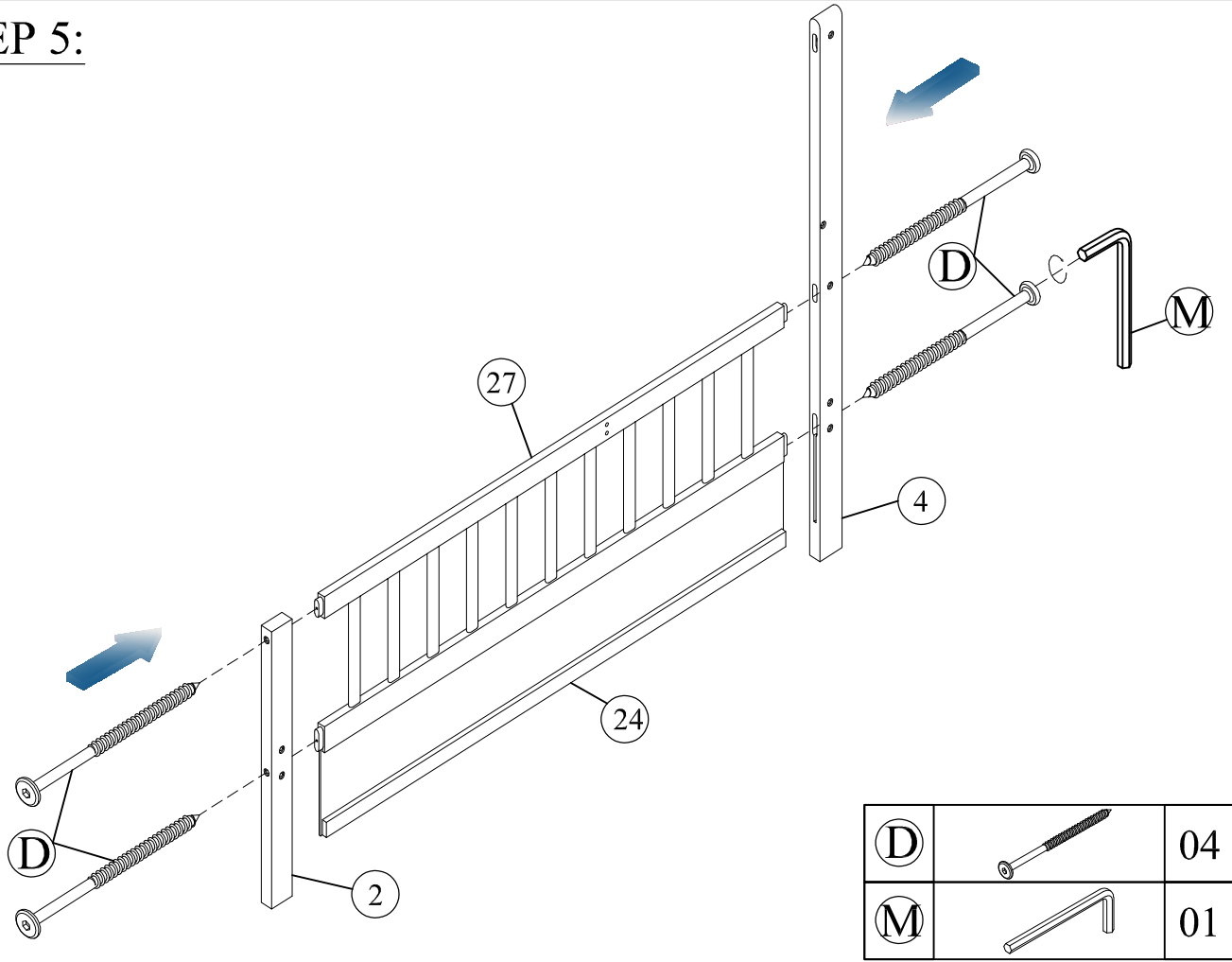


(D)		04
(M)		01

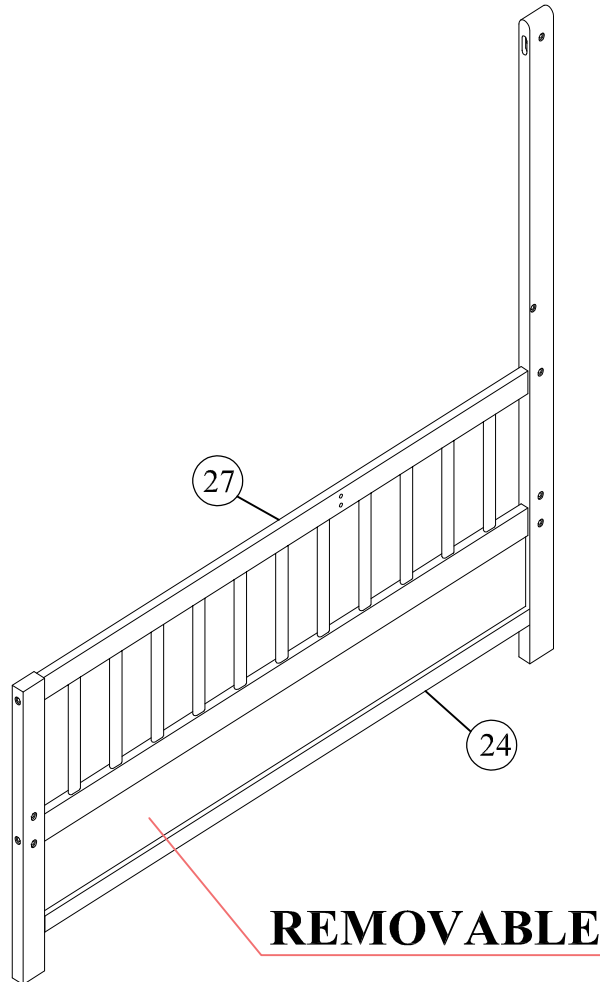
STEP 4:



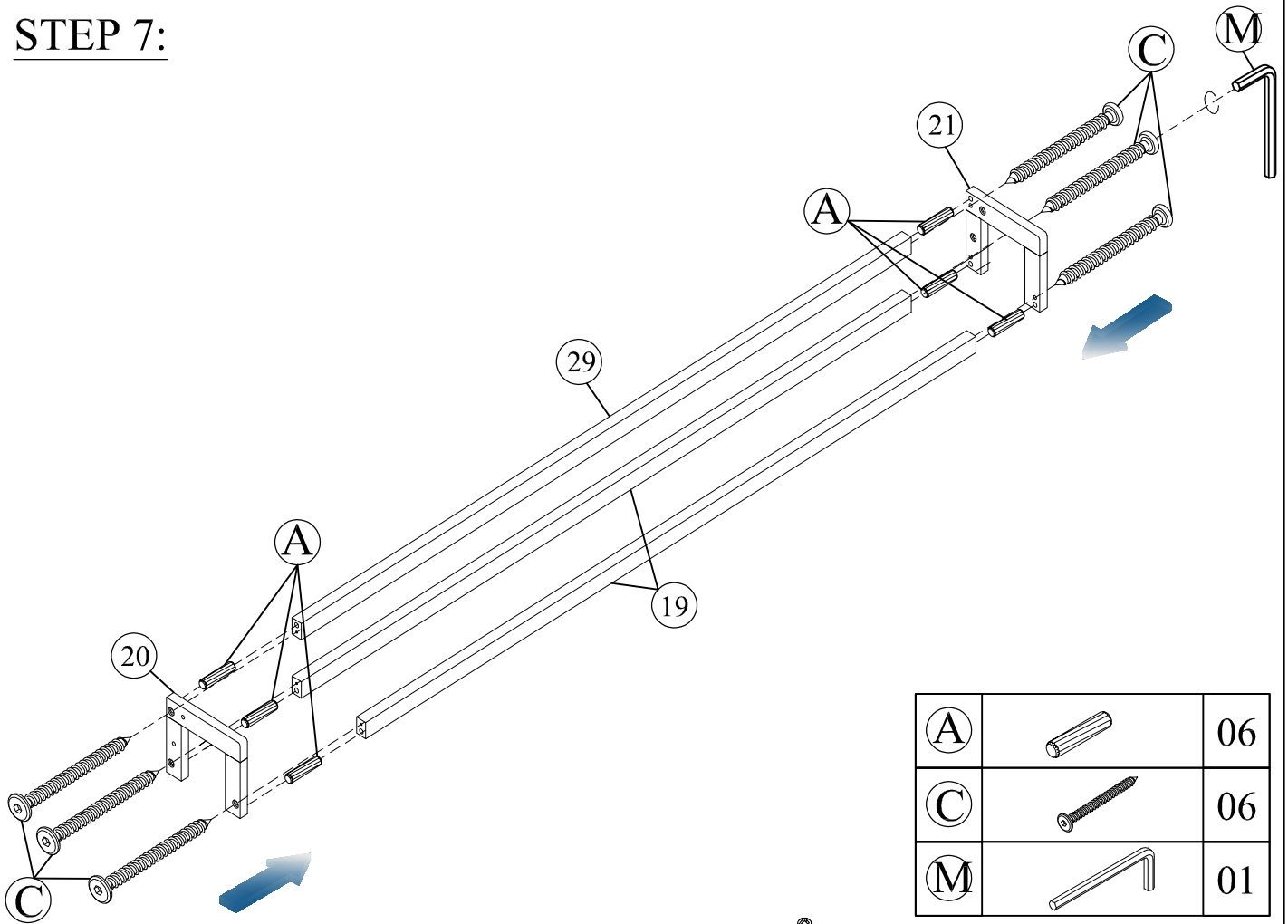
STEP 5:



STEP 6:

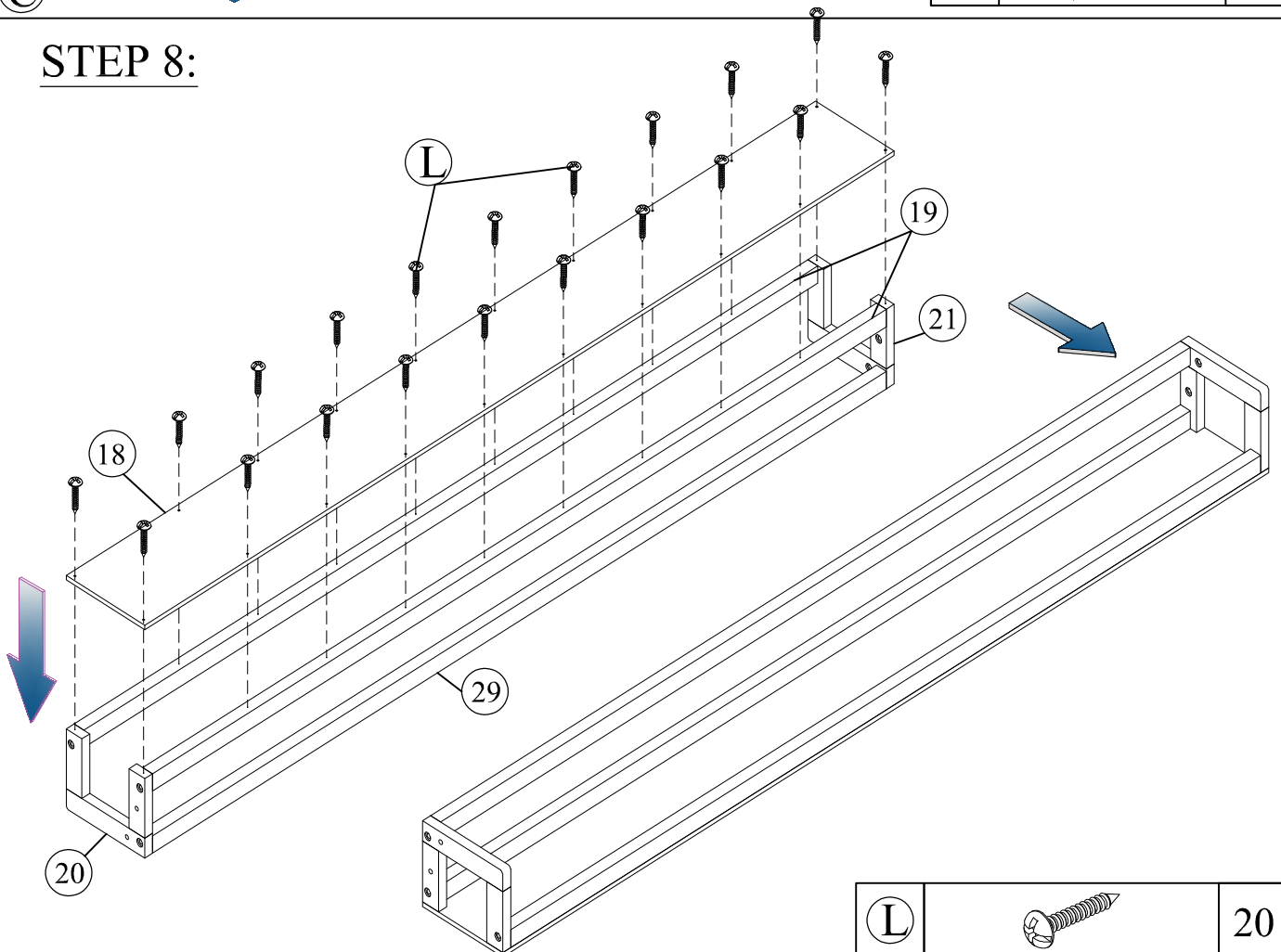


STEP 7:



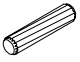



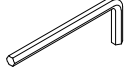
(A)		06
(C)		06
(M)		01

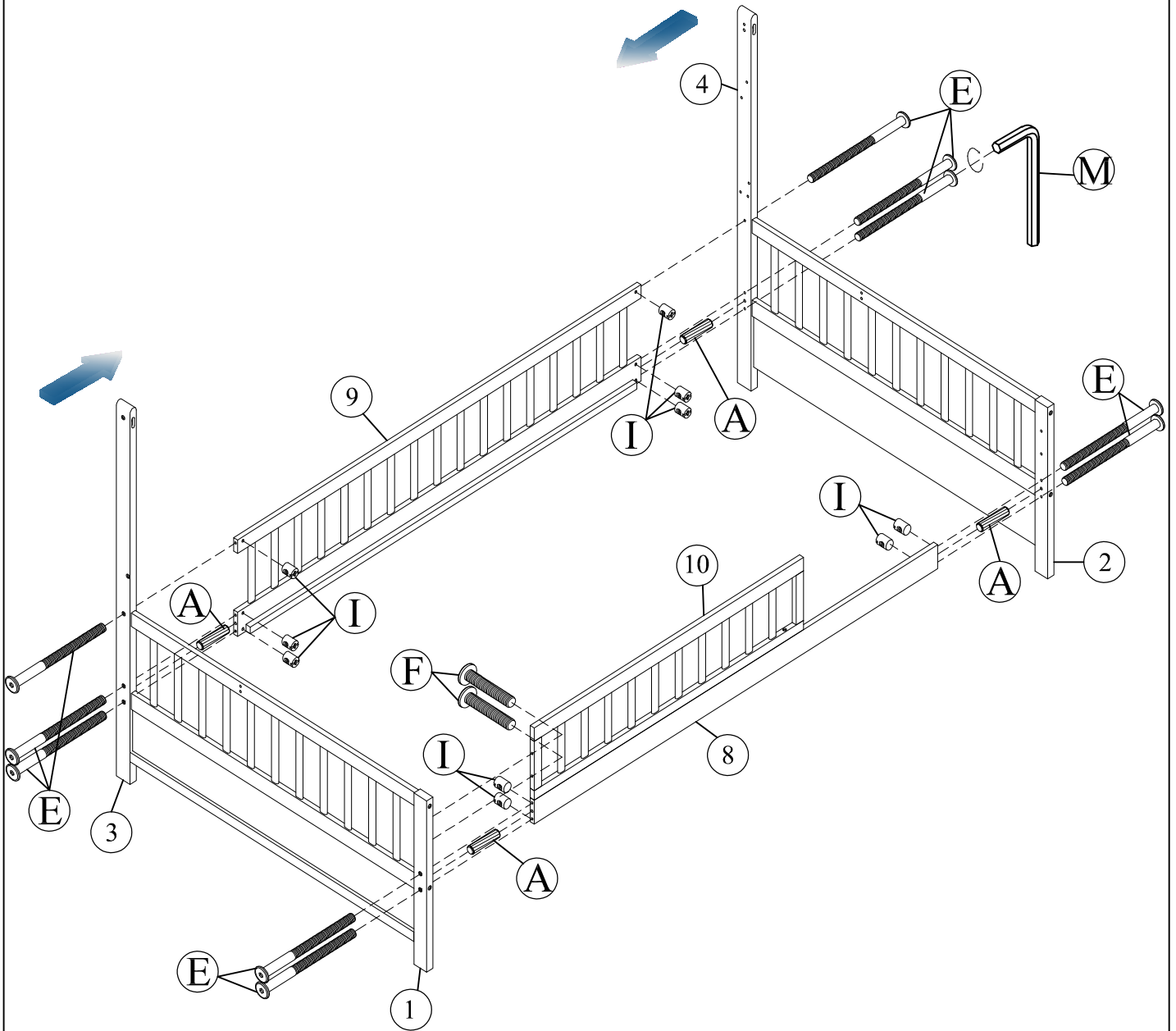
STEP 8:



(L)		20
-----	--	----

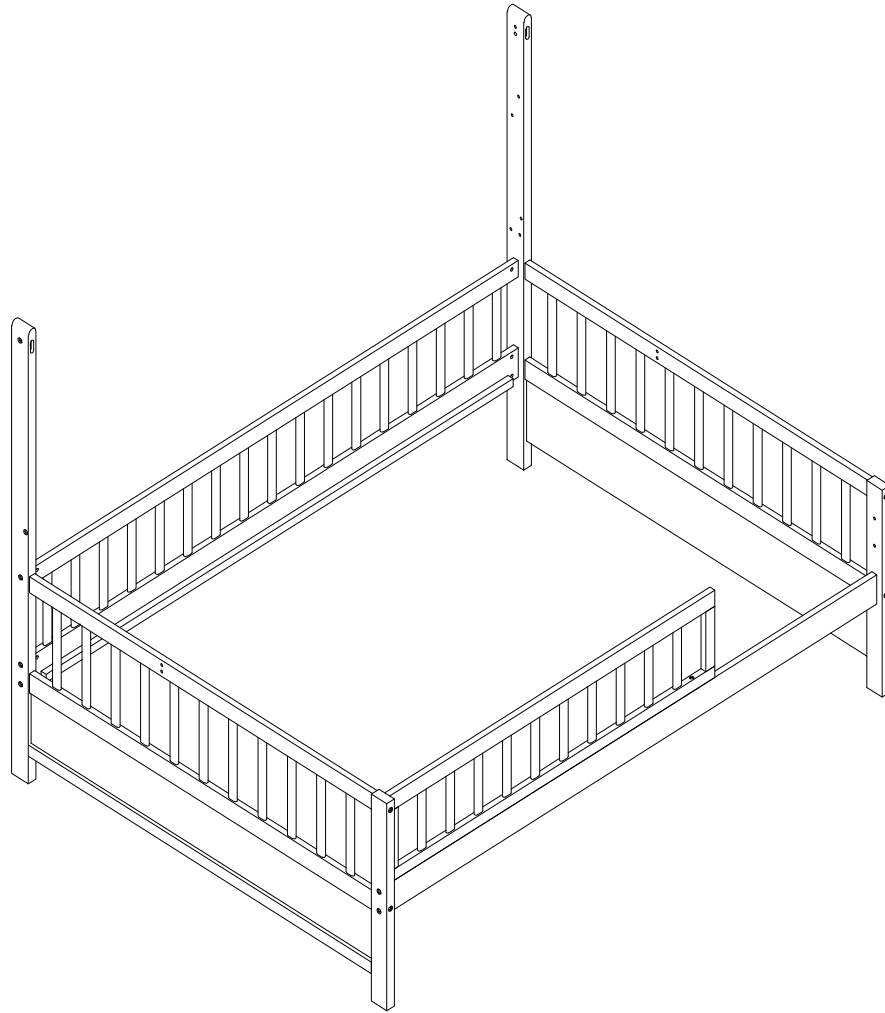
STEP 9:

(A)		04
(F)		02
(E)		10
(I)		10
(M)		01

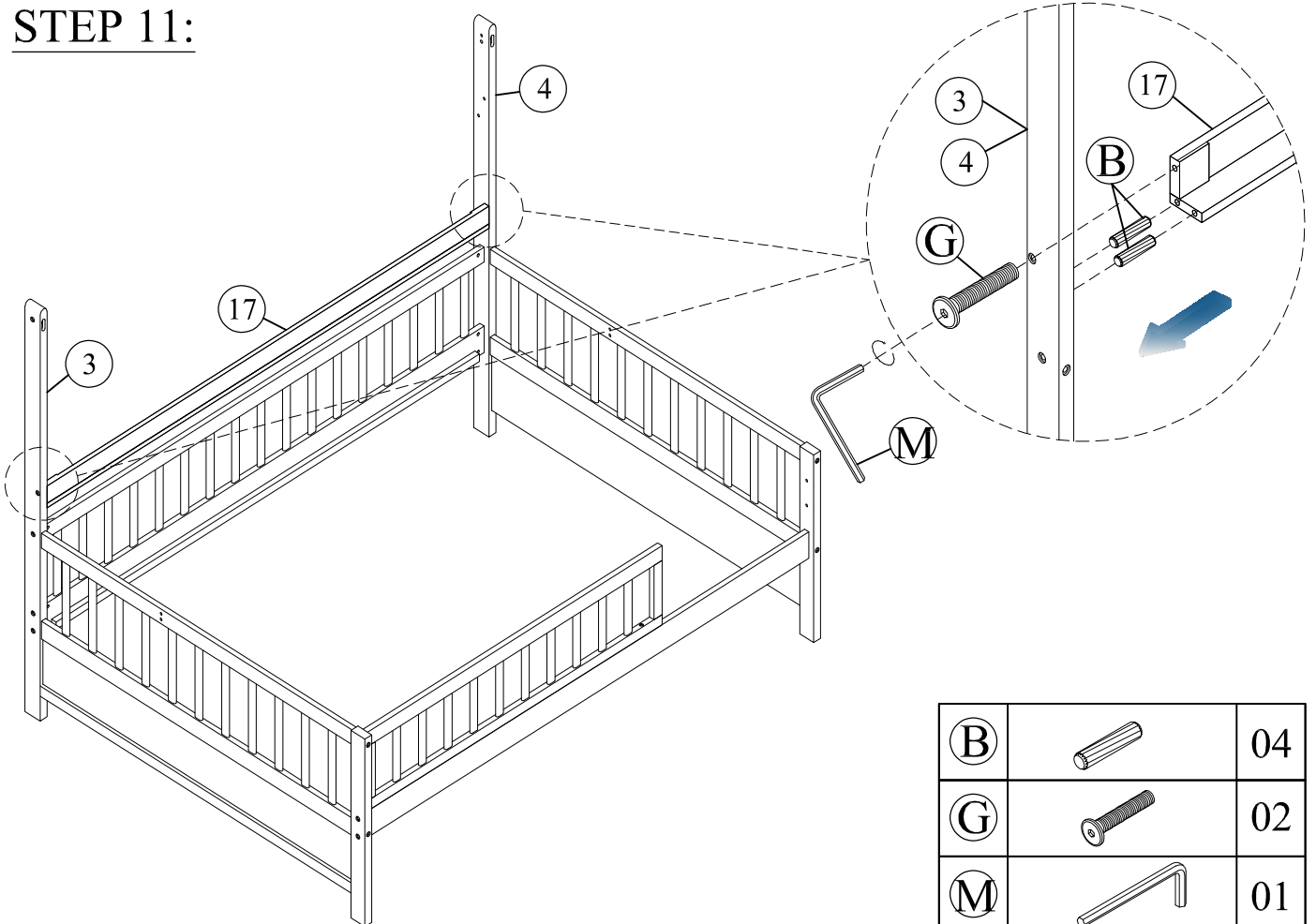


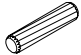
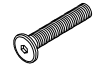
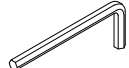
Note :
Do not lock the bolt.

STEP 10:

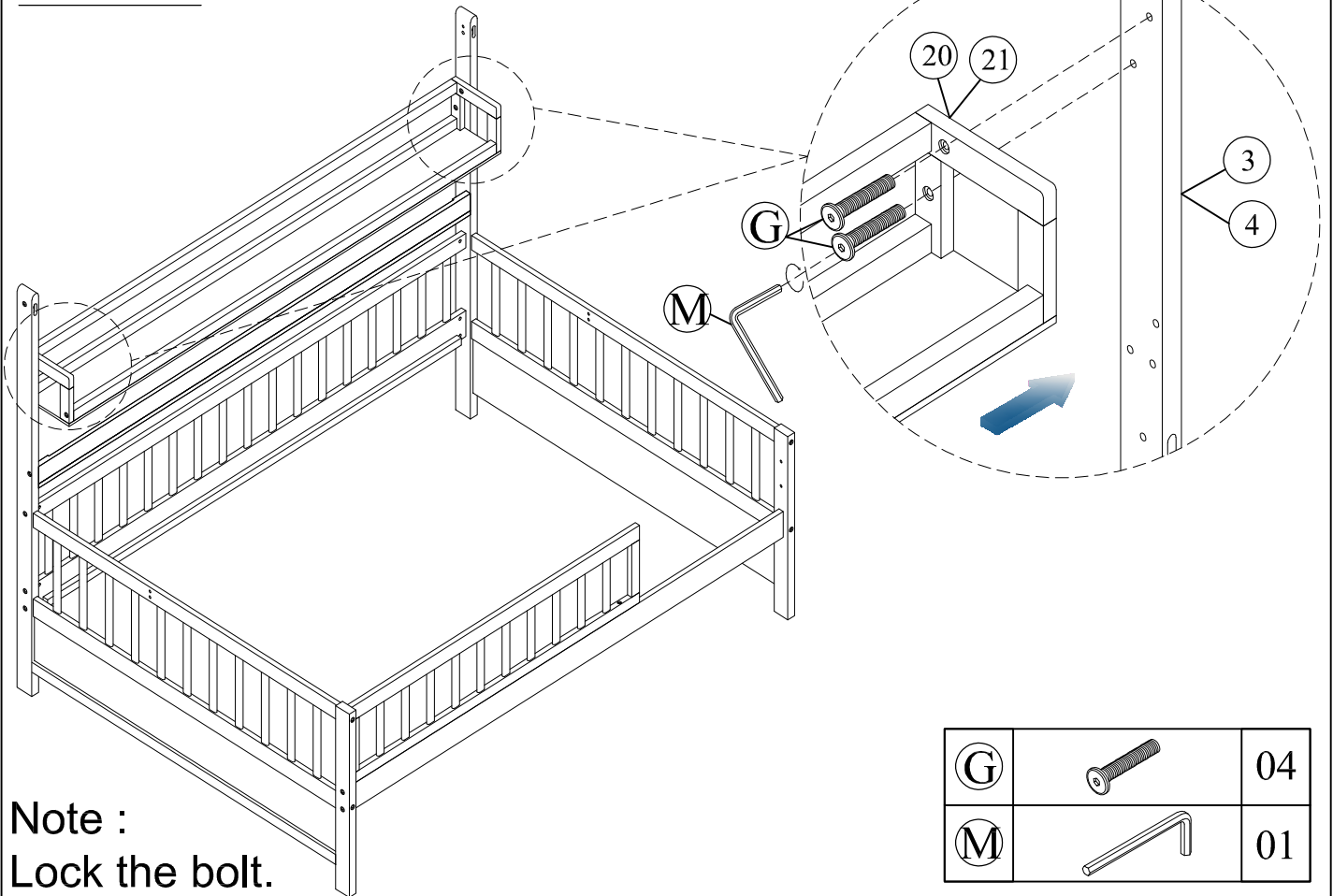


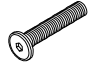
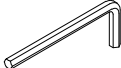
STEP 11:



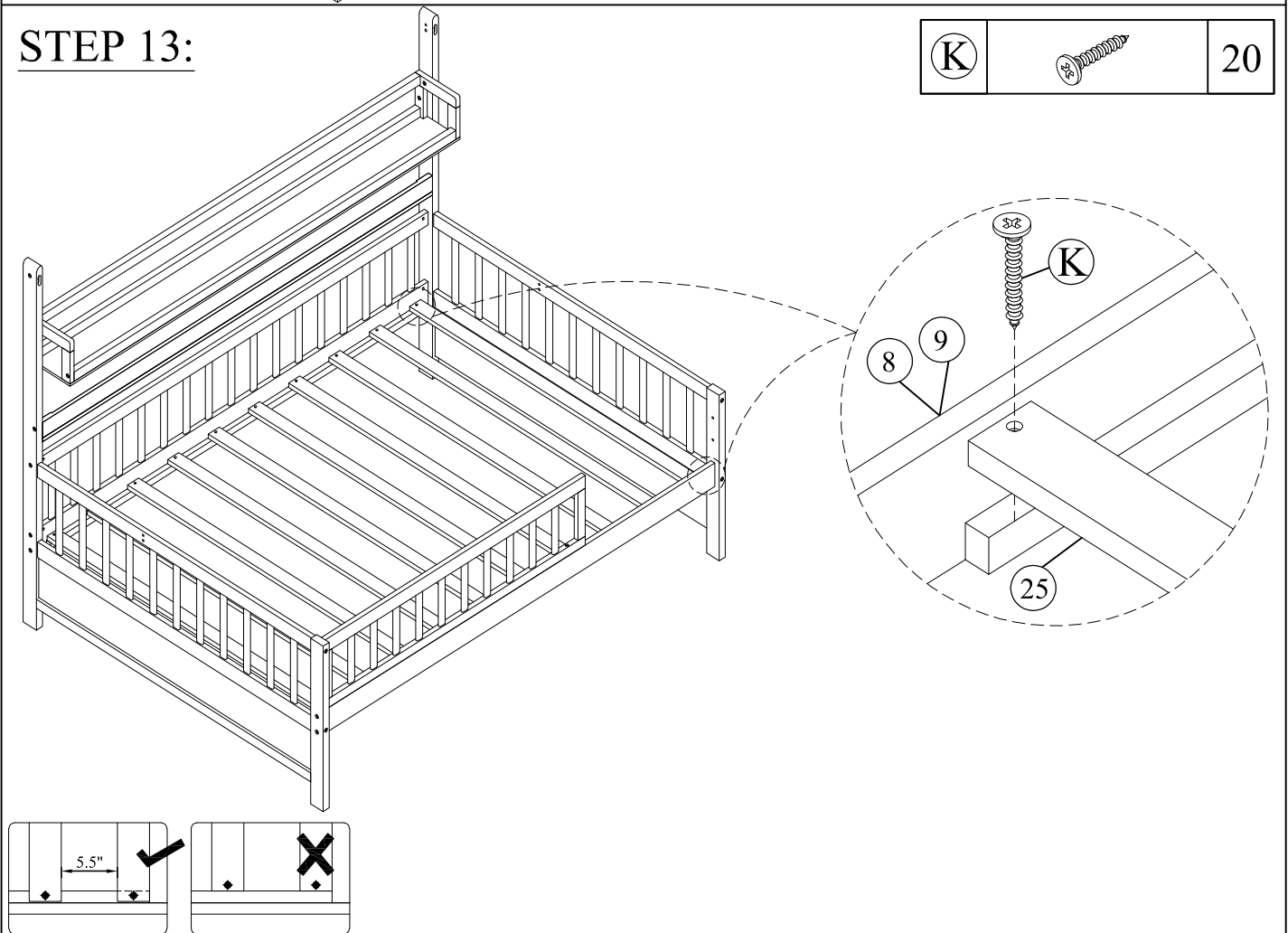
(B)		04
(G)		02
(M)		01

STEP 12:

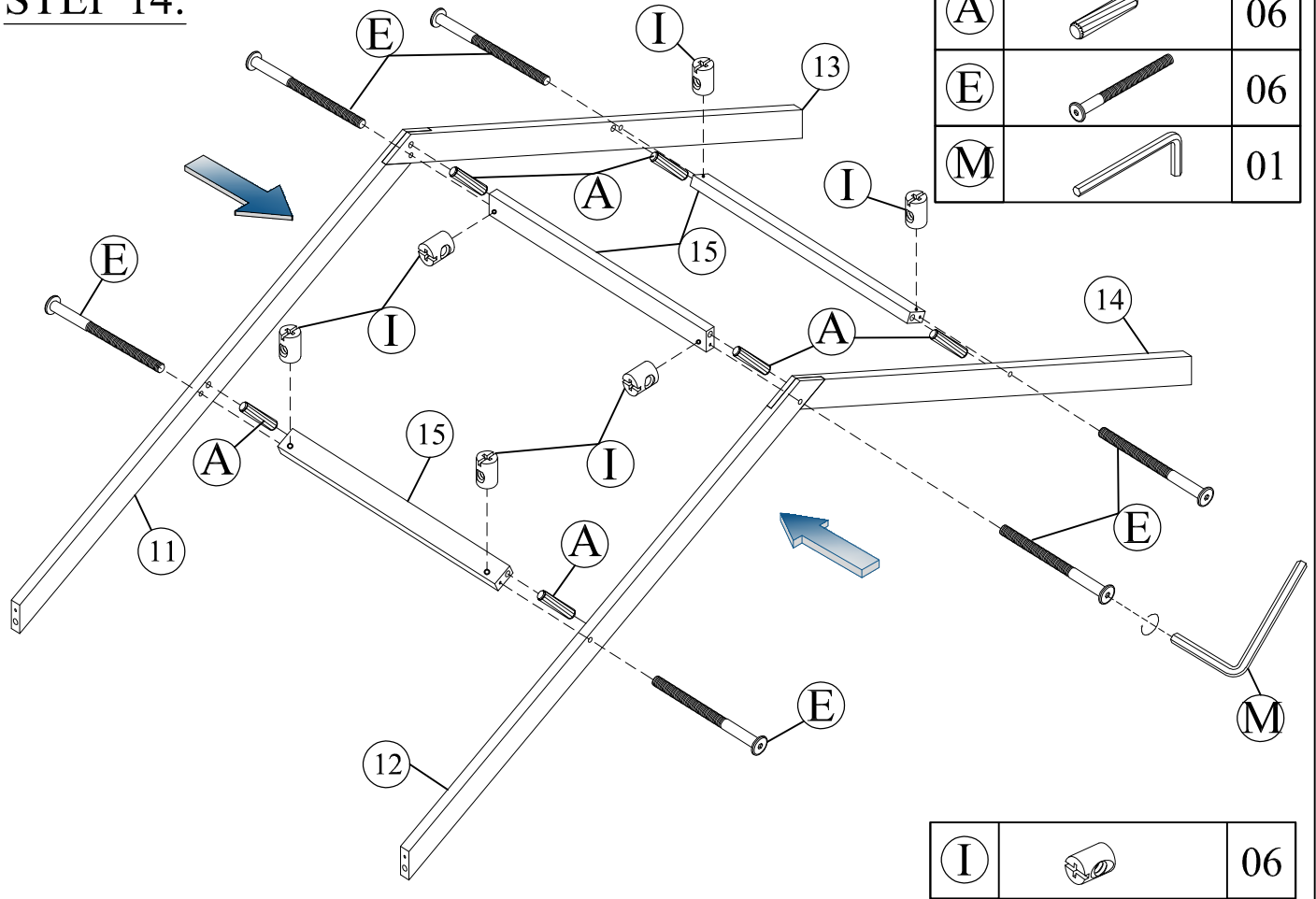


(G)		04
(M)		01

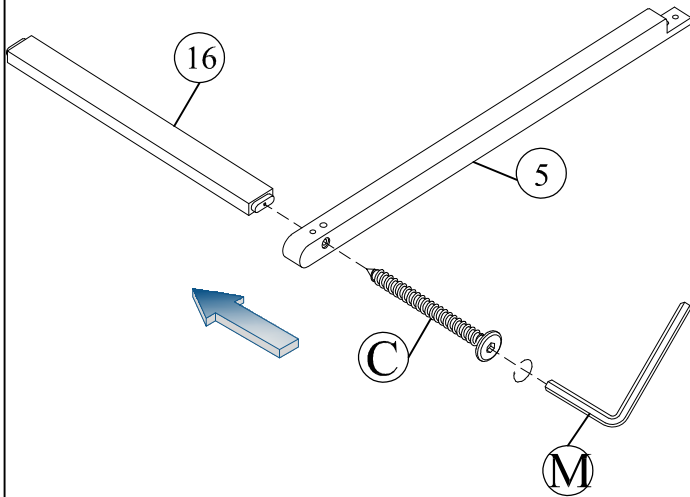
STEP 13:


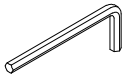


STEP 14:

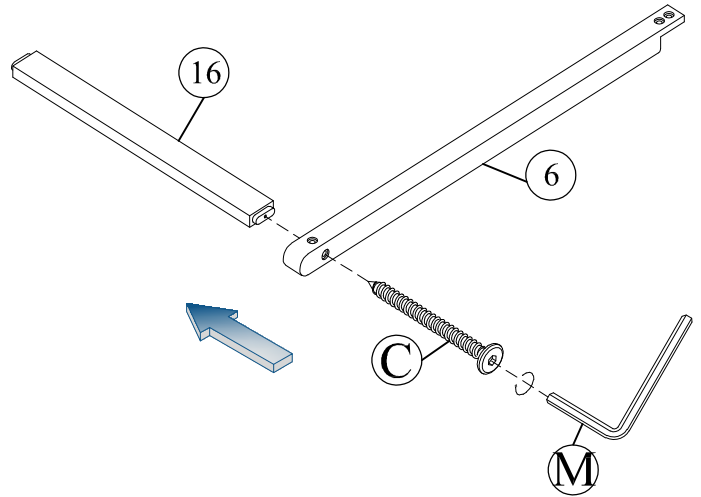



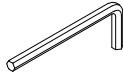
STEP 15:



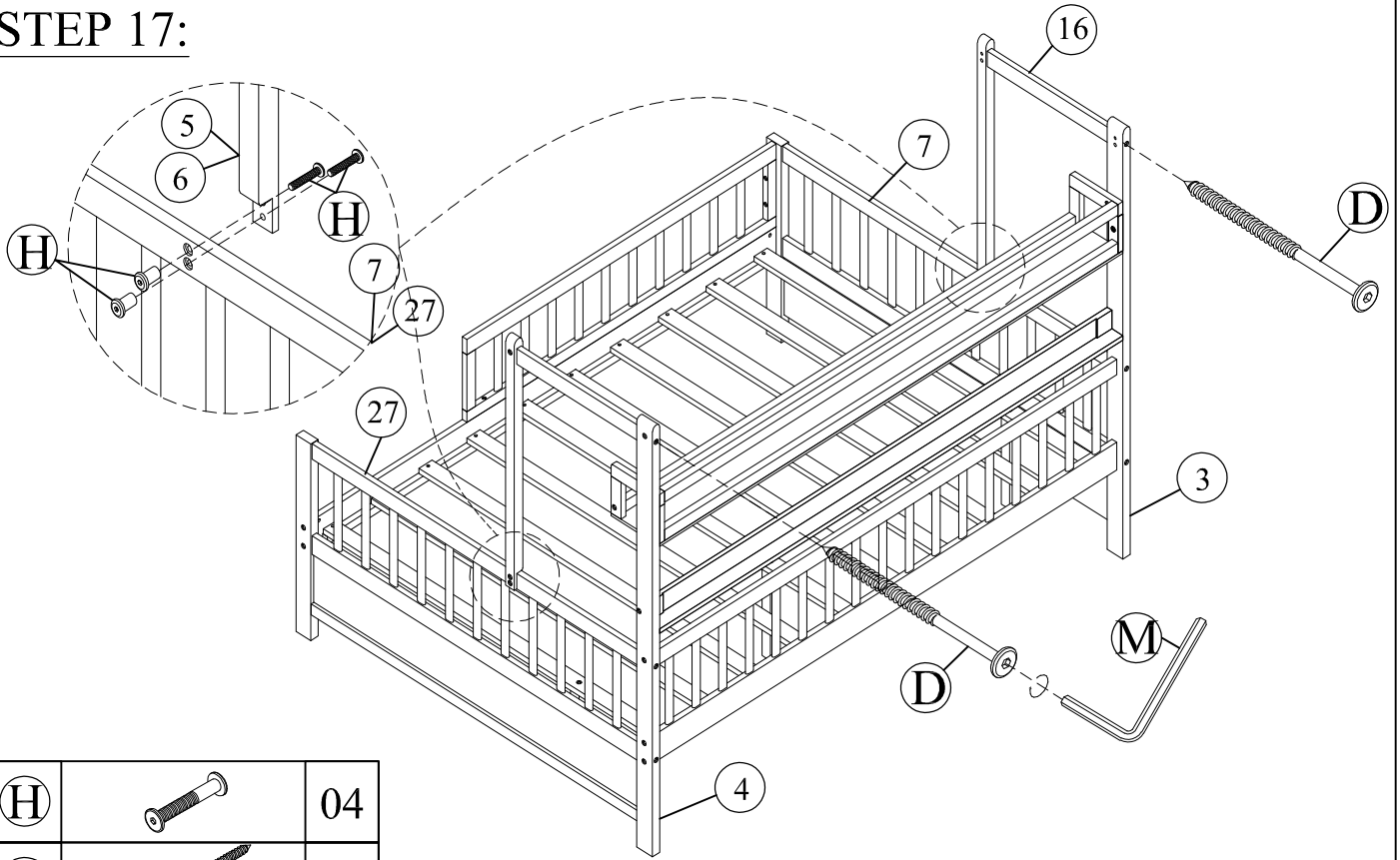
C		01
M		01


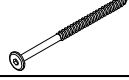

STEP 16:



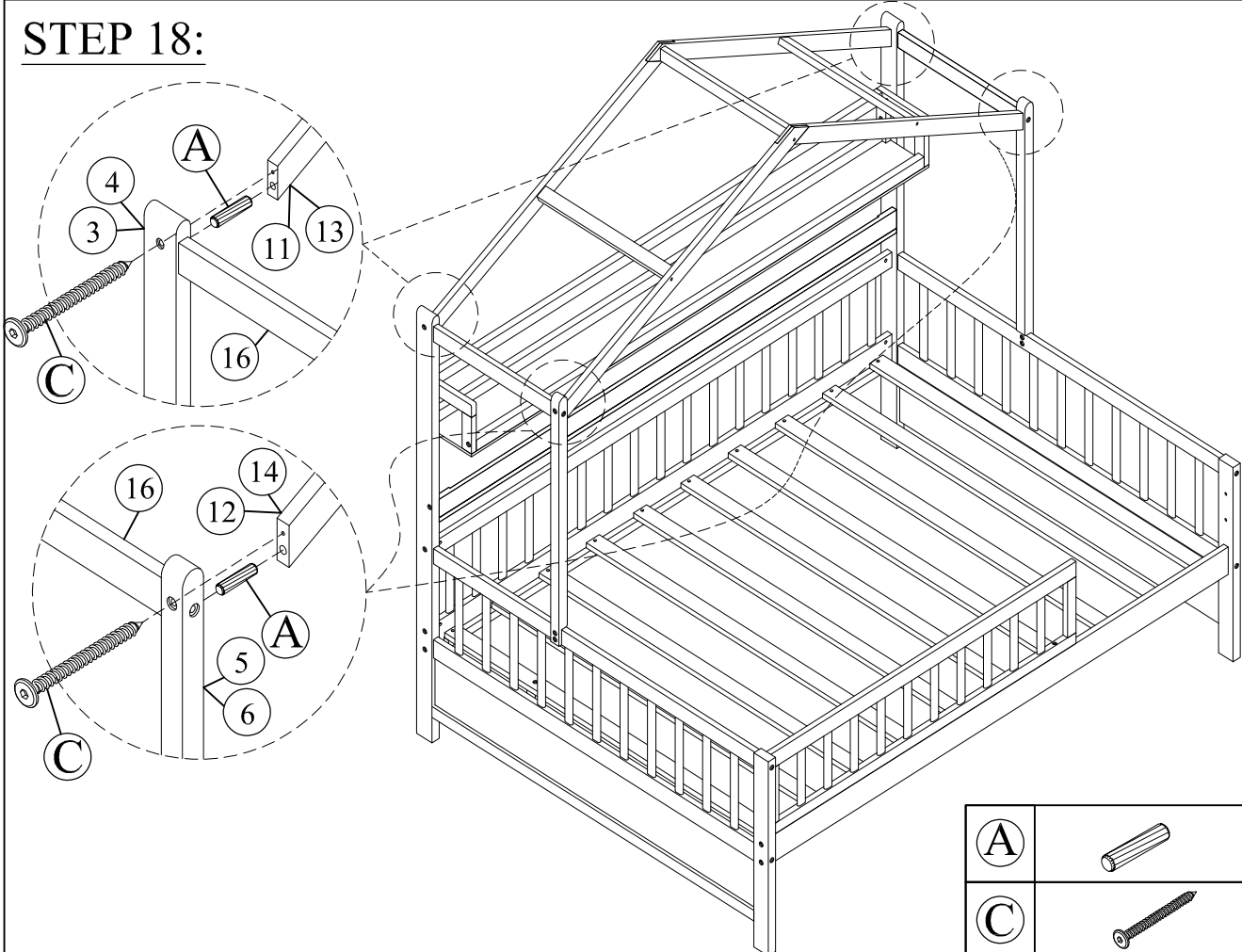
C		01
M		01

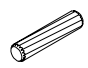
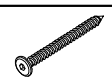
STEP 17:



(H)		04
(D)		02
(M)		01

STEP 18:



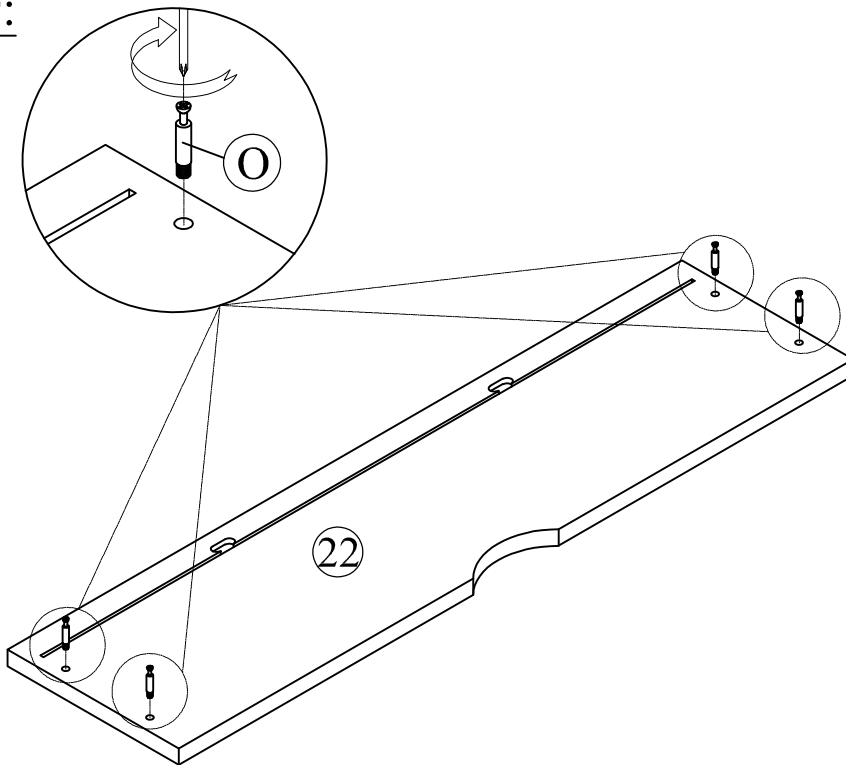
(A)		04
(C)		04

O



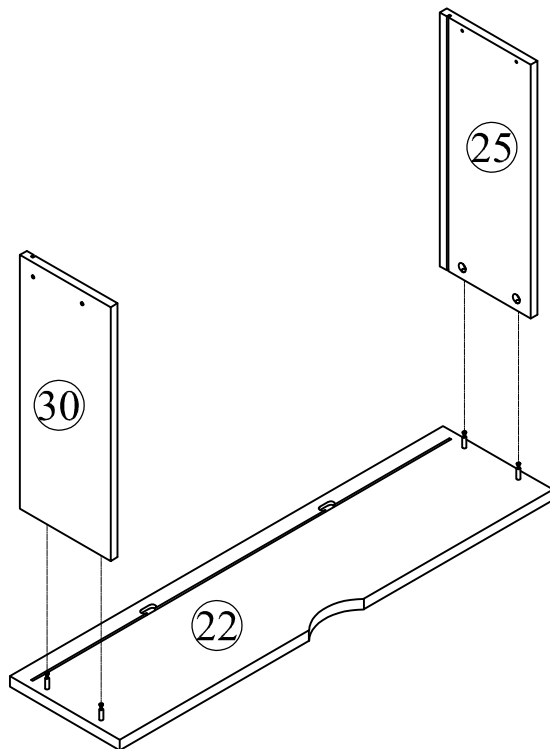
08

STEP 19:



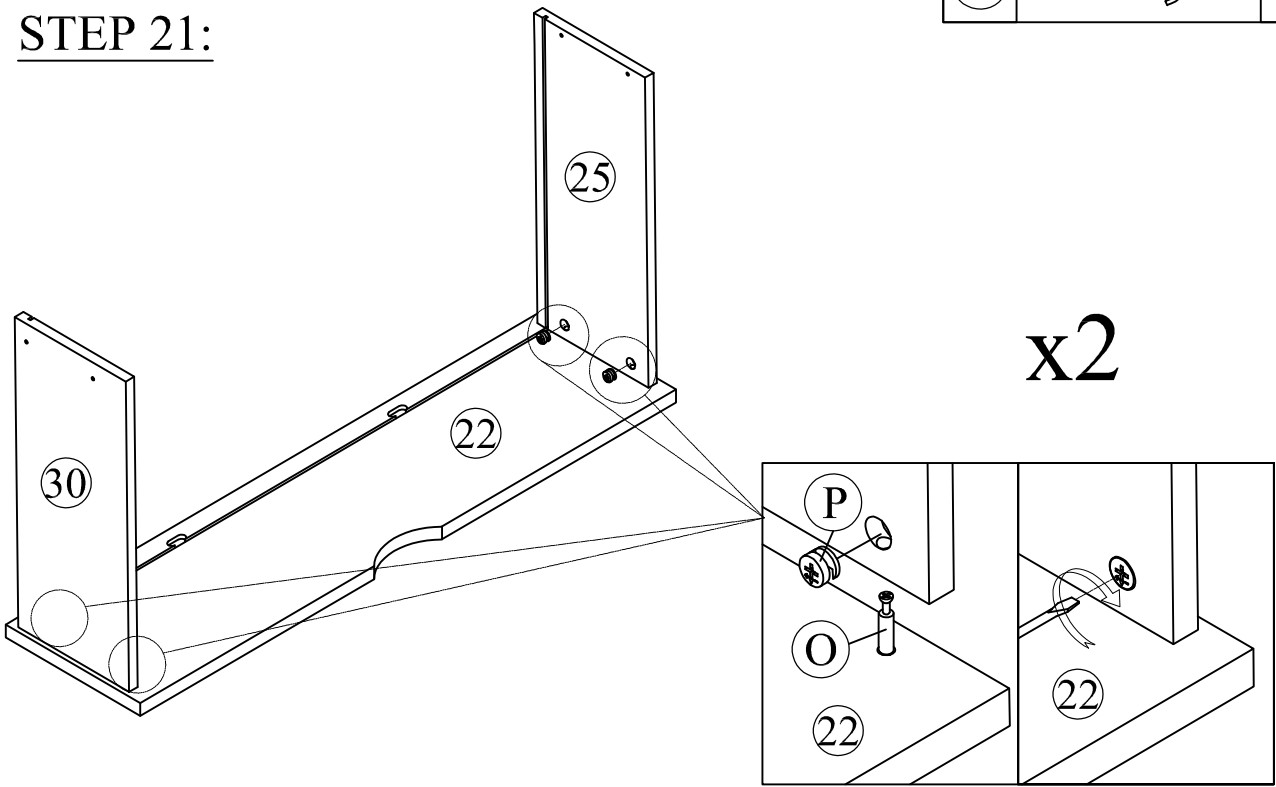
x2

STEP 20:

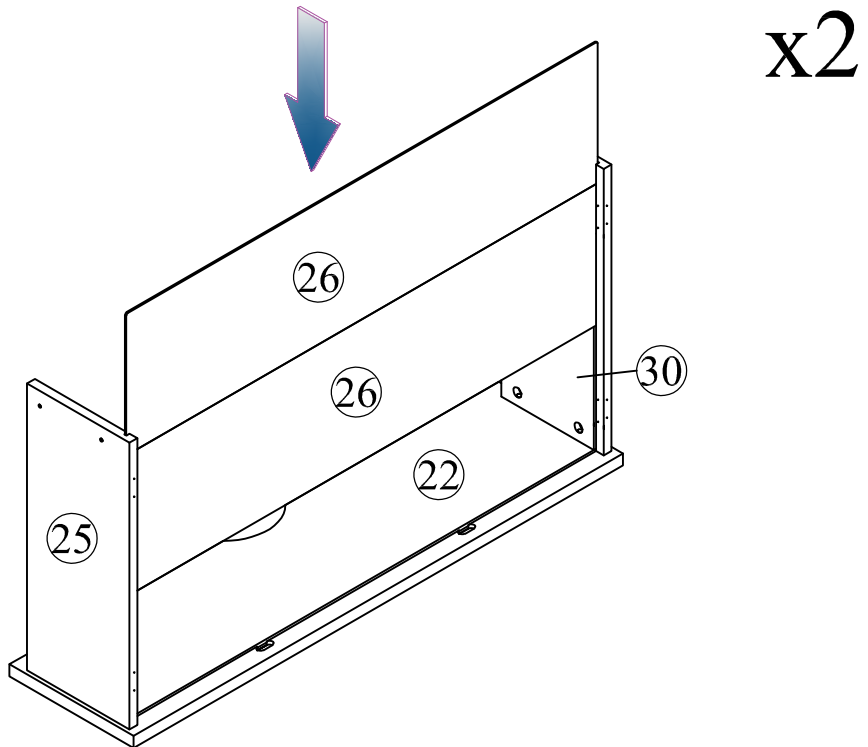


x2

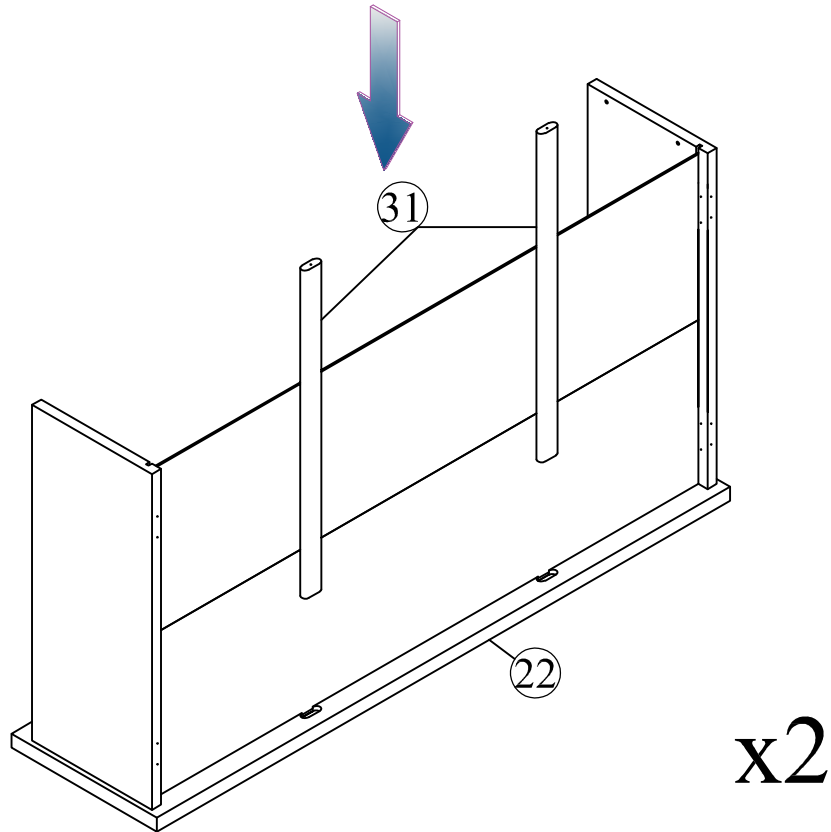
STEP 21:



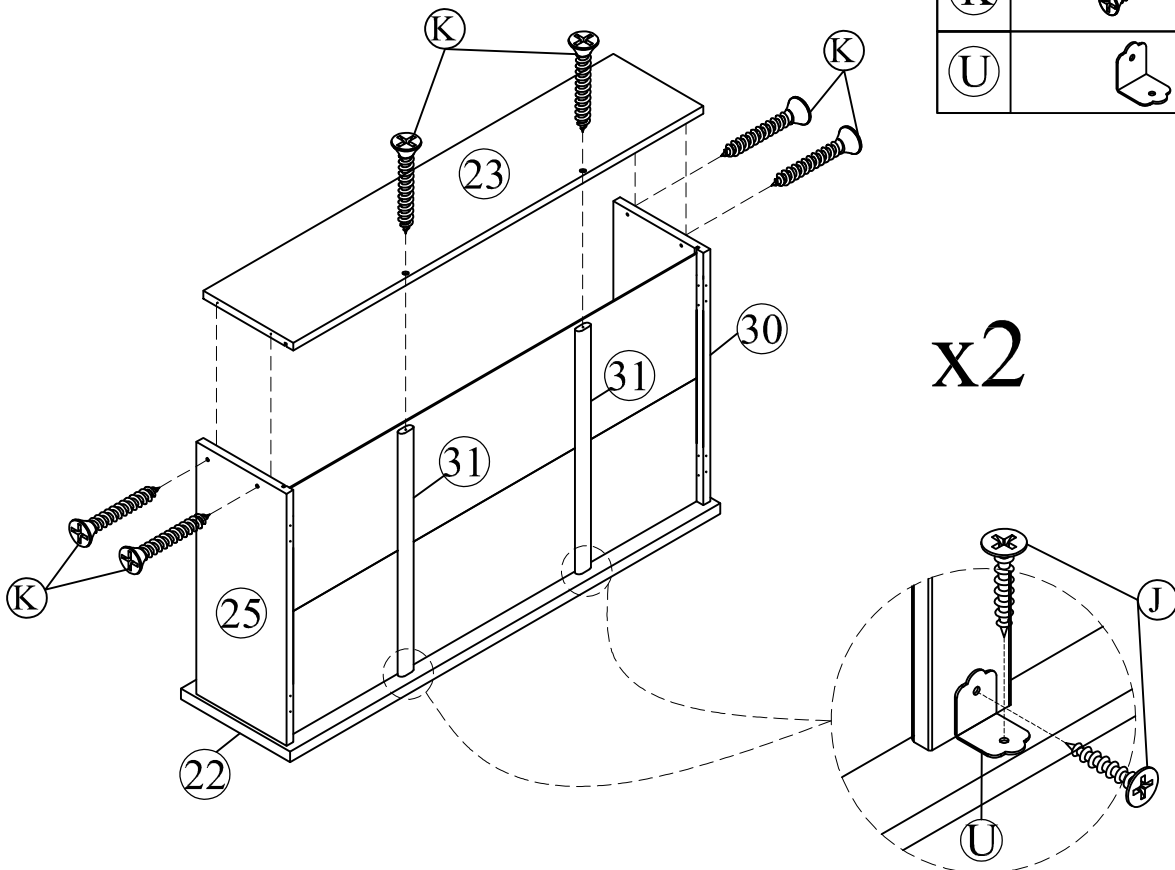
STEP 22:

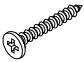




STEP 23:

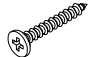



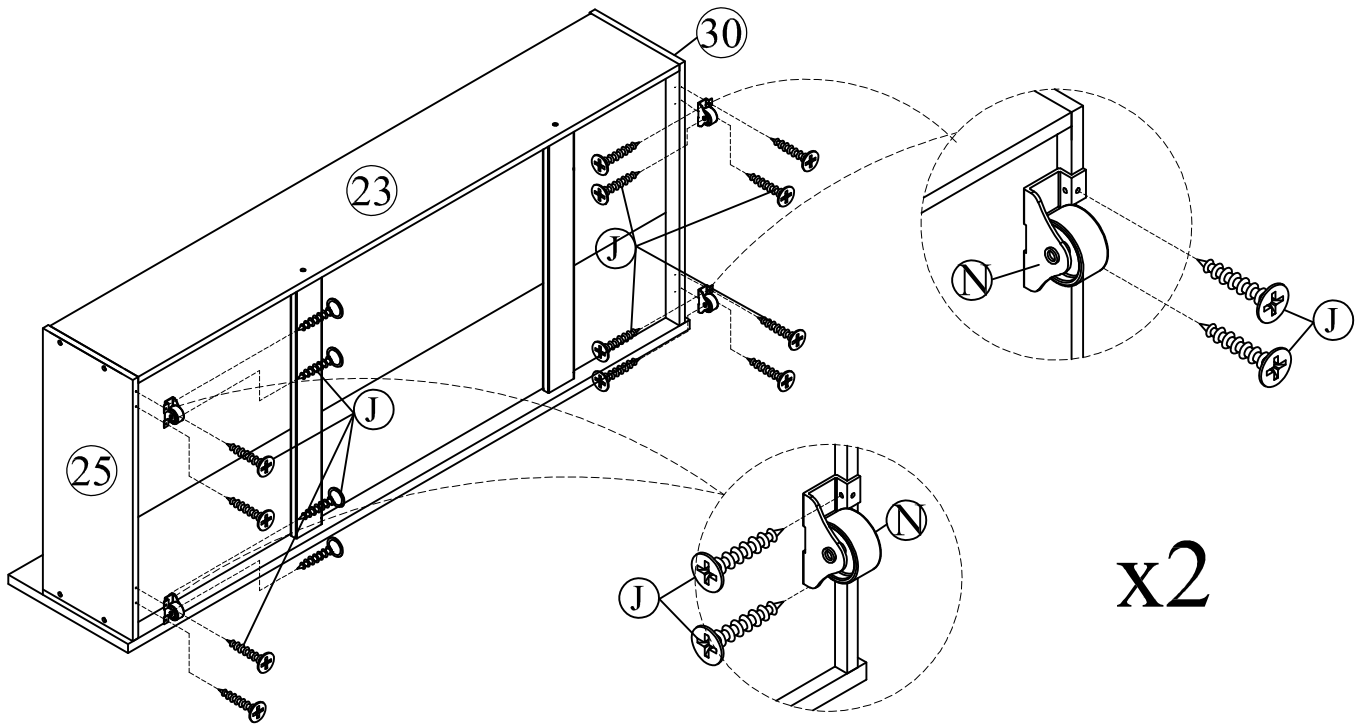
STEP 24:




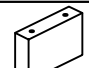
(J)		08
(K)		12
(U)		04

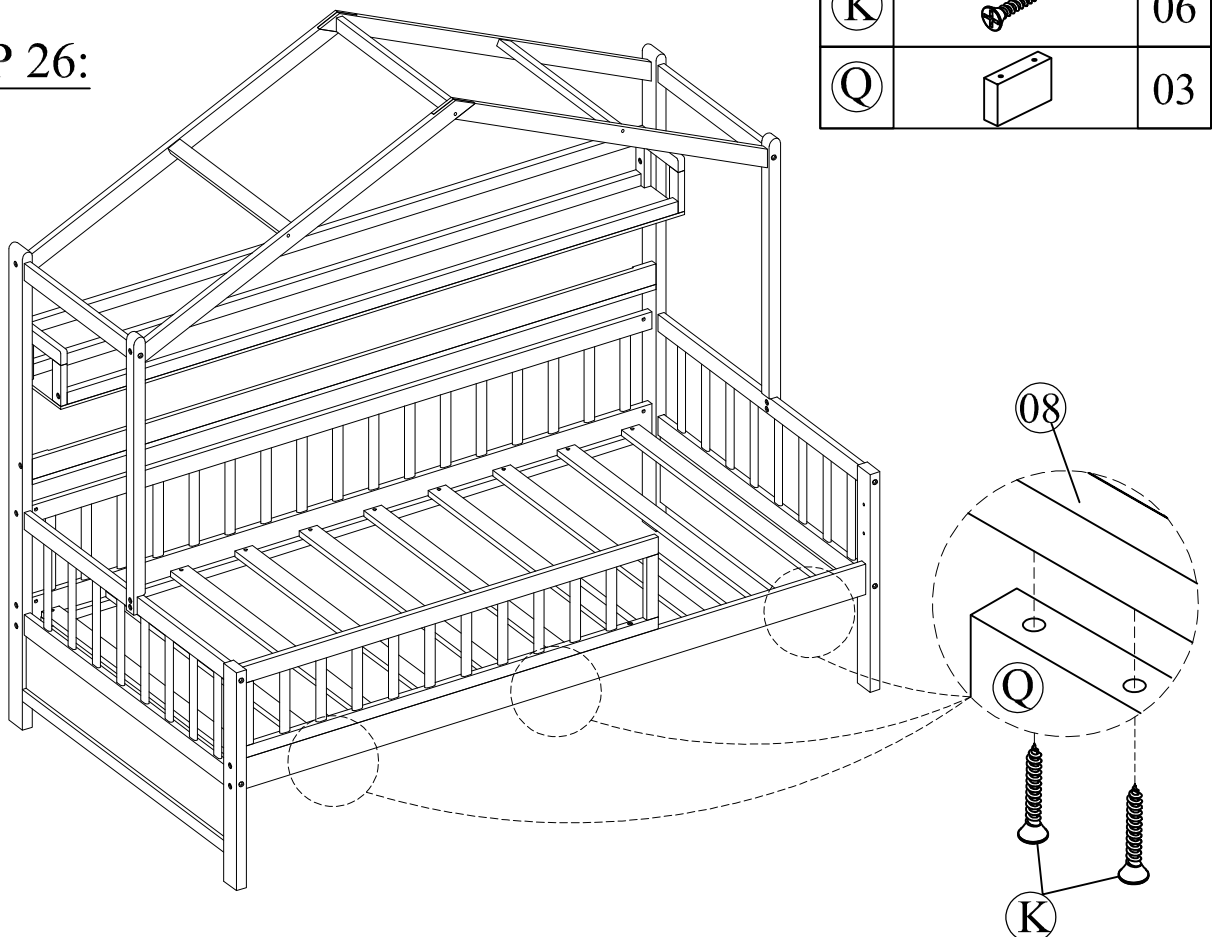
STEP 25:

(J)		32
(N)		08



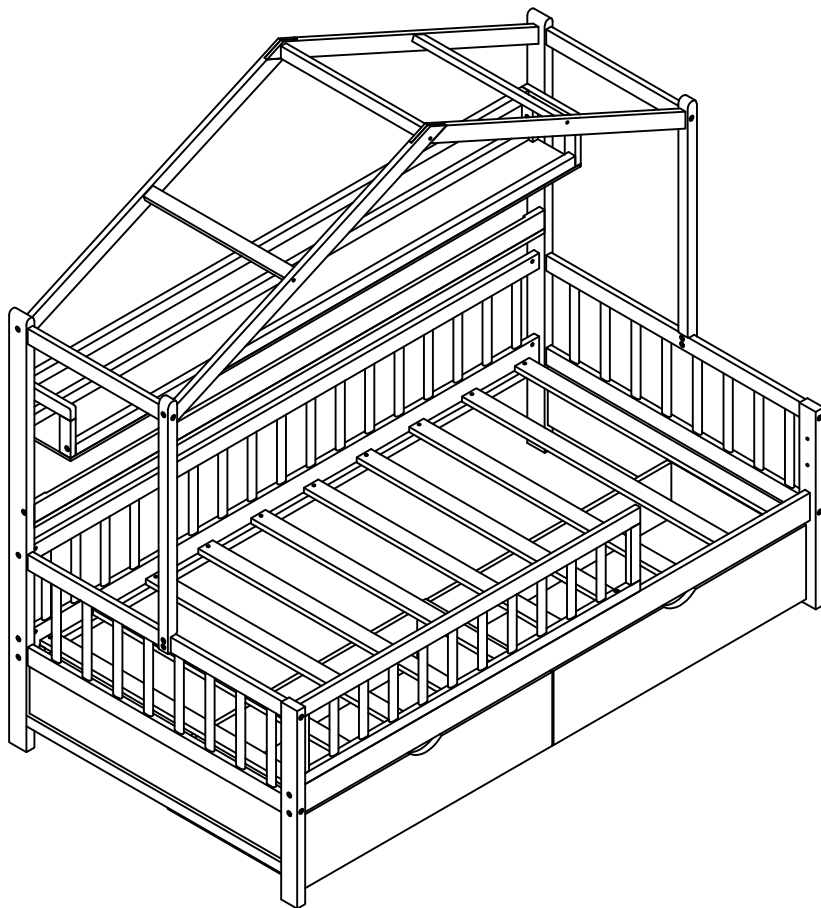
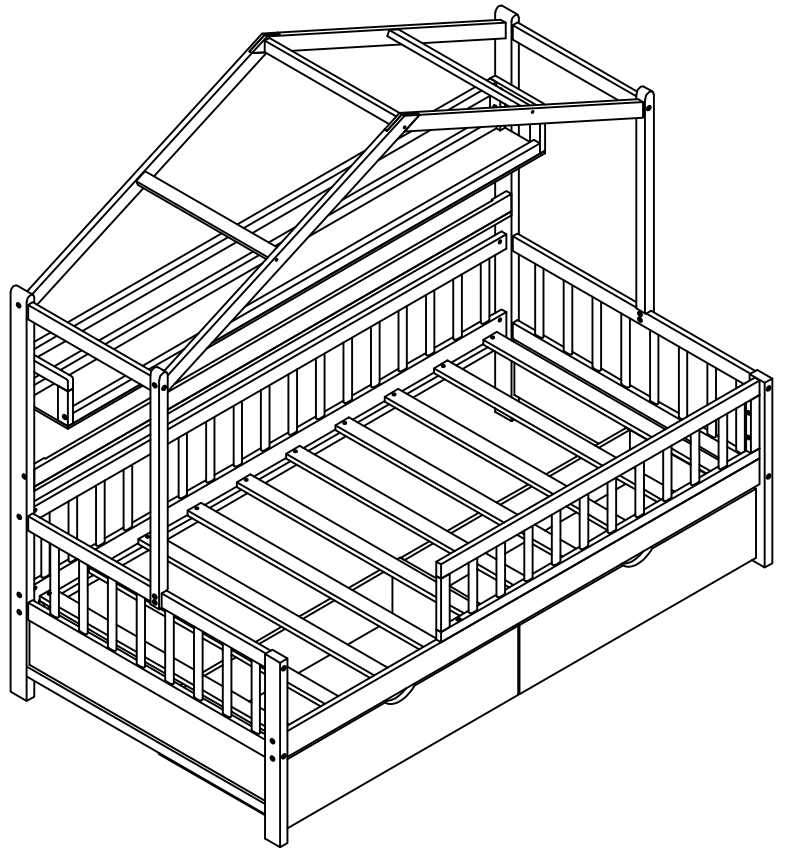
STEP 26:

(K)		06
(Q)		03



FINAL:

OPTION 1



OPTION 2