

FULL/QUEEN BED ASSEMBLY INSTRUCTION

Thank you for purchasing this quality product. Be sure to check all packing material carefully for small parts which may have come loose inside the carton during shipment. Separate, identify and count all parts and hardware. Compare with the parts list to be sure all parts are present.

IMPORTANT : PLEASE READ INSTRUCTION BEFORE STARTING THE ASSEMBLY.

"DO NOT TIGHTEN SCREWS UNTIL COMPLETELY ASSEMBLED"

"DO NOT OVERTIGHT ANY HARDWARE"

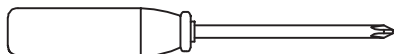
WARNING : SMALL PARTS AND HARDWARE NOT FOR CHILDREN UNDER 3 YEARS. ADULT ASSEMBLY REQUIRED.

TABLE OF CONTENTS

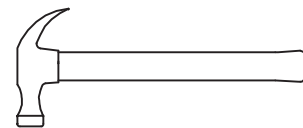
HARDWARES LIST	PAGE 2
PARTS LIST	PAGE 3 - 4
PARTS' LOCATION	PAGE 5
ASSEMBLY STEPS	PAGE 6 - 9
ASSEMBLY COMPLETED	PAGE 9

ASSEMBLY TOOLS REQUIRED

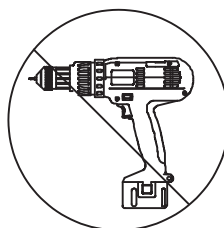
1. Screwdriver (not provide)



2. Hammer (not provide)



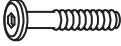
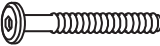










Skip the power drill this time.



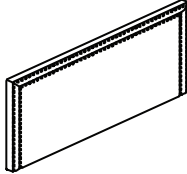
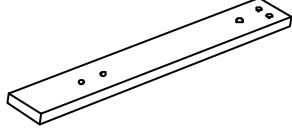
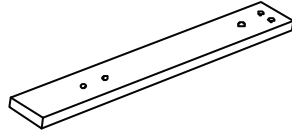
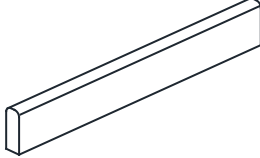
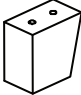
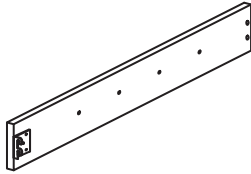
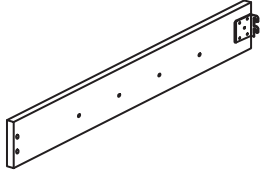
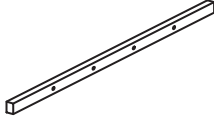

FULL/QUEEN BED ASSEMBLY INSTRUCTION

HARDWARES LIST

ITEM	DESCRIPTION	DRAWING	QTY
A	JCBC SCREW M8 x 20MM		8 PCS
B	JCBC SCREW M6 x 25MM		8 PCS
C	JCBC SCREW M6 x 35MM		16 PCS
D	JCBC SCREW M6 x 50MM		6 PCS
E	JCBC SCREW M6 x 70MM		2 PCS
F	WOOD DOWEL M8 x 30MM		2 PCS
G	SPRING WASHER M6 x 13MM		30 PCS
H	FLAT WASHER M6 x 19MM		30 PCS
I	CSK C/B SCREW (M4 x 32MM)		8 PCS
J	M5 ALLEN KEY (65MM)		1 PC
K	M4 ALLEN KEY (100MM)		1 PC
L	SUPPORT LEG ADJUSTABLE FEET		4 PCS

FULL/QUEEN BED ASSEMBLY INSTRUCTION

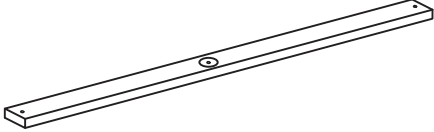

PARTS LIST

ITEM	DESCRIPTION	DRAWING	QTY
1	HEADBOARD		1 PC
2	HEADBOARD LEG WITH LABEL "L"		1 PC
3	HEADBOARD LEG WITH LABEL "R"		1 PC
4	FOOTBOARD		1 PC
5	FOOTBOARD LEG		2 PCS
6	SIDE RAIL (L)		2 PCS
7	SIDE RAIL (R)		2 PCS
8	SIDE RAIL SUPPORT		4 PCS
9	SIDE RAIL LEG		2 PCS

MORE PARTS DETAIL IN NEXT PAGE...

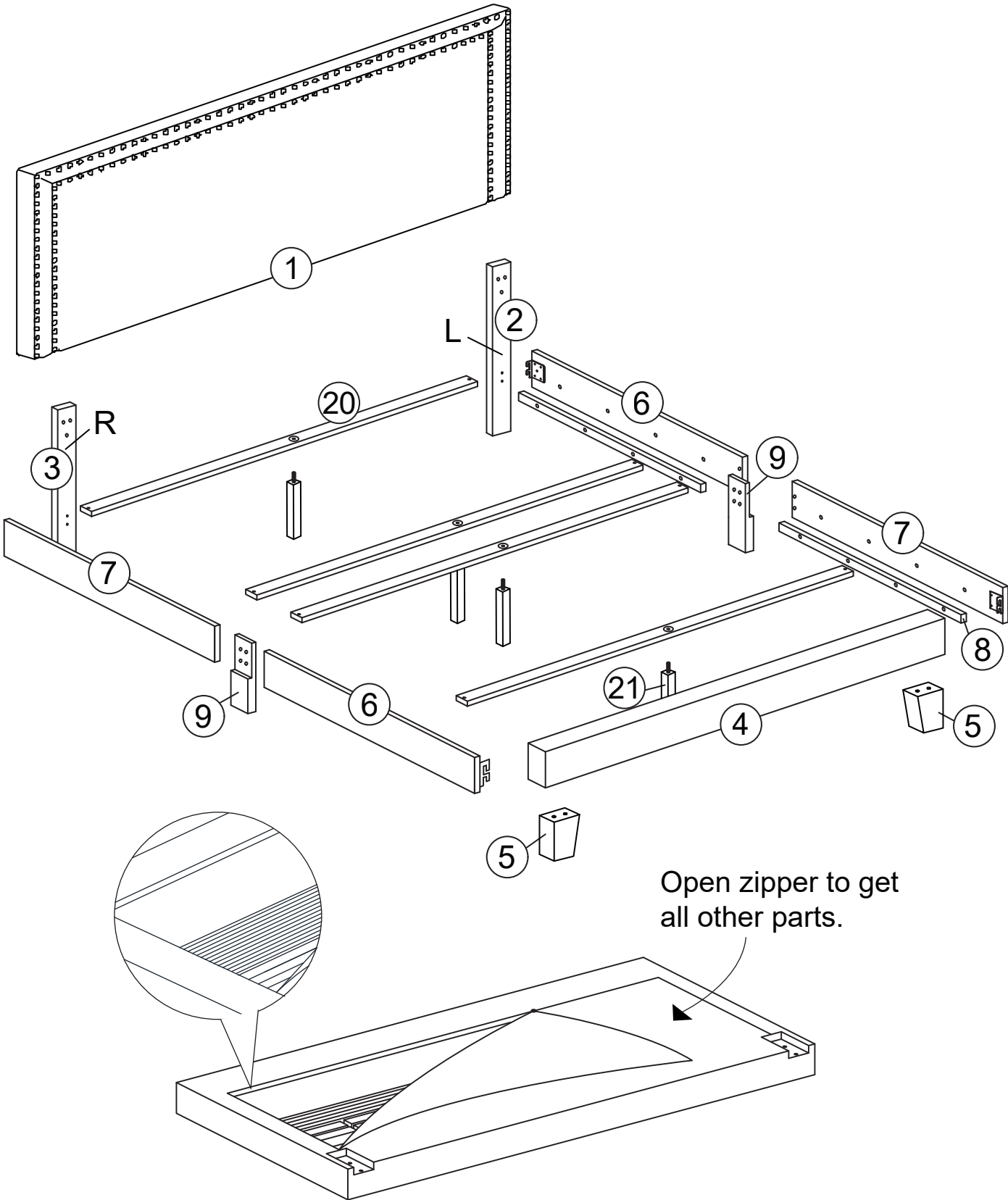
FULL/QUEEN BED ASSEMBLY INSTRUCTION

PARTS LIST

ITEM	DESCRIPTION	DRAWING	QTY
20	SLAT		4 PCS
21	SUPPORT LEG WITH HANGER BOLT		4 PCS

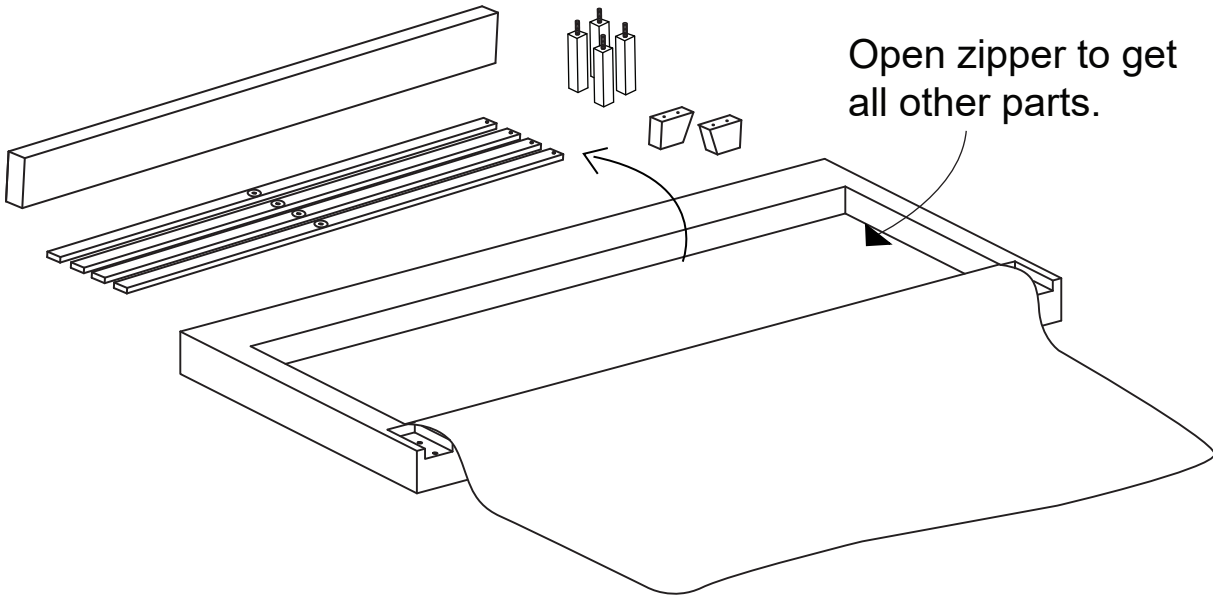
FULL/QUEEN BED ASSEMBLY INSTRUCTION

PARTS ' LOCATION

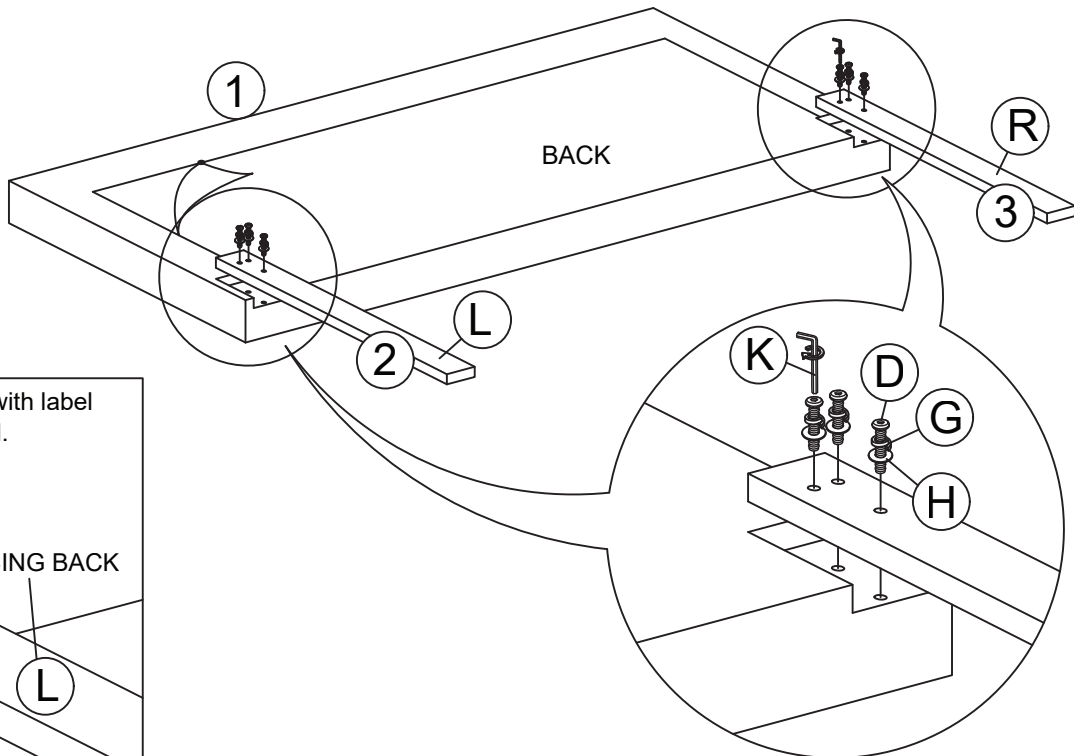


FULL/QUEEN BED ASSEMBLY INSTRUCTION

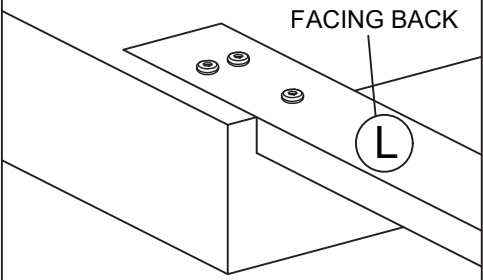
STEP 1



STEP 2

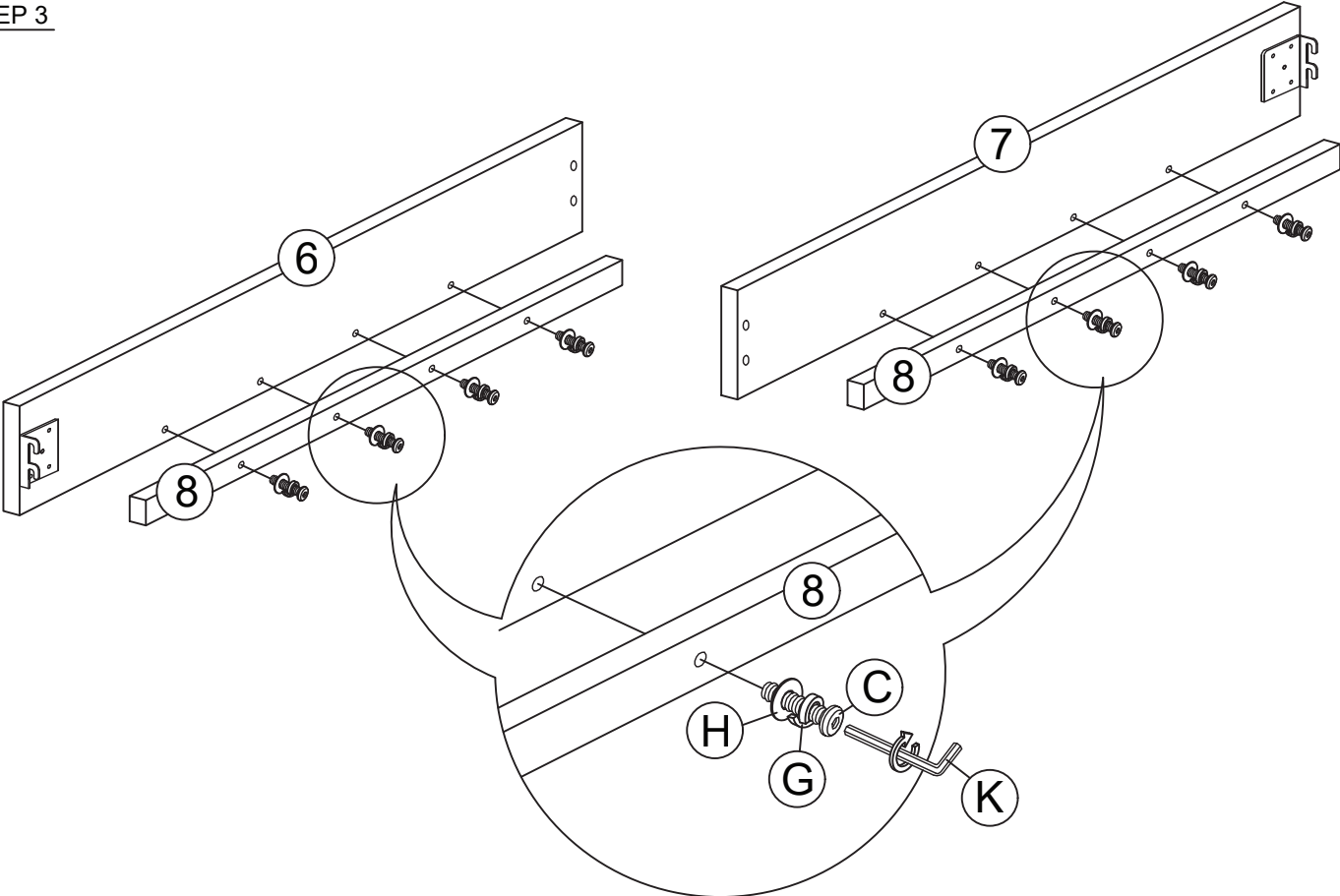


REMARK : Headboard leg with label facing backward.

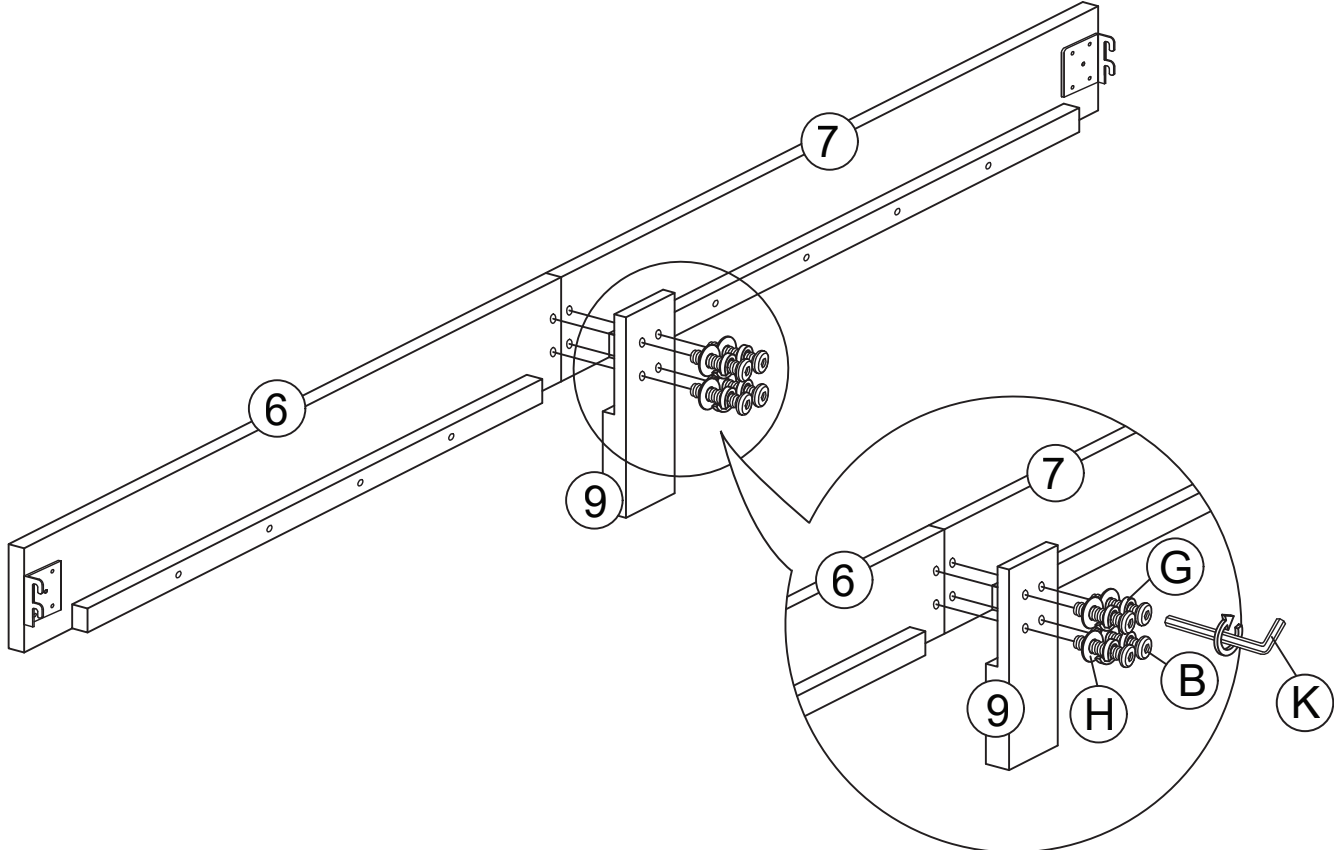


FULL/QUEEN BED ASSEMBLY INSTRUCTION

STEP 3

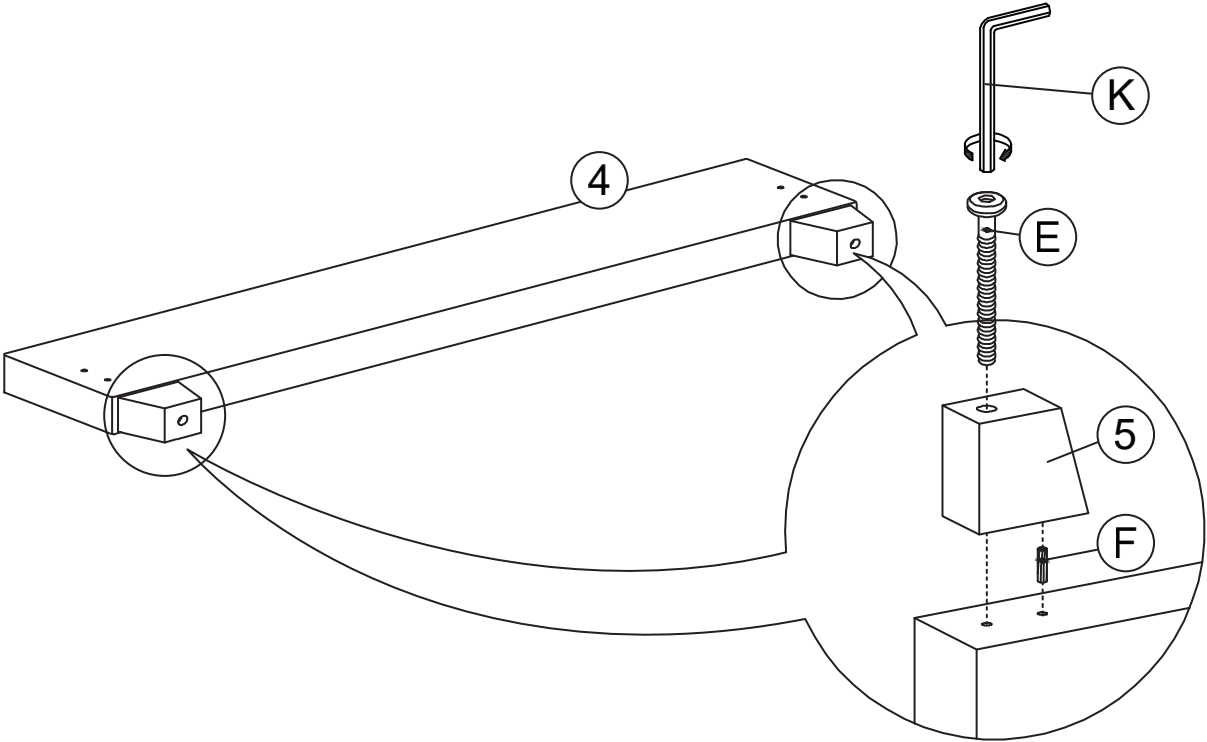


STEP 4

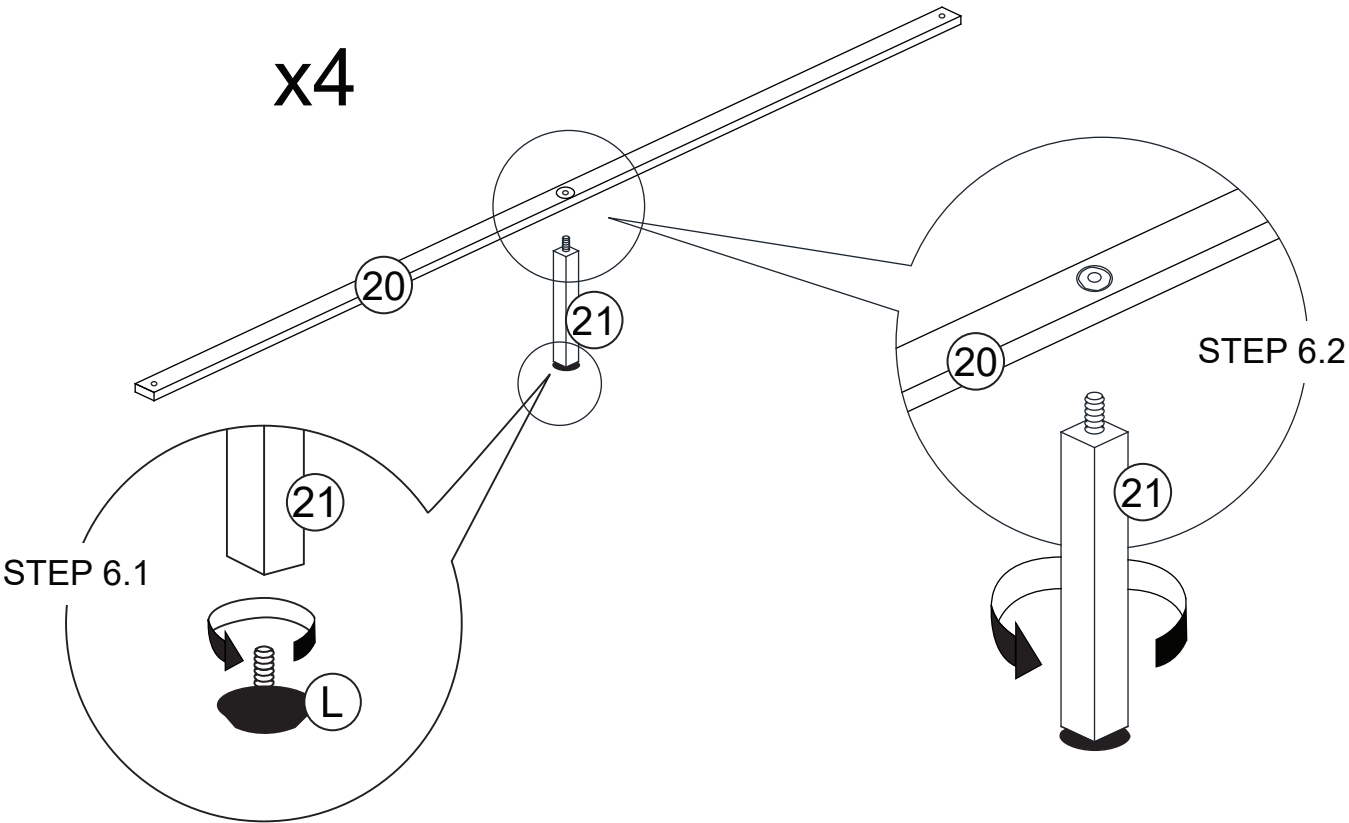


FULL/QUEEN BED ASSEMBLY INSTRUCTION

STEP 5

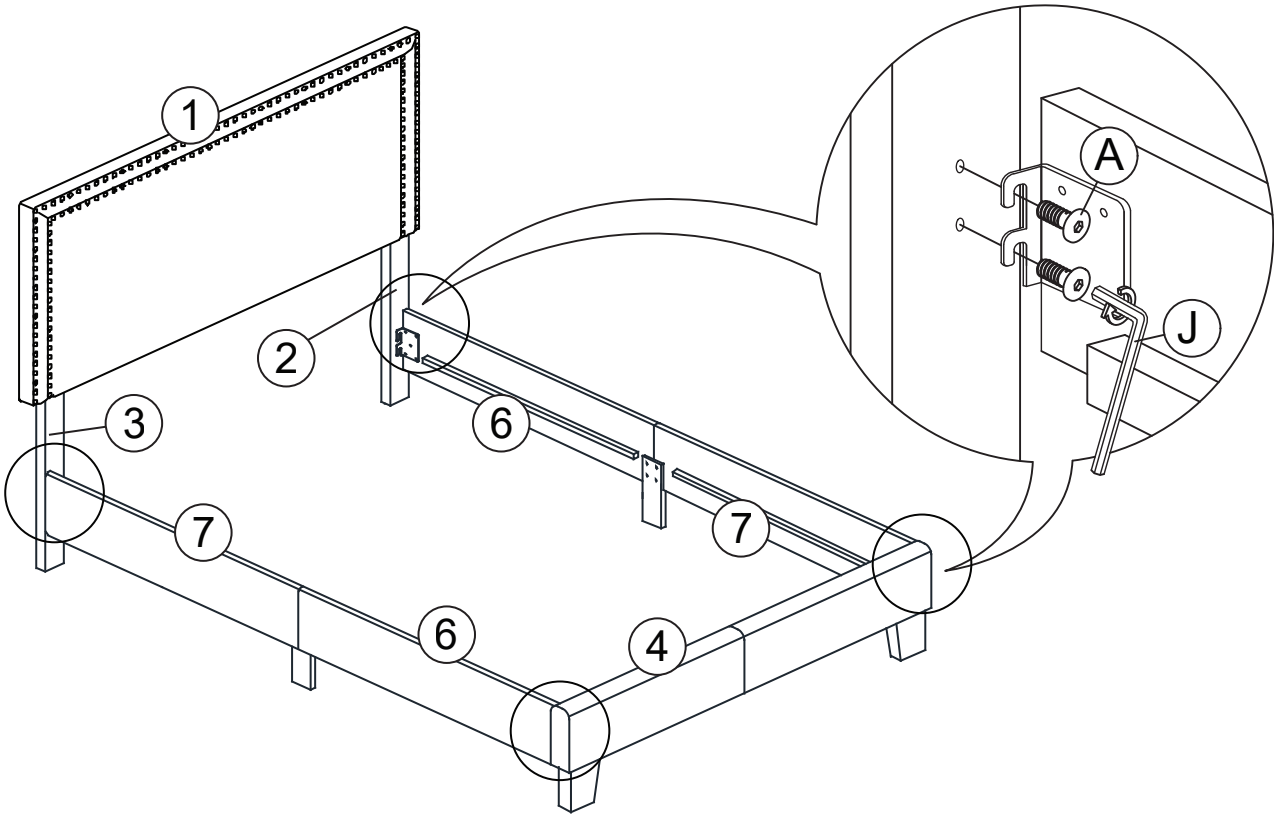


STEP 6

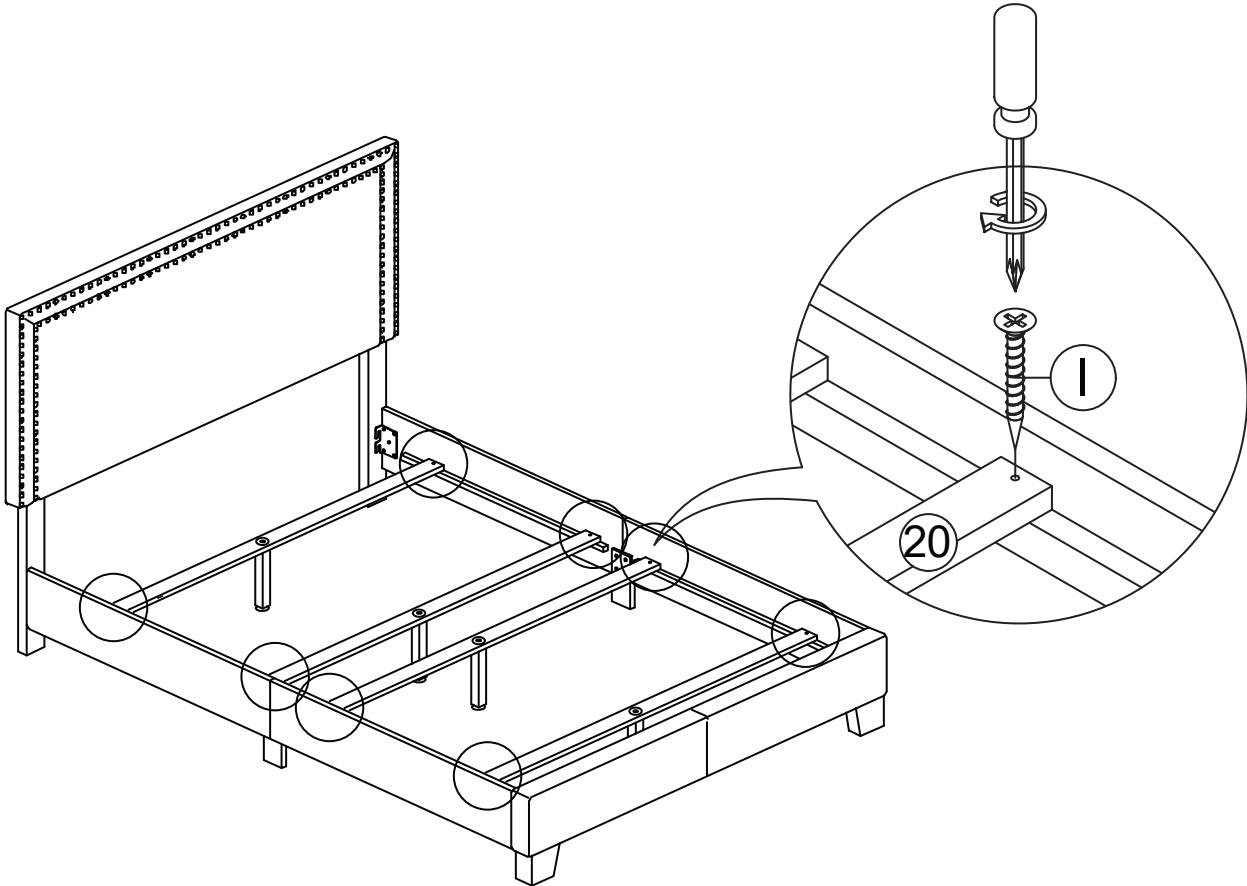


FULL/QUEEN BED ASSEMBLY INSTRUCTION

STEP 7

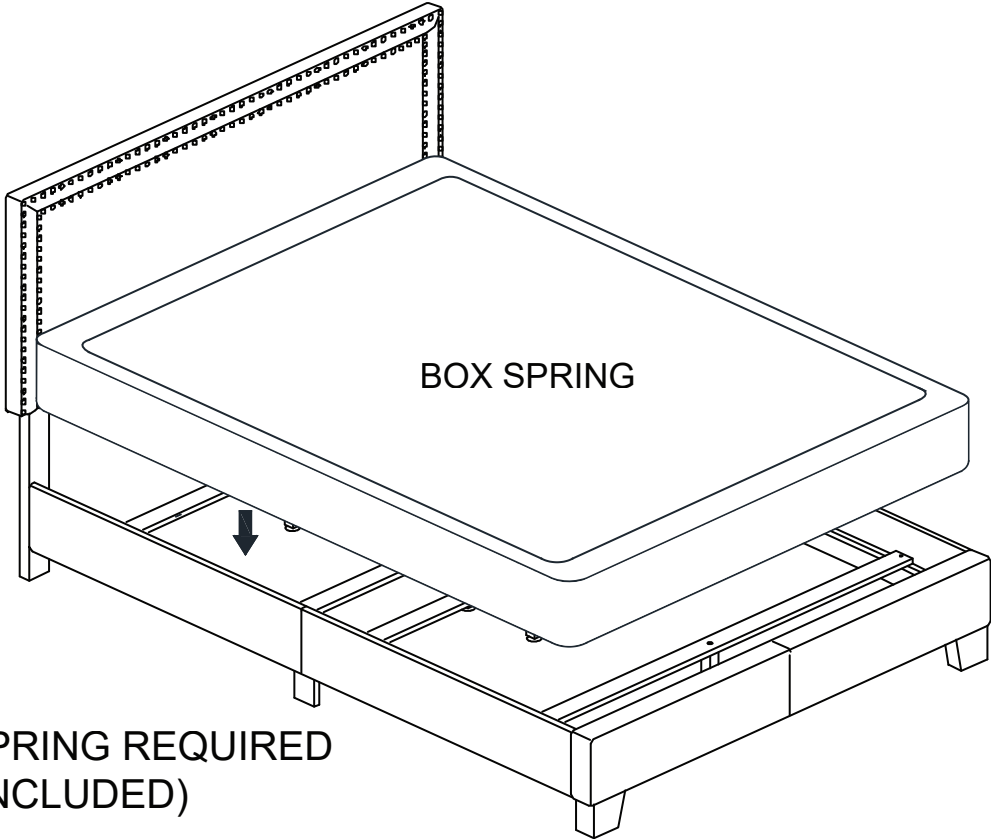


STEP 8



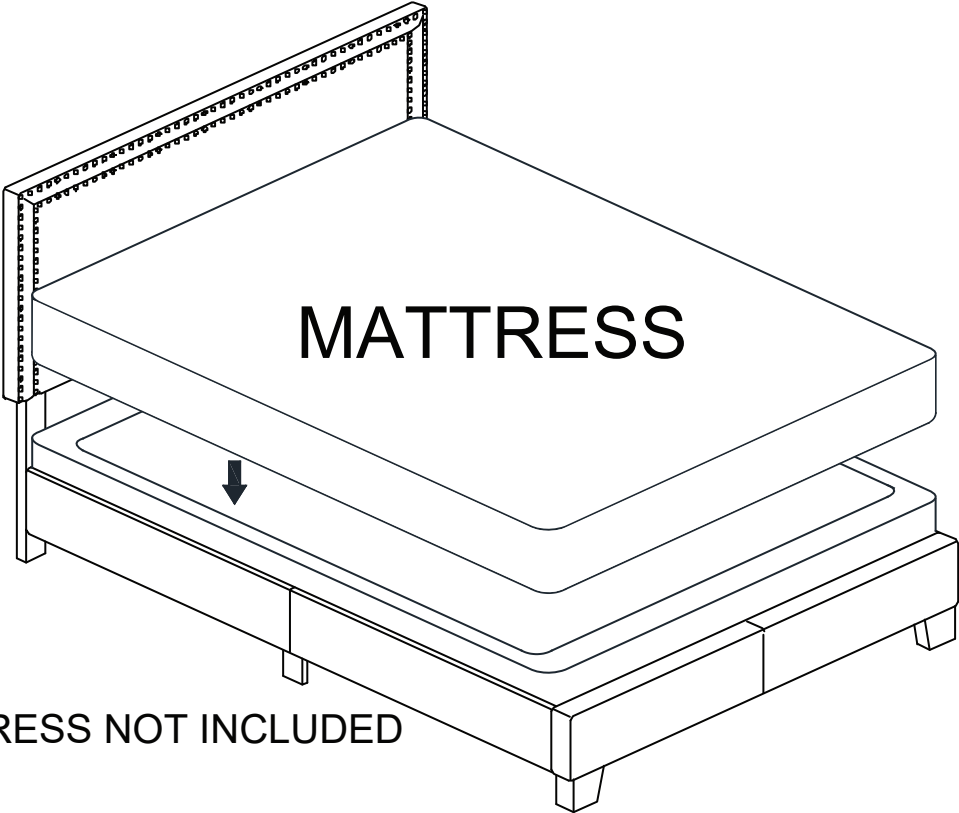
FULL/QUEEN BED ASSEMBLY INSTRUCTION

STEP 9



**BOX SPRING REQUIRED
(NOT INCLUDED)**

STEP 10



MATTRESS NOT INCLUDED

ASSEMBLY COMPLETED