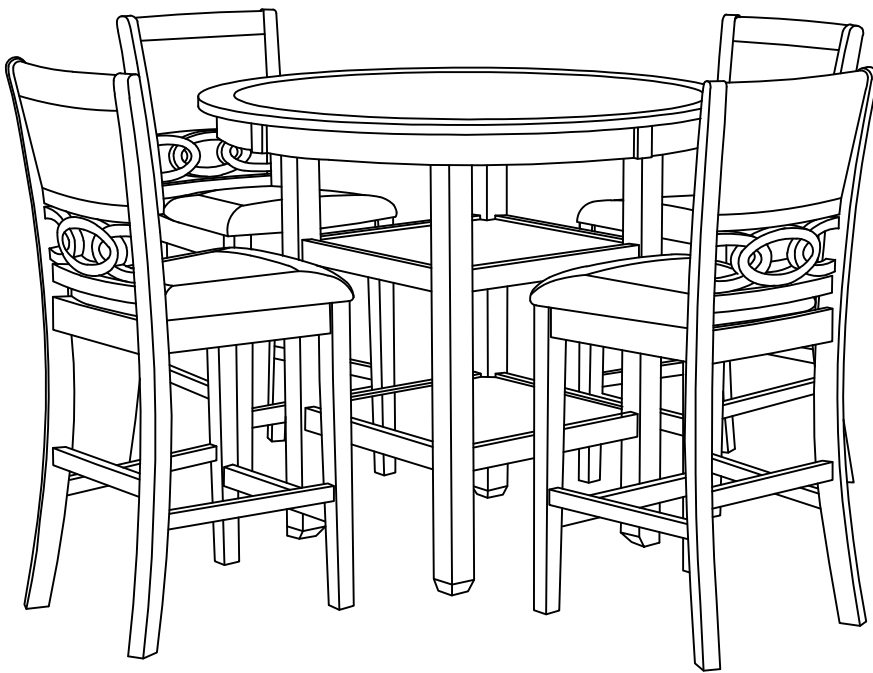


ASSEMBLY INSTRUCTIONS



TOOLS REQUIRED



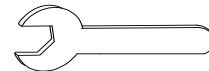
Allen Wrench

(Included)



Phillips
Screwdriver

(Not Included)



Wrench 13mm

(Included)



2 - People

Recommended

ASSEMBLY RATING



EASY —————> DIFFICULT

The Assembly Rating is a 5-point system showing the level of effort needed to assemble a specific product.

PRE ASSEMBLY INTRODUCTION

We understand building ready-to-assemble furniture can be a challenging experience for some. To help avoid confusion, we have provided some helpful tips that may speed up the process.



Teamwork

ALWAYS have at least two people to help with transporting and assembling the product to avoid potential injury and/or damage.



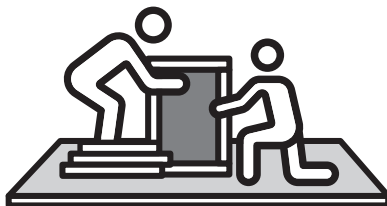
Suitable Location

Assembling near the area of the intended location is highly recommended.



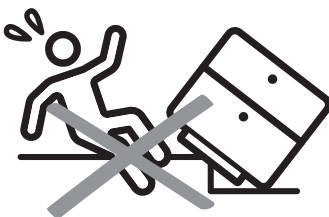
Sufficient Space

Make sure you have enough space to move around during the assembly.



Avoid Scratches

Use cardboard, blankets or a carpeted area while assembling furniture to prevent scratches.



Flat Surface

Make sure the furniture rests on a flat and level surface with each leg evenly touching the floor.

ASSEMBLY AND CARE ADVICE



FAILURE TO FOLLOW THE GUIDELINES BELOW MAY RESULT IN INJURY AND/OR PROPERTY DAMAGE.



Position each part correctly and insert screws or bolts into their respective holes.



Turn clockwise to tighten and only tighten when step is completed or when instructed to do so.



Use the appropriate hand tools or power tools for assembly. Select steps, such as tightening screws and/or bolts, may require hand tools to avoid causing damage during assembly.



Save the instructions and store any supplied tools for later maintenance.



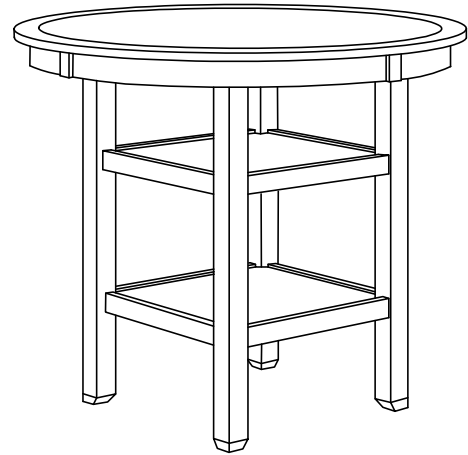
After two weeks, check and tighten any loose hardware and repeat again every six months thereafter.

IT IS THE USER'S RESPONSIBILITY TO MAINTAIN THE FURNITURE. THE HARDWARE MAY LOOSEN OVER TIME AND MAY CAUSE THE FURNITURE TO BE WOBBLY AND UNABLE TO SUPPORT ITS INTENDED WEIGHT CAPACITY. THIS MAY LEAD TO COLLAPSE AND MAY CAUSE SERIOUS INJURY.

TABLE



- Please keep instructions for future reference.
- Check the quantity and irregularity of parts and hardware before you start.



PARTS

#1 1pc



Table Top

#2 4pcs

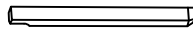


Table Leg

#3 2pcs

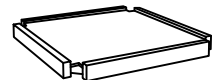
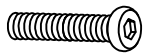


Table Shelve

HARDWARE

#A 12pcs



Bolt $\text{Ø}5/16'' \times 2-3/8''$

#B 12pcs



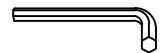
Lock Washer $\text{Ø}5/16''$

#C 12pcs

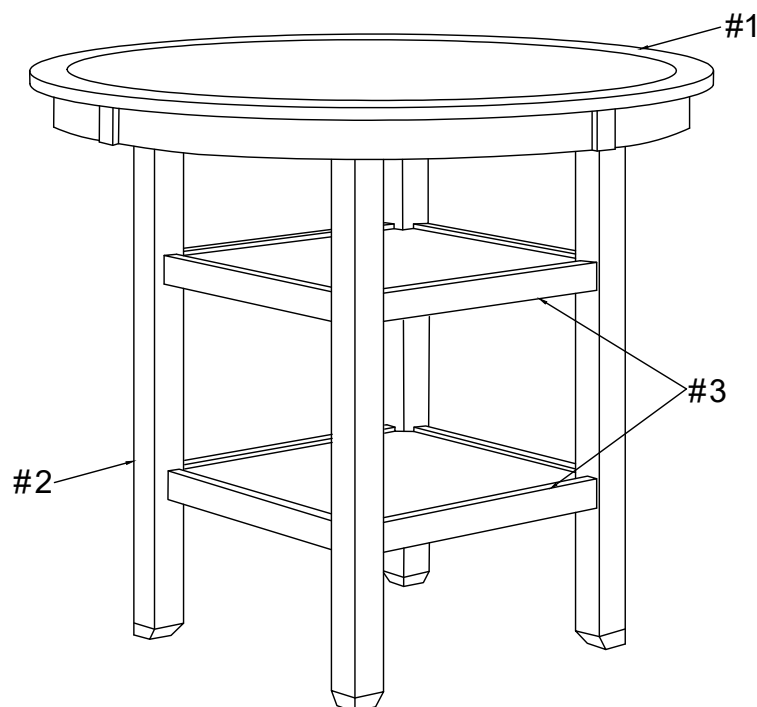


Flat Washer $\text{Ø}5/16''$

#D 1pc



Allen Wrench 4mm

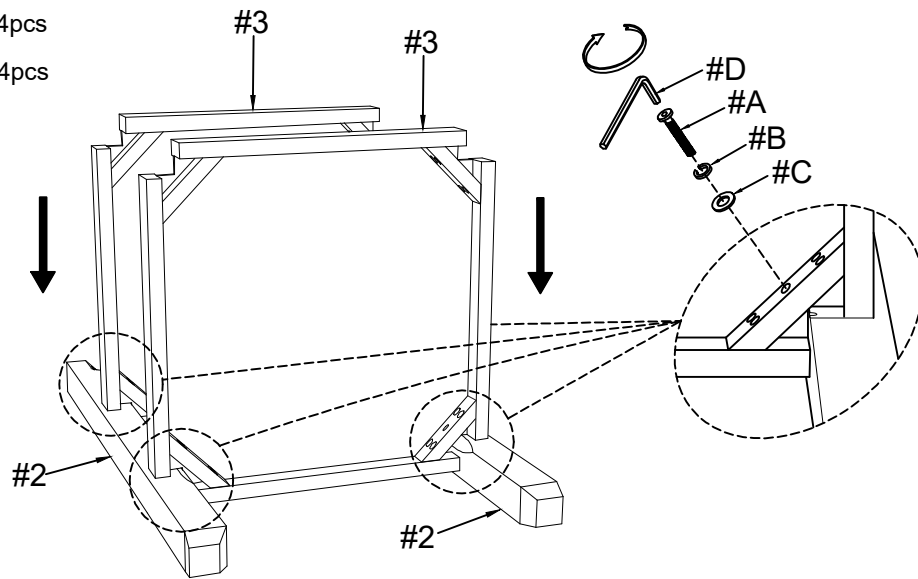


ASSEMBLY INSTRUCTIONS

1

- Part #2 x2pcs
- Part #3 x2pcs
- Hardware #A x4pcs
- Hardware #B x4pcs
- Hardware #C x4pcs

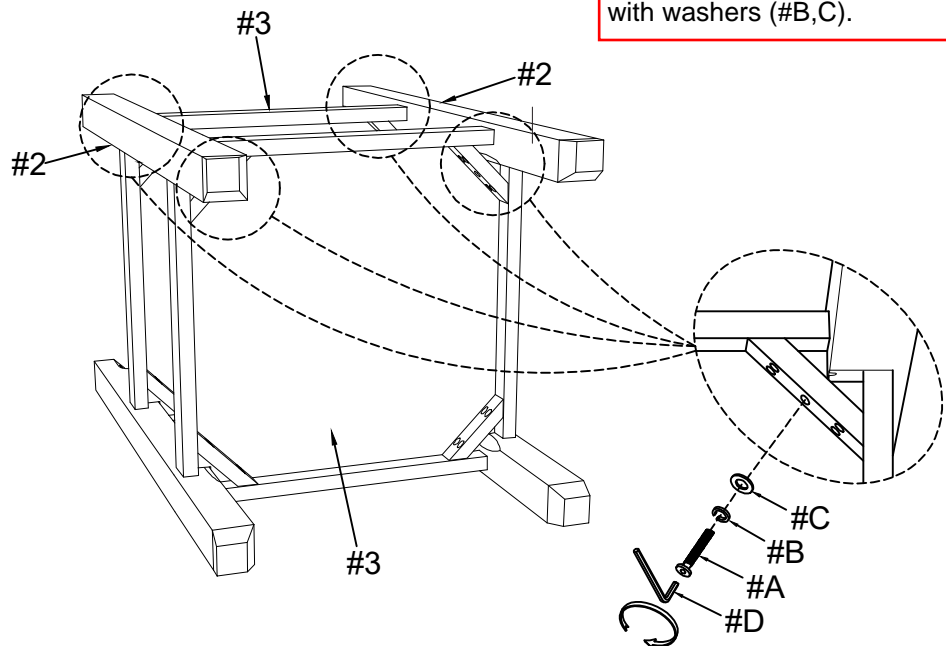
Align shelves (#3) to legs (#2), then secure by using bolts (#A) with washers (#B,C).



2

- Part #2 x2pcs
- Hardware #A x4pcs
- Hardware #B x4pcs
- Hardware #C x4pcs

Align legs (#2) to shelves (#3), then secure by using bolts (#A) with washers (#B,C).

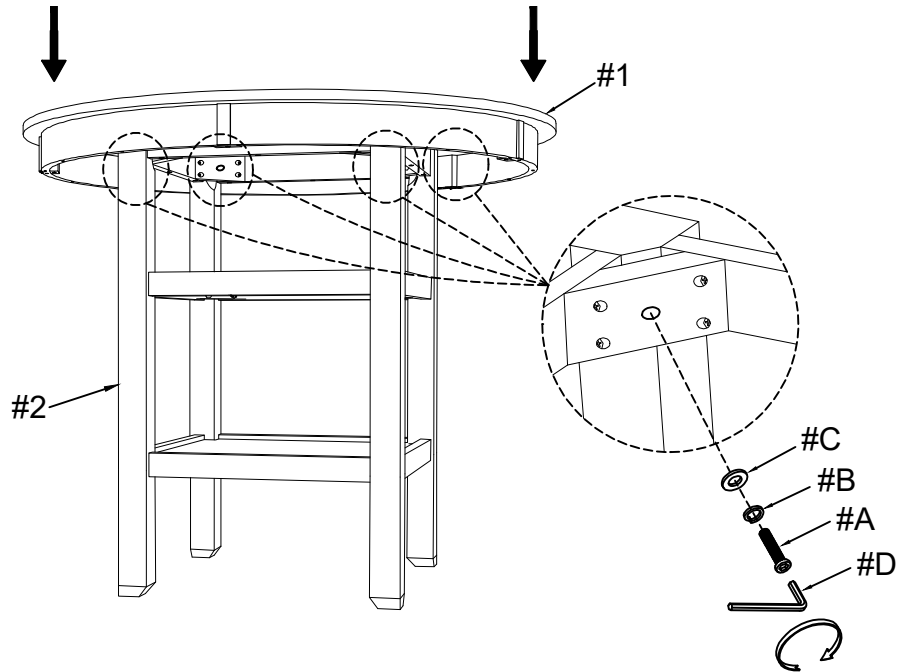


ASSEMBLY INSTRUCTIONS

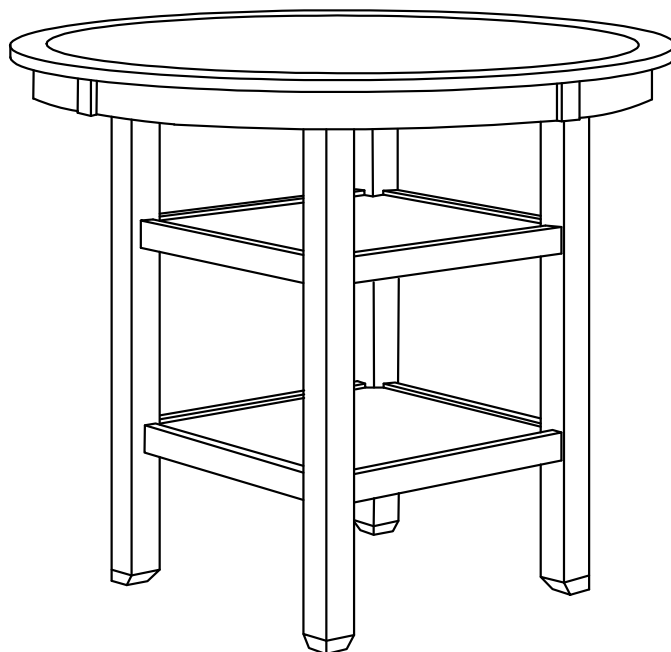
3

- Part #1 x1pc
- Hardware #A x4pcs
- Hardware #B x4pcs
- Hardware #C x4pcs

Align table top (#1) to legs (#2), then secure by using bolts (#A) with washers (#B,C).



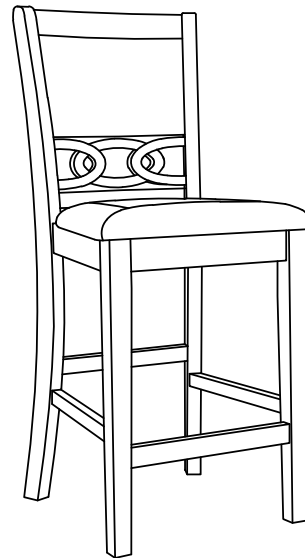
4



CHAIR



- Please keep instructions for future reference.
- Check the quantity and irregularity of parts and hardware before you start.



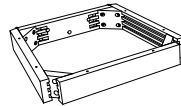
PARTS

#1 1pc x4



Chair Back

#2 1pc x4



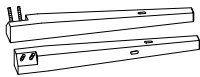
Seat Frame

#3 1pc x4



Cushion Seat

#4 2pcs x4



Front Legs (L&R)

#5 2pcs x4



Side Stretcher (L&R)

#6 1pc x4



Front Stretcher

HARDWARE

#A 4pcs x4



Bolt Ø1/4" x 3"

#B 3pcs x4



Bolt Ø1/4" x 1-1/4"

#C 11pcs x4



Lock Washer Ø5/16"

#D 11pcs x4



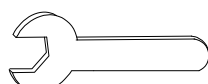
Flat Washer Ø5/16"

#E 4pcs x4



Nut Ø5/16"

#F 1pc



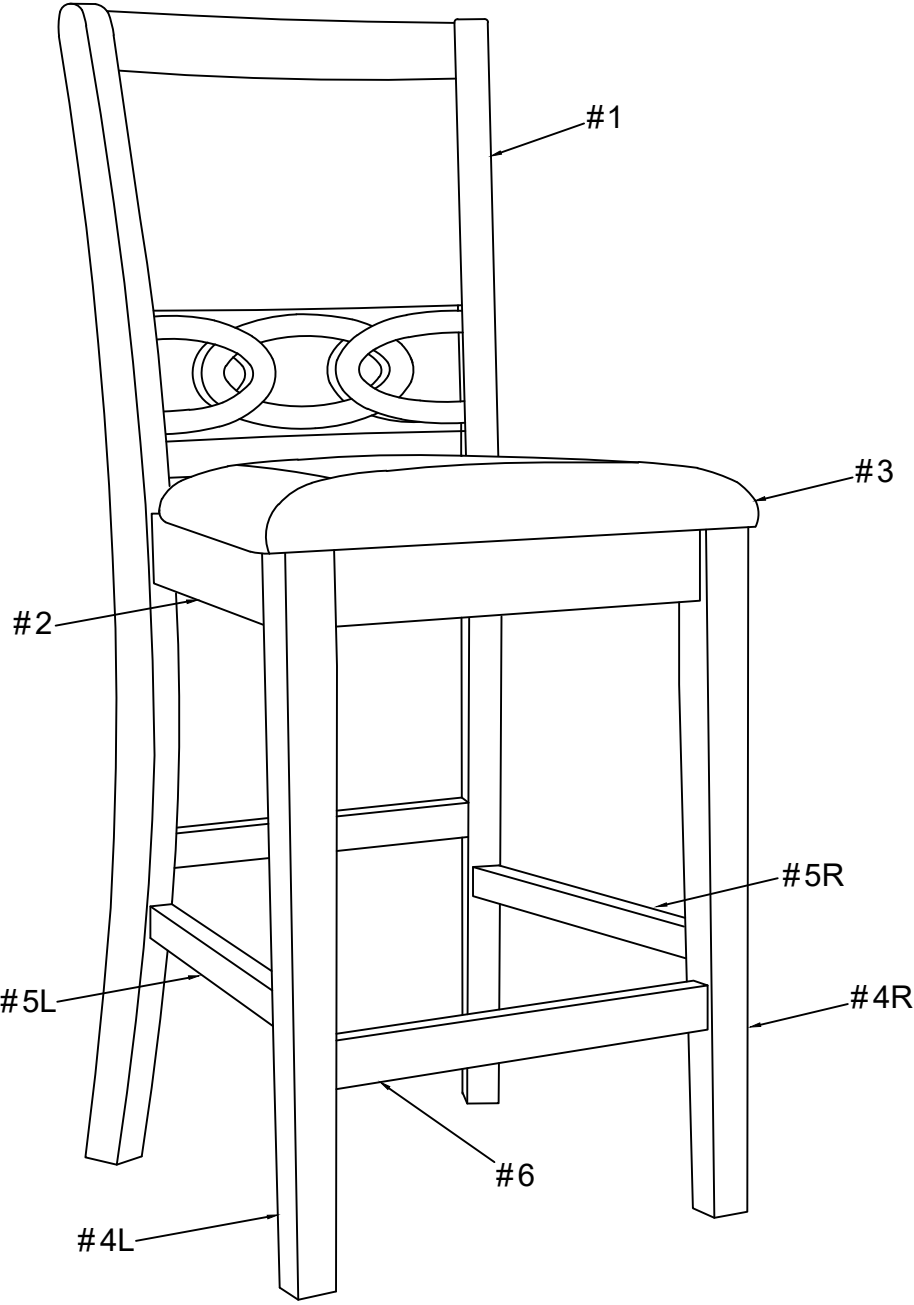
Wrench 13mm

#G 12pcs x4



Screw #8 x 38mm

Exploded View



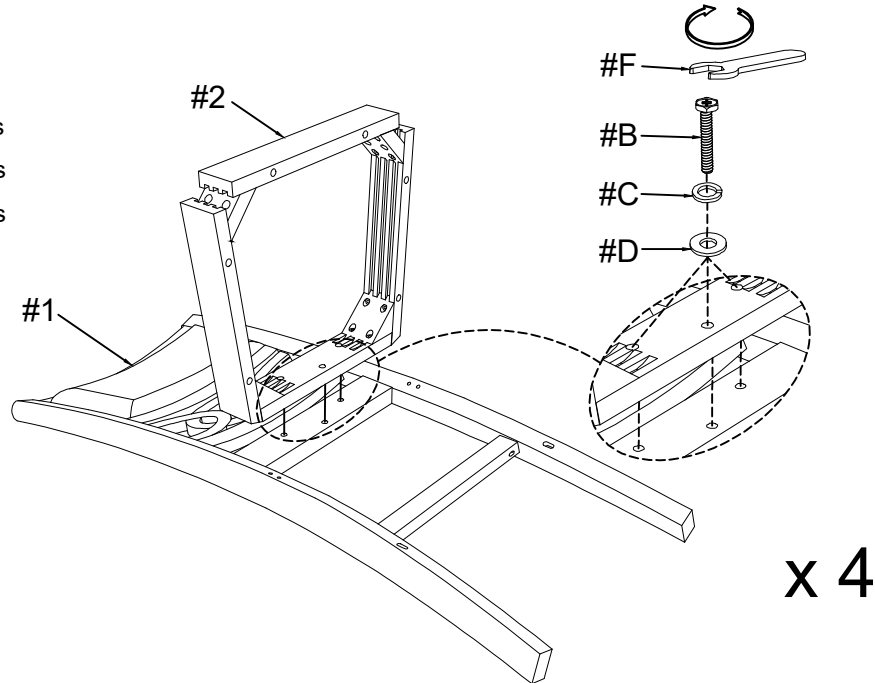
x 4

ASSEMBLY INSTRUCTIONS

1

- Part #1 x1pc
- Part #2 x1pc
- Hardware #B x3pcs
- Hardware #C x3pcs
- Hardware #D x3pcs

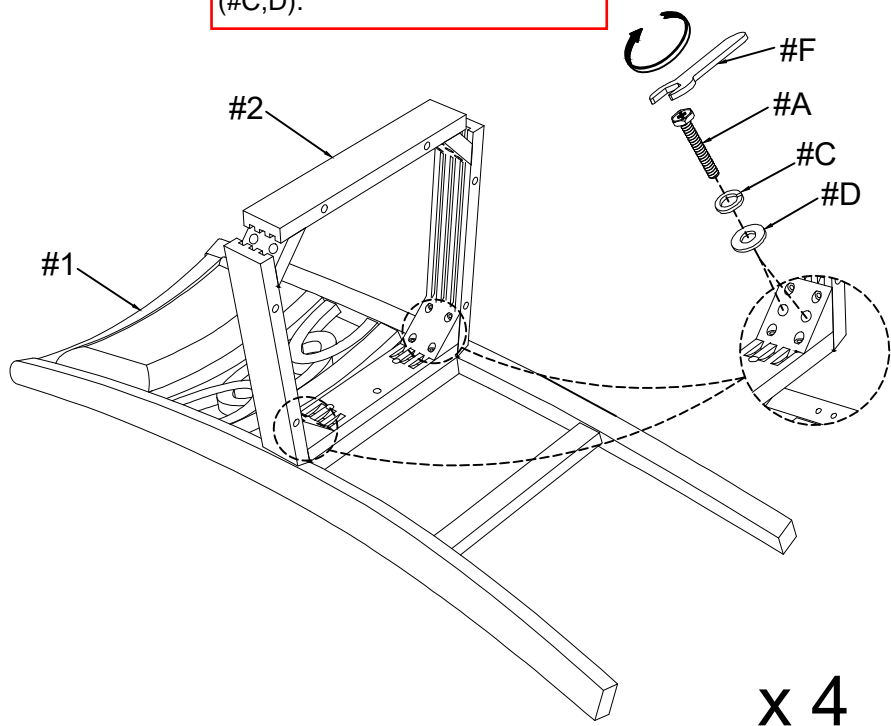
Align seat frame (#2) to chair back (#1), then secure by using bolts (#B) with washers (#C,D).



2

- Hardware #A x4pcs
- Hardware #C x4pcs
- Hardware #D x4pcs

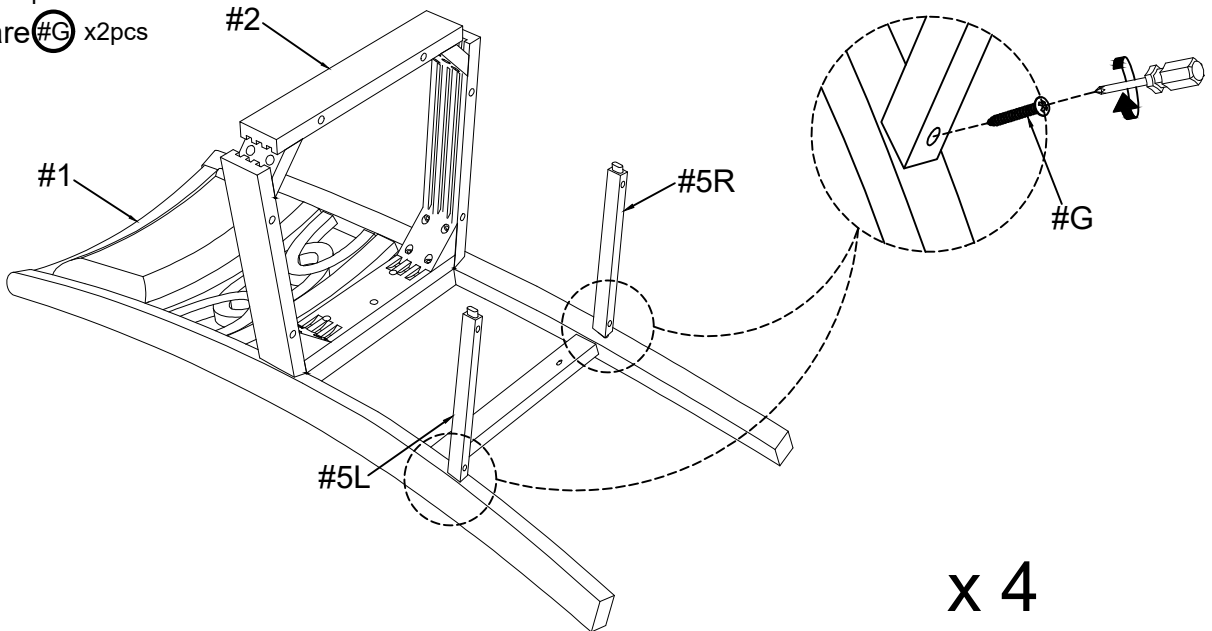
Secure corner holes of the seat frame (#2) to chair back (#1) by using bolts (#A) with washers (#C,D).



ASSEMBLY INSTRUCTIONS

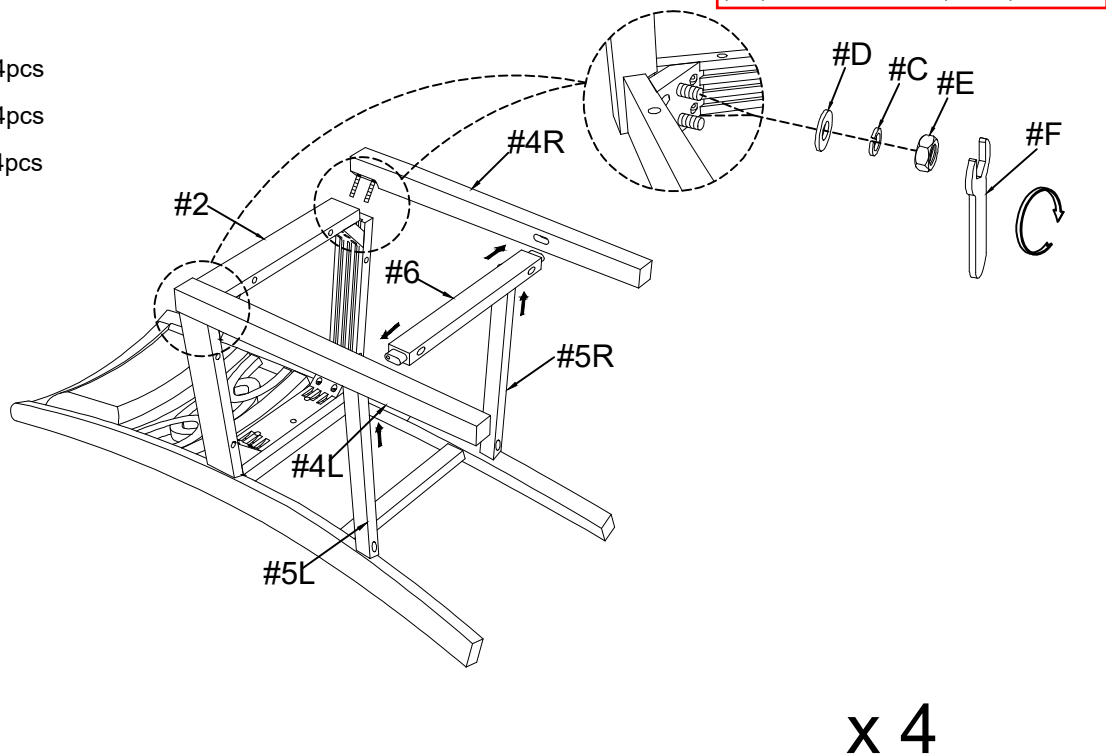
3

Part #5 x2pcs
Hardware #G x2pcs



4

Part #4 x2pcs
Part #6 x1pc
Hardware #C x4pcs
Hardware #D x4pcs
Hardware #E x4pcs

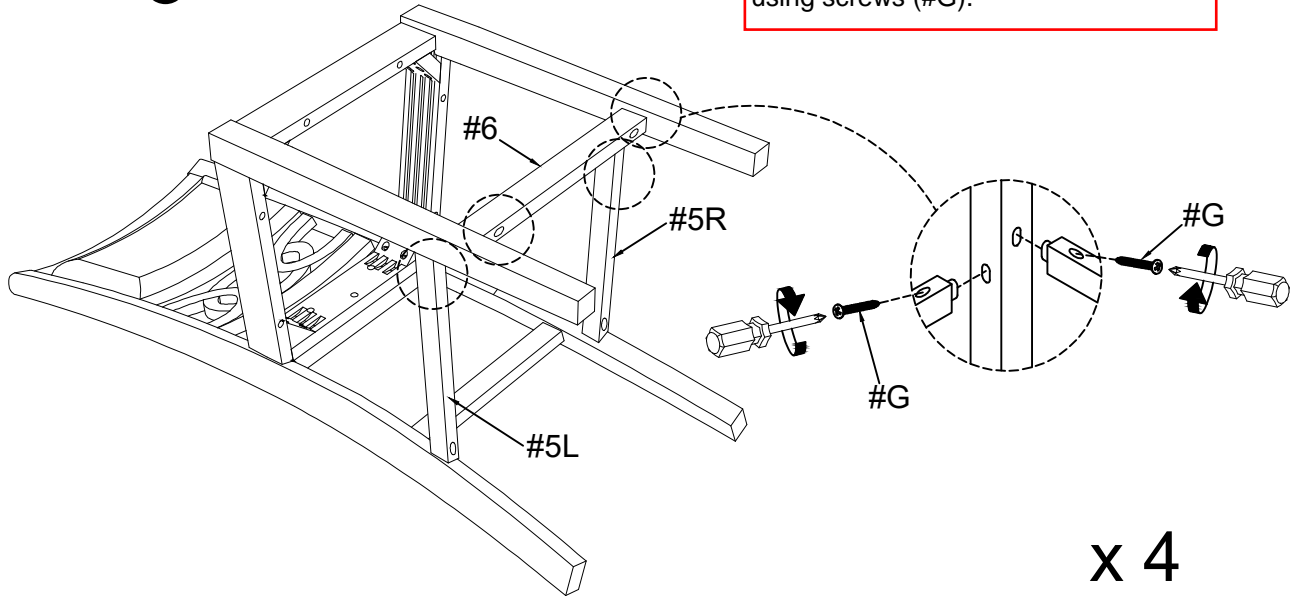


ASSEMBLY INSTRUCTIONS



5

Hardware  x4pcs

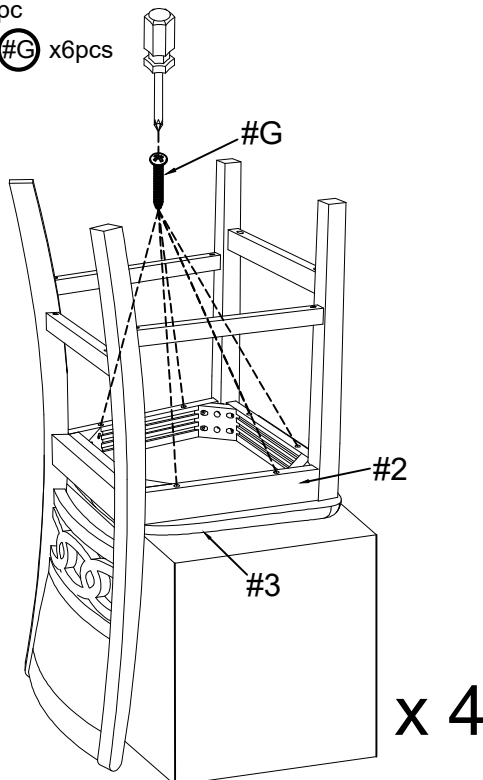
Secure stretchers (#5R/L,6) to legs by using screws (#G).



6

Part  x1pc
Hardware  x6pcs

Align seat (#3) to seat frame (#2), then secure by using screws (#G). There are no pre-drilled holes for this step.




ASSEMBLY COMPLETED



Please ensure the furniture rests on an even and flat surface. If the product wobbles or feels loose, double-check all bolts and/or screws are properly tightened and secured.

 **Keep this handy!**
Please retain this instruction manual and any order-related information for future reference.

 **Lift, don't drag!**
To avoid damage to product please always LIFT the product when transporting or adjusting the placement.