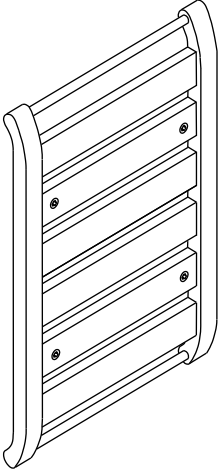
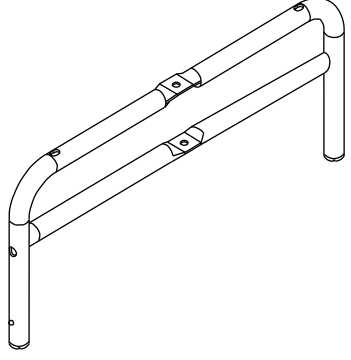
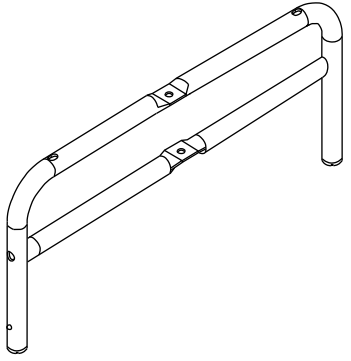
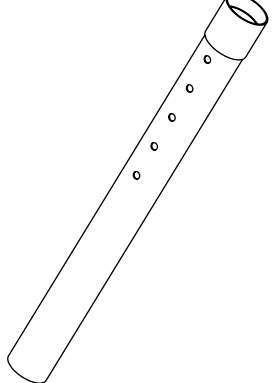

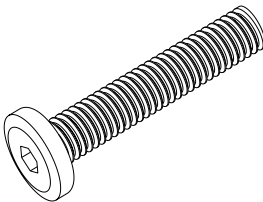
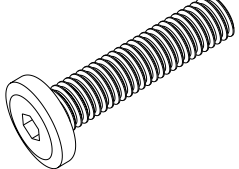
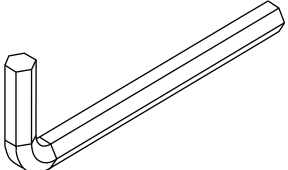
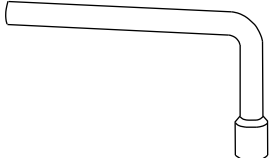
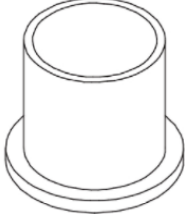

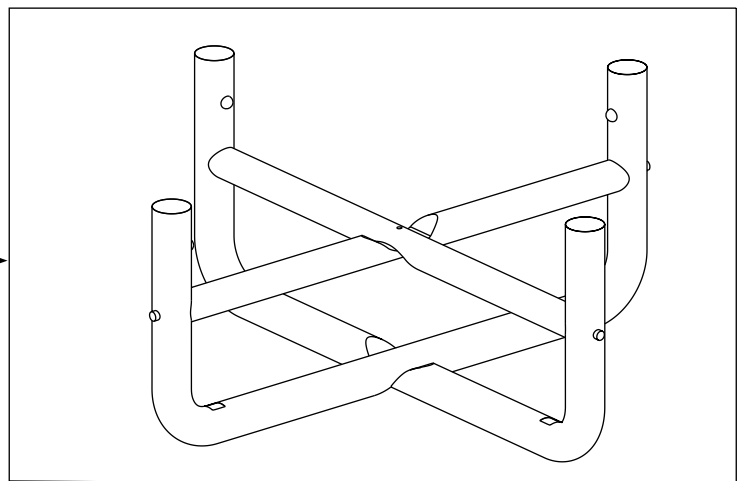
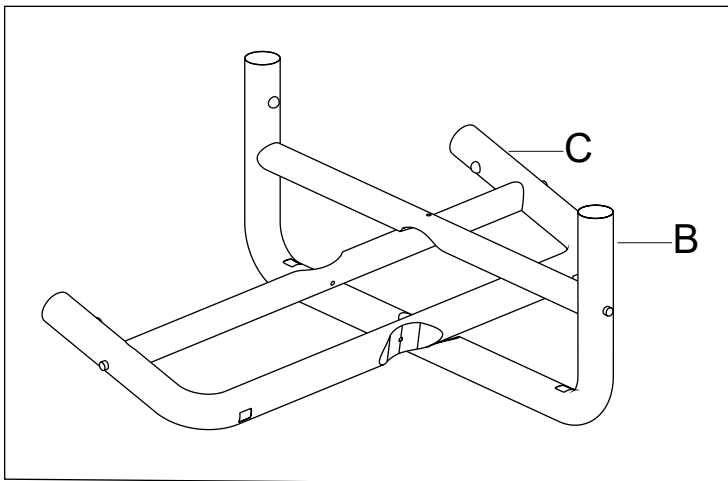


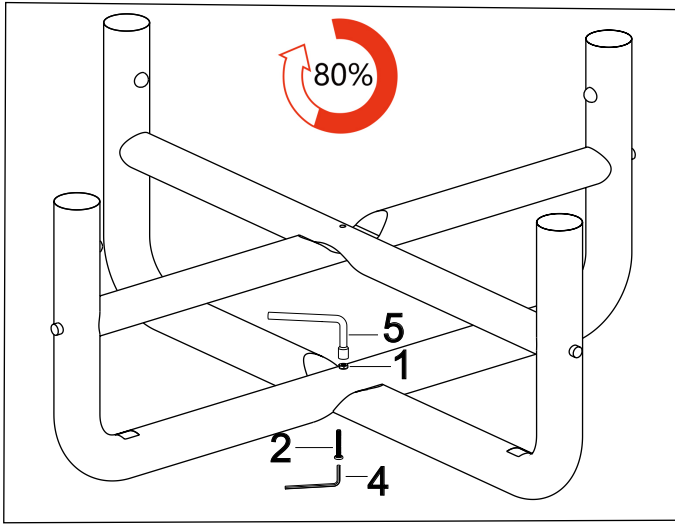
Product Components

A  X1	B  X1	C  X1	D  X4
1  X2	2  Ø6x35 X5	3  Ø6x30 X1	
4  X1	5  X1	6  X4	7  X4

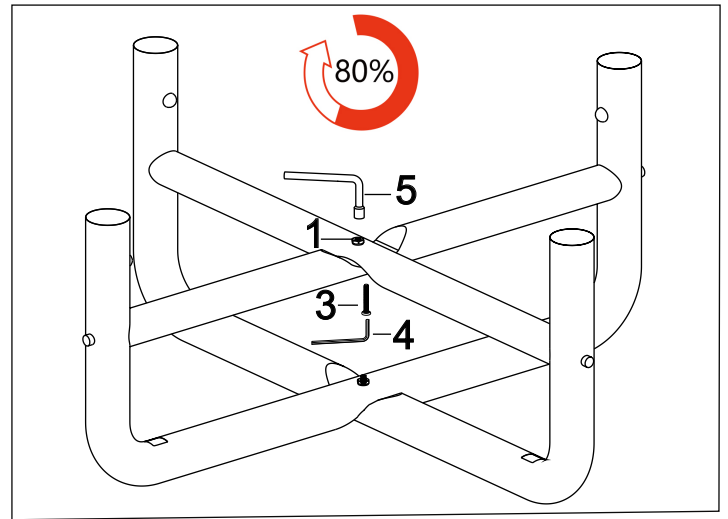
Step1: Pass C through B



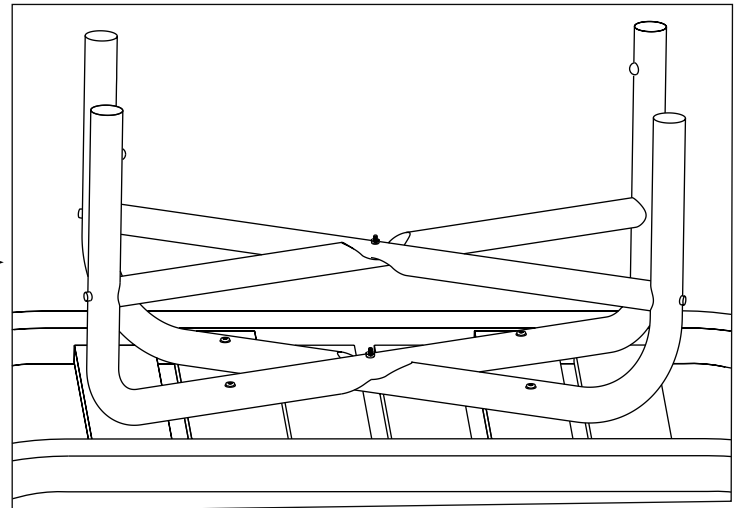
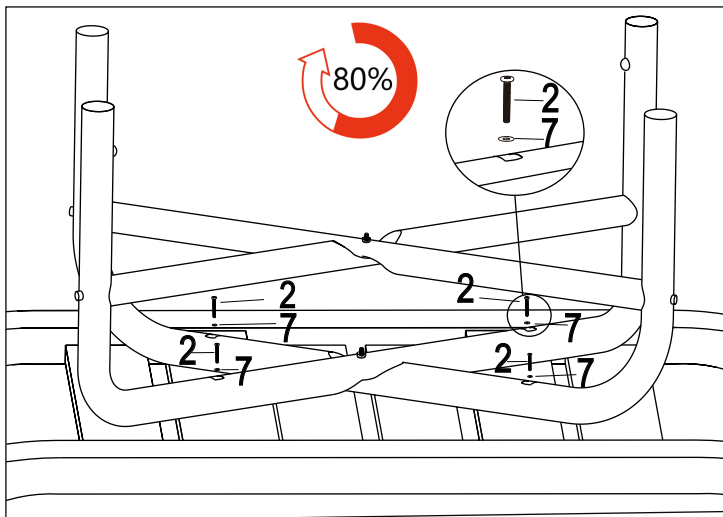
Step2: Fix with # 2 screw and # 1 nuts
(80% tighten)



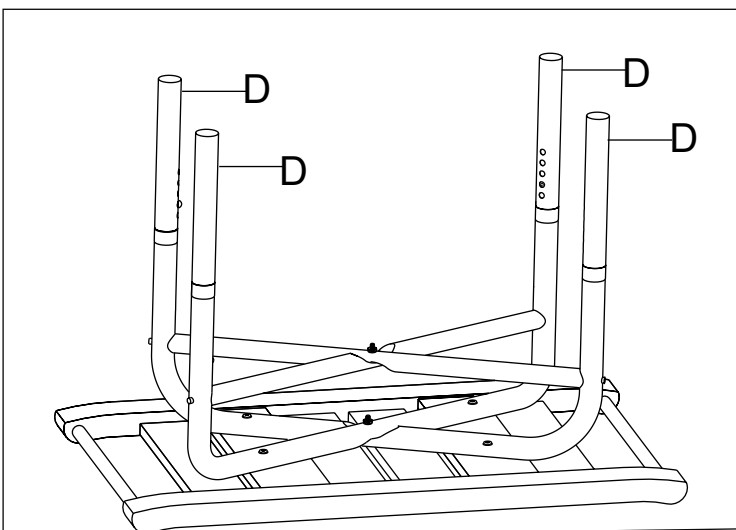
Step3: Fix with # 3 screw and # 1 nut
(80% tighten)



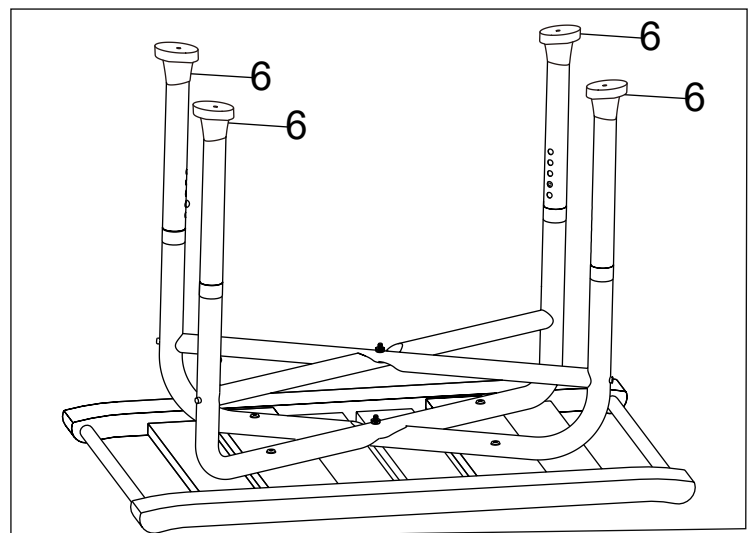
Step4: Install the aluminum legs onto the bamboo board with # 2 screw and # 7 metal washer.
(80% tighten)



Step5: Install 4 adjustable legs D.



Step6: Install 4 non-slip feet



Tip: After all installation steps are completed. Tighten all screw to 100%

