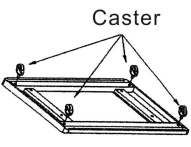
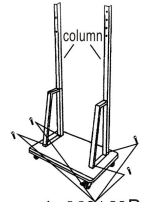
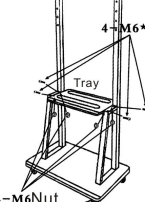
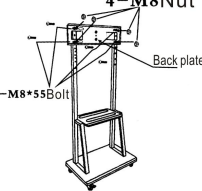
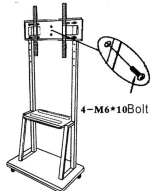
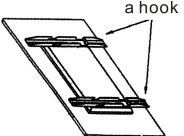
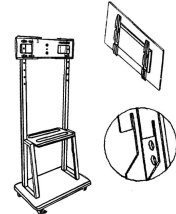
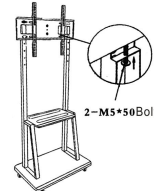







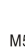







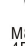




Installation instructions for FT-S TV mobile bracket

<p>①. Installation of 4 casters of the base</p>  <p style="text-align: center;">Caster</p>	<p>②. Use 4 M8 * 55 hexagon socket bolts+Fix two columns with gaskets</p>  <p style="text-align: center;">column 4-M8*55 Bolt</p>	<p>③. Fix the "middle tray" with 4 M6 hexagon socket bolts + washers + nuts</p>  <p style="text-align: center;">Tray 4-M6*50 Bolt 4-M6Nut</p>	<p>④. Fix the "TV hanging plate" with 4 M8 * 55hexagon socket bolts + washers + M8 * nuts</p>  <p style="text-align: center;">4-M8Nut Back plate 4-M8*55Bolt</p>
<p>⑤. Assemble the upper tray accessories with cross screws, and then assemble them with the TV hanging plate</p>  <p style="text-align: center;">4-M6*10Bolt</p>	<p>⑥. The "hook" is installed on the back of the TV with screws in D.</p>  <p style="text-align: center;">a hook</p>	<p>⑦. Hook the "hook" into the TVHanging board</p> 	<p>⑧. After hanging up the TV, lock the safety screw.</p>  <p style="text-align: center;">2-M5*50Bolt</p>

No.	Assembly instructions	QTY.
1	base	1
2	column	2
3	Medium tray	1
4	a hook	2
5	TV rack	1
6	Caster	4

Screw accessories			
A	 M8x55 ① 8PCS	 ø8x20x1 ② 12PCS	 M8 ③ 4PCS
B	 M6x50 ① 4PCS	 ø6x20x1 ② 4PCS	 M6 ③ 4PCS
	 M6x10 ④ 2PCS	 M5x10 ⑤ 4PCS	
C	 M5x50 ① 2PCS	 1PCS	 1PCS  1PCS
D	 M5x15 4PCS  M6x25 4PCS  M4x15 4PCS	 M8x25 4PCS  ø8x20x10 4PCS  ø5x20x1 4PCS	Install the TV screw

Note: 1. The maximum distance between mounting holes is within 610mm and 410mm.
 2. Maximum bearing capacity: 100kg