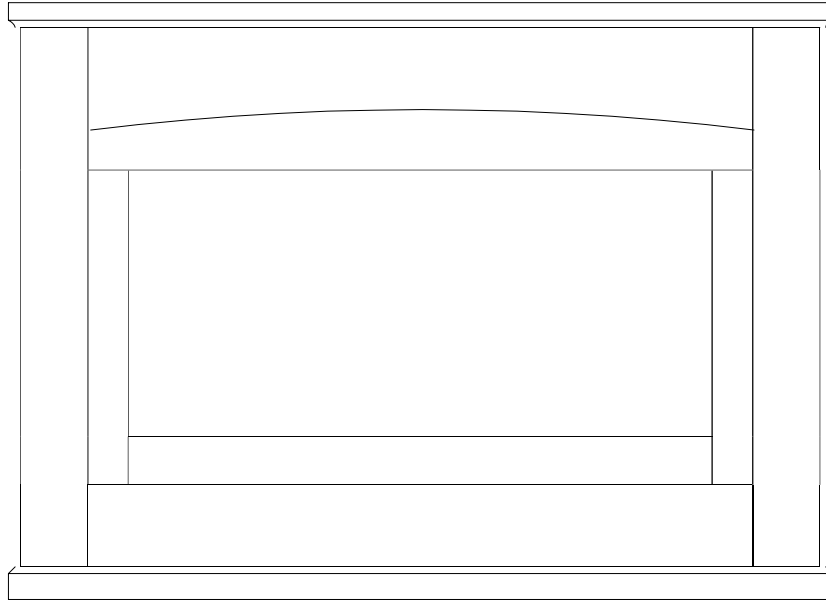


Installation and Users Instructions



Model: E118S Fireplace Mantel

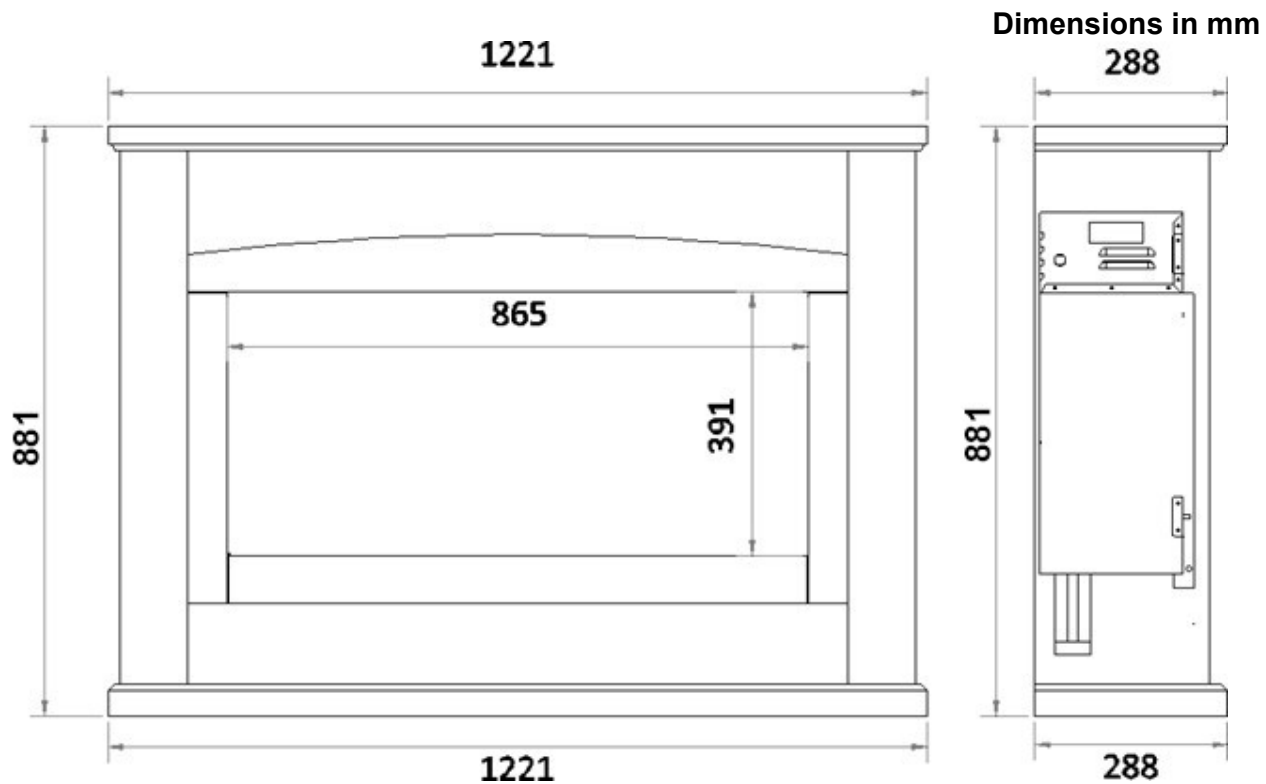
For use with E119R – 2KW Electric Fire

**PLEASE READ THIS MANUAL BEFORE INSTALLING AND USING APPLIANCE.
INSTALLER: DO NOT DISCARD THIS MANUAL – LEAVE WITH THE CUSTOMER.
SAVE THESE INSTRUCTIONS FOR FUTURE REFERENCE.
SCAN THE QR CODE TO GET THE INSTALLATION VIDEO.**

Appliance Development Services Ltd

Tel 01723 583227

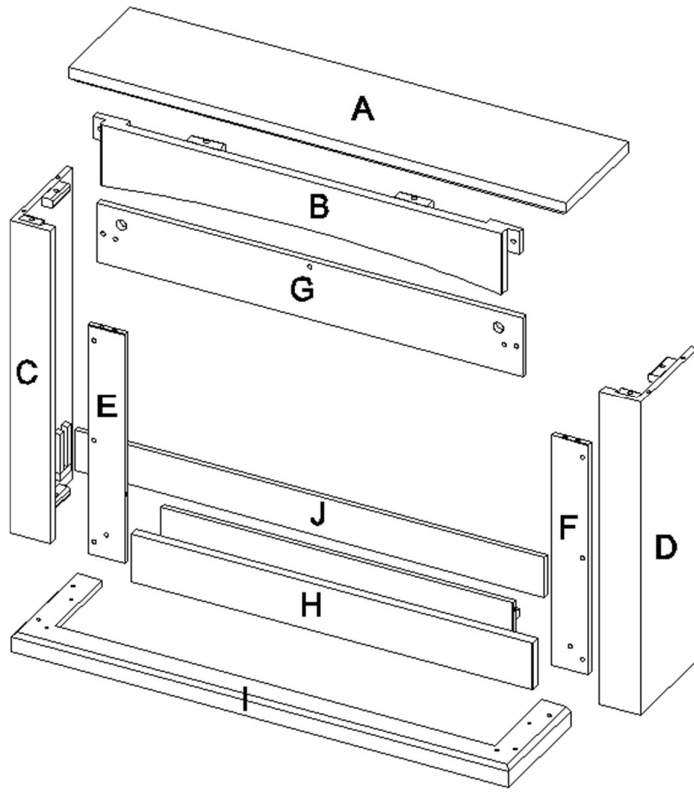
SECTION 1 DIMENSIONS





SECTION 2 ASSEMBLY AND INSTALLATION

2.1 Unpack

- Open the package carefully and remove all pieces. Carefully inspect each part for any damage before you begin assembly.
- Make sure that you have all the parts listed below before assembling.



No.	Name	Quantity
A	Top panel	1
B	Front top panel	1
C	Left side panel	1
D	Right side panel	1
E	Second left panel	1
F	Second right panel	1
G	Second top panel	1
H	Front bottom panel	1
I	Base panel	1
J	Fire support panel	1
K	Wood dowel 	14+1(Spare)
L	Screws M6*30mm	24+1(Spare)
M	Washer 	24+2(Spare)

NOTE: left and right of product are distinguished by its front view.

2.2 Before installation

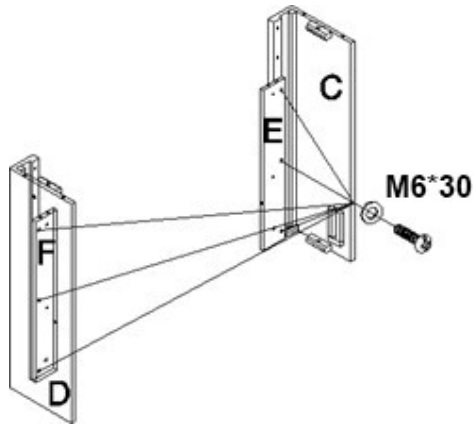
Tools required: magnetic Philips screwdriver.



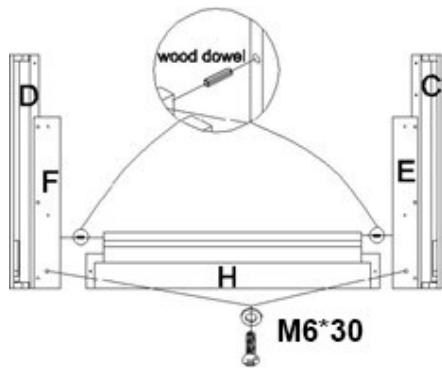
2.3 Installation

NOTE!

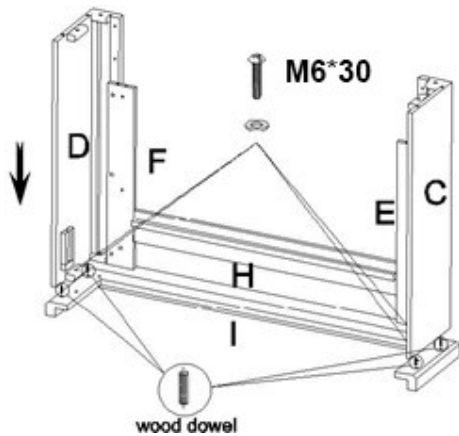
- Assembly required by two adults.
- This fireplace suite must be fitted to the wall. Mirror plates are supplied with the electric fire, but any other suitable concealed fixing may be used.
- Use manual screwdriver only.
- Use washer when fixing with screws. Do not overtighten bolts.
- Do not use screws of other types or models, to avoid any screws that are too long causing damage to mantels.
- Only fit the fire from the back of the fireplace so as not to scratch the mantel.



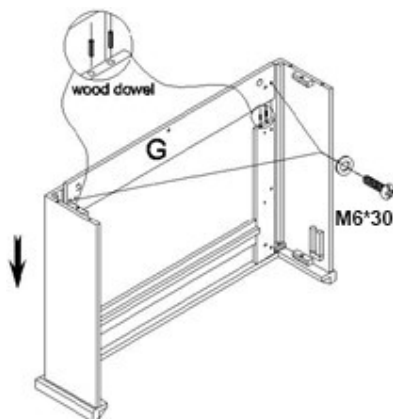
Step 1. Fix the second left panel (E) onto the left side panel (C) and fix the second right panel (F) to right side panel (D). Using the screws provided



Step 2. Fix the front bottom panel (H) to second left panel and second right panel (E&F) using the screws and dowels provided.



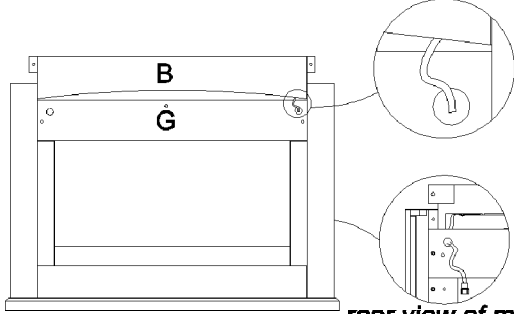
Step 3. Fix the assembled panels onto the base panel (I). Using the screws and dowels provided



Step 4. Fix the second top panel (G) to the top of second side panels (E&F) using the dowels provided. Fix the second top panel (G) to side panels (C&D) using the screws provided.

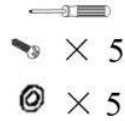
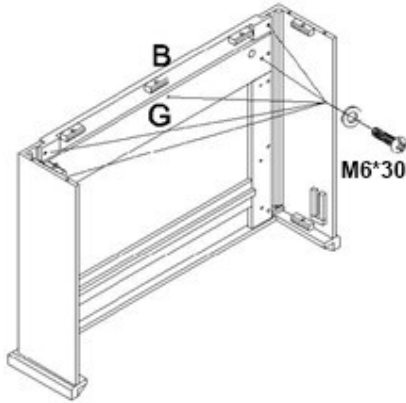


front view of mood lighting

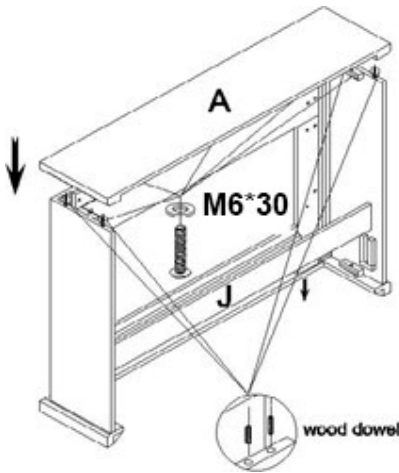


rear view of mood lighting

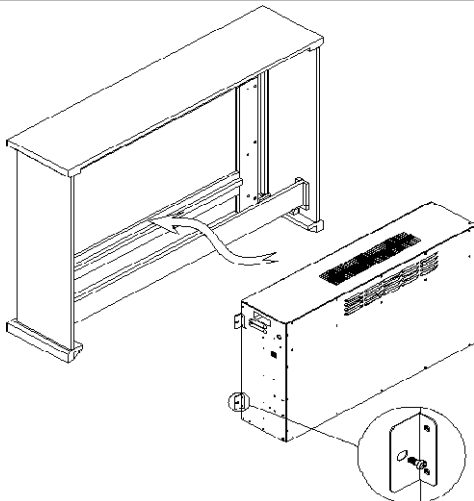
Step 5. Pass the socket and wire of mood lighting through the hole on the second top panel (G) from the front towards the back.



Step 6. Fix the front top panel (B) to Second Top panel (G) and side panels (C&D) using



Step 7. Fix the top panel (A) to front top panel (B) and Side panels (C&D) using the dowels and screws provided. Slot support panel (J). into the brackets on the rear sides of side panels (C&D)



Step 8. Install the fire from back of the mantel and use screws to fix firmly. (Screws are supplied together with the fire).

SECTION 3 CLEANING & MAINTAINENCE

- 1 Your fireplace mantel surface coating will give off a slight smell for a short period of time. Try to ventilate as much as possible during this time.
- 2 Daily cleaning: Clean the mantel surfaces with a soft, lint-free cloth. Do not use cleaning or polishing products and try to avoid heavy or sharp articles which may damage the surface.
- 3 Avoid long-term direct sunlight, and excessive temperatures and humidity to protect the life of your furniture surface.