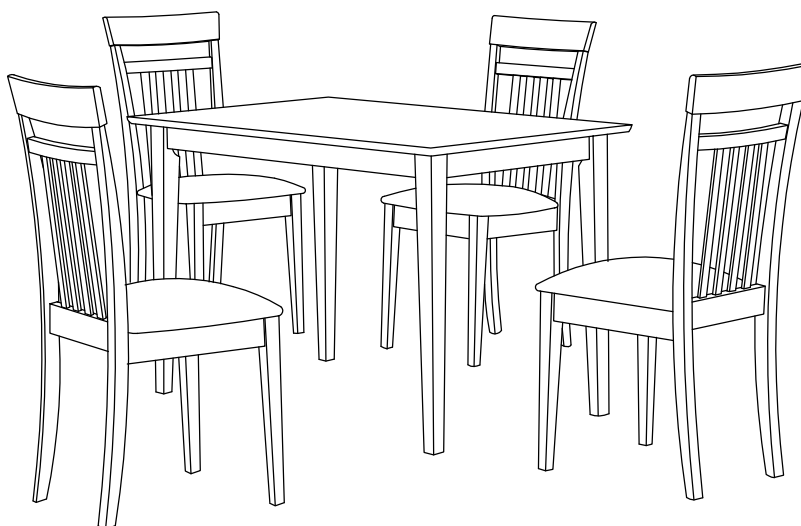


# *ASSEMBLY INSTRUCTIONS*



# ASSEMBLY INSTRUCTIONS

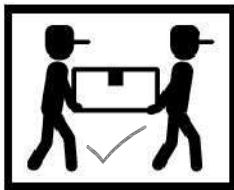
## ASSEMBLY TIPS :

1. Remove hardware from box and sort by size.
2. Please check to see that all hardware and parts are present prior to start of assembly.
3. Please follow attached instructions in the same sequence as numbered to assure fast & easy assembly.



### WARNING !

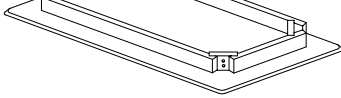
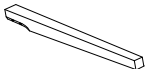
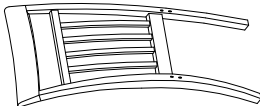
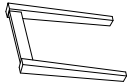
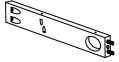

1. Don't attempt to repair or modify parts that are broken or defective. Please contact the store immediately.
2. This product is for home use only and not intended for commercial establishments.



ASSEMBLY TIME

45 MINUTES

## PARTS IDENTIFICATION

A	TOP		1PC
B	LEG		4PCS
C	BACK FRAME		4PCS
D	FRONT LEG FRAME		4PCS
E	SIDE RAIL		8PCS
F	SEAT CUSHION		4PCS

# ASSEMBLY INSTRUCTIONS

## ASSEMBLY TIPS :

1. Remove hardware from box and sort by size.
2. Please check to see that all hardware and parts are present prior to start of assembly.
3. Please follow attached instructions in the same sequence as numbered to assure fast & easy assembly.







### WARNING !

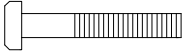


1. Don't attempt to repair or modify parts that are broken or defective. Please contact the store immediately.
2. This product is for home use only and not intended for commercial establishments.

## HARDWARE IDENTIFICATION

### TABLE

1	<b>ALLEN WRENCH</b> ( M4 x 110MM - BLK )		1PC
2	<b>LONG BOLT</b> (M6 x 60MM - RBW)		8PCS
3	<b>LOCK WASHER</b> (1/4" - BLK)		8PCS
4	<b>FLAT WASHER</b> (5/16" - RBW)		8PCS

### CHAIR

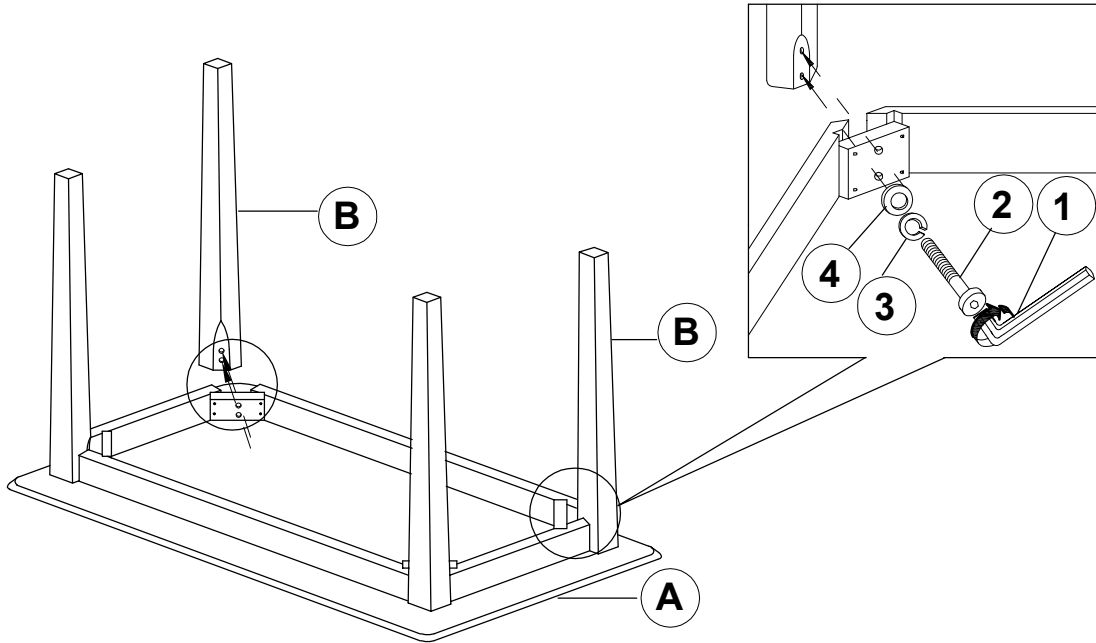
5	<b>SHORT BOLT</b> (M6 x 50MM - RBW)		24PCS
6	<b>LOCK WASHER</b> (1/4" - BLK)		24PCS
7	<b>PAN HEAD SCREW</b> (#8 x 1" -BLK)		16PCS

### NOTE :

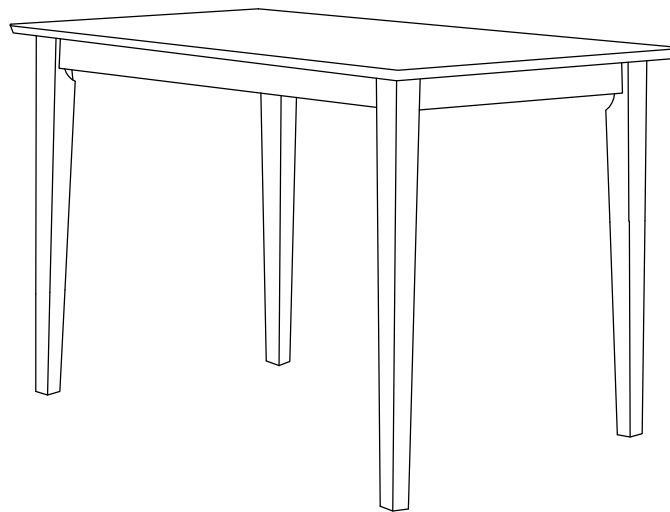
Phillips head screw driver is required in the assembly process ; However, manufacturer not provide this item.

# ASSEMBLY INSTRUCTIONS

## STEP 1

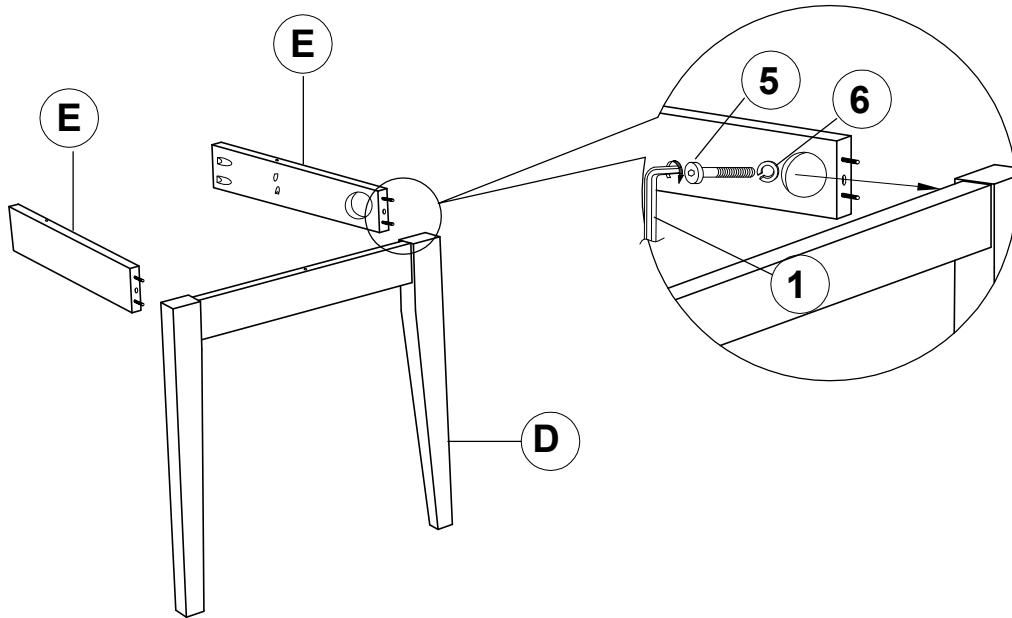


## STEP 2

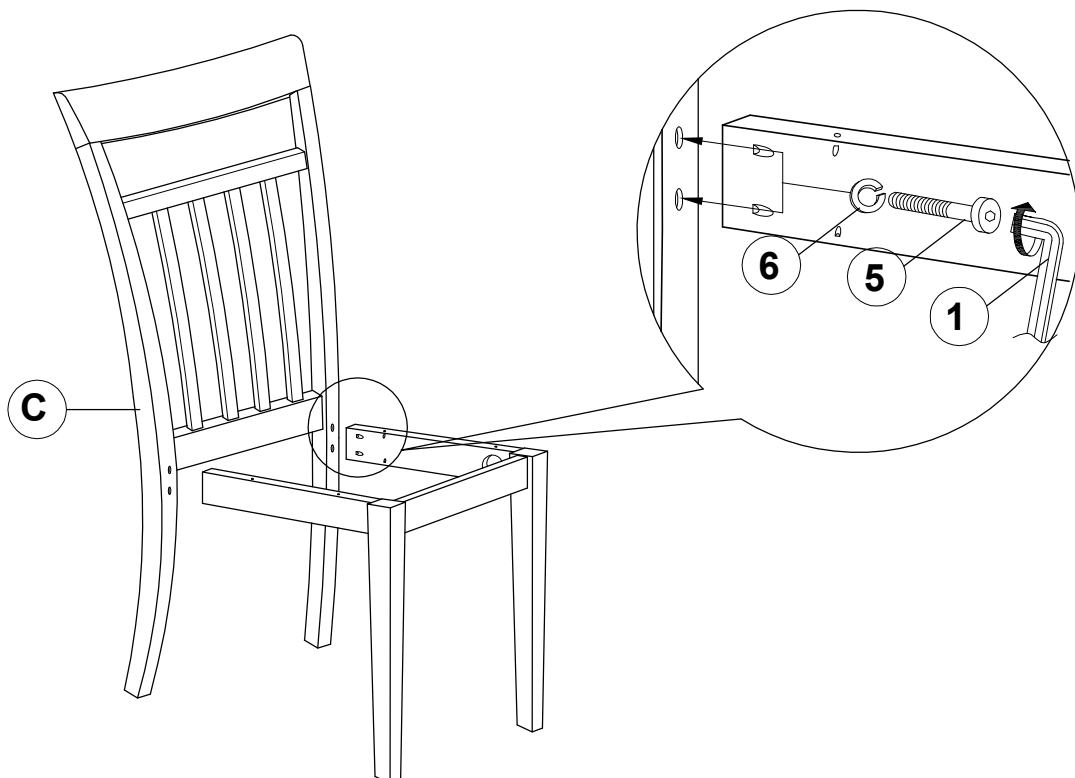


# ASSEMBLY INSTRUCTIONS

## STEP 3

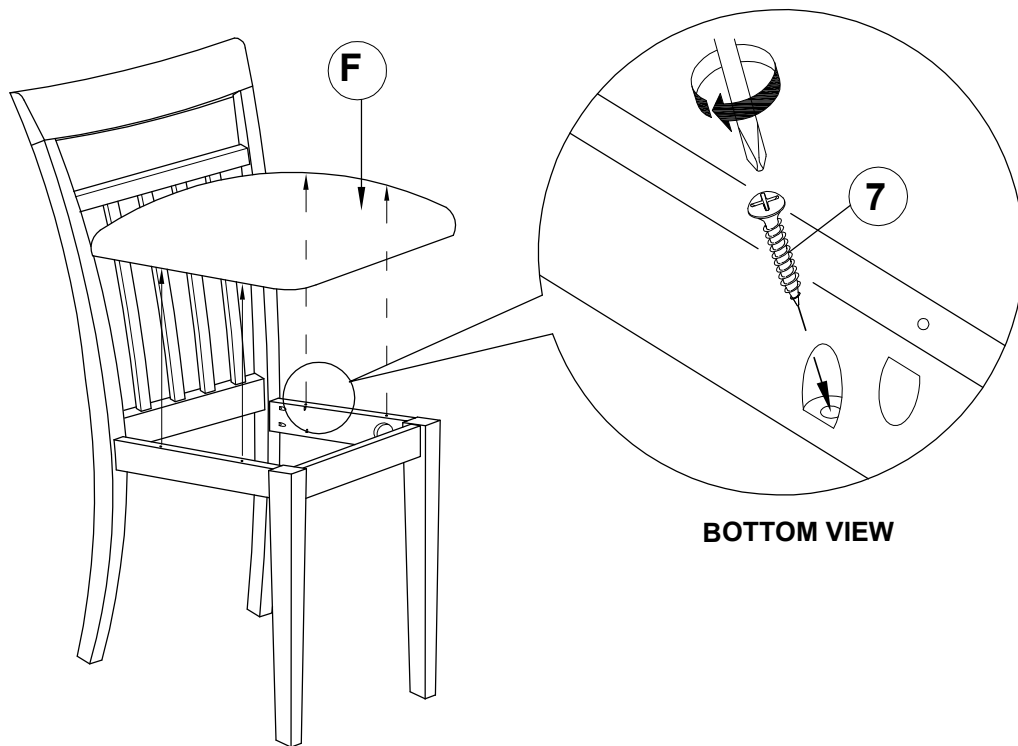


## STEP 4

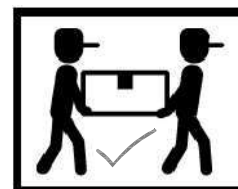
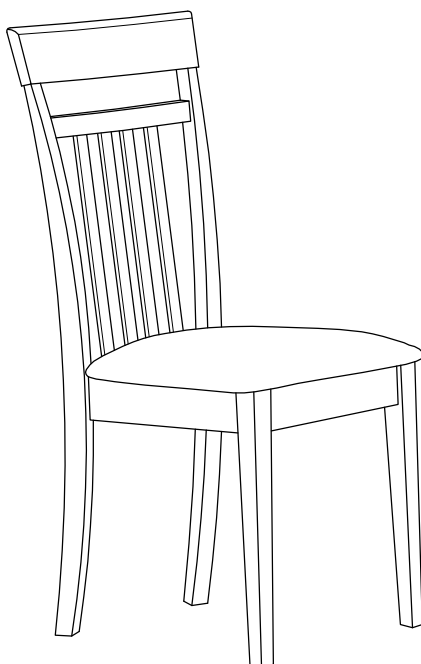


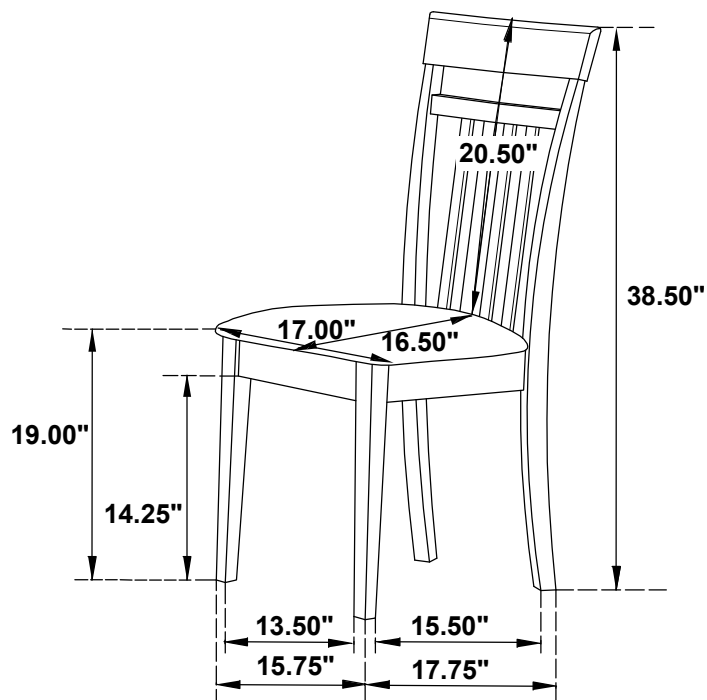
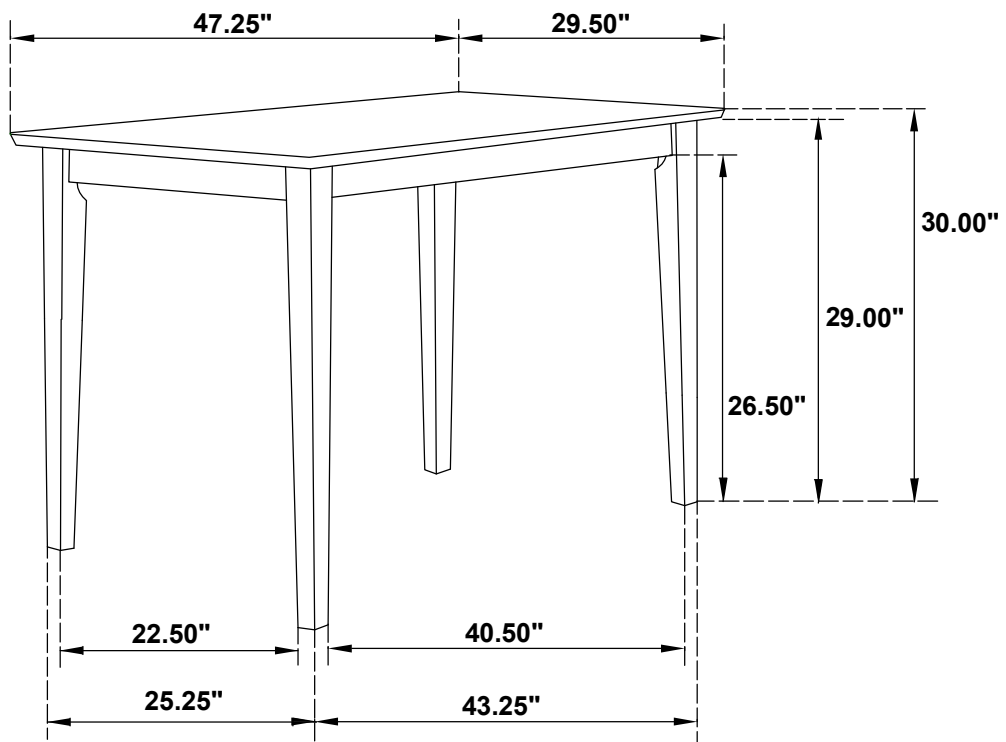
# ASSEMBLY INSTRUCTIONS

## STEP 5



## STEP 6 **COMPLETE**





Note: Dimension tolerance  $\pm 5\%$