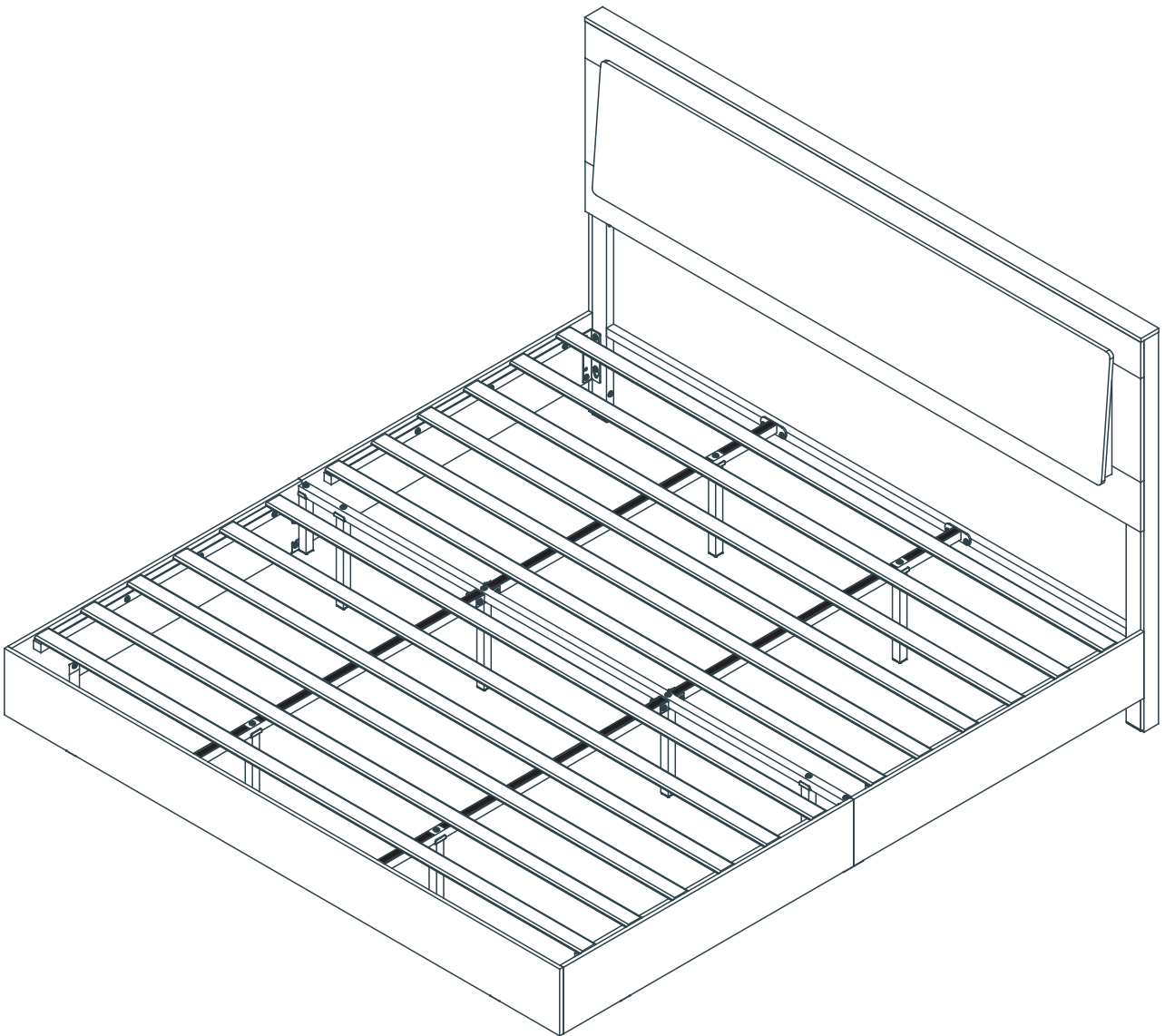


Panel Bed Assembly Instructions



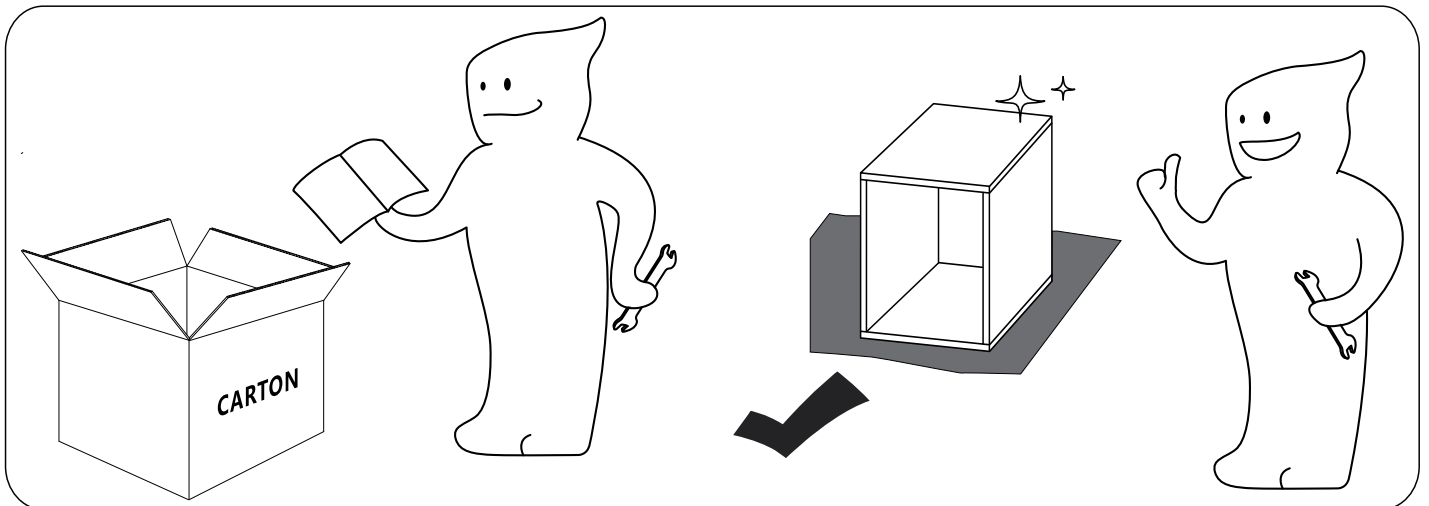
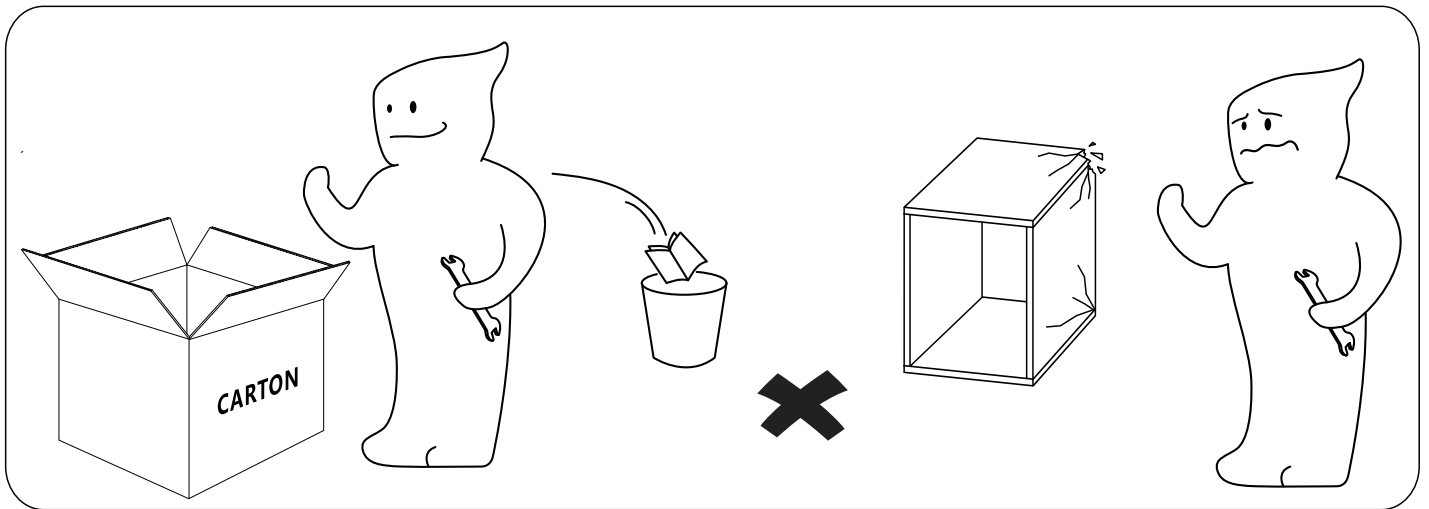
Dear Customers,

Thank you for purchasing our product. Please read this instruction manual carefully after receiving this product. It will help you assemble this product quickly, safely and correctly. You can keep this manual for future reference.

MADE IN CHINA

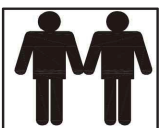
! IMPORTANT

Please follow the instruction manuals and use a pad to protect the product during your assembly.



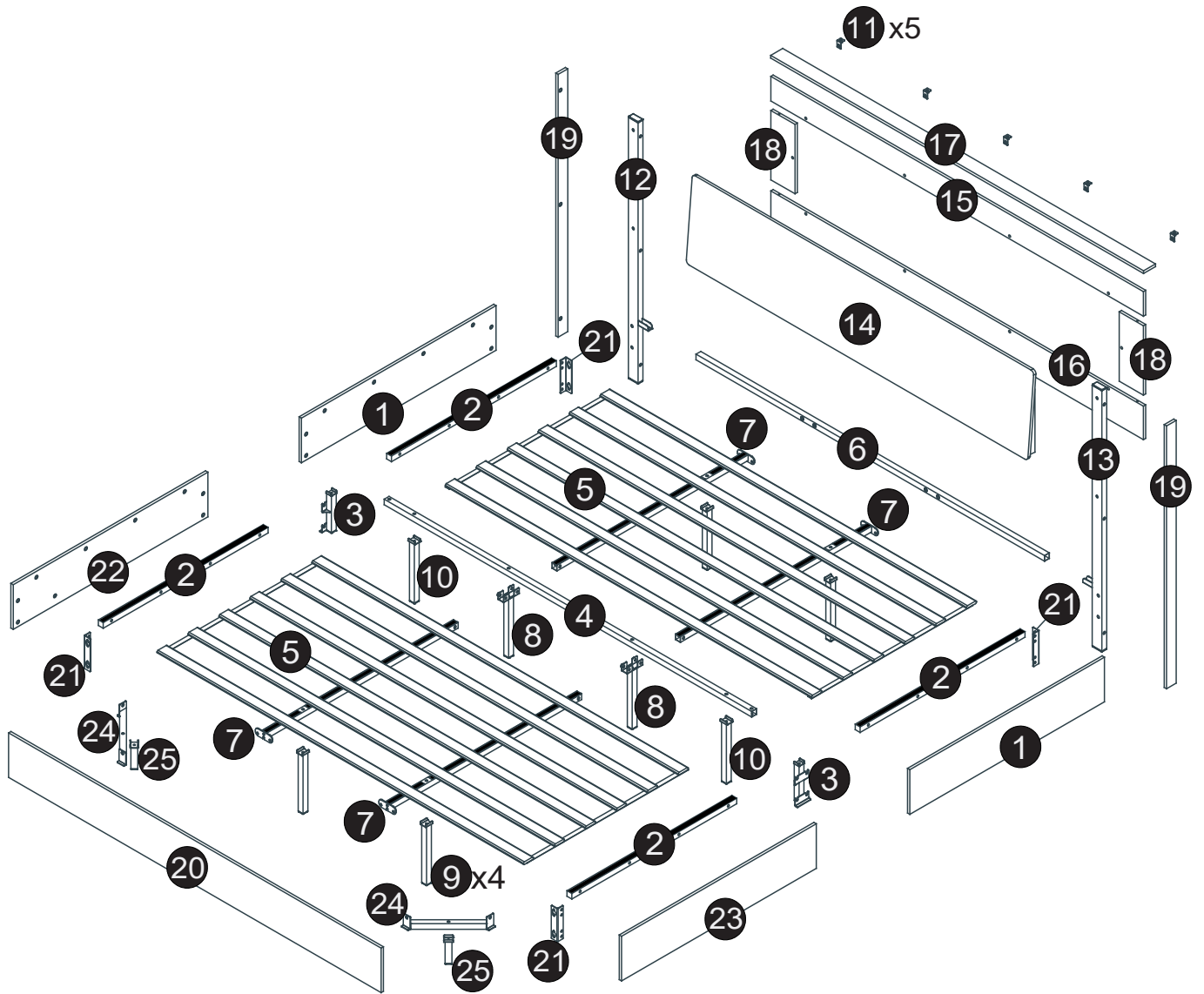
Note:

- 1. Should be assembled on flat ground to keep balance.**
- 2. Before completing the installation, do not tighten the screws.**

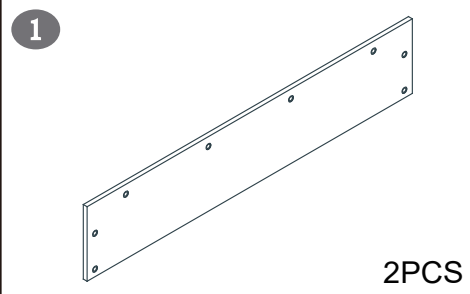

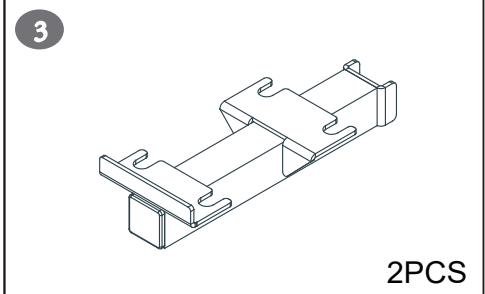
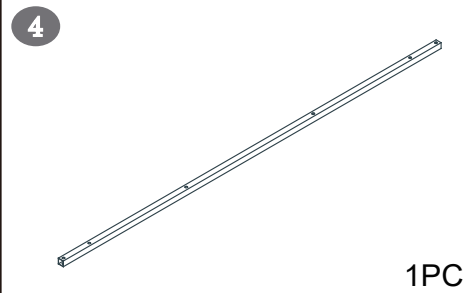
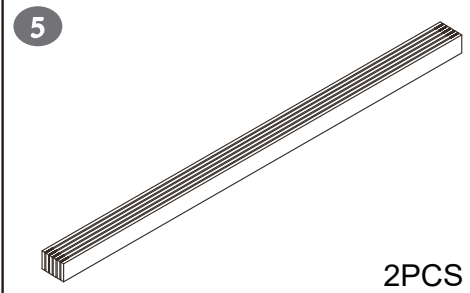
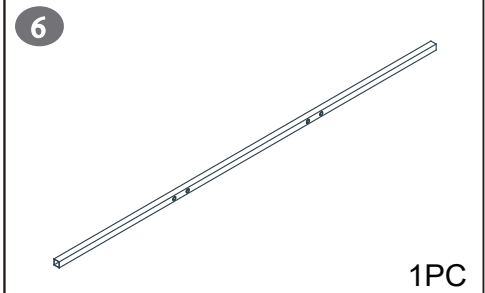

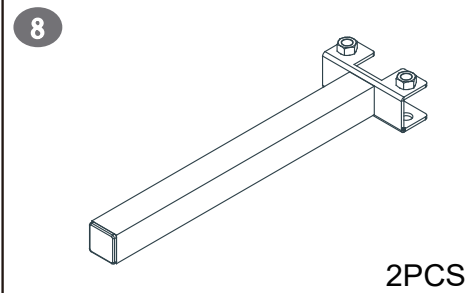
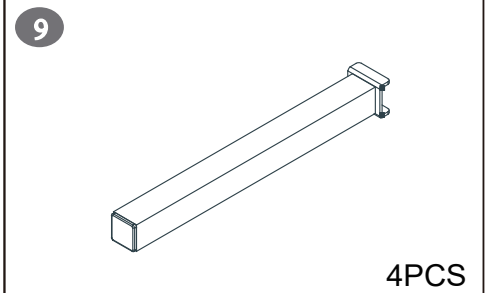
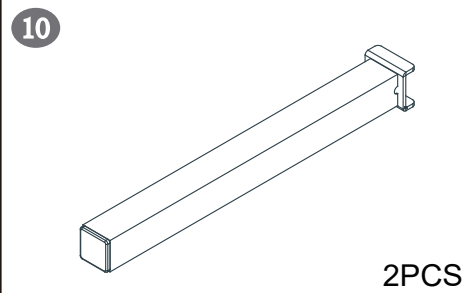
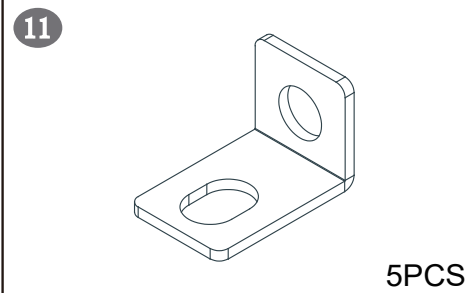
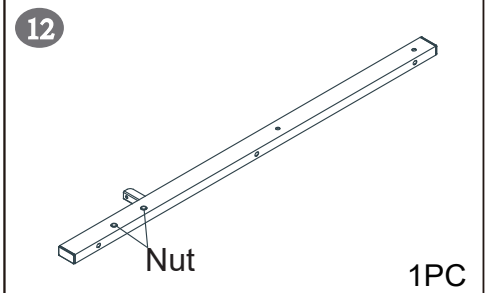
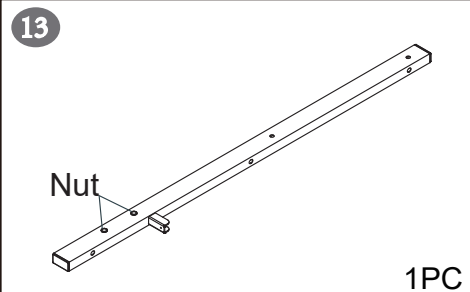
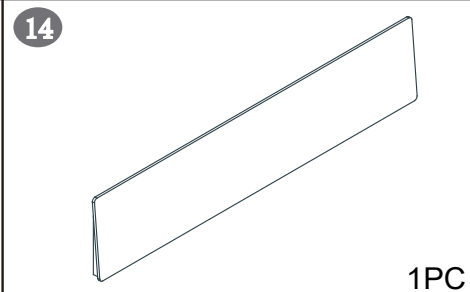
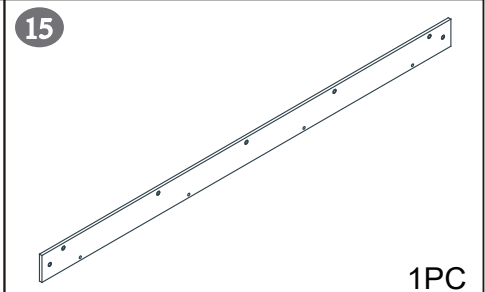
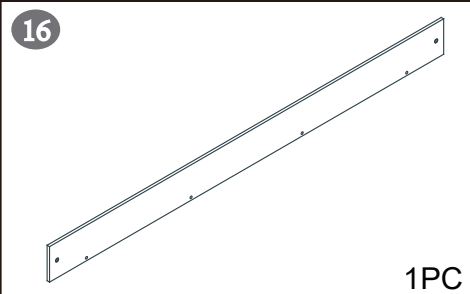
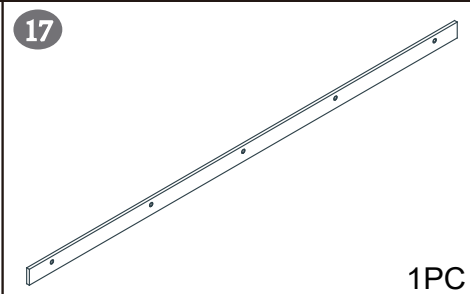
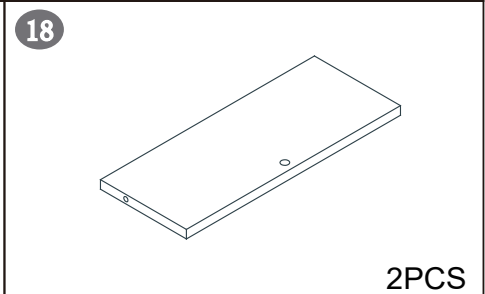


For easier and better assembly, **2** or more adults are required.

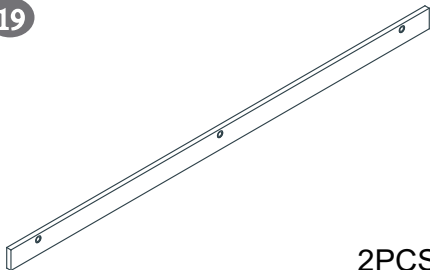
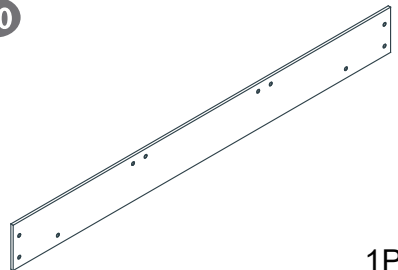
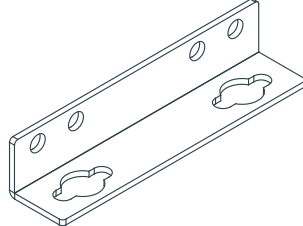
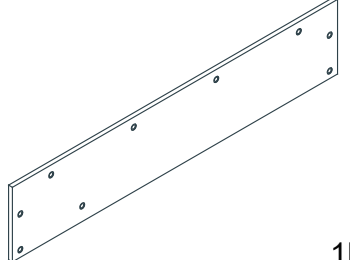
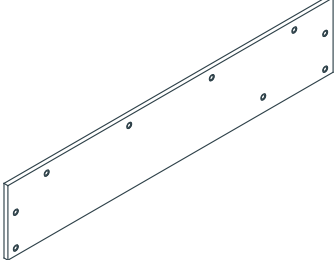
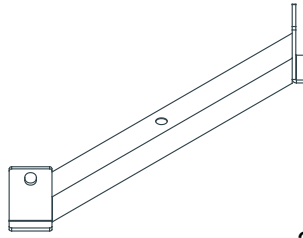
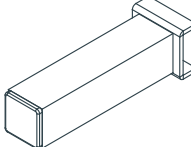


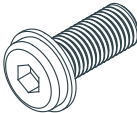
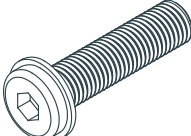
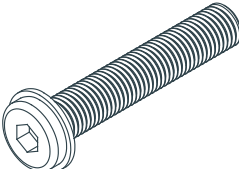
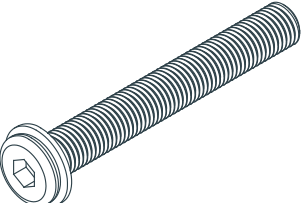
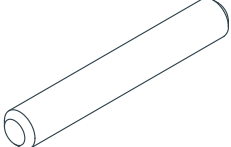
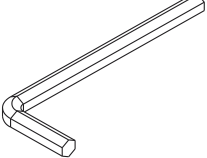
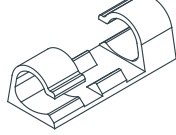
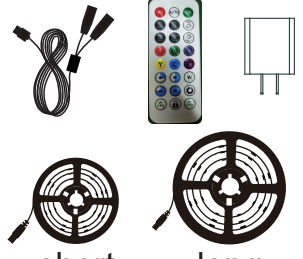
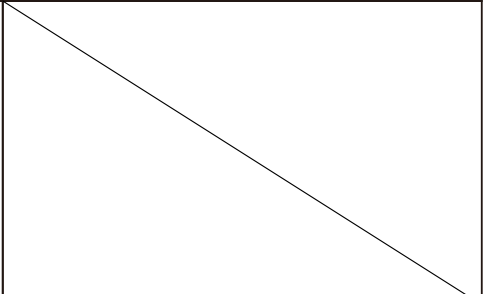
ASSEMBLY INSTRUCTIONS



ASSEMBLY INSTRUCTIONS

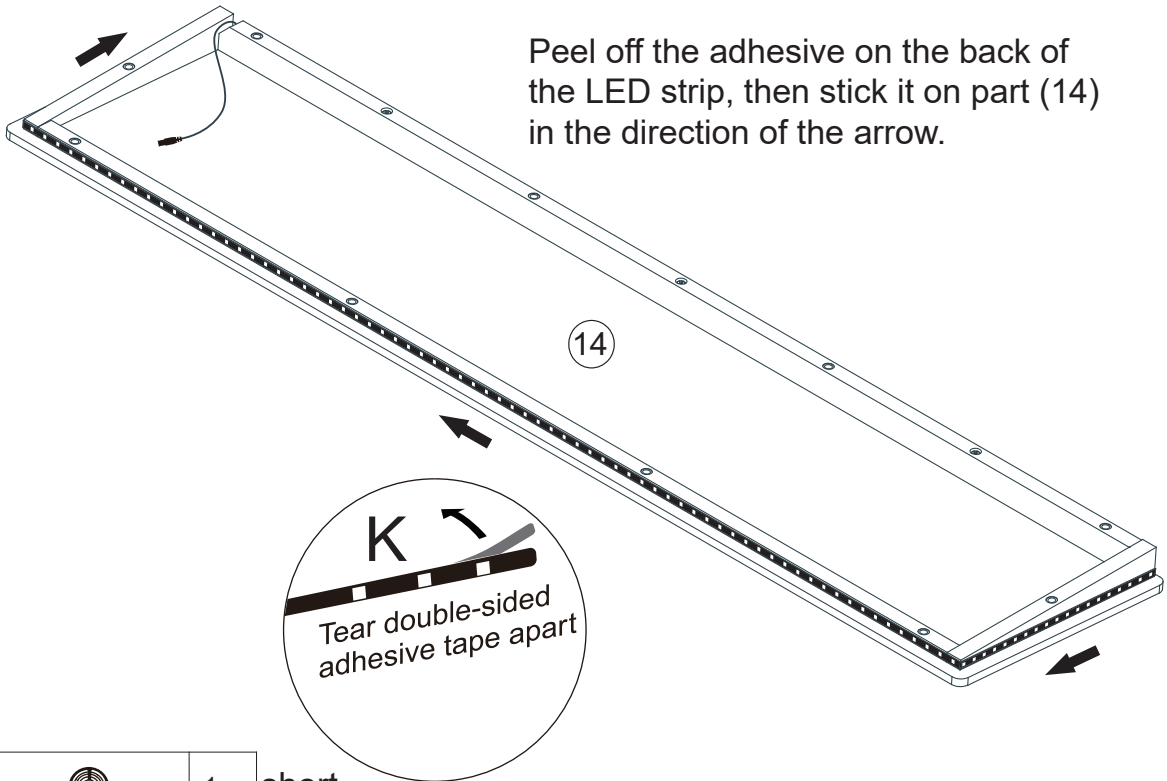
 <p>1</p> <p>2PCS</p>	 <p>2</p> <p>4PCS</p>	 <p>3</p> <p>2PCS</p>
 <p>4</p> <p>1PC</p>	 <p>5</p> <p>2PCS</p>	 <p>6</p> <p>1PC</p>
 <p>7</p> <p>4PCS</p>	 <p>8</p> <p>2PCS</p>	 <p>9</p> <p>4PCS</p>
 <p>10</p> <p>2PCS</p>	 <p>11</p> <p>5PCS</p>	 <p>12</p> <p>Nut</p> <p>1PC</p>
 <p>13</p> <p>Nut</p> <p>1PC</p>	 <p>14</p> <p>1PC</p>	 <p>15</p> <p>1PC</p>
 <p>16</p> <p>1PC</p>	 <p>17</p> <p>1PC</p>	 <p>18</p> <p>2PCS</p>

ASSEMBLY INSTRUCTIONS

<p>19</p>  <p>2PCS</p>	<p>20</p>  <p>1PC</p>	<p>21</p>  <p>4PCS</p>
<p>22</p>  <p>1PC</p>	<p>23</p>  <p>1PC</p>	<p>24</p>  <p>2PCS</p>
<p>25</p>  <p>2PCS</p>	<p>A</p>  <p>M8*12 32PCS</p>	<p>B</p>  <p>white zinc M8*14 8PCS</p>
<p>C</p>  <p>M8*20 14PCS</p>	<p>D</p>  <p>M8*33 34PCS</p>	<p>E</p>  <p>M8*45 6PCS</p>
<p>F</p>  <p>M8*60 6PCS</p>	<p>G</p>  <p>φ6*40 4PCS</p>	<p>H</p>  <p>5*5 1PC</p>
<p>I</p>  <p>3PCS</p>	<p>K</p>  <p>short long 1PC</p>	

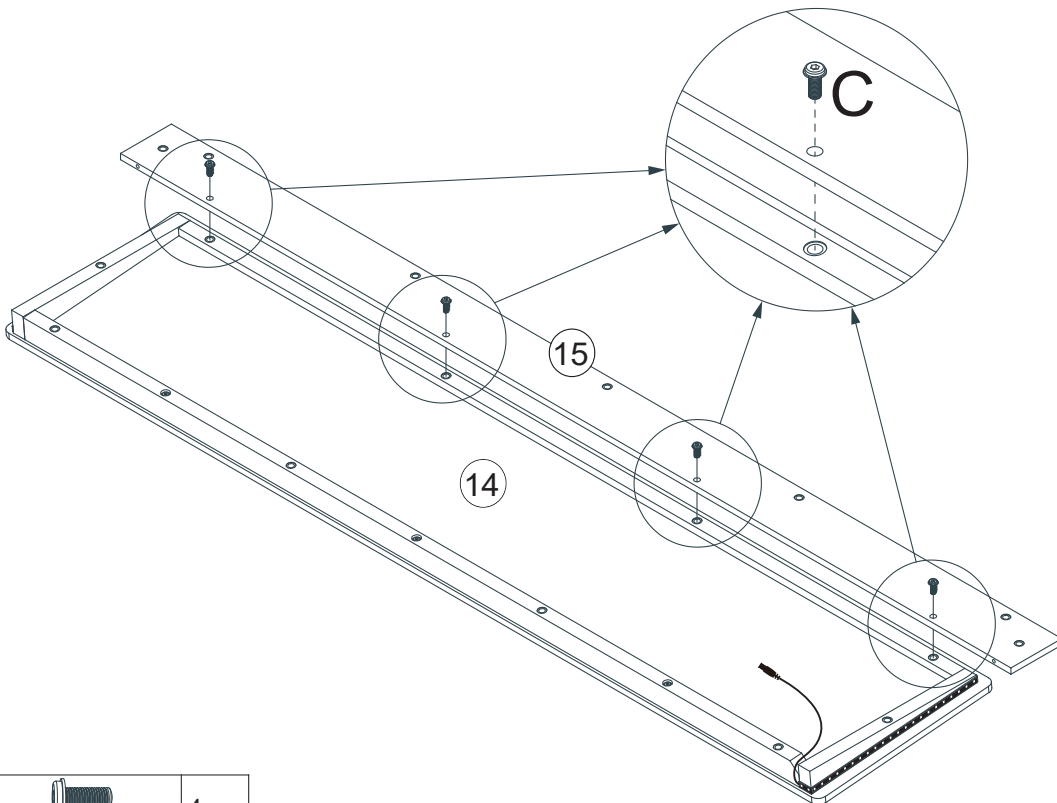
ASSEMBLY INSTRUCTIONS

1



K		1pc short
----------	---	-----------

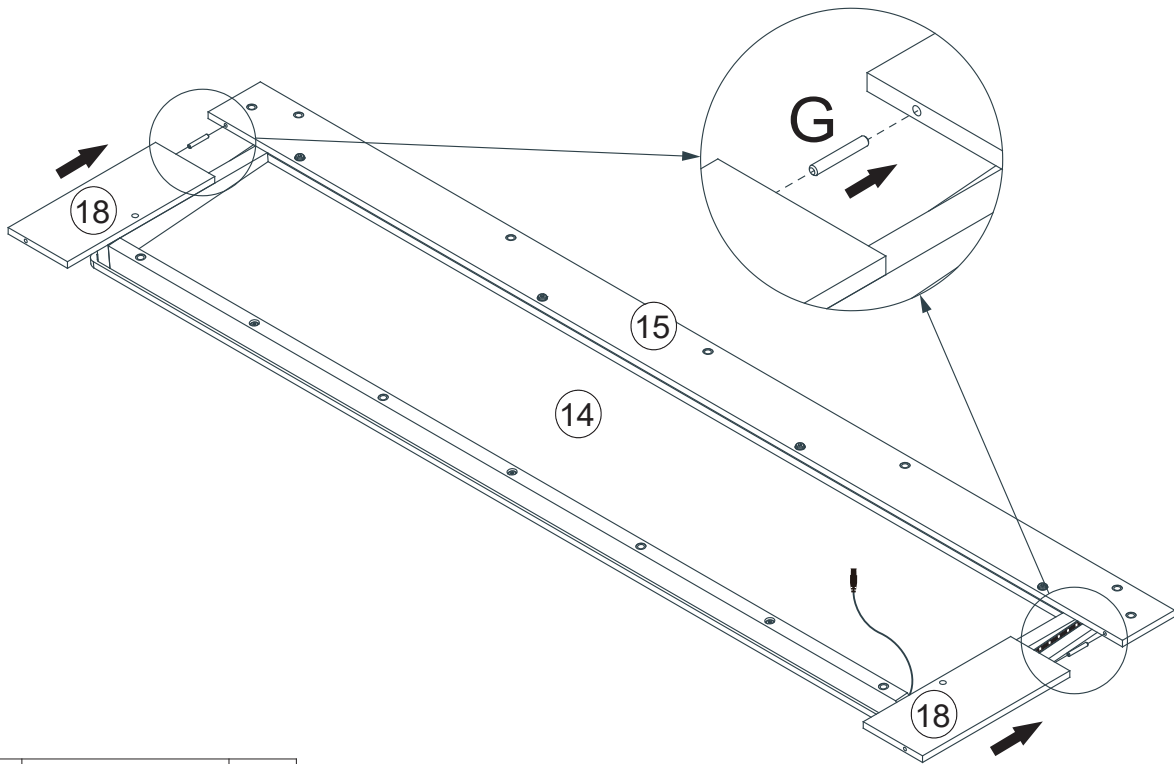
2

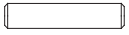


C		4 pcs
----------	---	-------

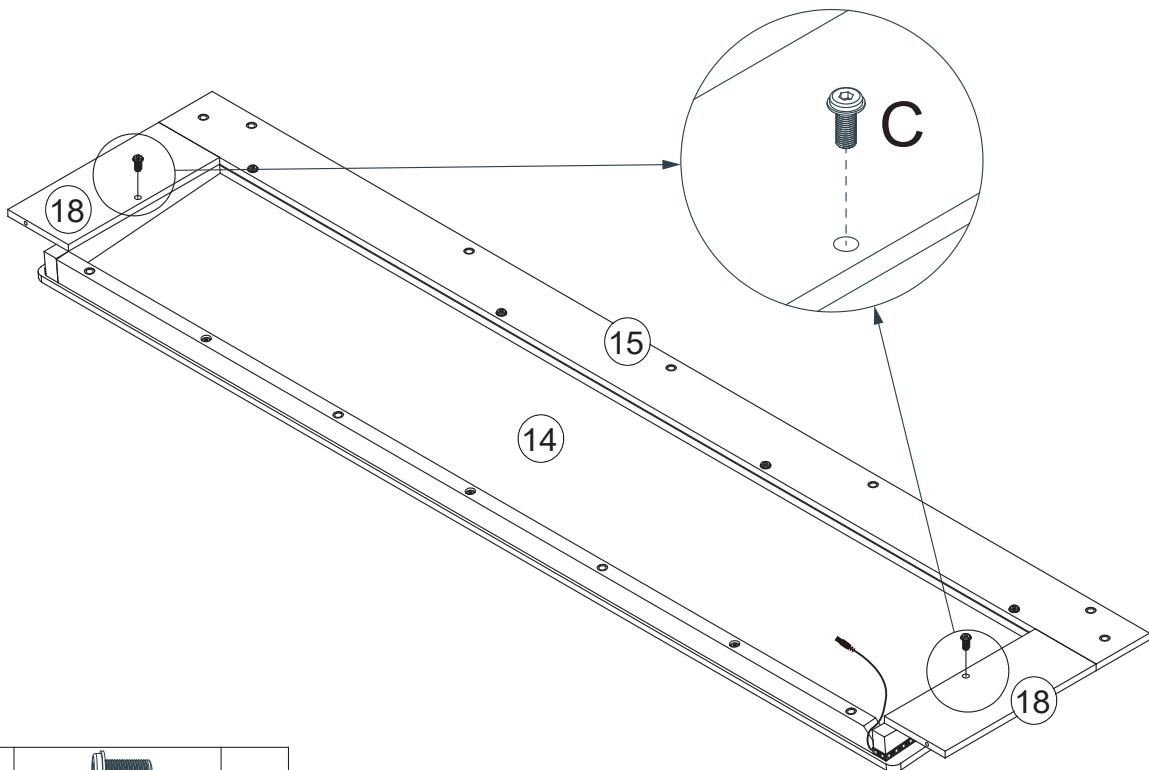
ASSEMBLY INSTRUCTIONS

3



G		2 pcs
	$\varnothing 6 \times 40$	

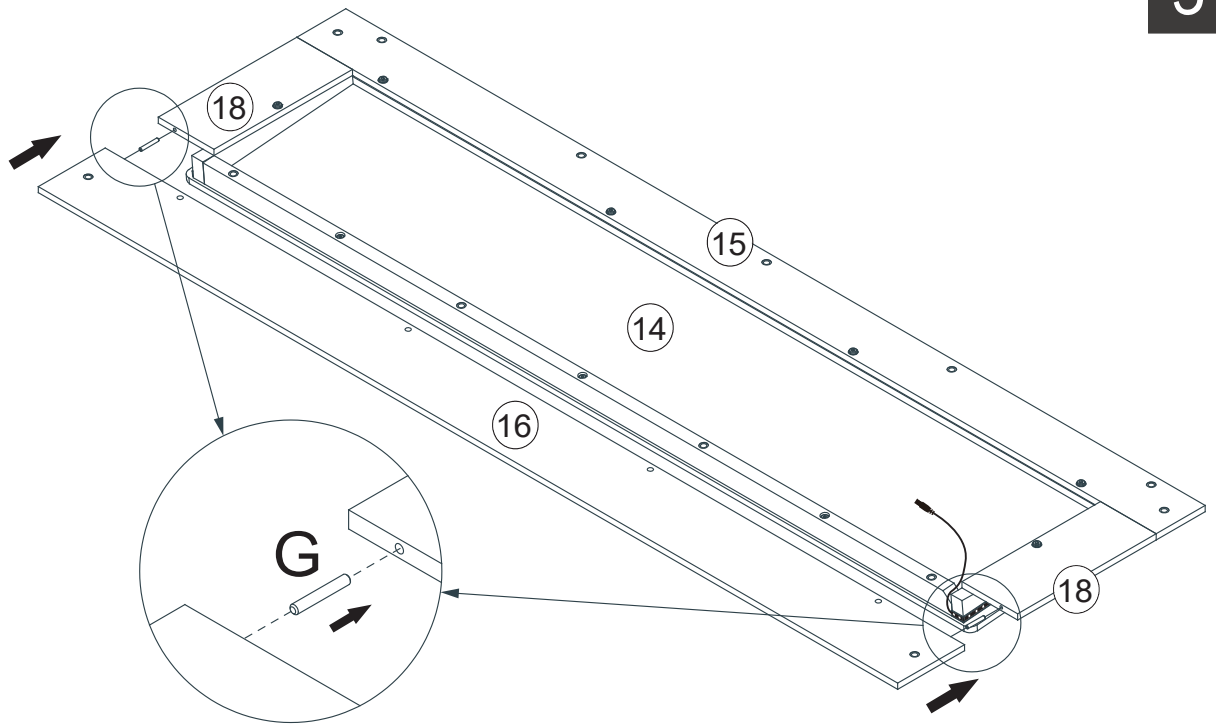
4

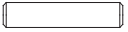


C		2 pcs
	M8x20	

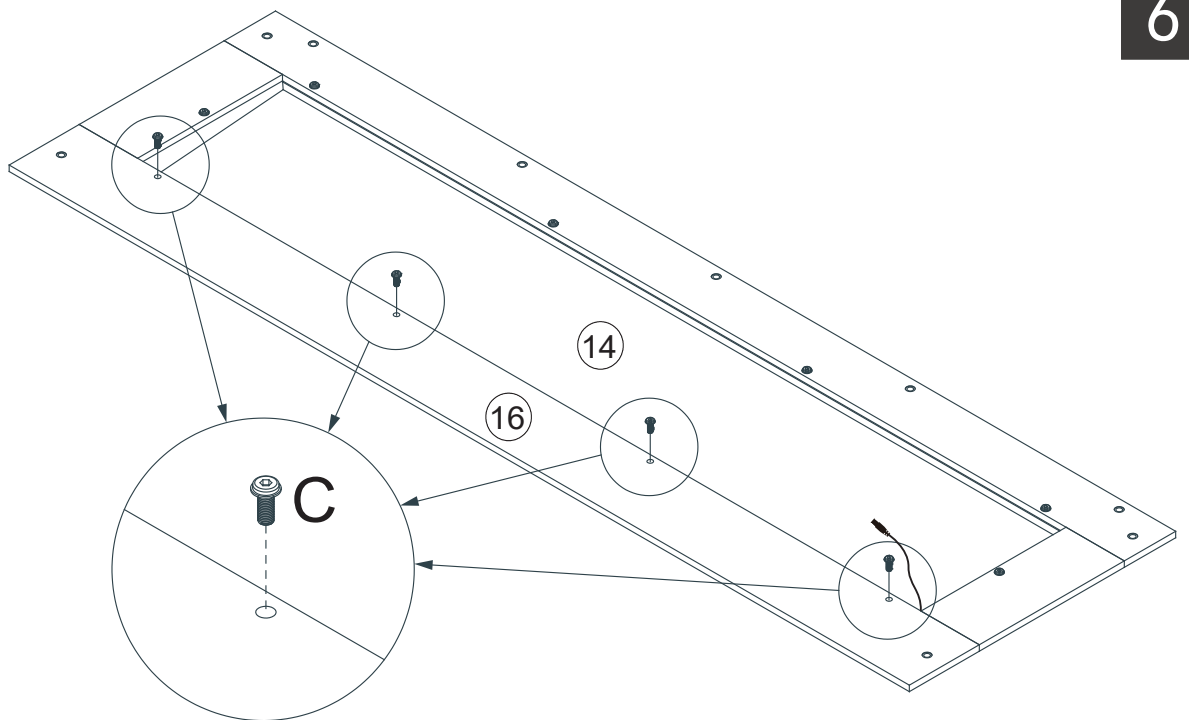
ASSEMBLY INSTRUCTIONS

5



G		2 pcs
	φ6x40	

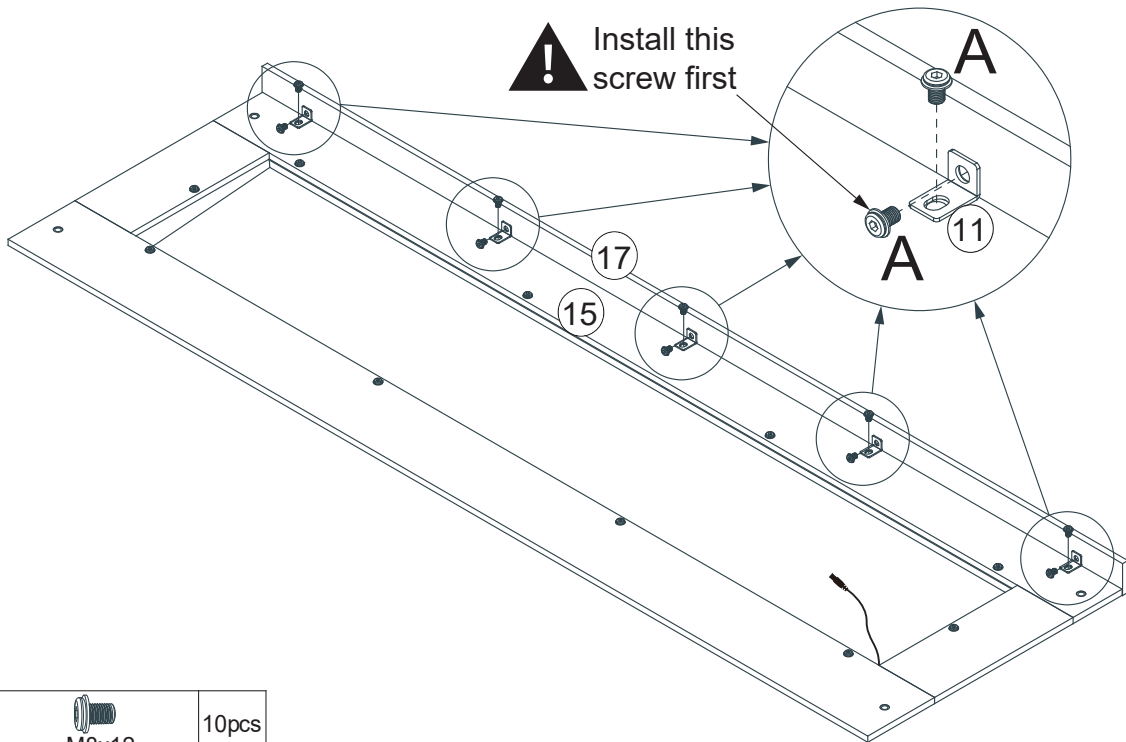
6



C		4 pcs
	M8x20	

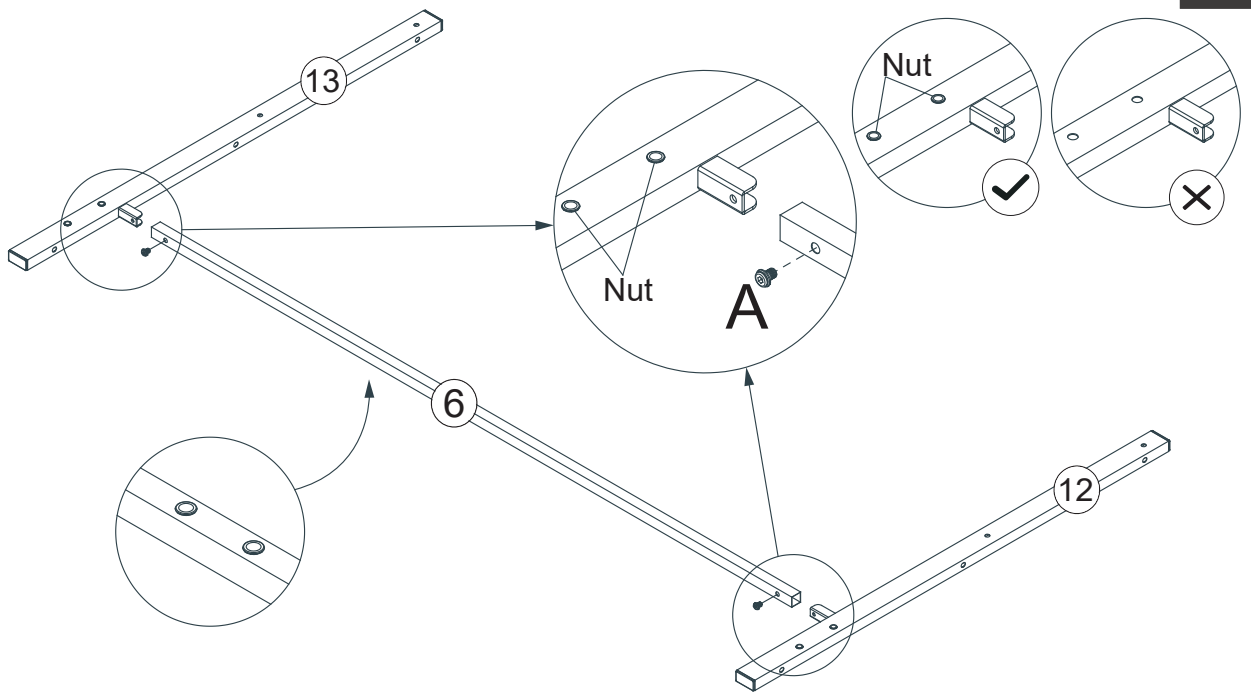
ASSEMBLY INSTRUCTIONS

7



A	 M8x12	10pcs
---	--	-------

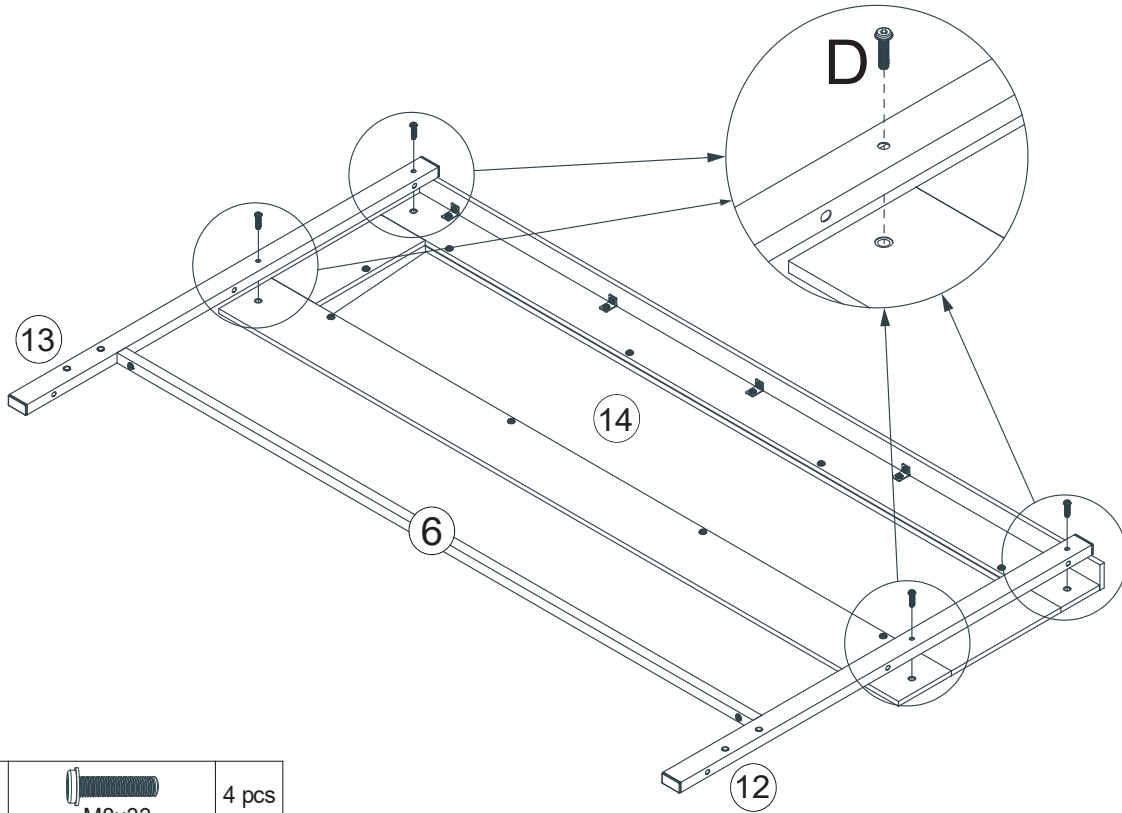
8



A	 M8x12	2pcs
---	--	------

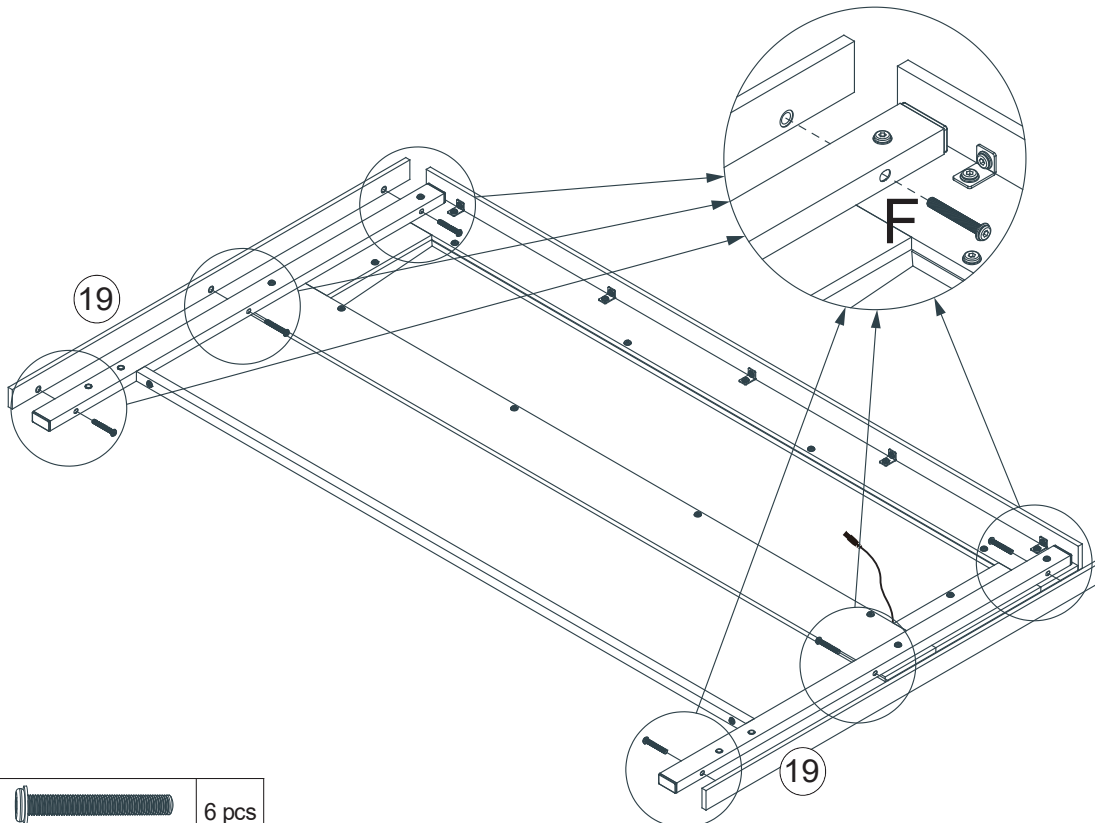
ASSEMBLY INSTRUCTIONS


9



D		4 pcs
	M8x33	

10

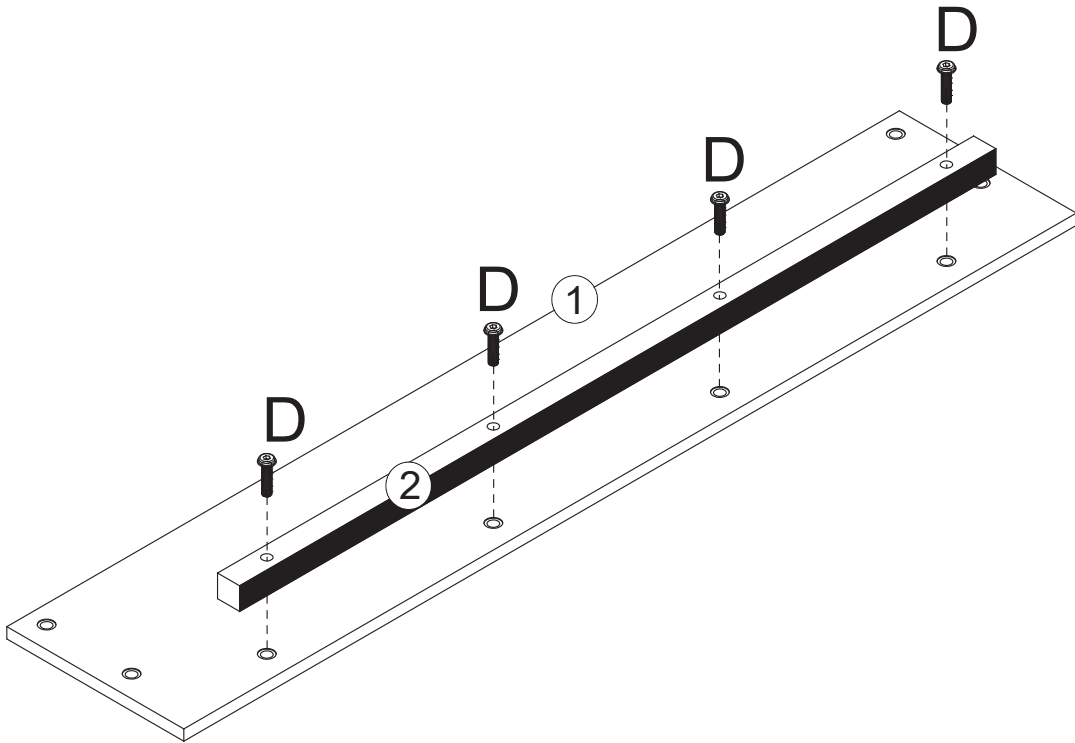


F		6 pcs
	M8x60	

ASSEMBLY INSTRUCTIONS

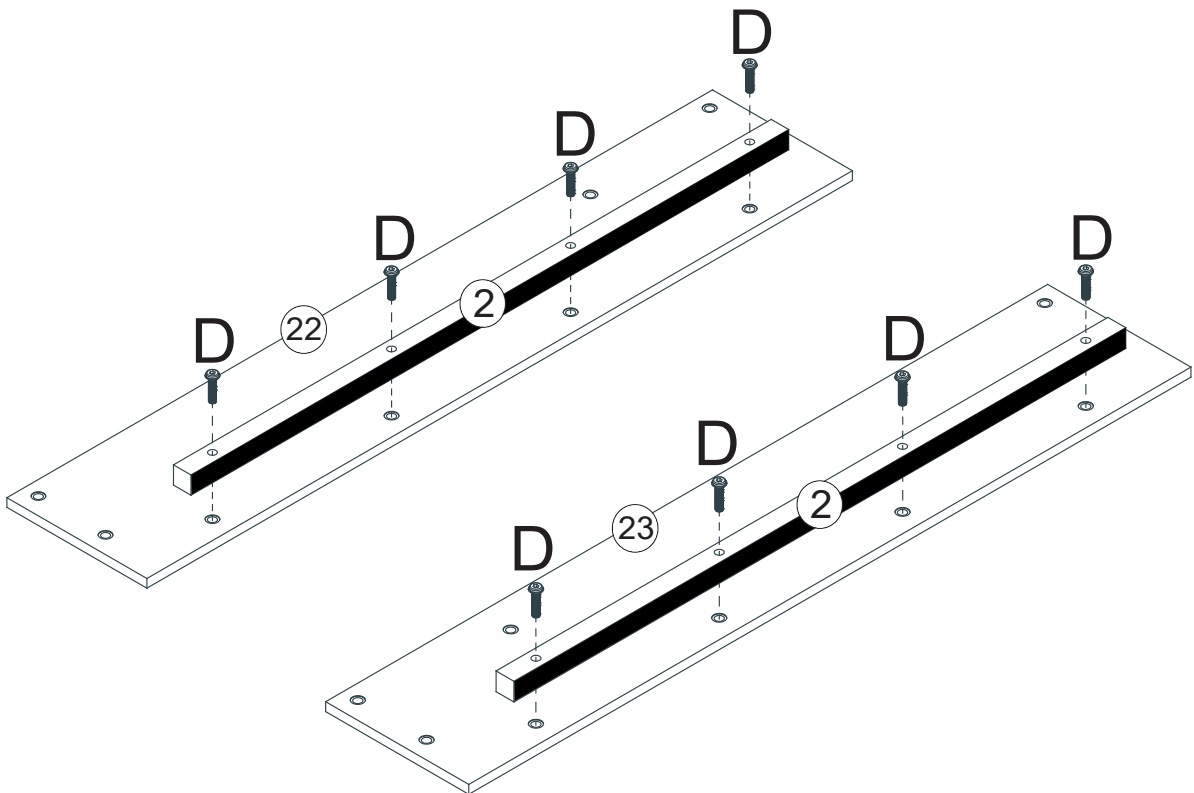
11

x2



D	 M8x33	8 pcs
---	--	-------

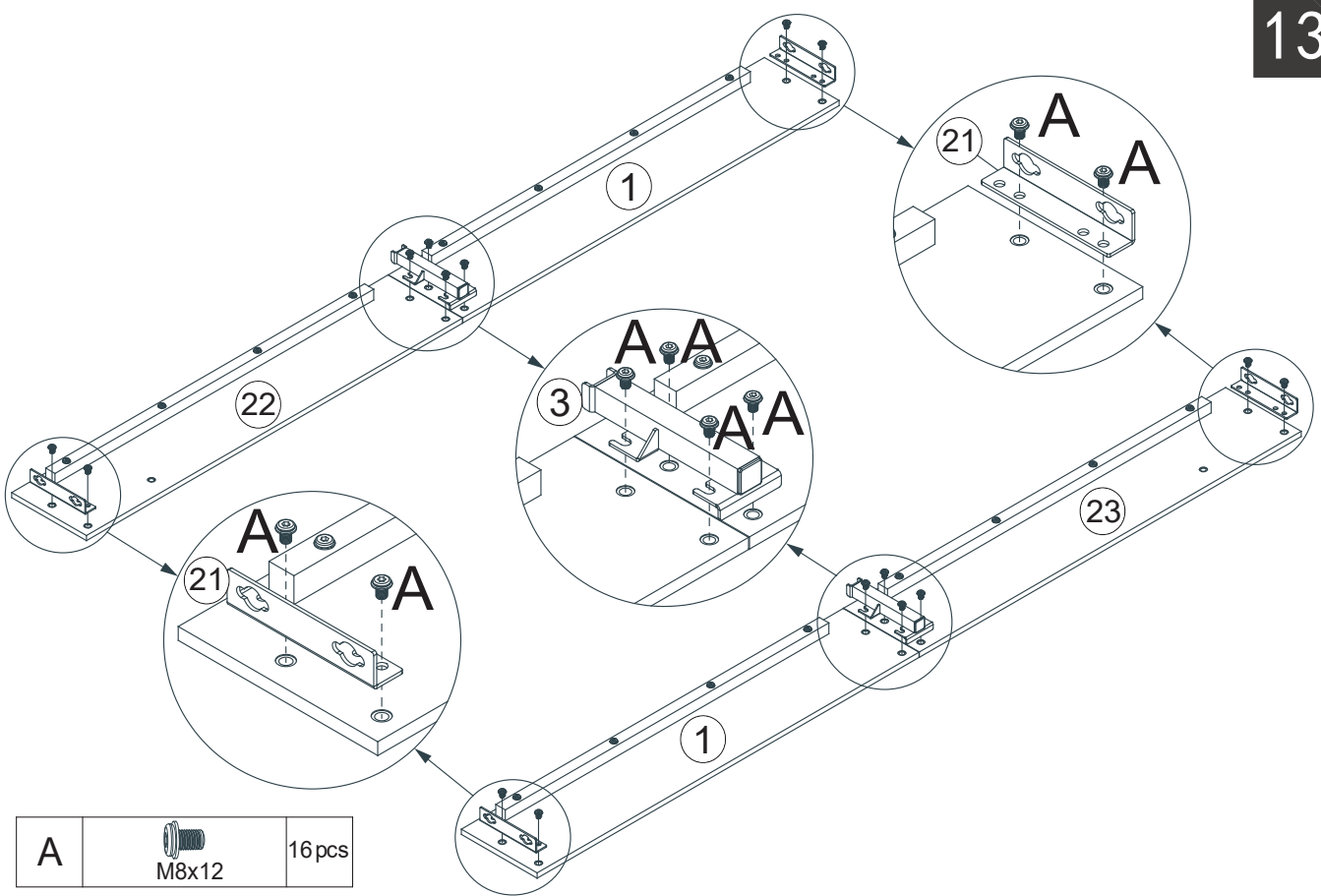
12



D	 M8x33	8 pcs
---	--	-------

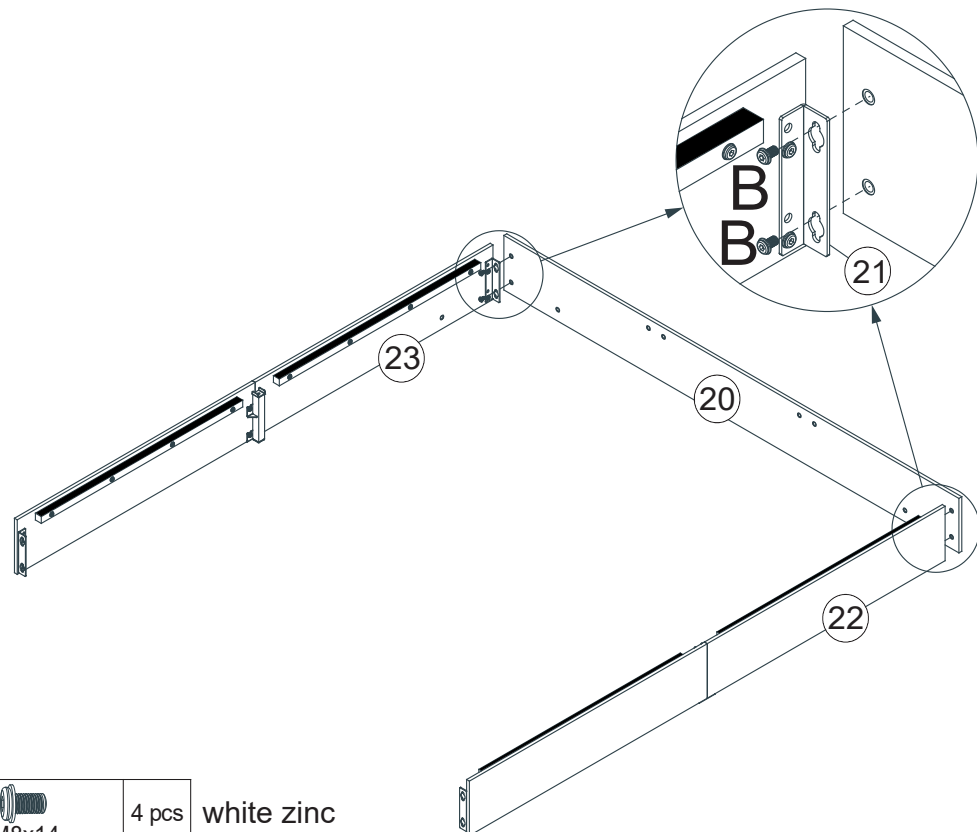
ASSEMBLY INSTRUCTIONS


13



A		16 pcs
M8x12		

14

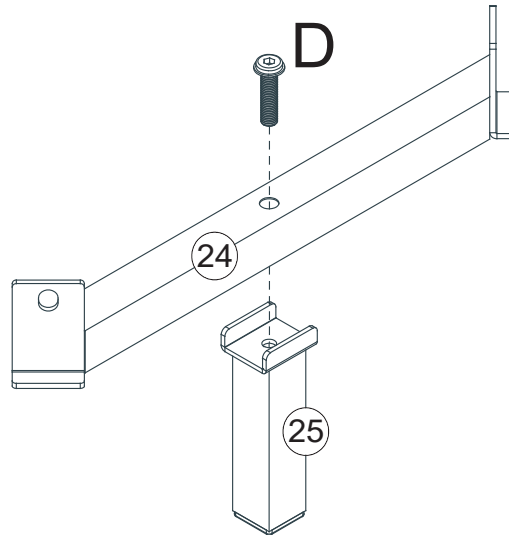


B		4 pcs	white zinc
M8x14			

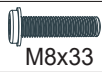
ASSEMBLY INSTRUCTIONS

15

x2

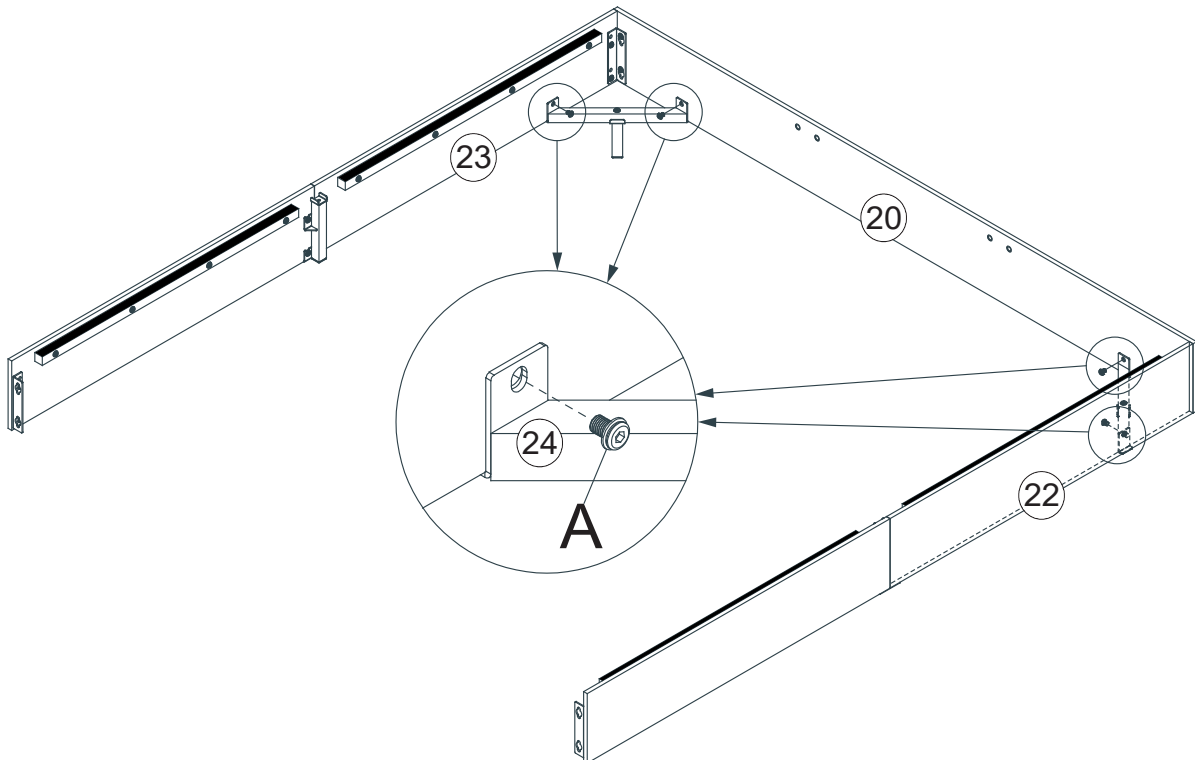


D



2 pcs

16



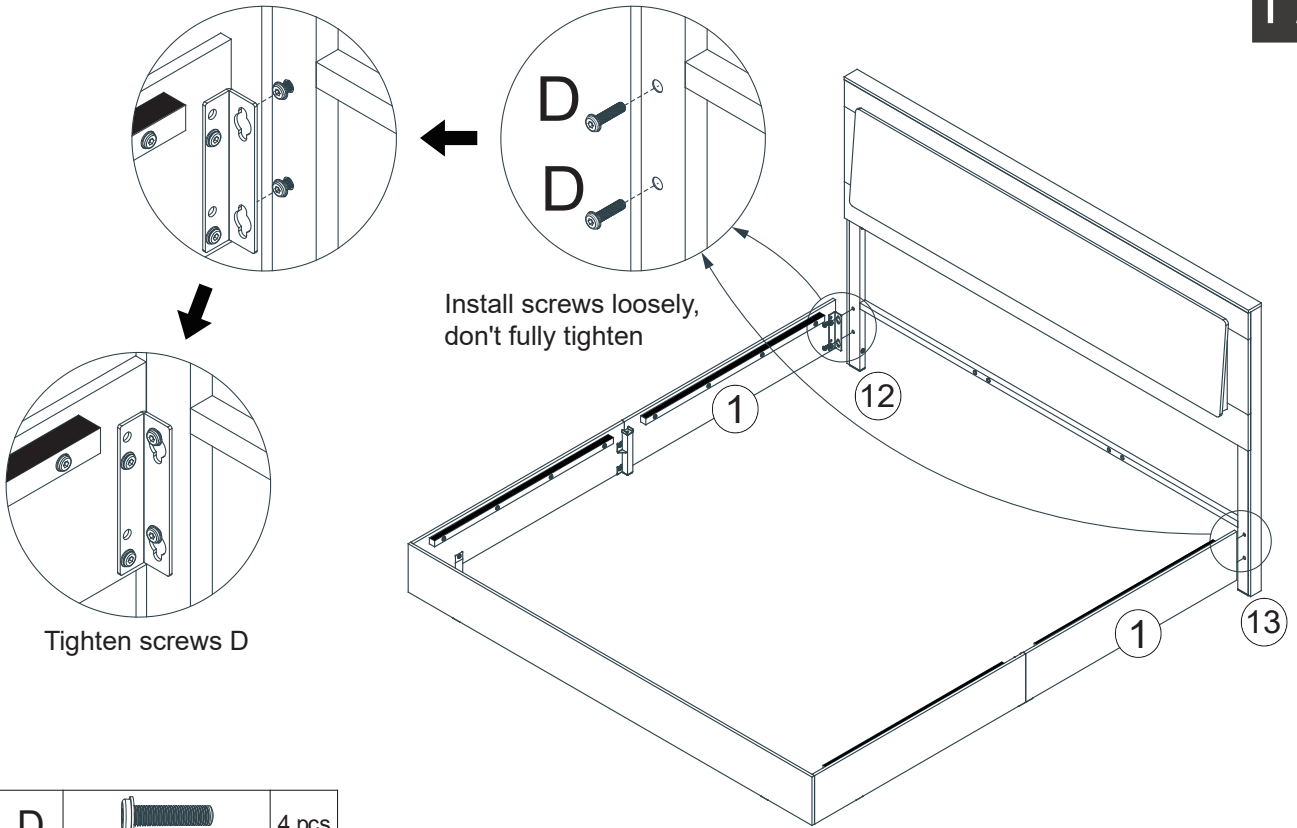
A



4 pcs

ASSEMBLY INSTRUCTIONS

17



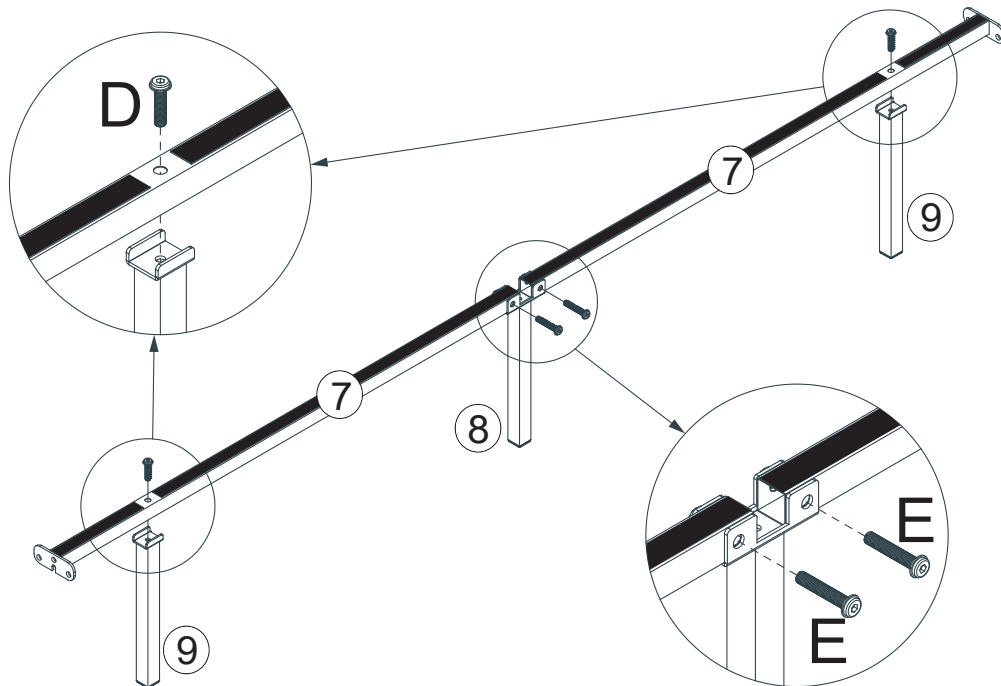
Tighten screws D



Install screws loosely,
don't fully tighten

D		4 pcs
	M8x33	

18

x2

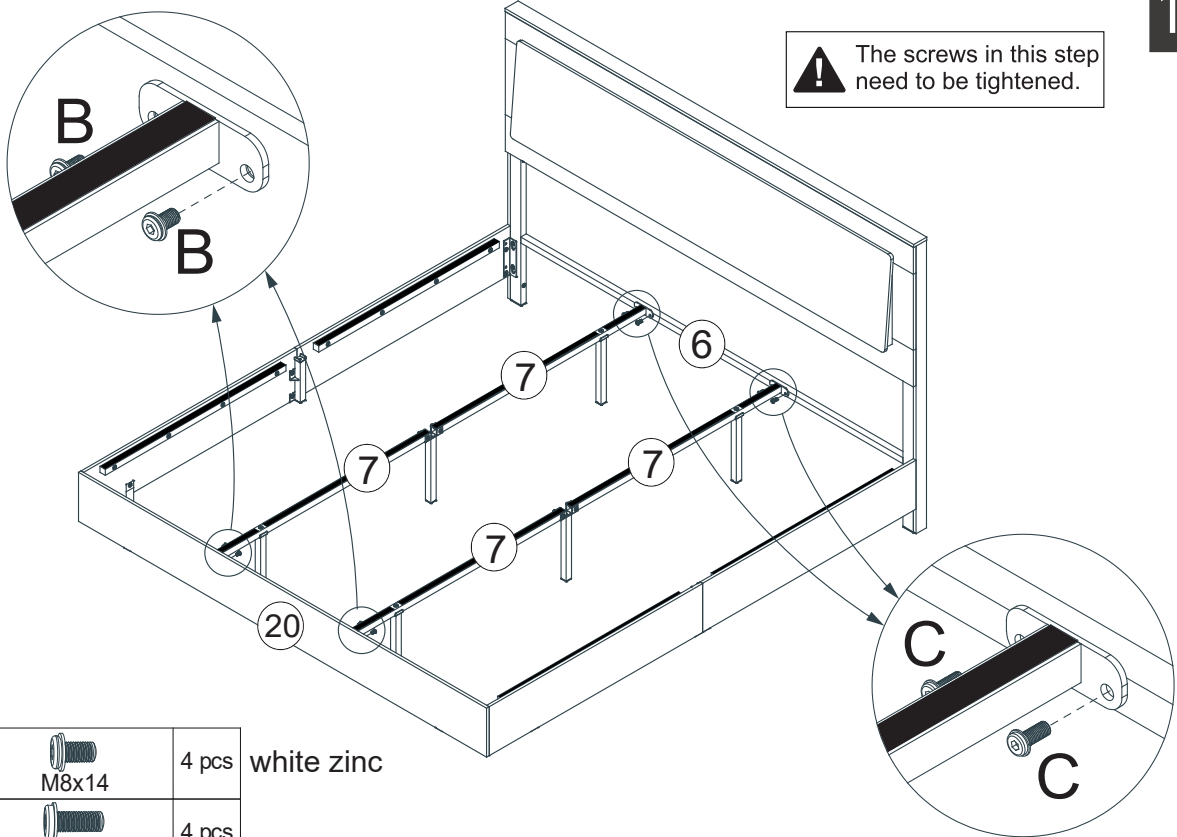


D		4 pcs
	M8x33	
E		4 pcs
	M8x45	



! Do not fully tighten
the screws yet.

ASSEMBLY INSTRUCTIONS

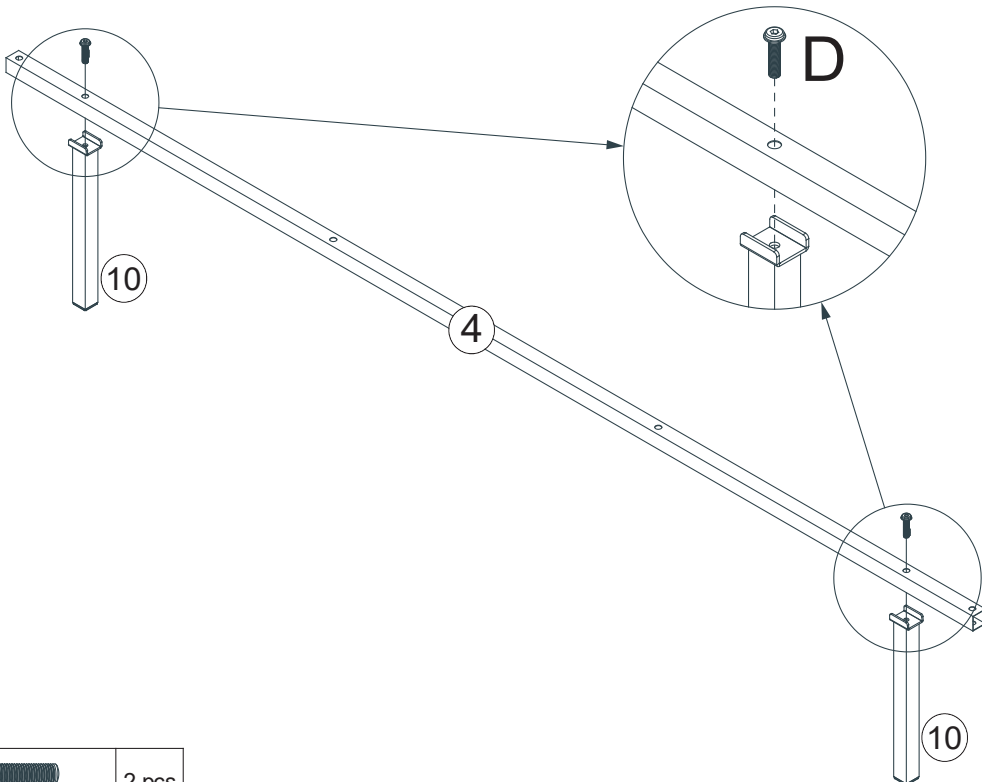
19




! The screws in this step need to be tightened.

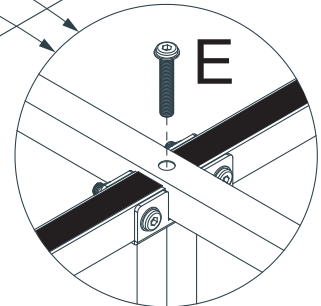
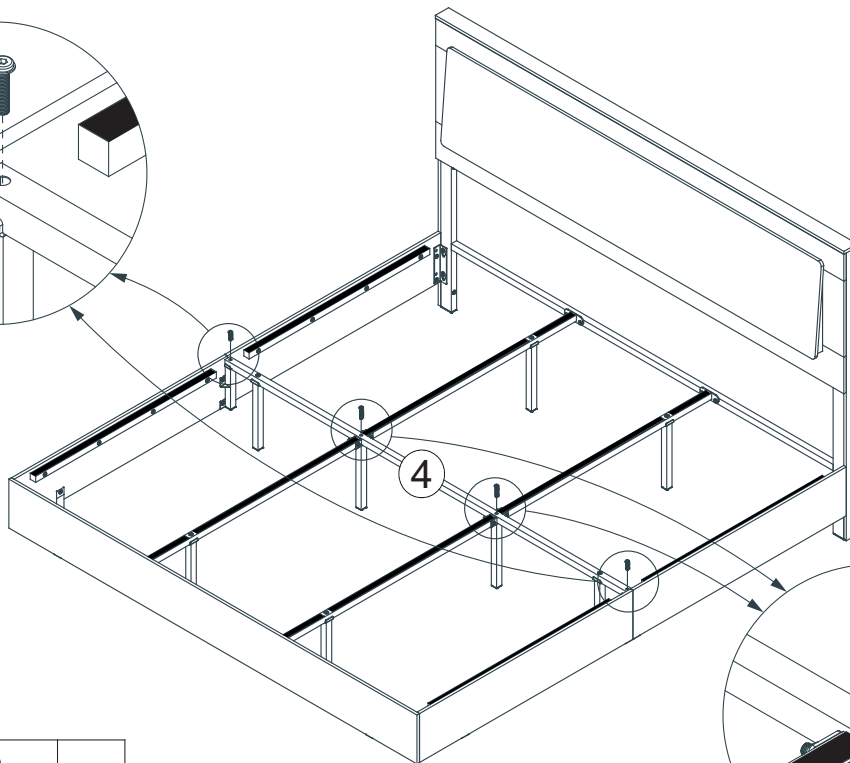
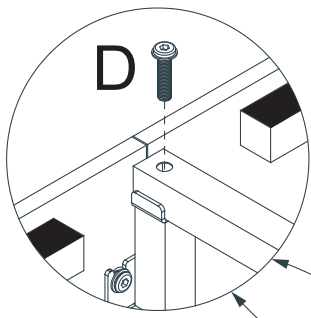
B	 M8x14	4 pcs	white zinc
C	 M8x20	4 pcs	



20



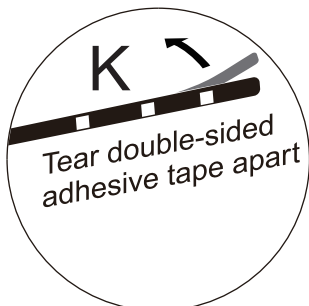
D	 M8x33	2 pcs
---	---	-------

21

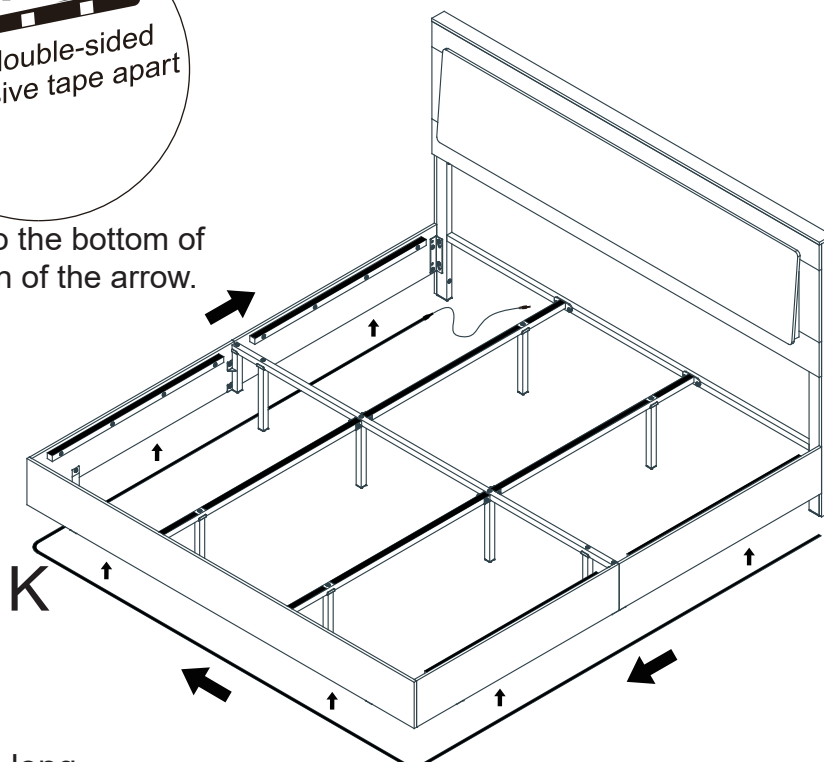


D	 M8x33	2 pcs
E	 M8x45	2 pcs

22



Attach the LED strip to the bottom of the bed in the direction of the arrow.

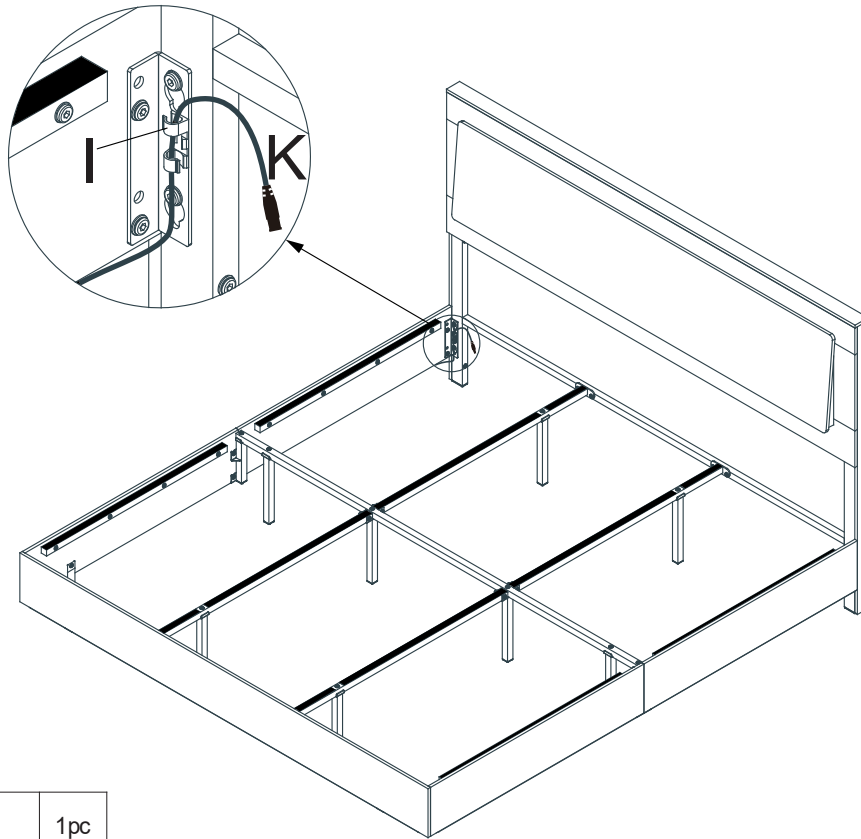


K		1pc long
---	---	----------

ASSEMBLY INSTRUCTIONS

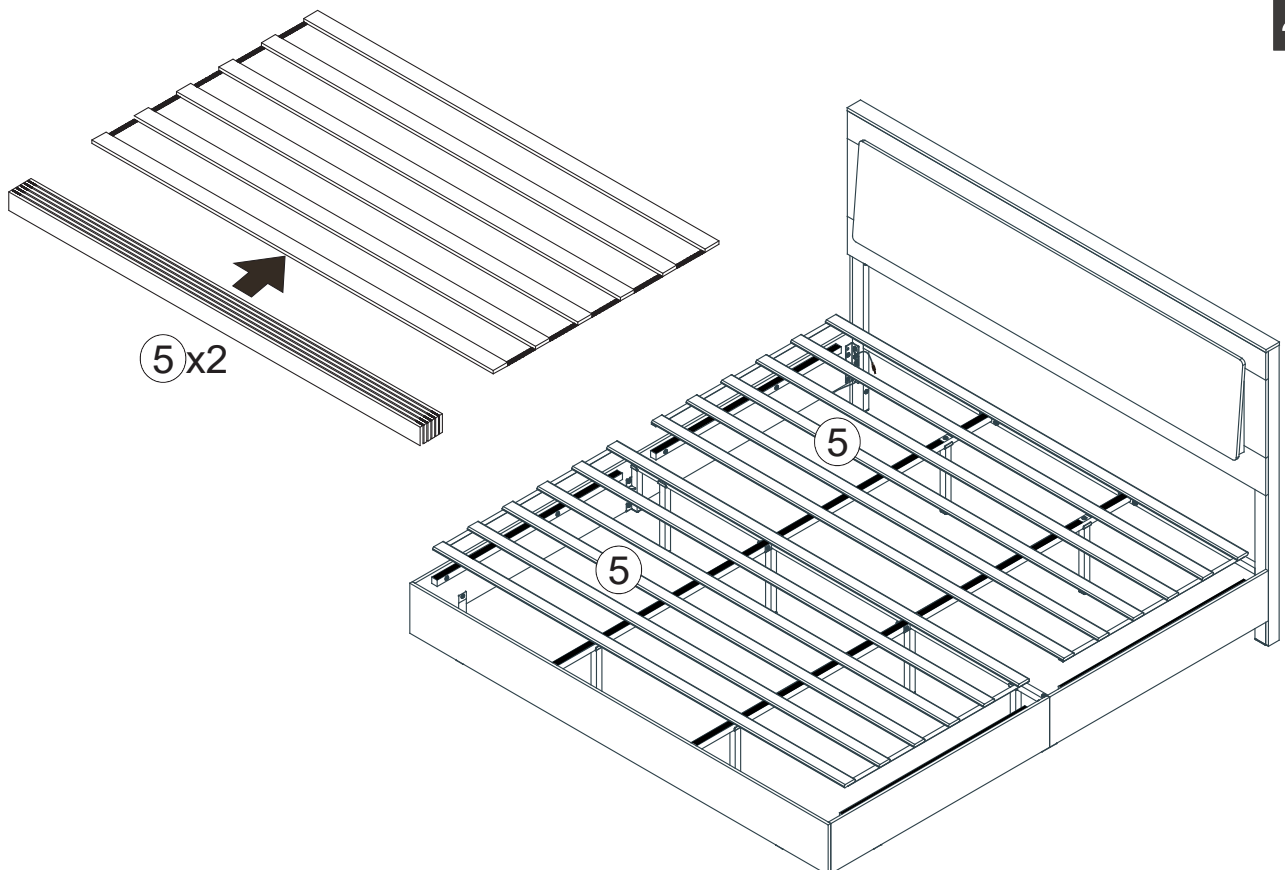
23

Tear off adhesive tape on Part I, then stick it to part 21. Use part I to organize cables.



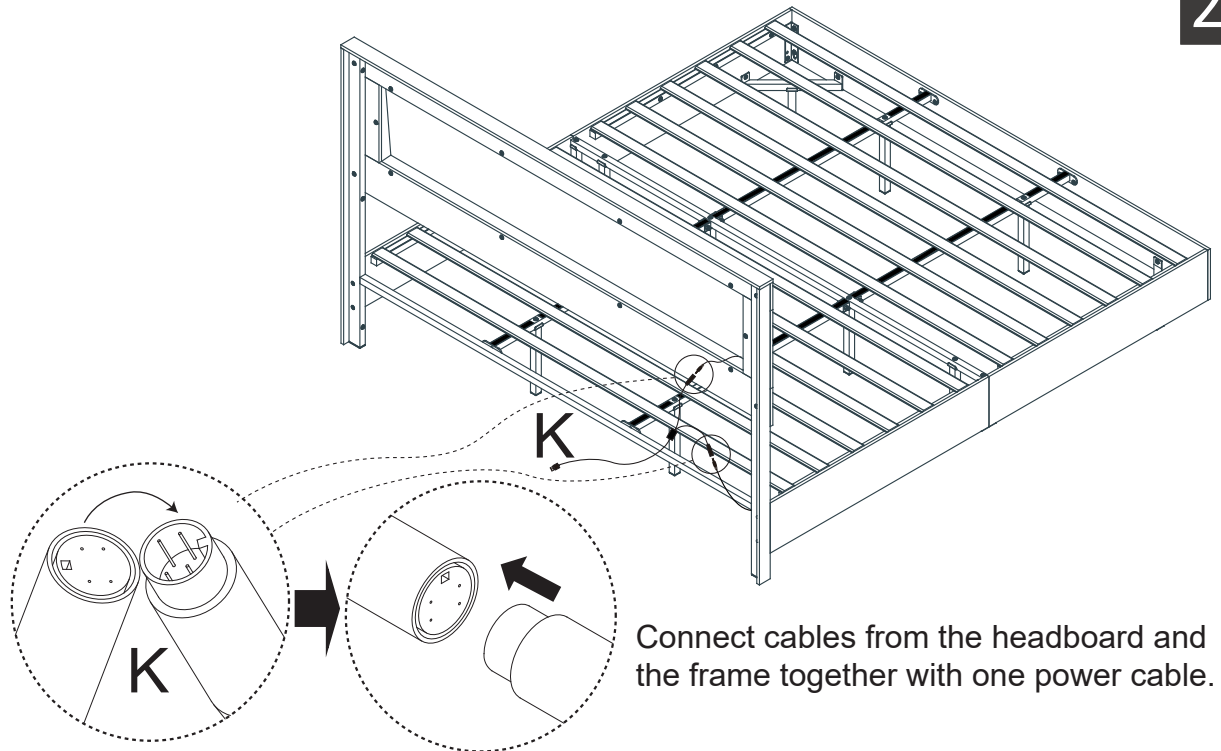
I		1pc
---	--	-----

24

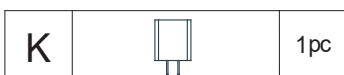
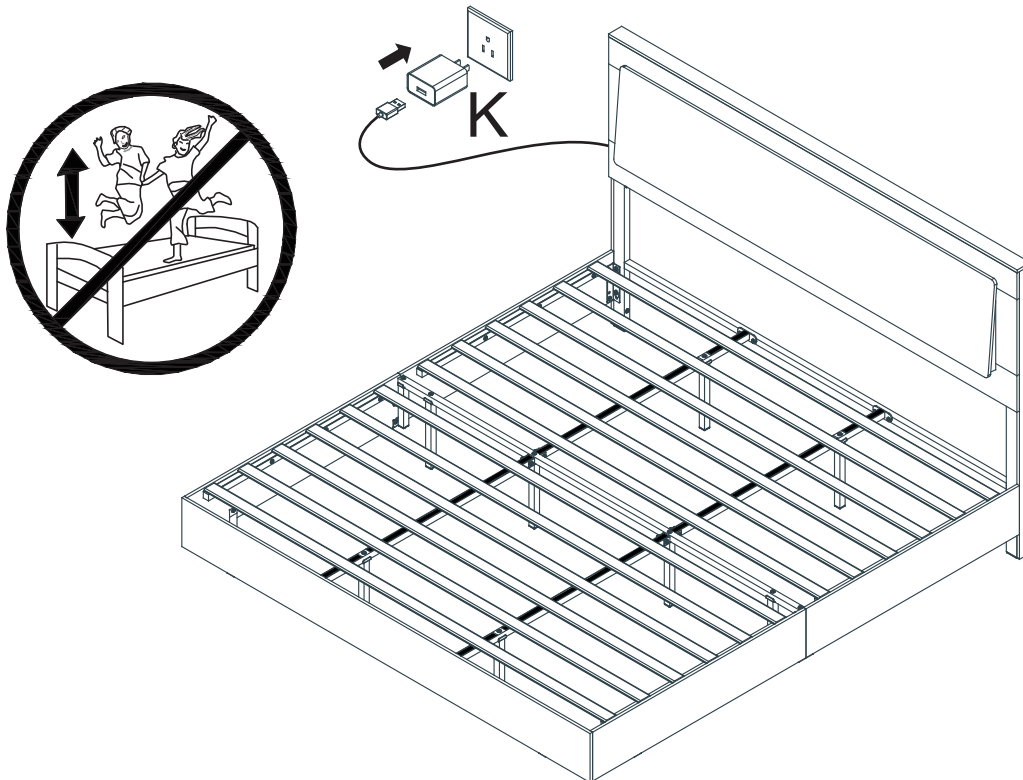


ASSEMBLY INSTRUCTIONS

25



26



Installation Complete