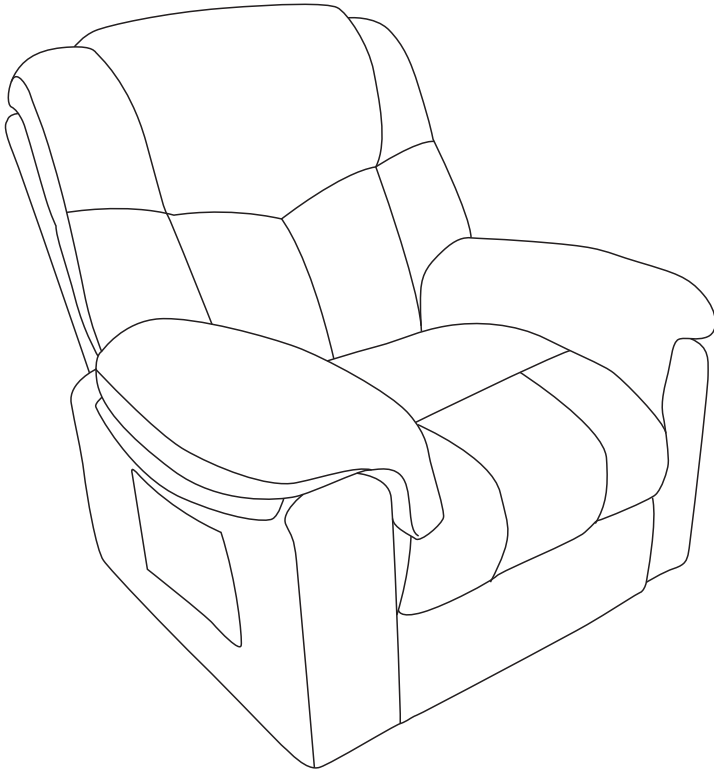


CE  UK
CA

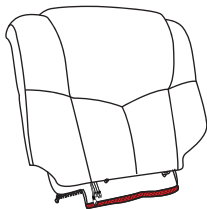
Recliner Assembly Instructions



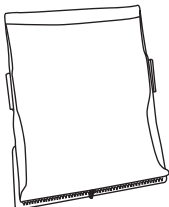
Accessories Display

CAUTION: Please check and ensure all the things are in the package. You can contact us if something is not included. We will reply within 24 hours and try our best to solve it.

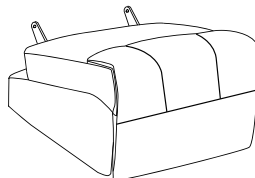
Warm tips: in order to facilitate the transport, the backrest, cushions and armrests are vacuum compressed in a plastic bag. The received product will not be as full as the picture shows. Please don't worry, after you take it out of the bag, you need to gently pat it for a few minutes, or put it in the sunshine to dry for a day, after 7 hours at the most, it can recover up to 95% of the elasticity.



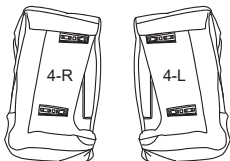
1. Back Cushion* 1pc



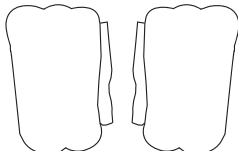
2. Back Frame* 1pc



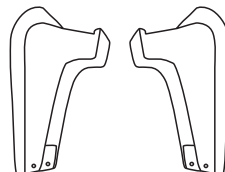
3. Seat* 1pc



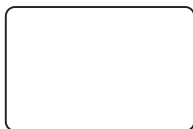
4. Armrest*2pc



5. Armrest Pillow R&L*2pc

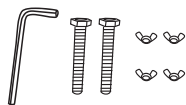


6. cup holder*2pc



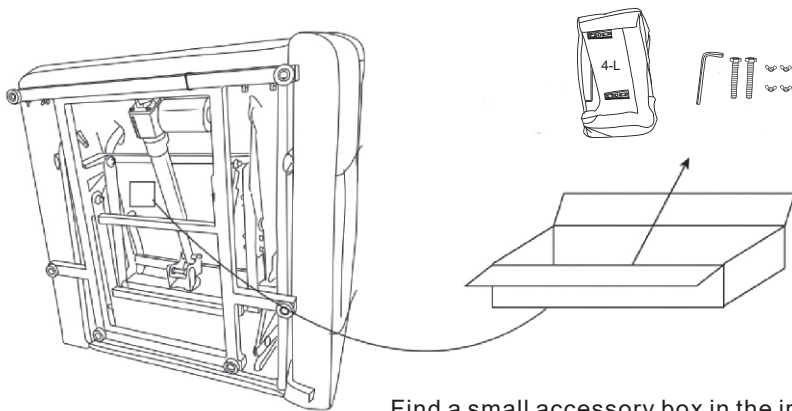
7. Sponge pad*1pc

Accessories Display



A Screw Accessories* 1pc

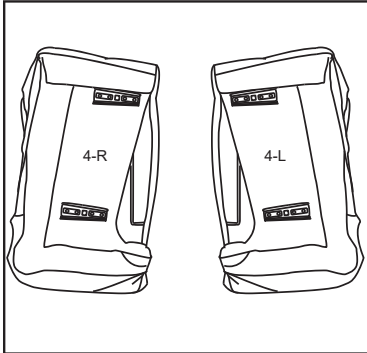
**Please turn the seatbase over and
Find the components: 4-L/A/B/C/6*1**



Find a small accessory box in the iron frame,
take them out and assemble the
accessories on the sofa

Armrest Assembly

CAUTION: At least two adults are required to safely complete performing this task. Other lifting attempts may risk back injury due to large and heavy part(s).



01

After opening the package, take out the left armrest (**4-L**) and right armrest (**4-R**), and lay them flat on the ground.

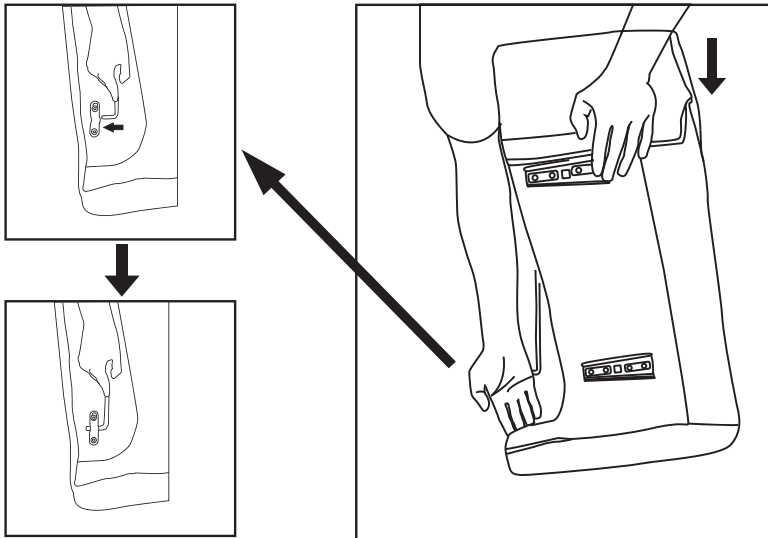


02

It is recommended to prop the armrests vertically

Armrest Assembly

CAUTION: At least two adults are required to safely complete performing this task.
Other lifting attempts may risk back injury due to large and heavy part(s).



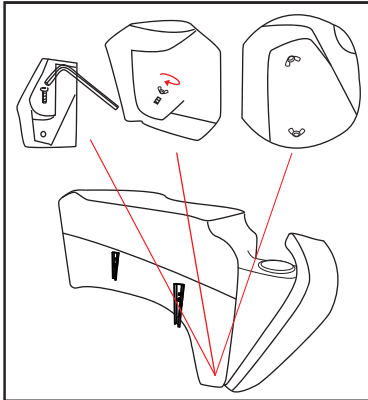
03

Place one hand on the short board area in the diagram and apply downward pressure while placing the other hand on the bottom area to install the hook section as shown in the diagram.

Please use the same method as steps 01-03 to install the left armrest 4 - L and right armrest 4 - R to be mounted

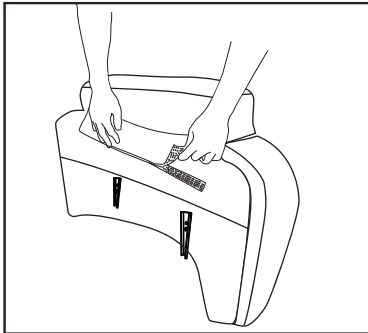
Armrest Assembly

CAUTION: At least two adults are required to safely complete performing this task.
Other lifting attempts may risk back injury due to large and heavy part(s).



04

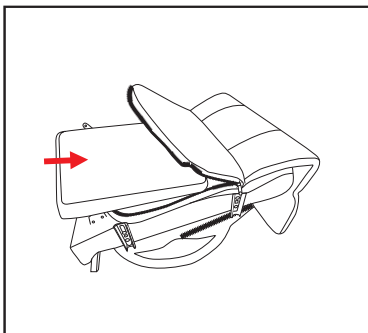
Align the bottom hole of the cup holder **(6)** assembly with the assembled screws **(C)** on the armrest **(4-L)** and tighten them. Then align the other hole position of the cup holder assembly with the armrest hole position with a screw, and tighten the screw.



05

After closing the zipper, stick the Velcro on the armrest and armrest pillow **(5)**.

Please use the same method as steps 04-05 to install the left armrest 4 - L and right armrest 4 - R to be mounted

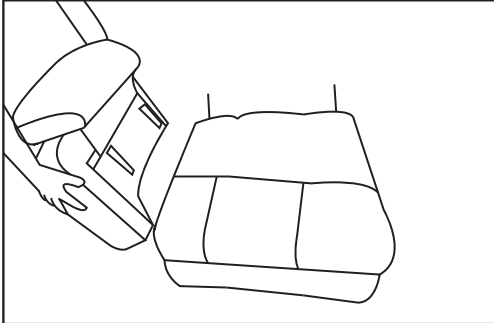


06

Place sponge bag 7 in sofa cushion soft pack 2 and sew the zipper together

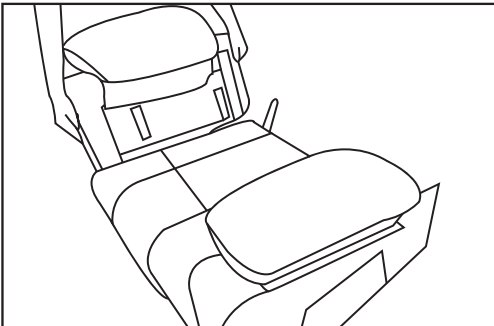
Seating Assembly

CAUTION: At least two adults are required to safely complete performing this task. Other lifting attempts may risk back injury due to large and heavy part(s).



01

Align the pins on the armrest with the pins on the seat, and push down to install the armrest on the seat;

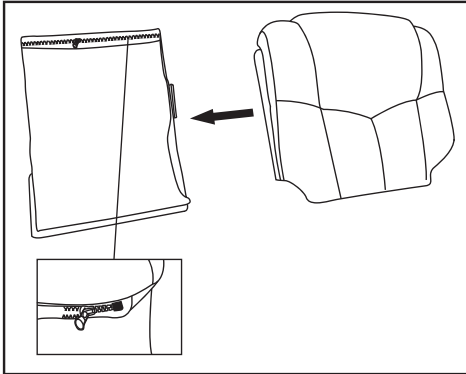


02

The installation is the same on the other side.

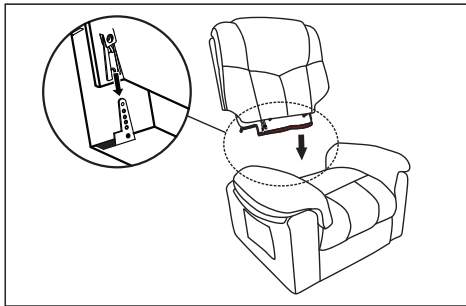
Sofa Assembly

CAUTION: At least two adults are required to safely complete performing this task.
Other lifting attempts may risk back injury due to large and heavy part(s).



01

Assemble Part 1 and Part 2 and zip them up;

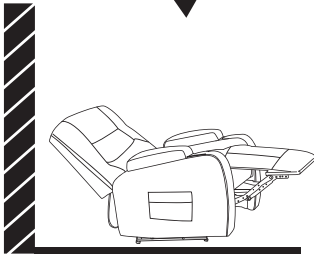
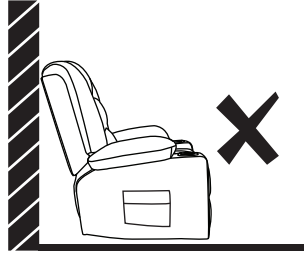
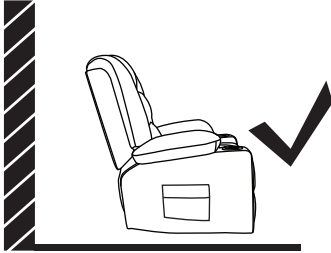


02

Align the pins of the backrest with the pins of the seat, and press downward to assemble the backrest and seat; Try shaking the backrest after installation, if one side wobbles up and down, it is not fully assembled. Please make sure to hear a 'click' sound.

USAGE

Leave
enough space
for reclining back



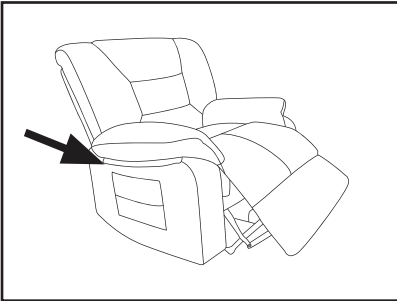
The recliner should be placed 45cm away from the wall, and the reclining function can be used normally.

PROPER USAGE



01 Steps to safely stand up from your Recliner Chair

1. Store the remote control safely in the side pocket of the seat
2. Place your feet firmly on the ground
3. Distribute the weight of the chair evenly between the arms
4. Stand up slowly from an upright position



02 *Remember to store remote control safely in the side pocket when it is not in use.

How do I use the manual recliner?

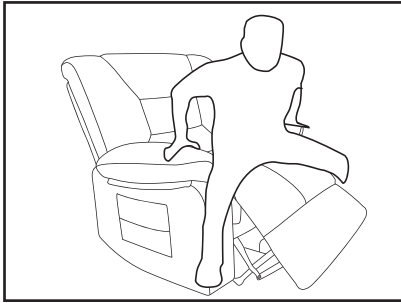
1. When you pull the pull ring at the corner of the cushion, the footrest will pop up automatically.
2. Place your elbows on the armrests and the chair will recline freely as you lean back.

How to retract the footrest correctly with little effort?

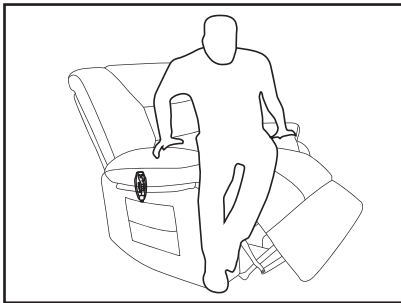
1. Sit forward with your body leaning forward and grasp the armrests with both hands.
2. Press the center of the footrest with your heel, i.e. the position of the white dot in the picture, and the footrest will retract easily. not suitable for the elderly/pregnant women/disabled/legged people

*Fabrics will fade or discolor in direct sunlight, please minimize direct sunlight to extend the life of the furniture.

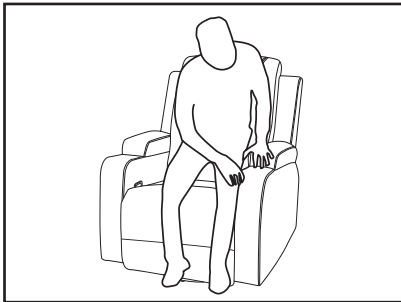
IMPROPER USAGE



01 DO NOT
stand up when the footrest
is in the upright position.

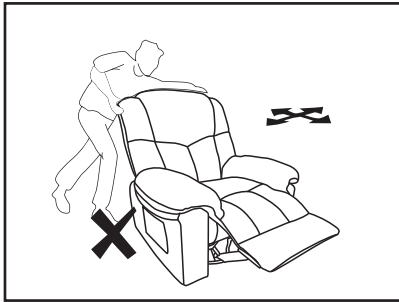


02 DO NOT
stand up from your recliner chair
with uneven weight.



03 DO NOT
stand up from your recliner chair
with only one arm.

IMPROPER USAGE



04 Please handle with care as the product contains moving parts.

* Only move the recliner when it is in the 'upright' or 'closed' position. Never attempt to move the recliner when it is in any of the reclining positions. Always use the arms to move the Recliner-DO NOT use the backrest or backrest ear parts.

Dear Customer,

Thank you for choosing us.

For safe use, please read this manual before installation, and keep it for after use. Please feel free to email us if you have any concerns about our products. We'll reply within 24 hours.

The following are the things you need to pay attention to so that we can provide you with services when you encounter problems during the installation and use of the product:

- When the product is damaged due to courier problems, please contact our customer service in time for verification.
- We will rectify the issue as soon as possible;
- We provide a 7-day no-reason return service (note that the returned product will not affect the secondary sales);

We offer product explanations, installation instructions, product maintenance and maintenance methods.

If you feel satisfied with our product and service,

- Please set our store as your favorites;
- Please recommend our products to your friends;
- Please and leave us your purchase experience in our store or product page.

Feedback or reviews from you will greatly help us offer better services to players around the world.

Best regards

Avoid using sharp objects such as a knife to cut open packing as you may accidentally damage the upholstery.