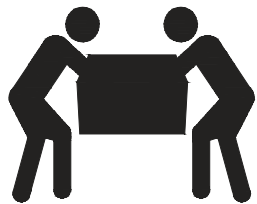


FSDL-V1

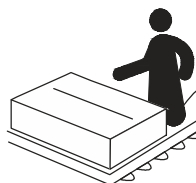
TS-3052

Notice:

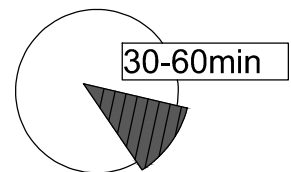
1. Follow the installation instructions. Please confirm all accessories are preset before installation.
2. Do not fully tighten the screws during initial assembly. Fully tighten screws only once all pieces which are correctly assembled.
3. If you encounter any problems during installation, please contact our customer service.
4. Please unbox the item from the side with an open-label and put a carpet on the floor to avoid scratching it.



Recommended installers:2

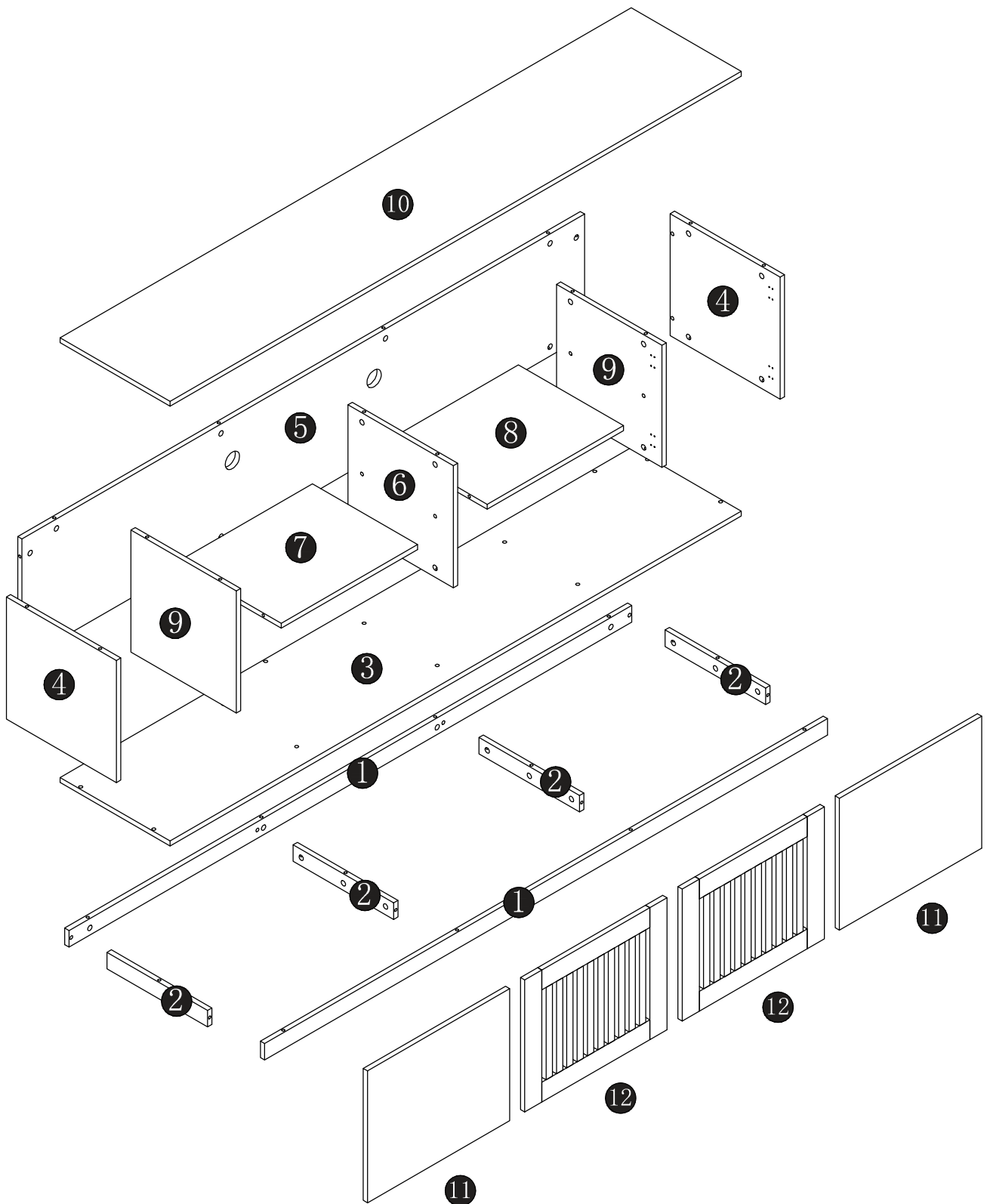


Put a carpet on the floor
before unpacking



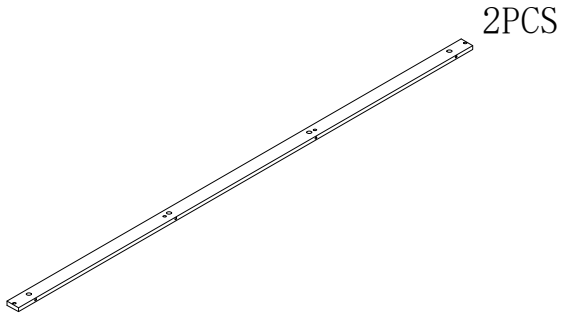
Estimate installation time:
60 minutes

ASSEMBLY INSTRUCTION

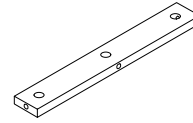


ASSEMBLY INSTRUCTION

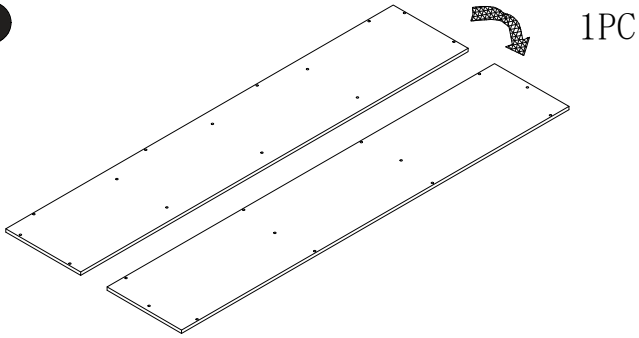
1



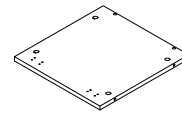
2



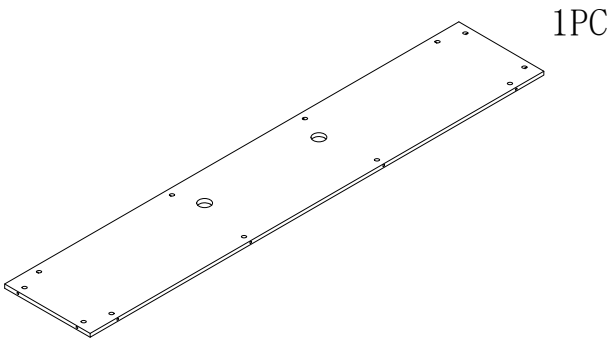
3



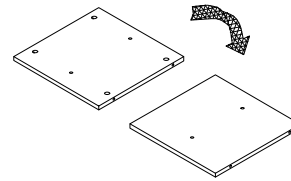
4



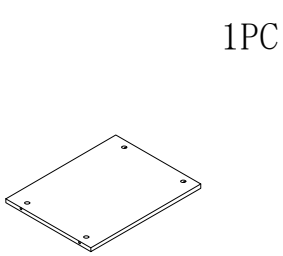
5



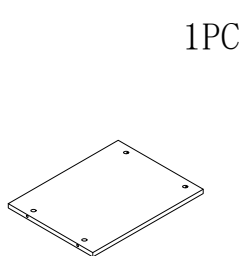
6



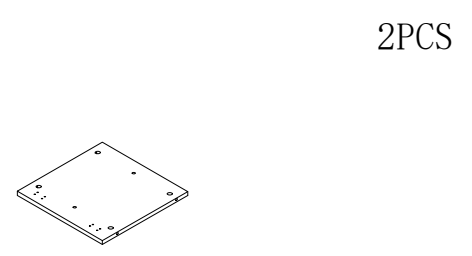
7



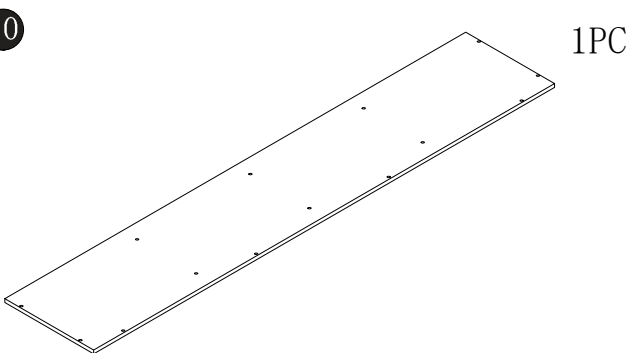
8



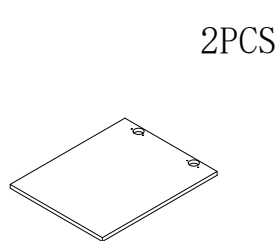
9



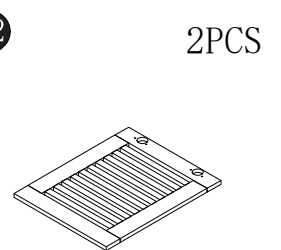
10





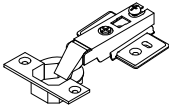
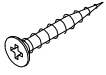
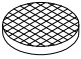


11



12

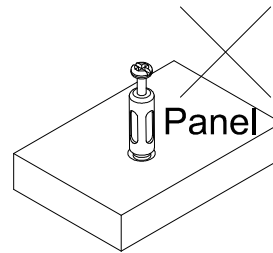
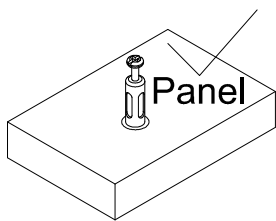


ASSEMBLY INSTRUCTION

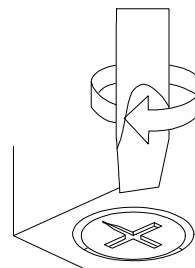
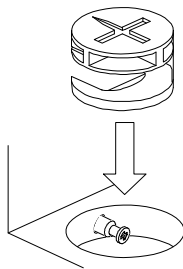
<p>A 60PCS</p>  <p>M6*40</p>	<p>B 60PCS</p>  <p>∅15*10</p>	<p>C 8PCS</p> 	<p>D 48PCS</p>  <p>∅3.5*14</p>
<p>E 10PCS</p> 	<p>F 60PCS</p> 	<p>G 1PC</p> 	

Use the Cam Lock and Eccentric Wheel ECCENTRIC WHEEL

Tighten the bolt until the shoulder is aligned with the panel.
Be suer not to tighten too much or too little.



The pre-inserted nut should align with the center of the cam lock when joining two panels. The cam lock should be inserted before the eccentric wheel.



Turn the cam lock clockwise to tighten

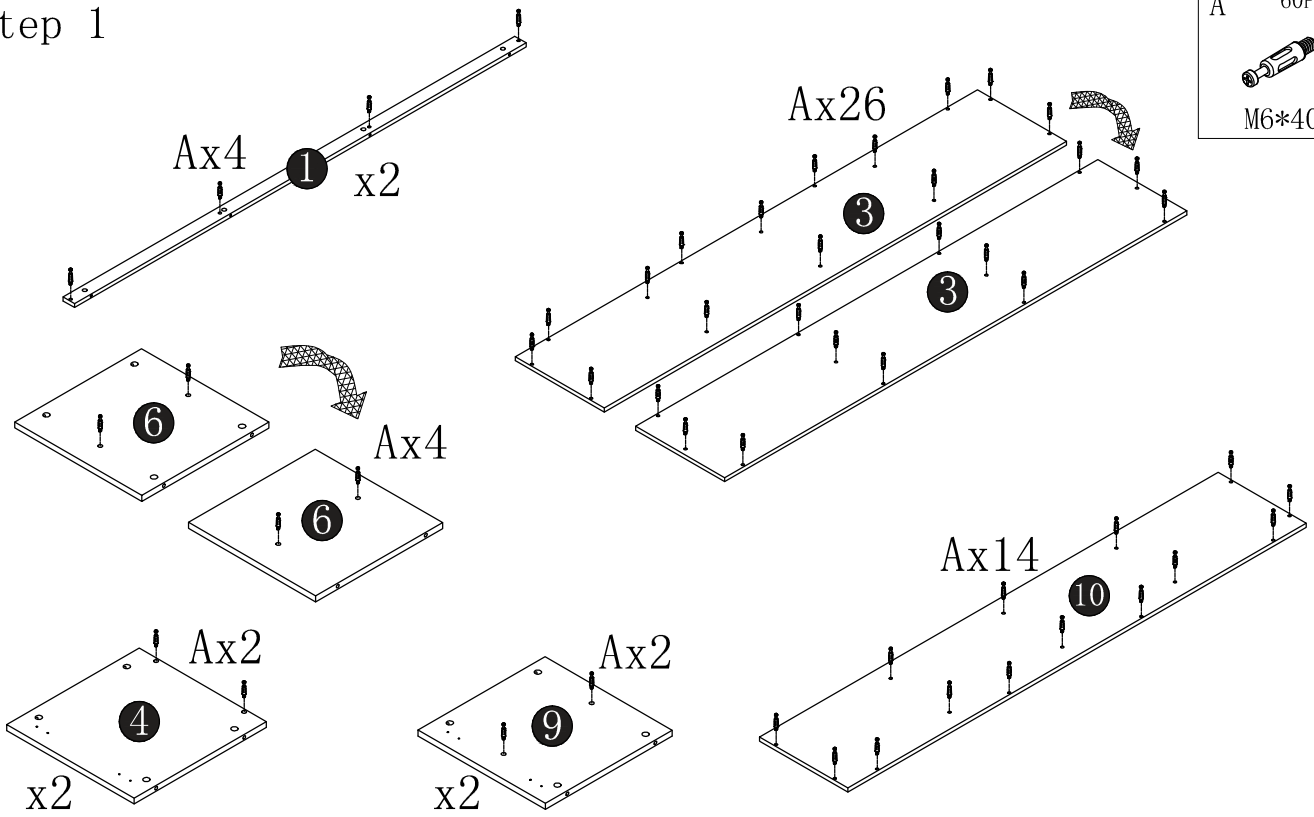
ASSEMBLY INSTRUCTION

Step 1

A 60PCS



M6*40



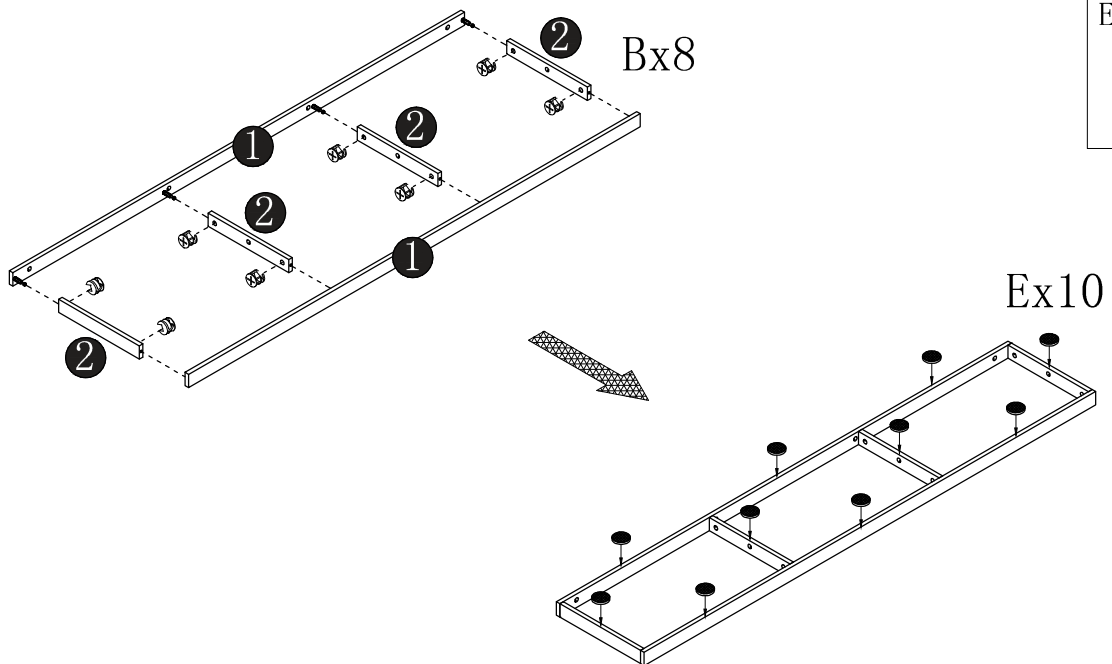
Step 2

B 8PCS



Ø15*10mm

E 10PCS



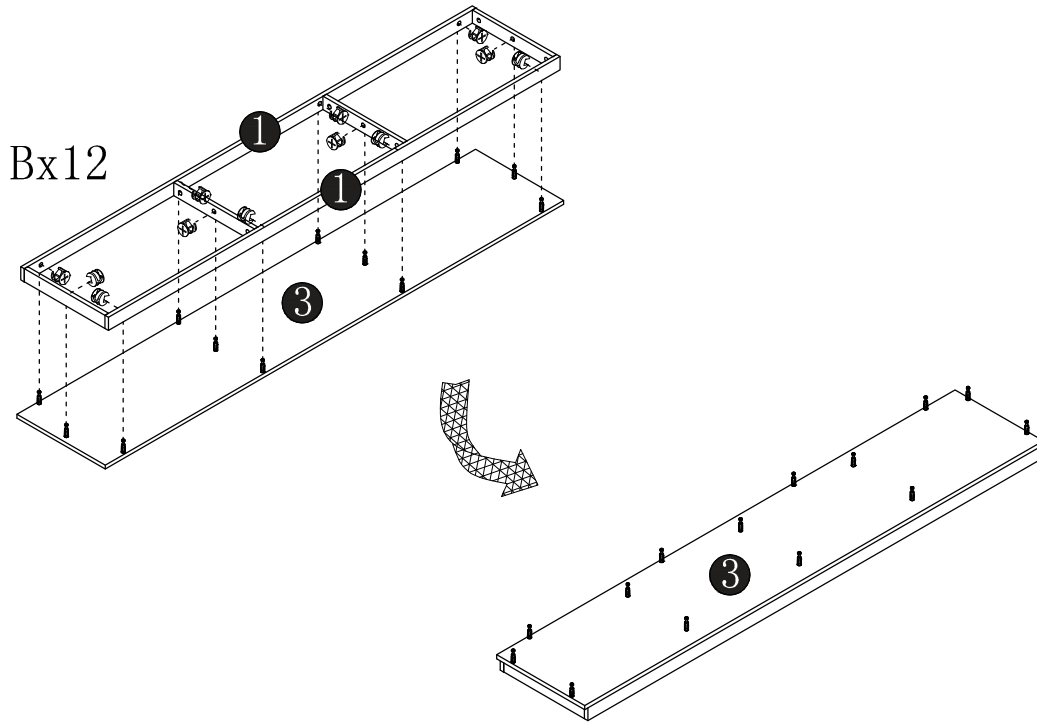
ASSEMBLY INSTRUCTION

Step 3

B 12PCS



Ø15*10mm

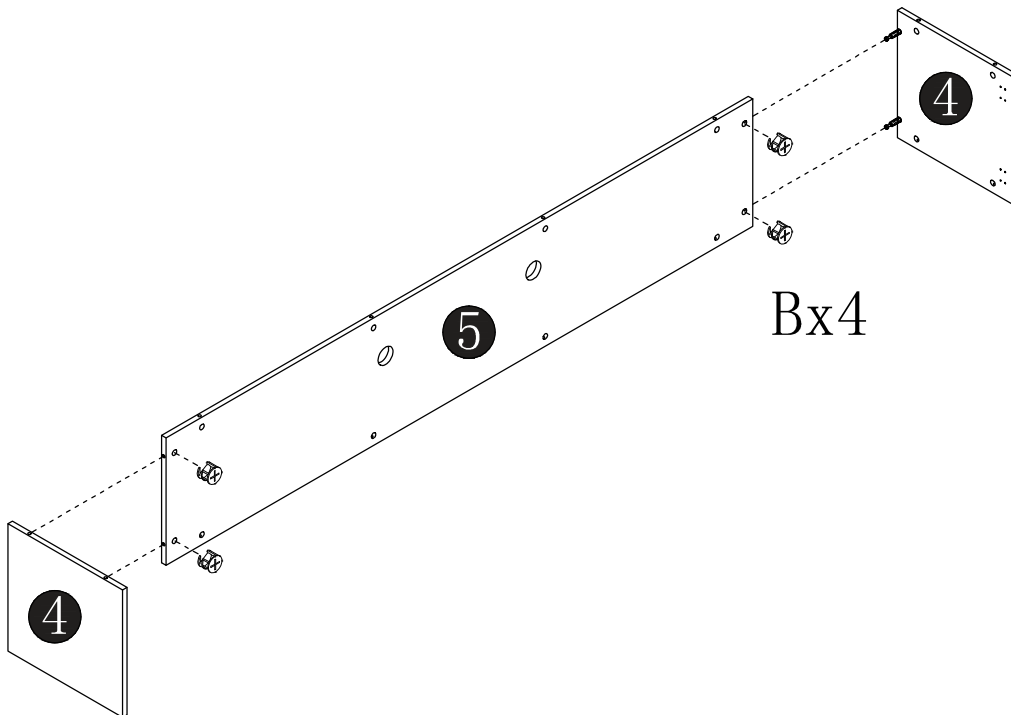


Step 4

B 4PCS



Ø15*10mm



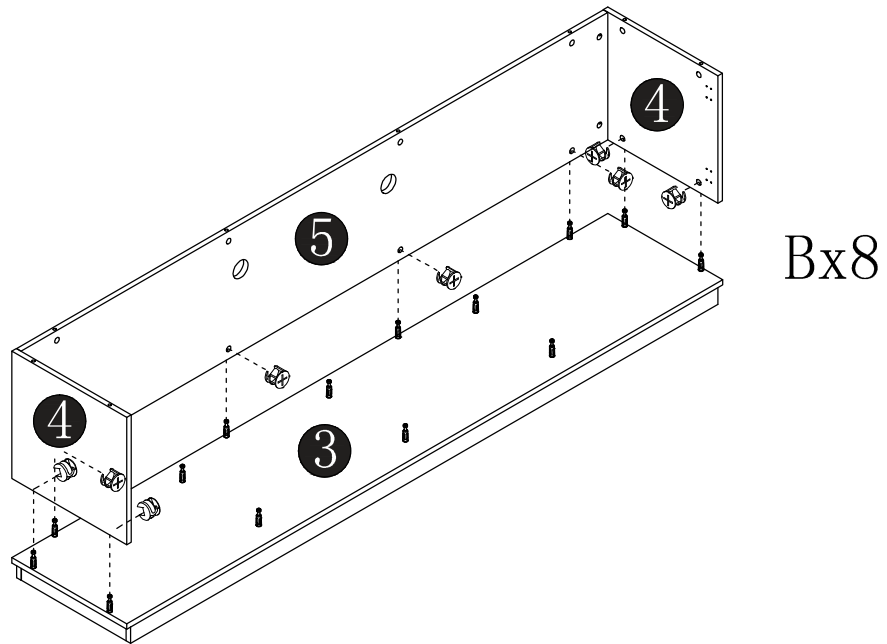
ASSEMBLY INSTRUCTION

Step 5

B 8PCS



Ø15*10mm

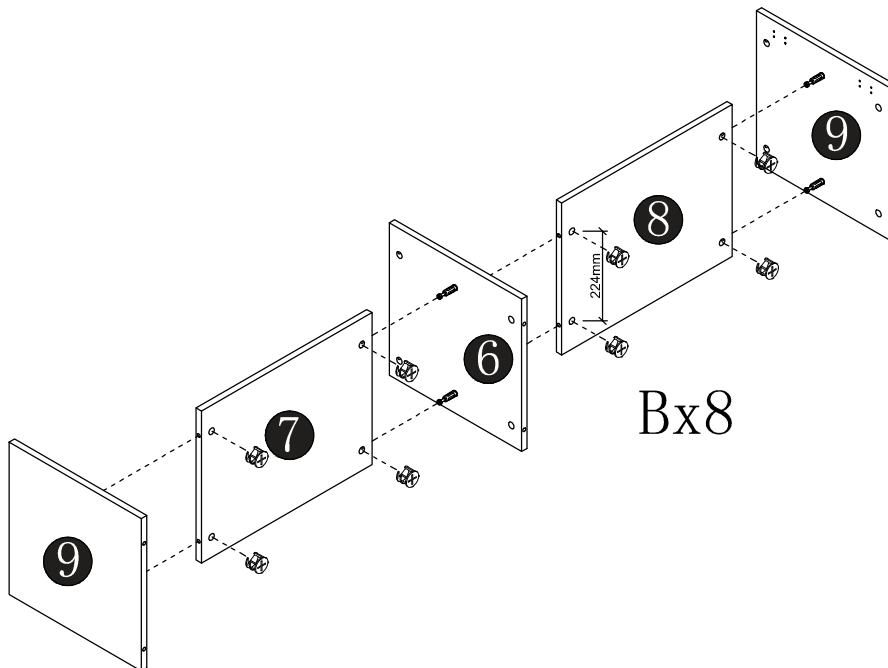


Step 6

B 8PCS




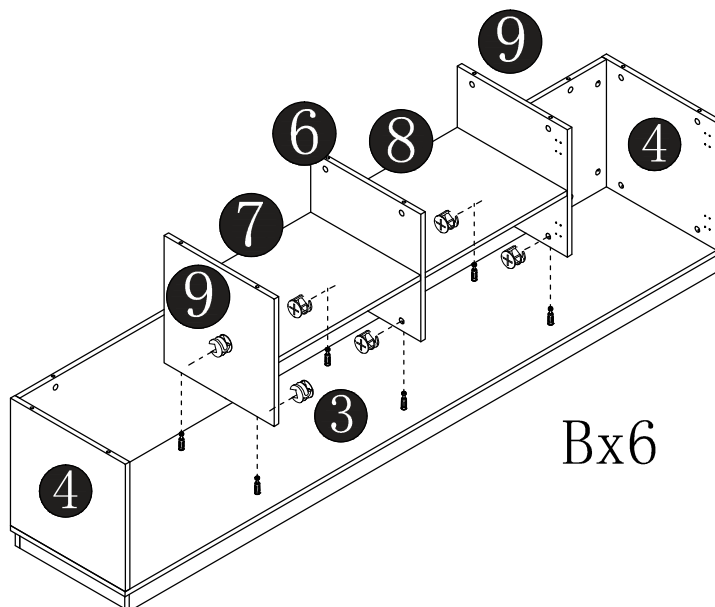
Ø15*10mm




ASSEMBLY INSTRUCTION

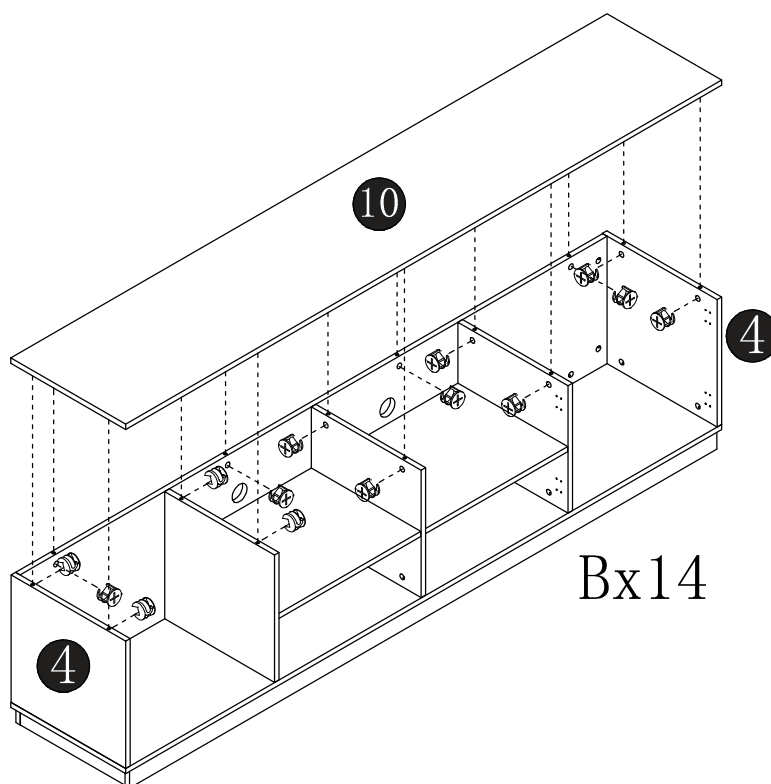
Step 7

B 6PCS

Ø15*10mm



Step 8

B 14PCS

Ø15*10mm



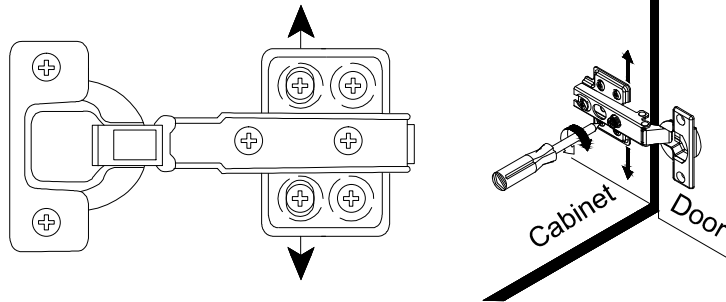
ASSEMBLY INSTRUCTION

Step 9

Cabinet Door Adjustment Instructions

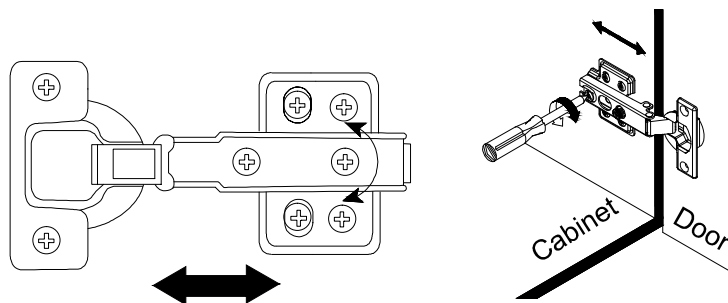
Height adjustment:

- Locate the height adjustment screws on the hinge.
- Use the Phillips screwdriver to either tighten or loosen the screws to raise or lower the cabinet door as desired.



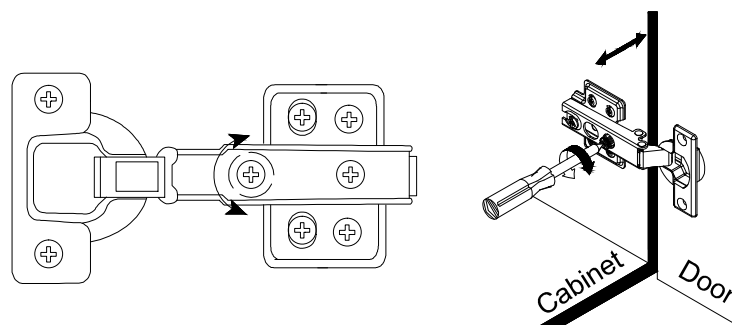
Side-to-side adjustment:

- If the cabinet door needs to be moved closer to or away from the cabinet frame, locate the side-to-side adjustment screws on the hinge.
- Use the Phillips screwdriver to adjust these screws and gradually move the door in the desired direction.



Depth adjustment (if applicable):

- Check if the cabinet door needs to be brought closer to or further away from the cabinet frame.
- For depth adjustment, locate the depth adjustment screws on the hinge.
- Use the Phillips screwdriver to turn these screws clockwise or counterclockwise accordingly.



ASSEMBLY INSTRUCTION

Step 10

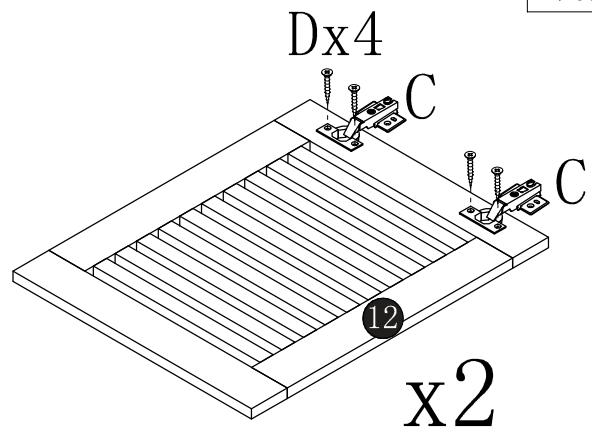
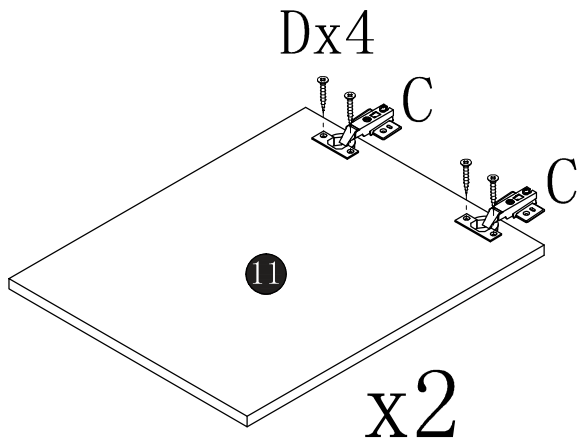
C 8PCS



D 16PCS

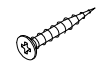


Ø3.5*14

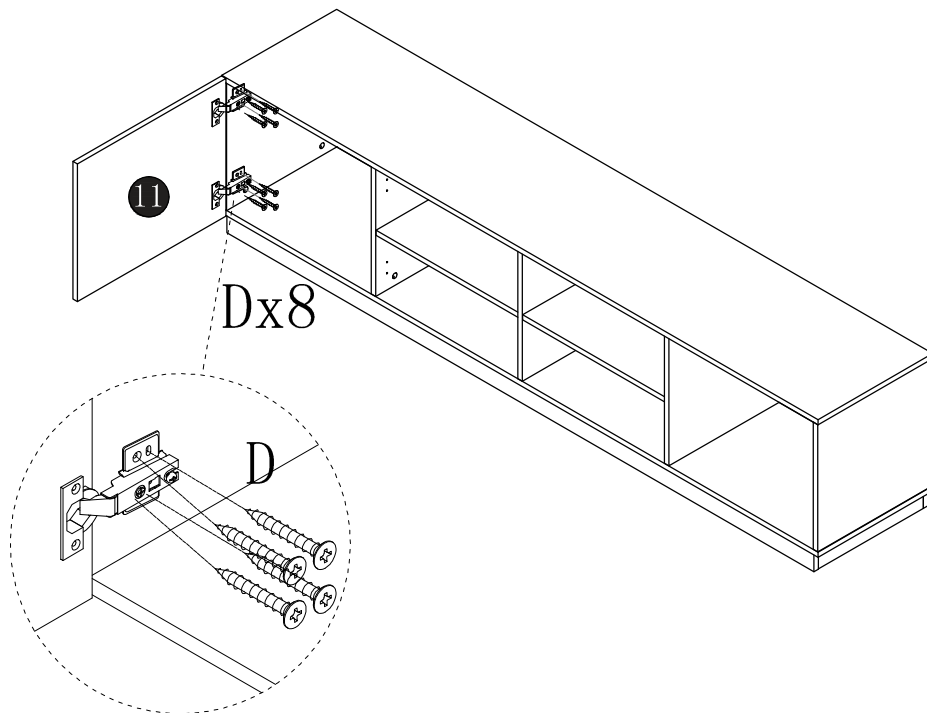


Step 11

D 8PCS



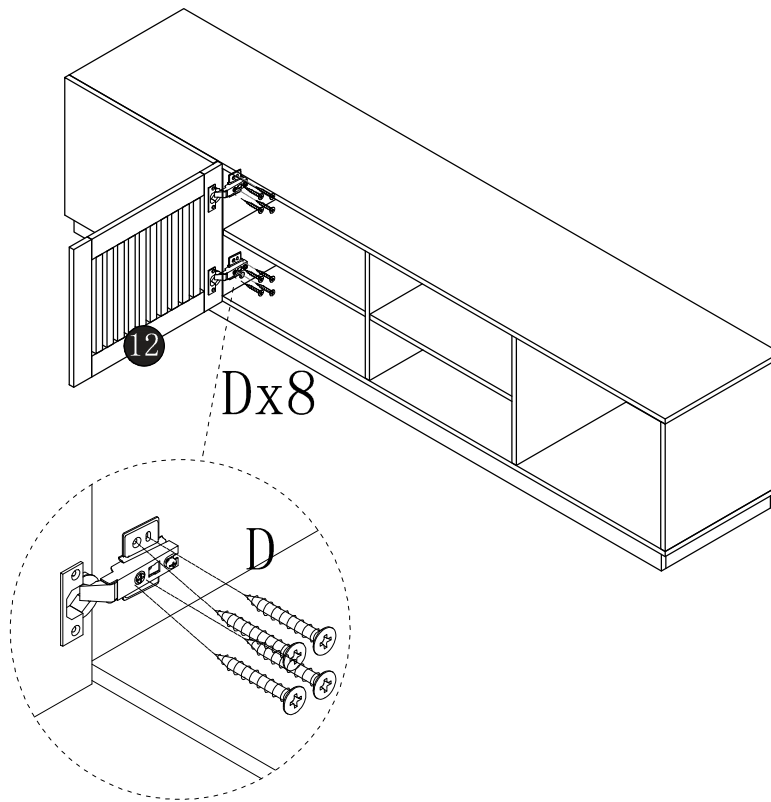
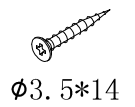
Ø3.5*14



ASSEMBLY INSTRUCTION

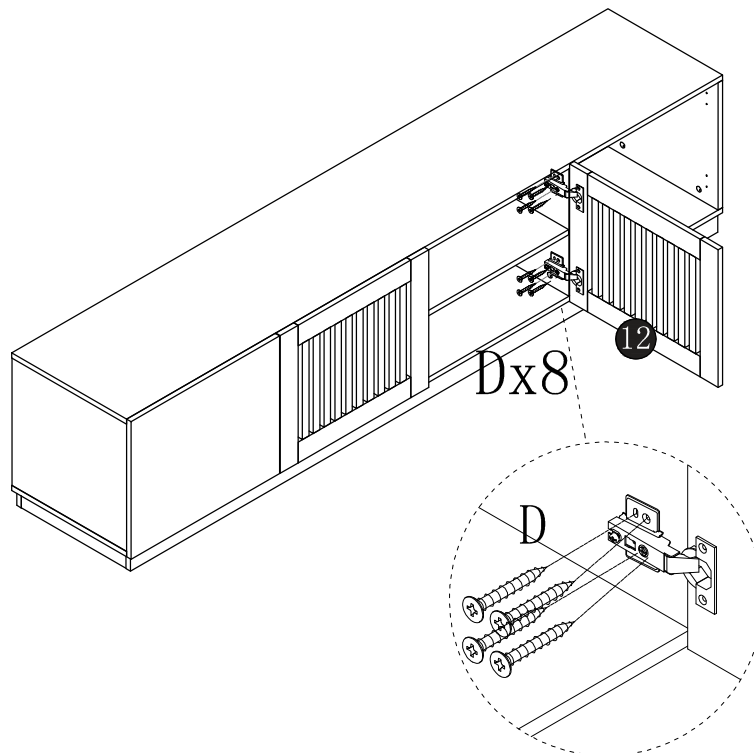
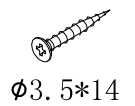
Step 12

D 8PCS



Step 13

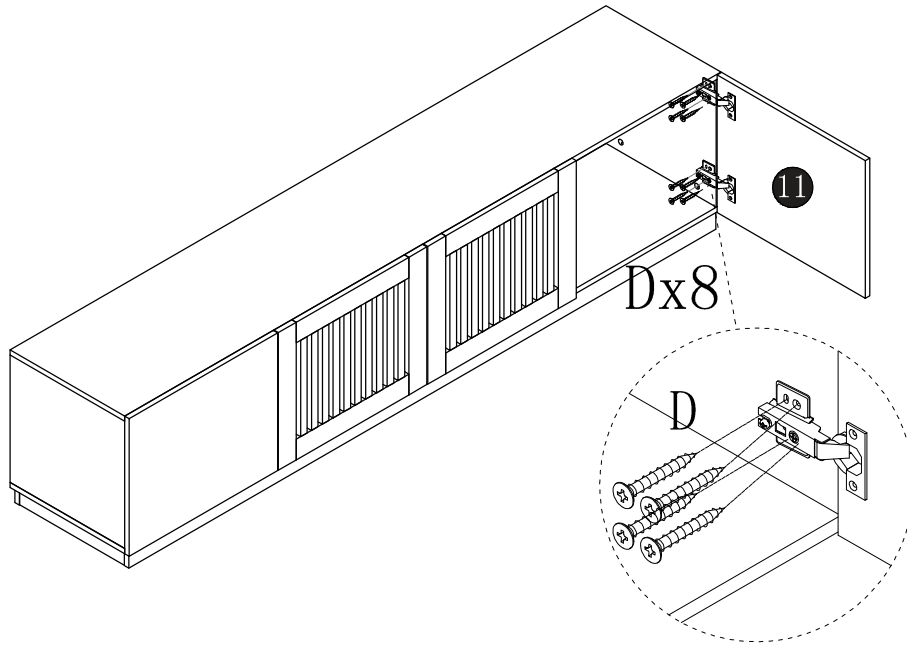
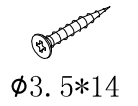
D 8PCS



ASSEMBLY INSTRUCTION

Step 14

D 8PCS



Step 15

