


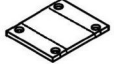
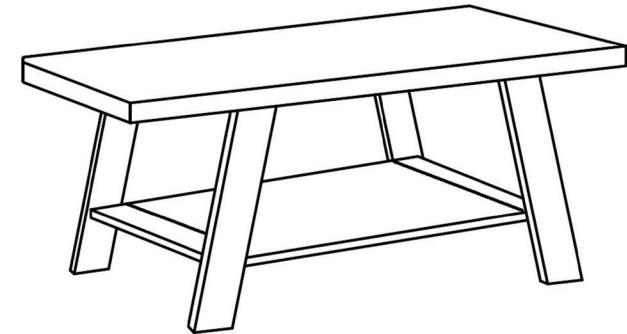


ASSEMBLY INSTRUCTION

- Important note : - Place all wooden part on a clean and smooth surface such as rug or carpet to avoid the part from being scratch
 :- Please follow the assembly instruction step by step
 :- Do not tighten all screw until the table fully set-up

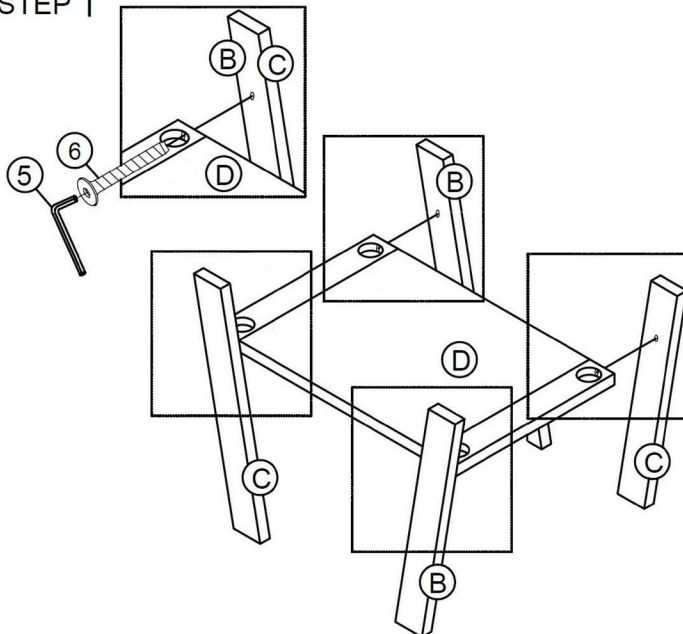
| PARTS LIST | | |
|------------|---|-----|
| NO | DESCRIPTION | QTY |
| A | TOP PANEL  | 1 |
| B | LEFT LEG PANEL  | 2 |
| C | RIGHT LEG PANEL  | 2 |
| D | SECOND LAYER  | 1 |

| HARDWARE LIST | | |
|---------------|--|-------|
| NO | DESCRIPTION | QTY |
| 1 | JCBC SCREW M6 X 35MM  | 8 PCS |
| 2 | FLAT WASHER  | 8 PCS |
| 3 | SPRING WASHER  | 8 PCS |
| 4 | NAIL LEG 5/8"  | 4 PCS |
| 5 | ALLEN KEY  | 1 PC |
| 6 | JCBC SCREW M6 X 40MM  | 4 PCS |

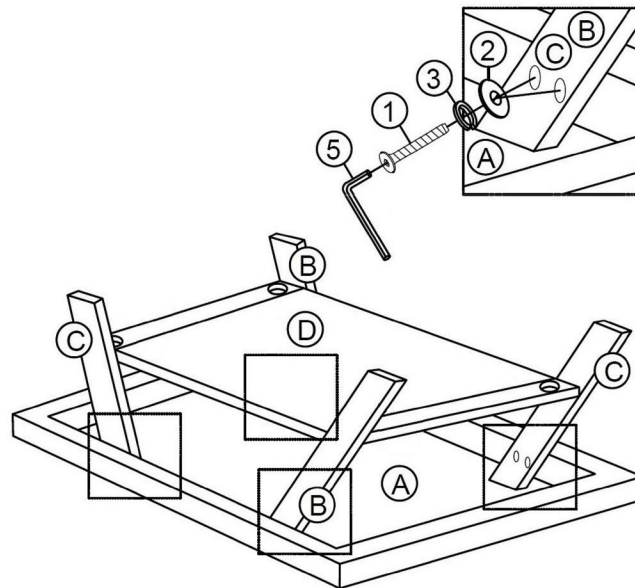


COMPLETED ASSEMBLE

STEP 1



STEP 2



STEP 3

