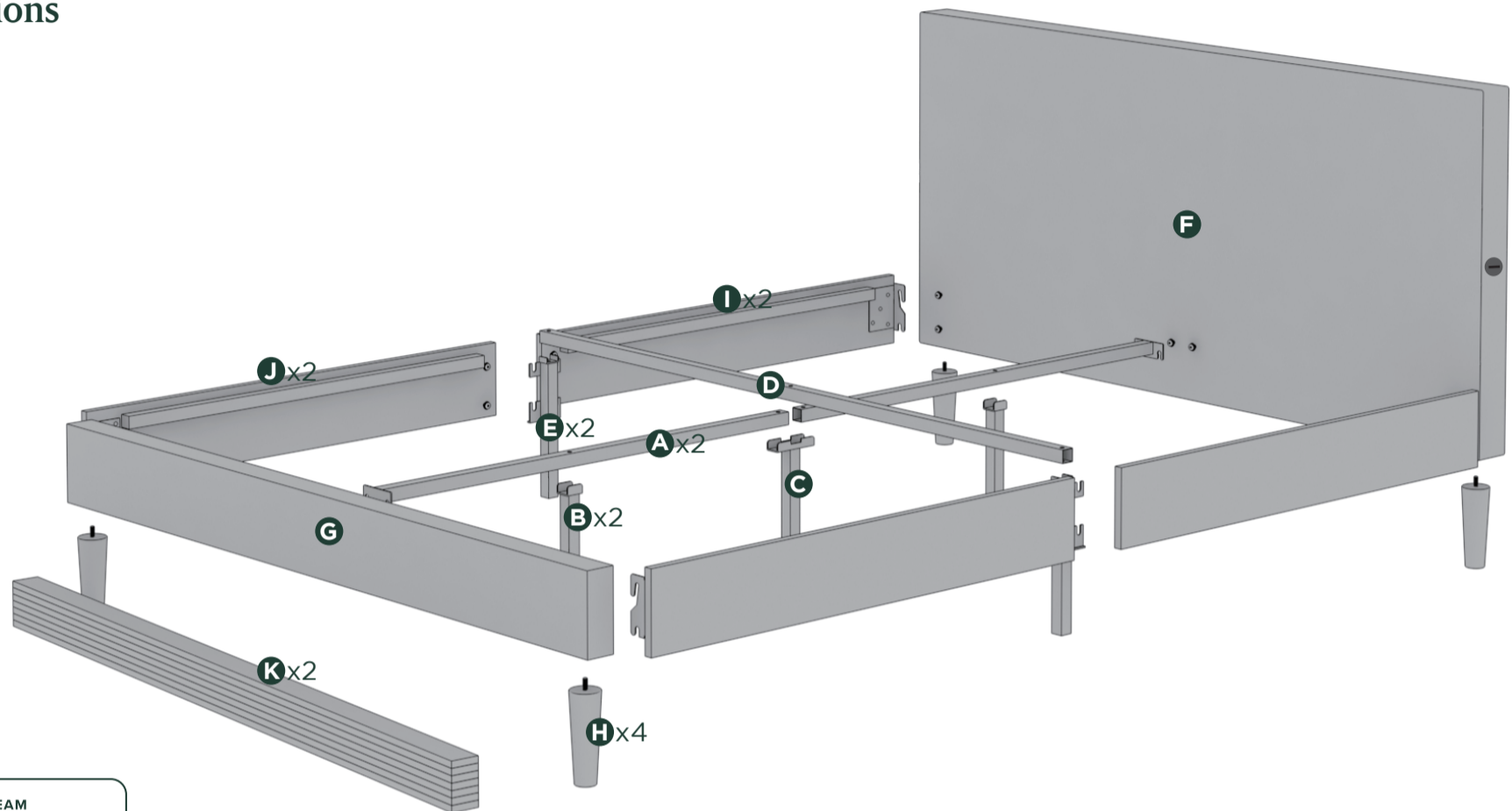
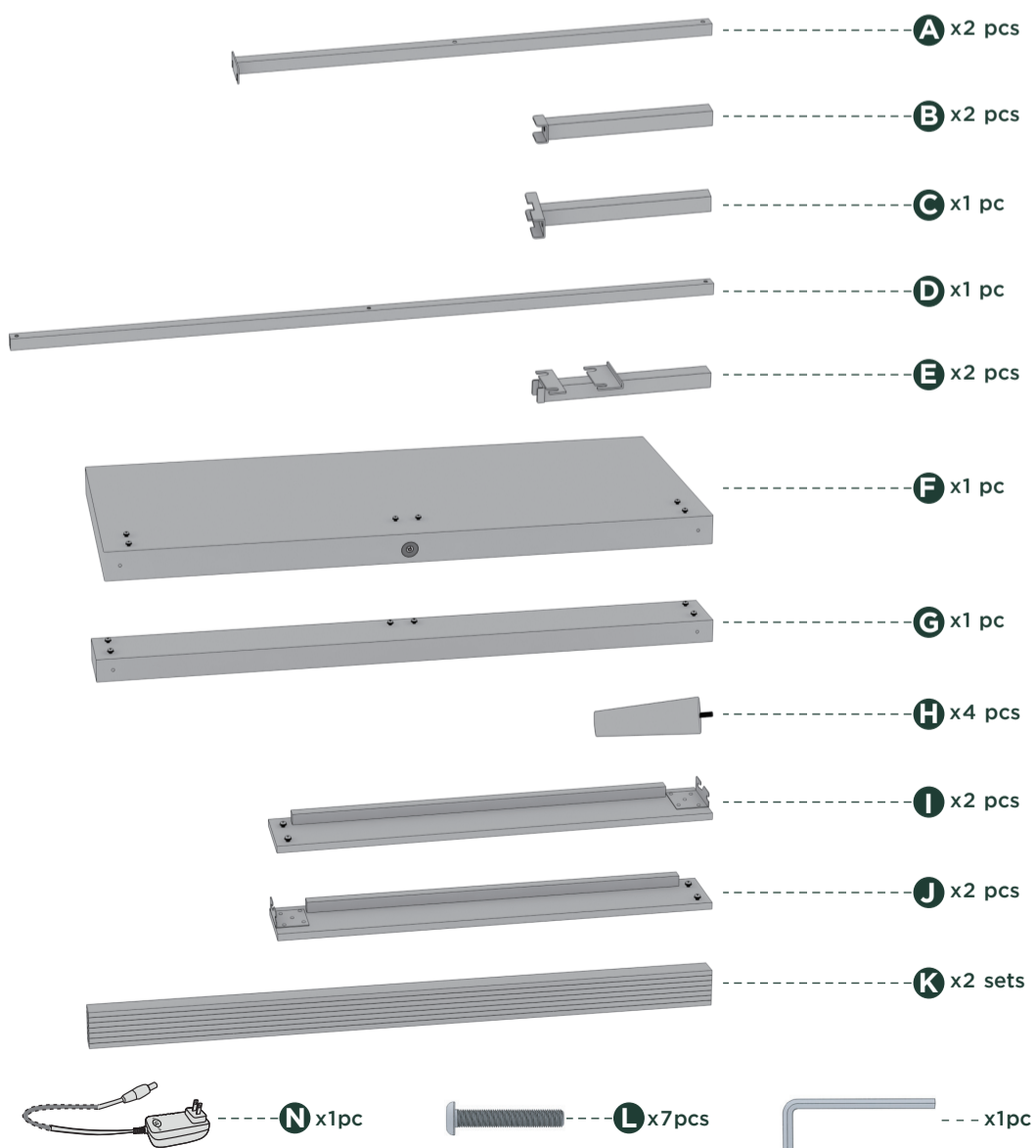


Platform Bed Frame

Instructions



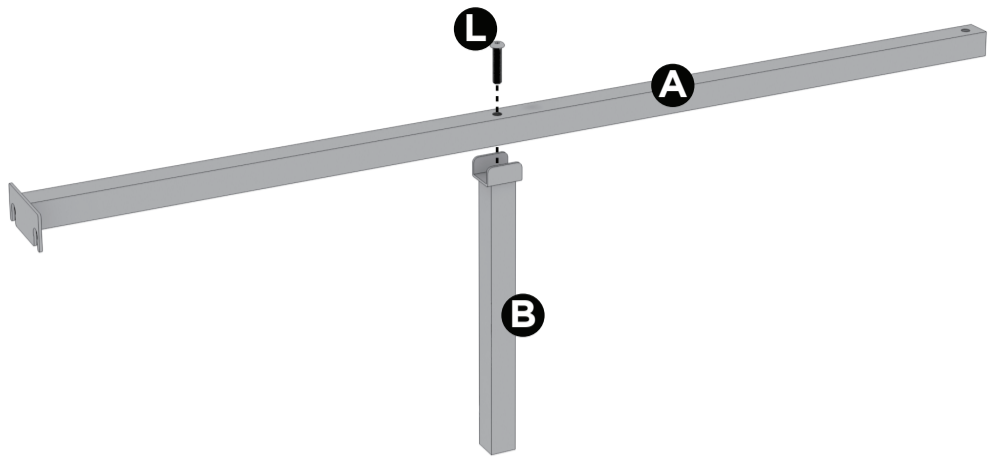
Components



Return Policy

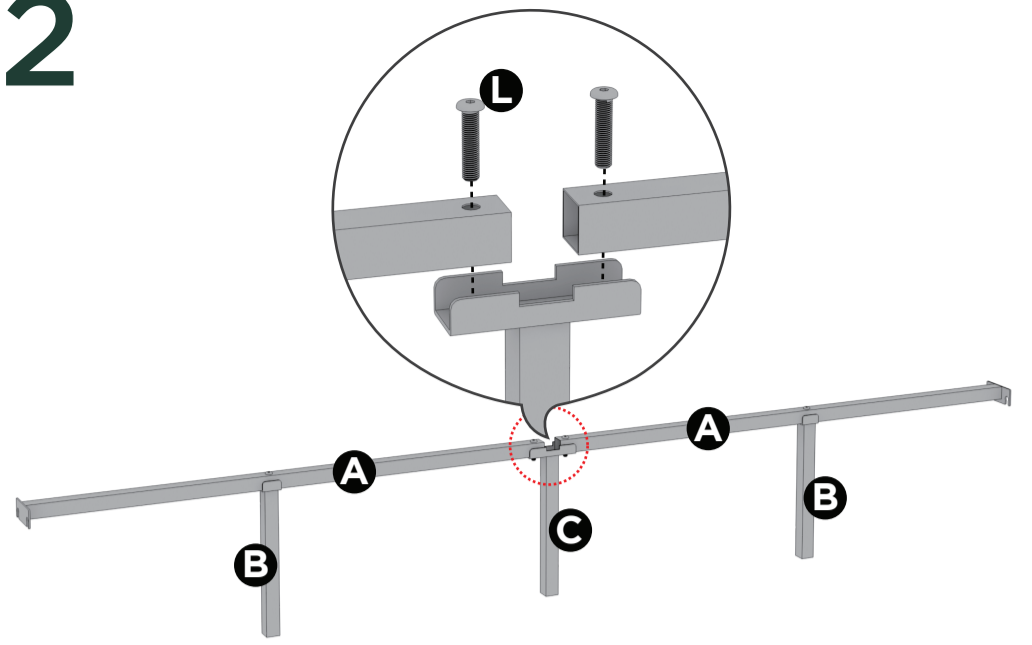
The item must be returned in good condition, in original box, with all original proof of purchase, parts and accessories, within the time frame specified by the retailer it was purchased from.

1

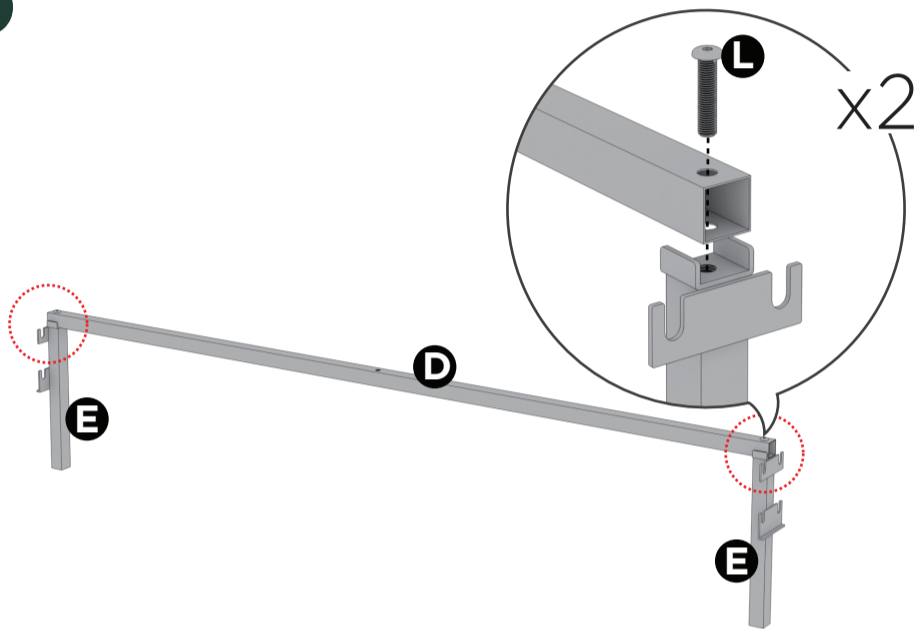


x2

2

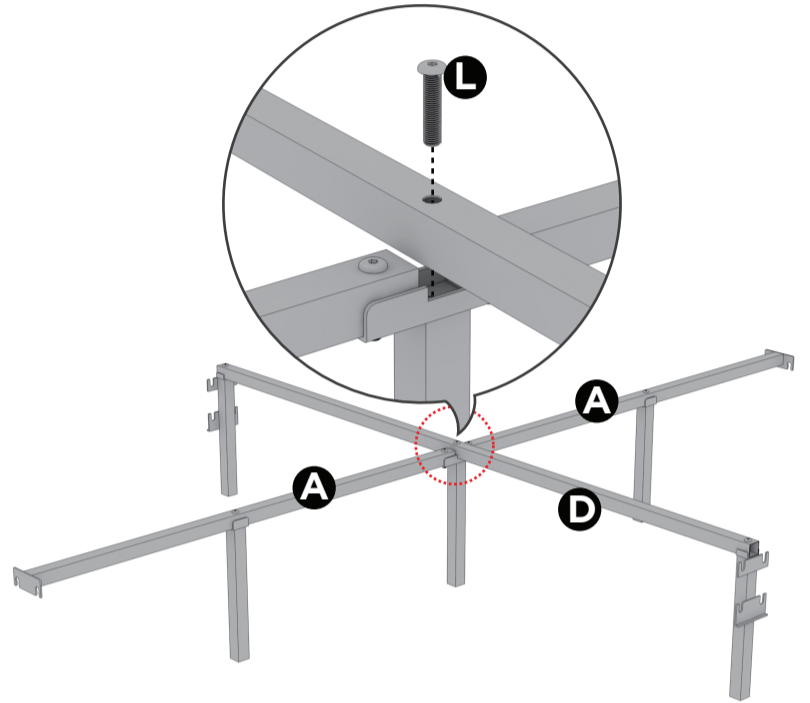


3

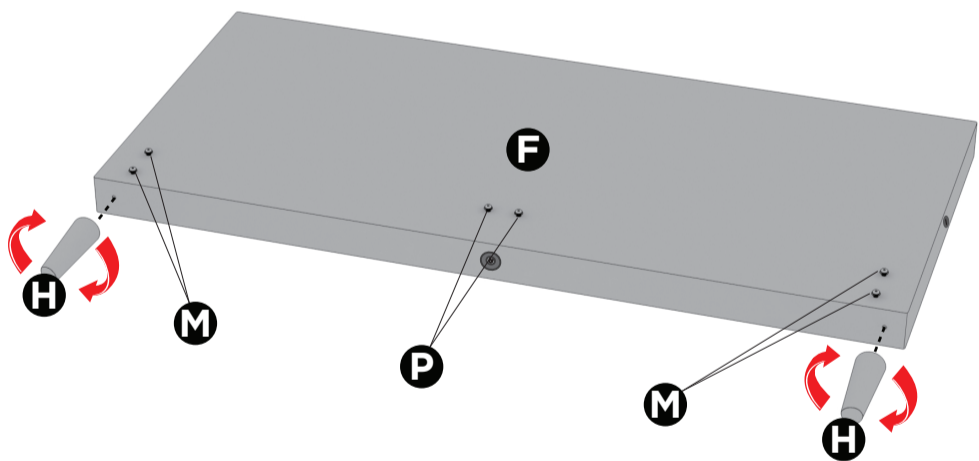


x2

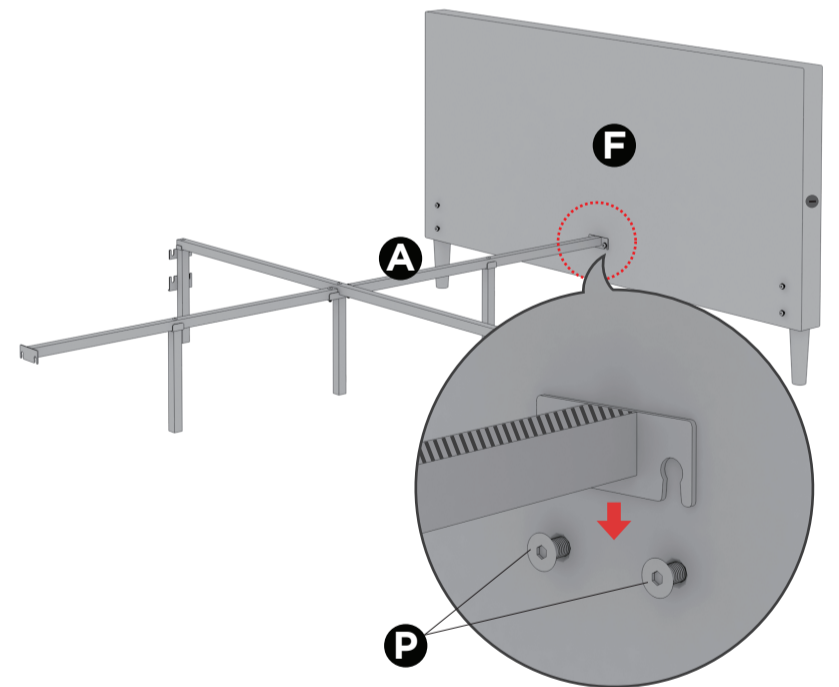
4



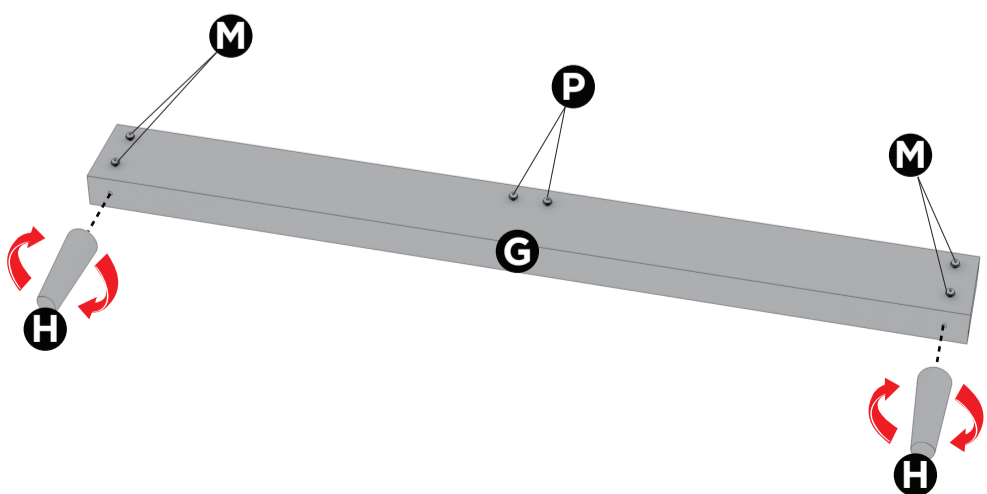
5



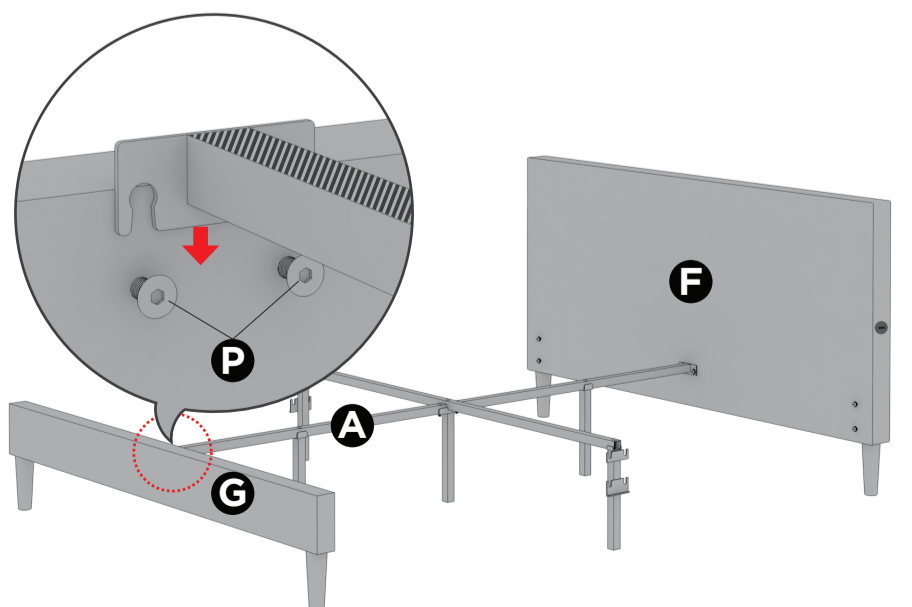
6



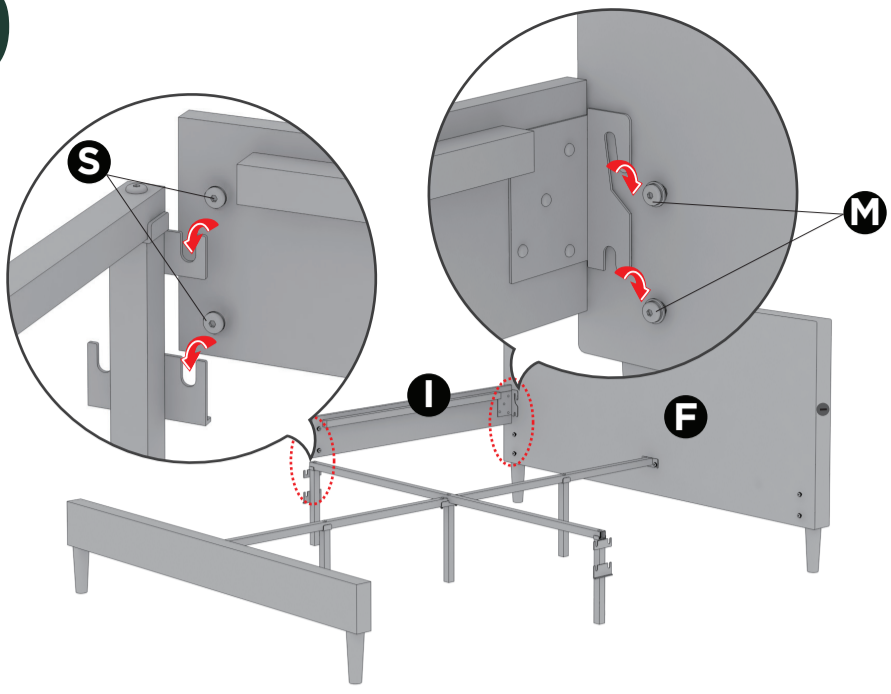
7



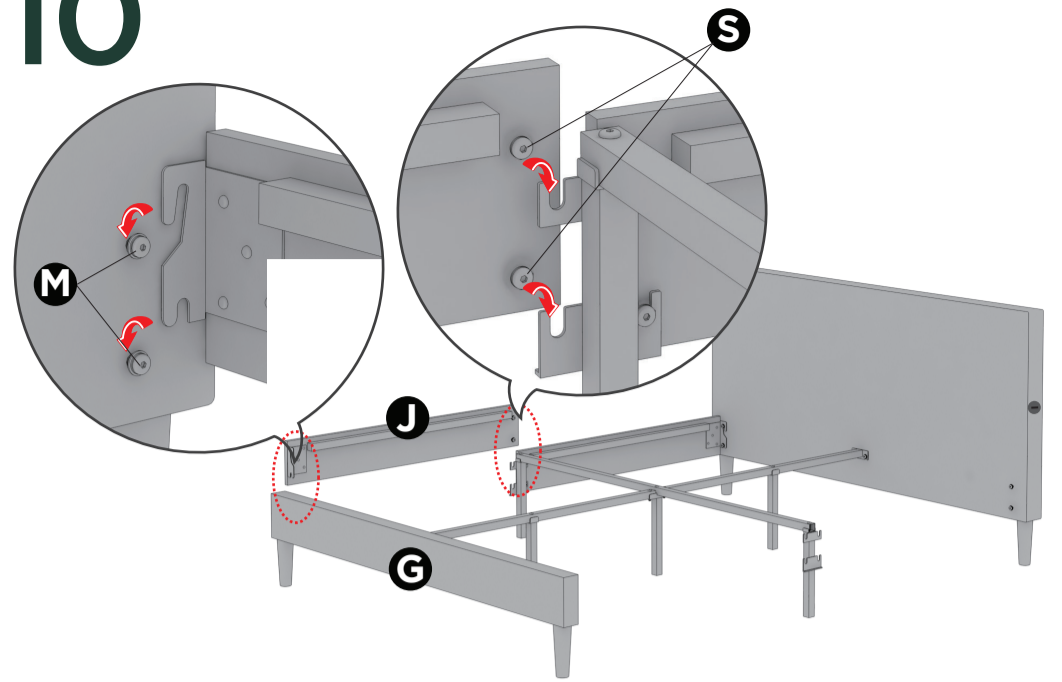
8



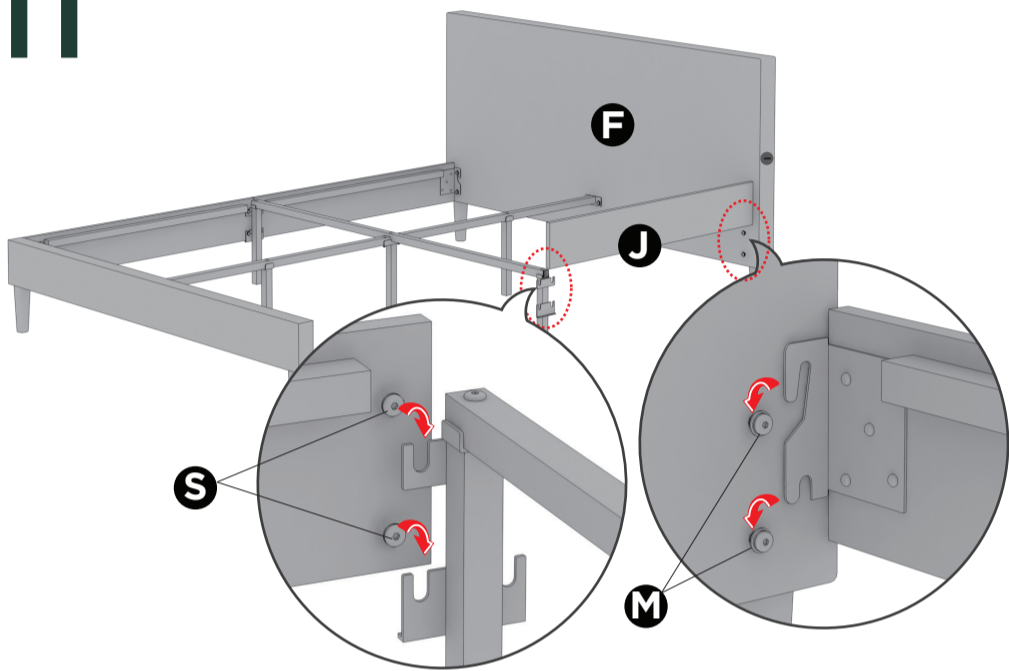
9



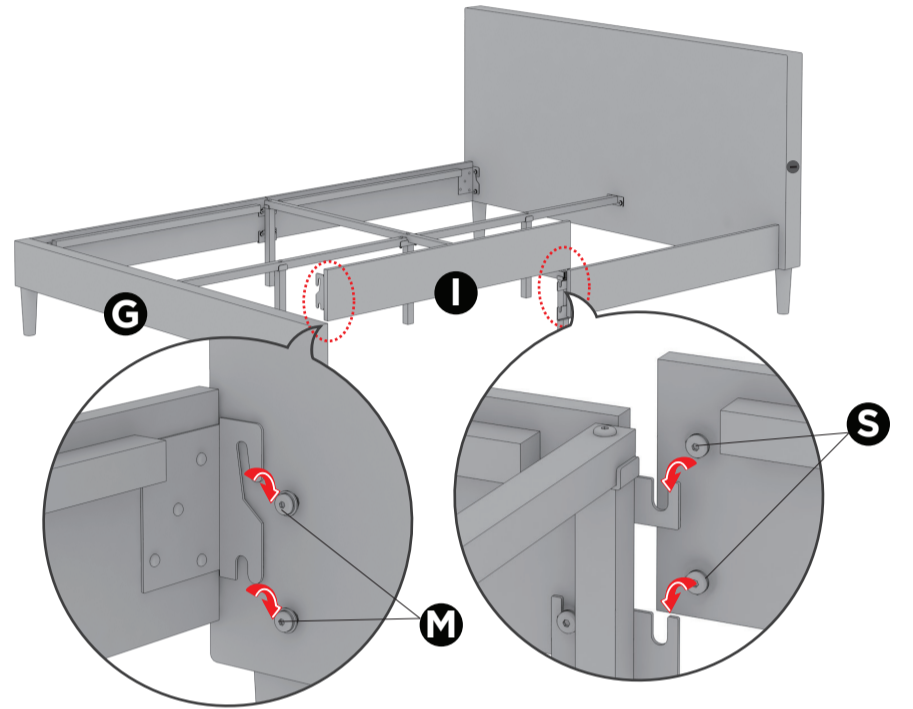
10



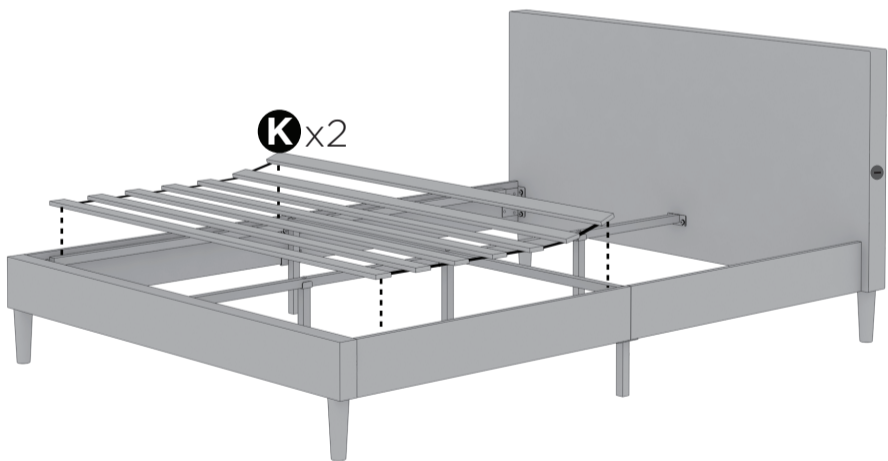
11



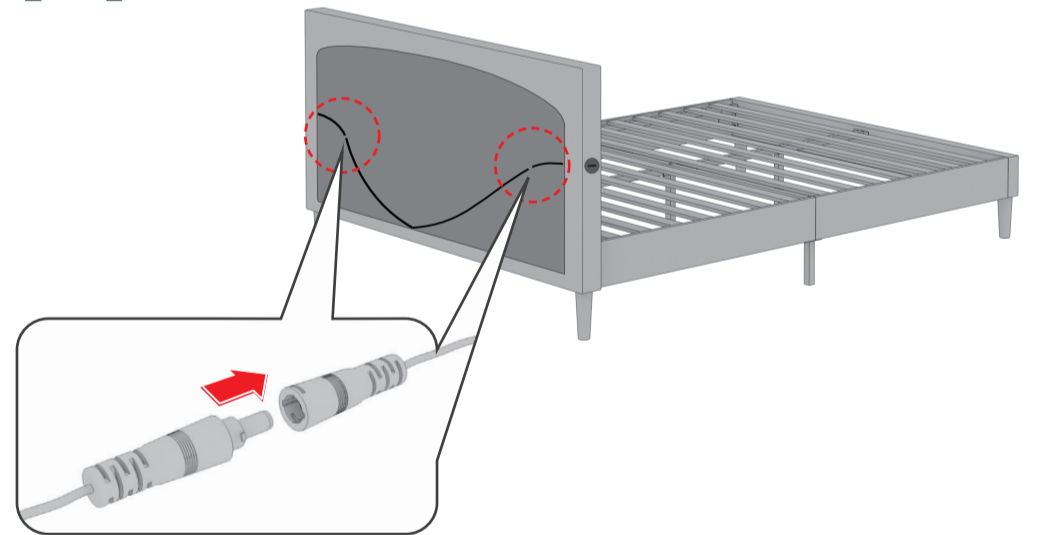
12



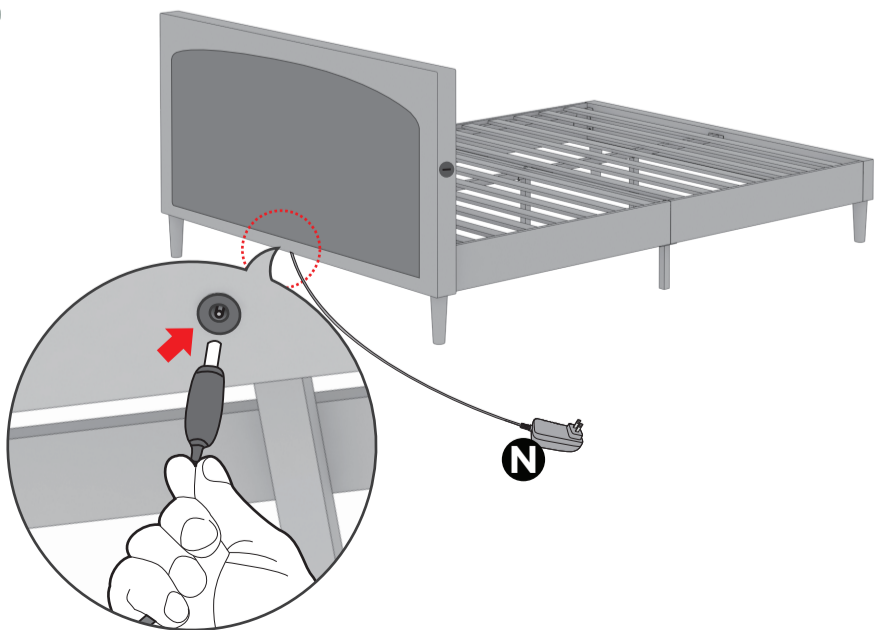
13



14



15



16

