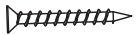
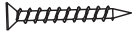
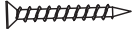

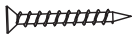

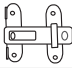
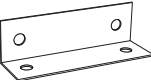
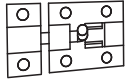
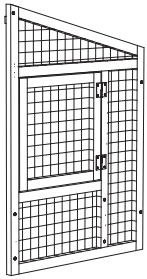
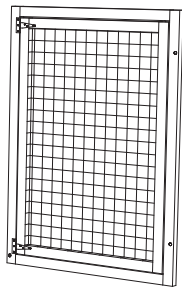


ASSEMBLY INSTRUCTIONS

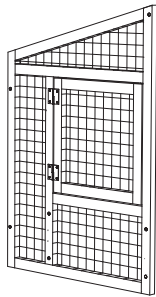
 A M3.5*50 38PCS	 B M3.5*35 16PCS	 C M3.0*35 24PCS
 D M3.0*20 34PCS	 E M3.0*16 40PCS	 F M6.0*50 16PCS
M3.5*16 4PCS  1PCS	 2PCS	 2PCS



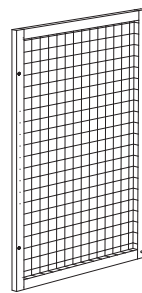
①



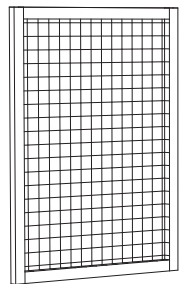
②



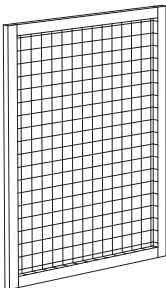
③



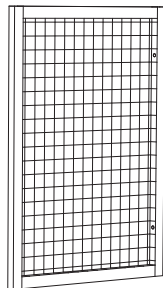
④



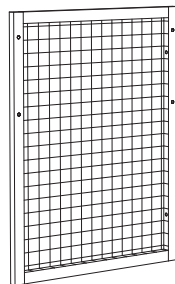
⑤ x2



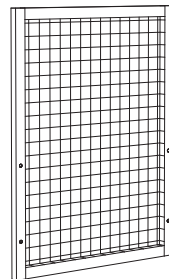
⑥



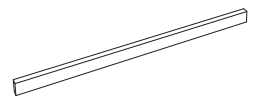
⑦



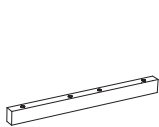
⑧



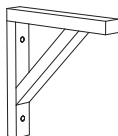
⑨



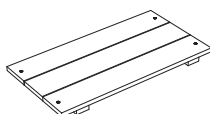
⑩ x4



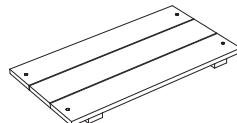
⑪ x2



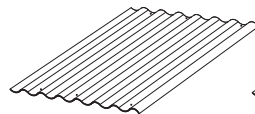
⑫ x4



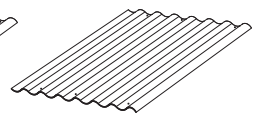
⑬ x2



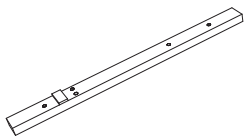
⑭ x2



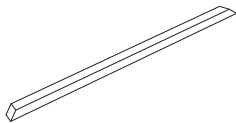
⑮ x3



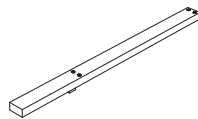
⑯



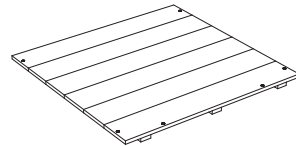
⑰ x4



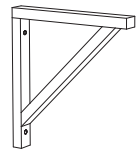
⑱ x4



⑲ x4



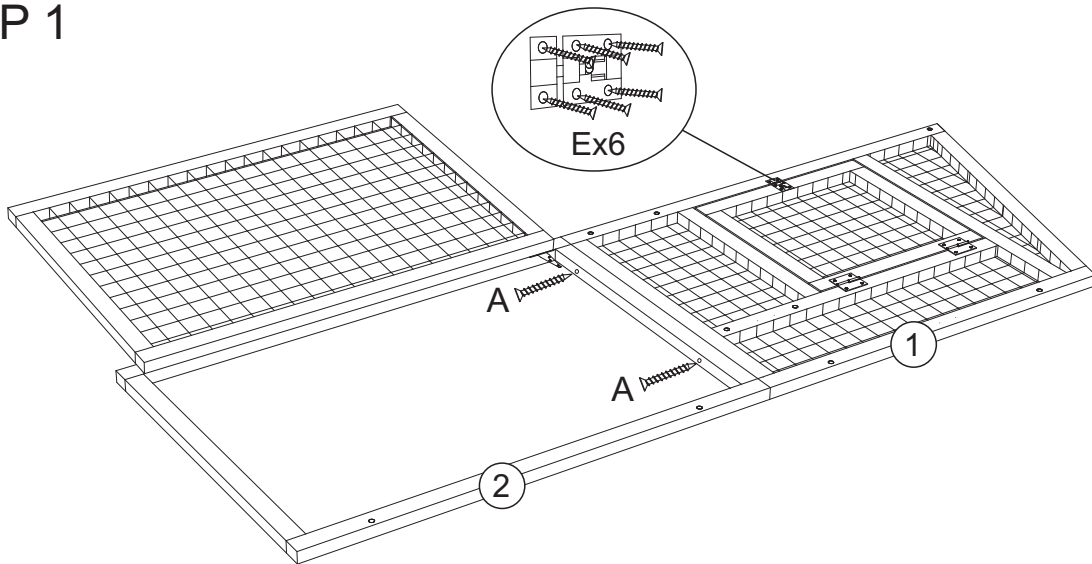
⑳ x3



㉑ x4

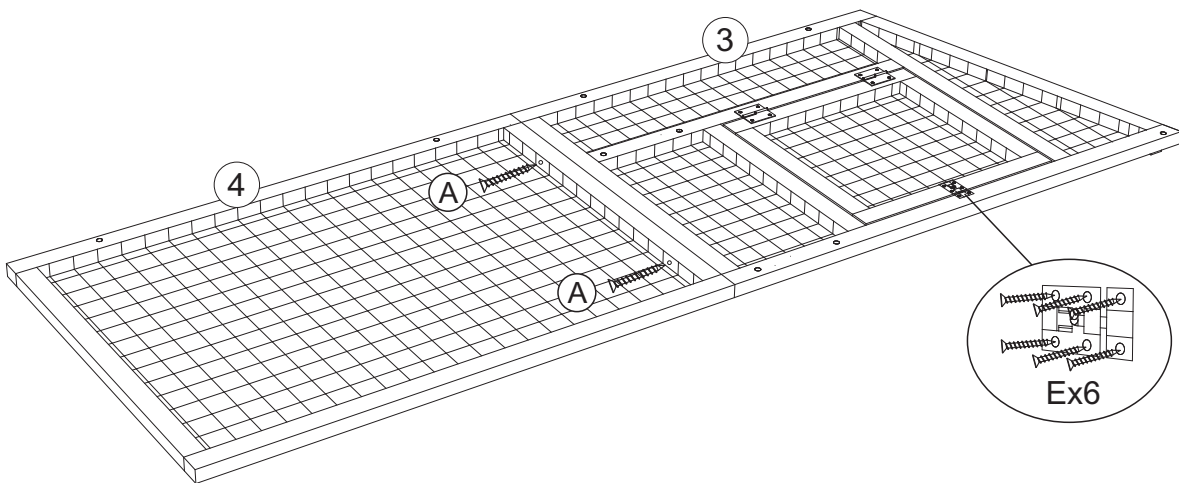
STEP 1

A x2
E x6



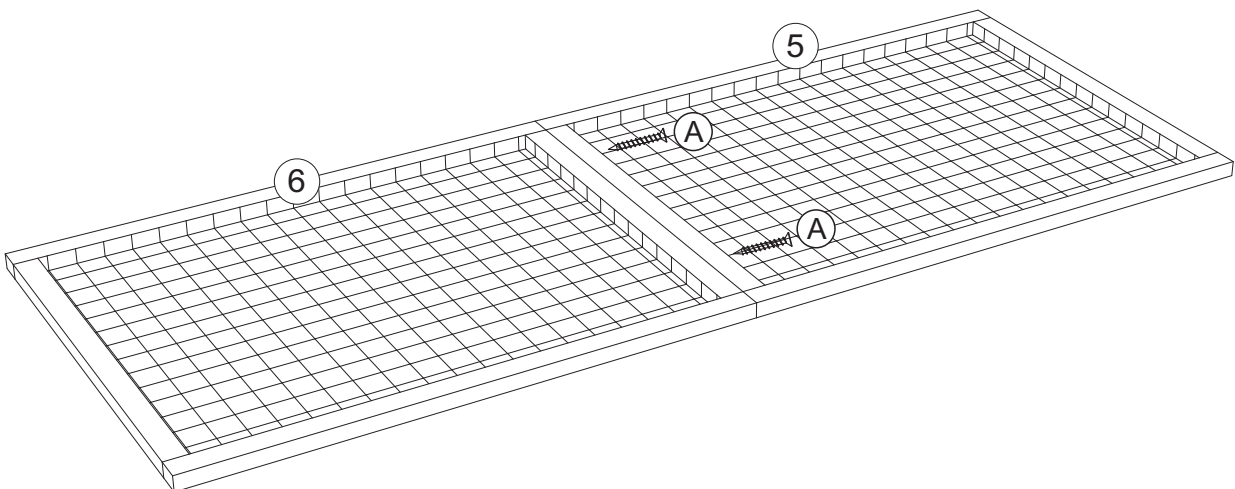
STEP 2

A x2
E x6



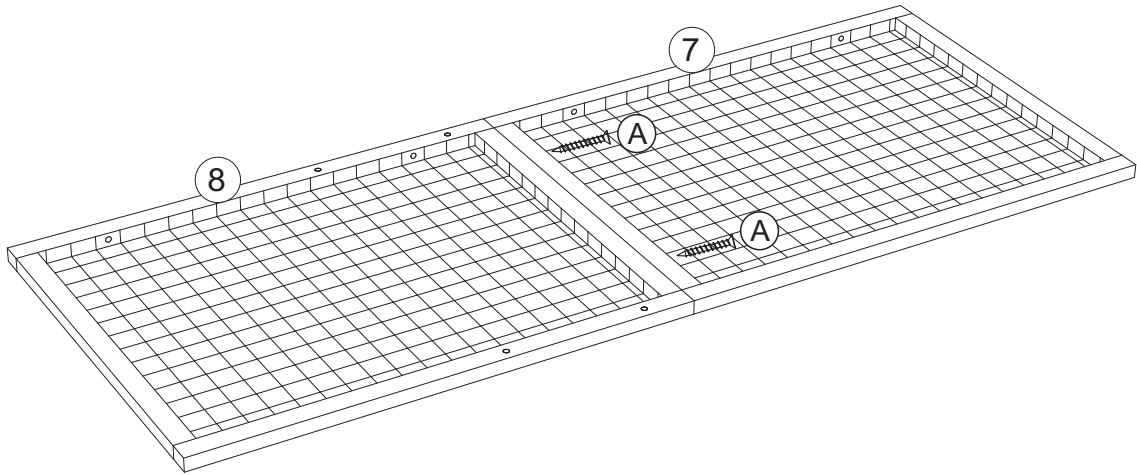
STEP 3

A x2



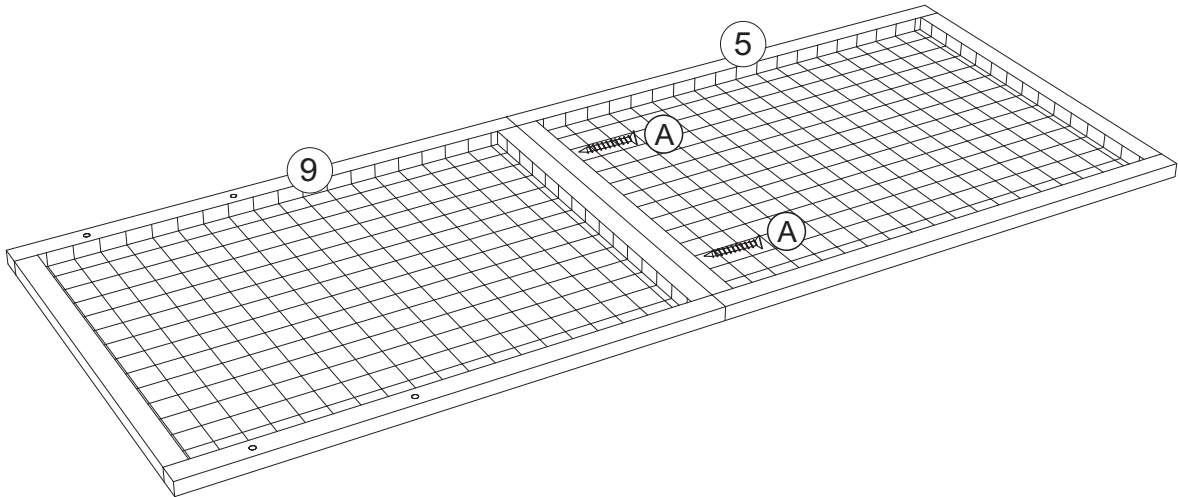
STEP 4

A x2



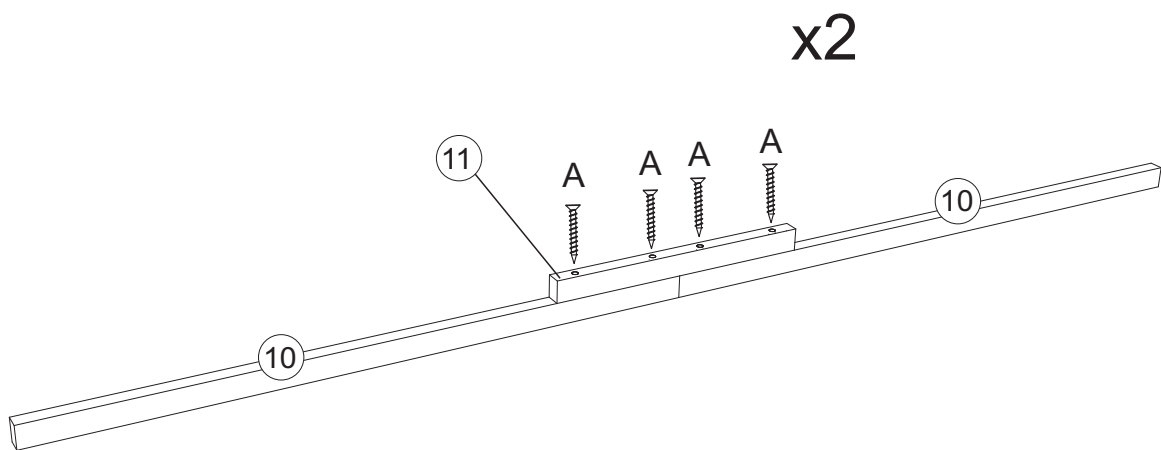
STEP 5

A x2



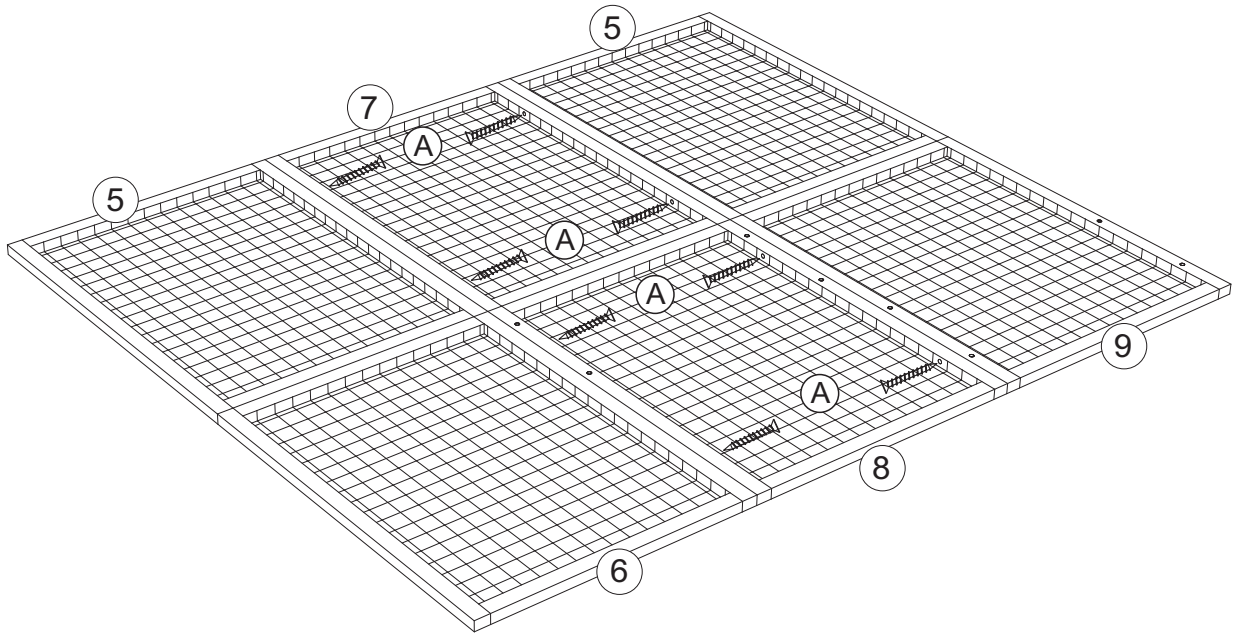
STEP 6

A x8



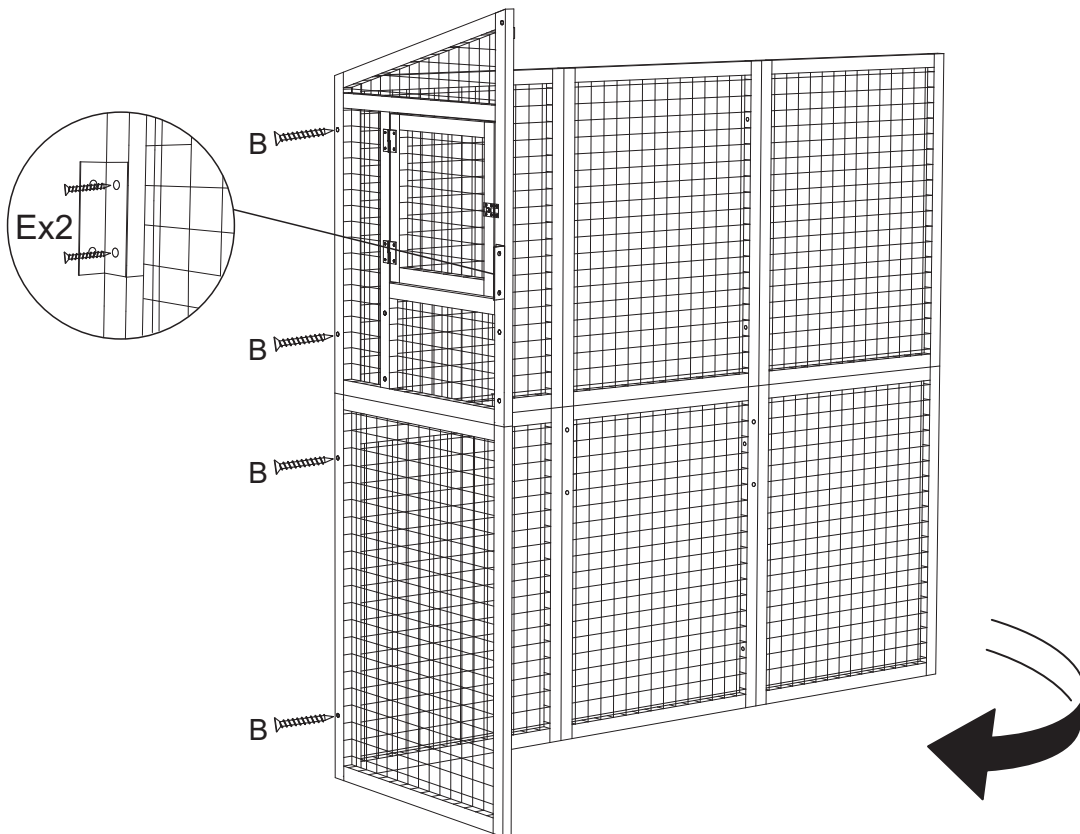
STEP 7

A x8



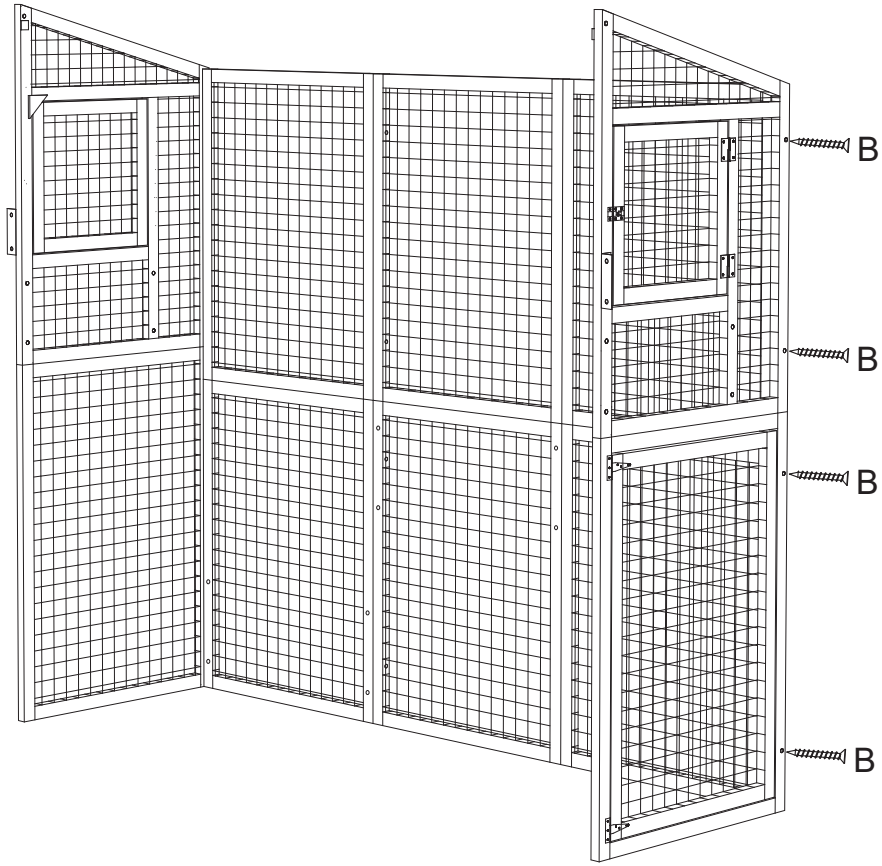
STEP 8

B x4
E x2



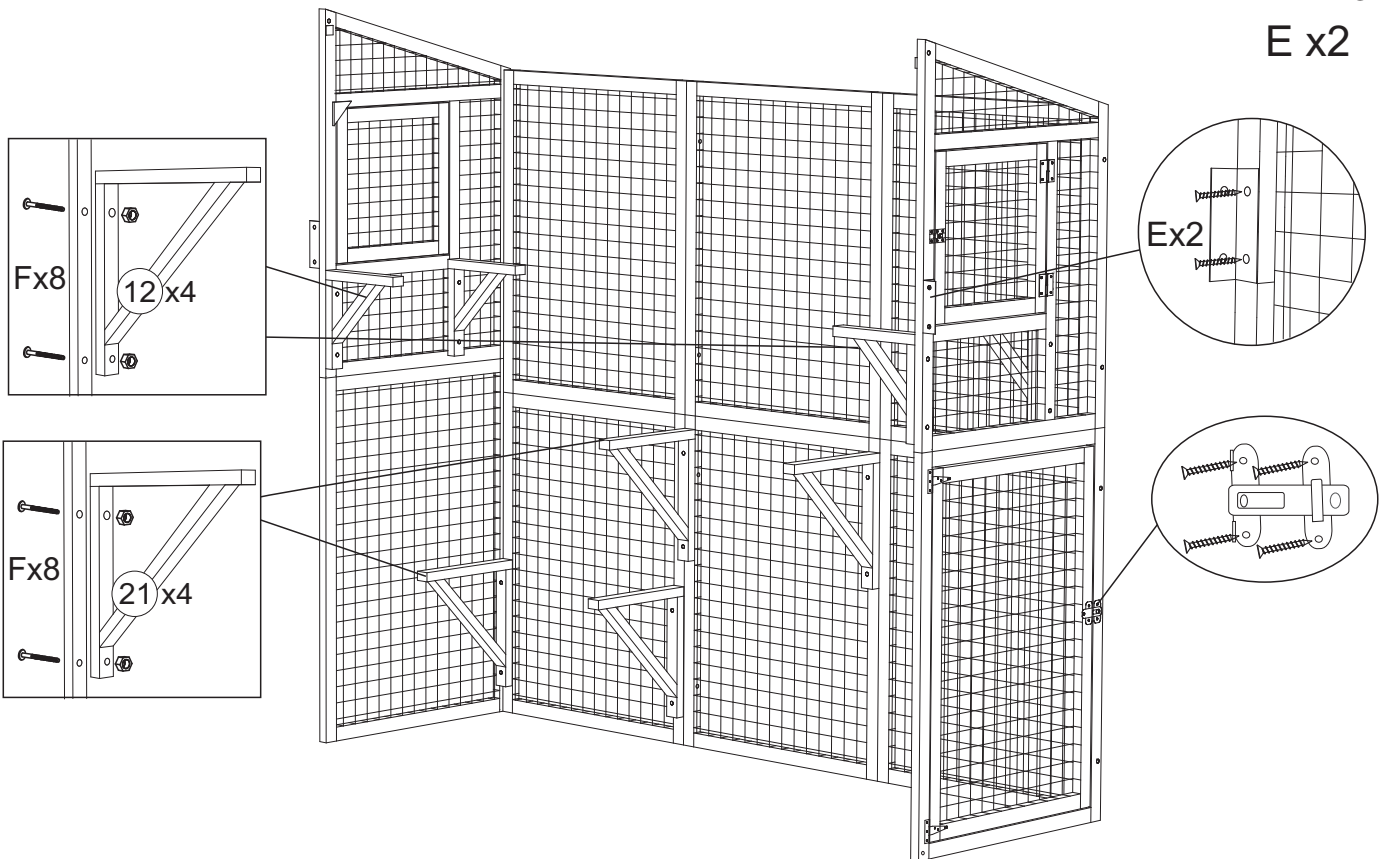
STEP 9

B x4



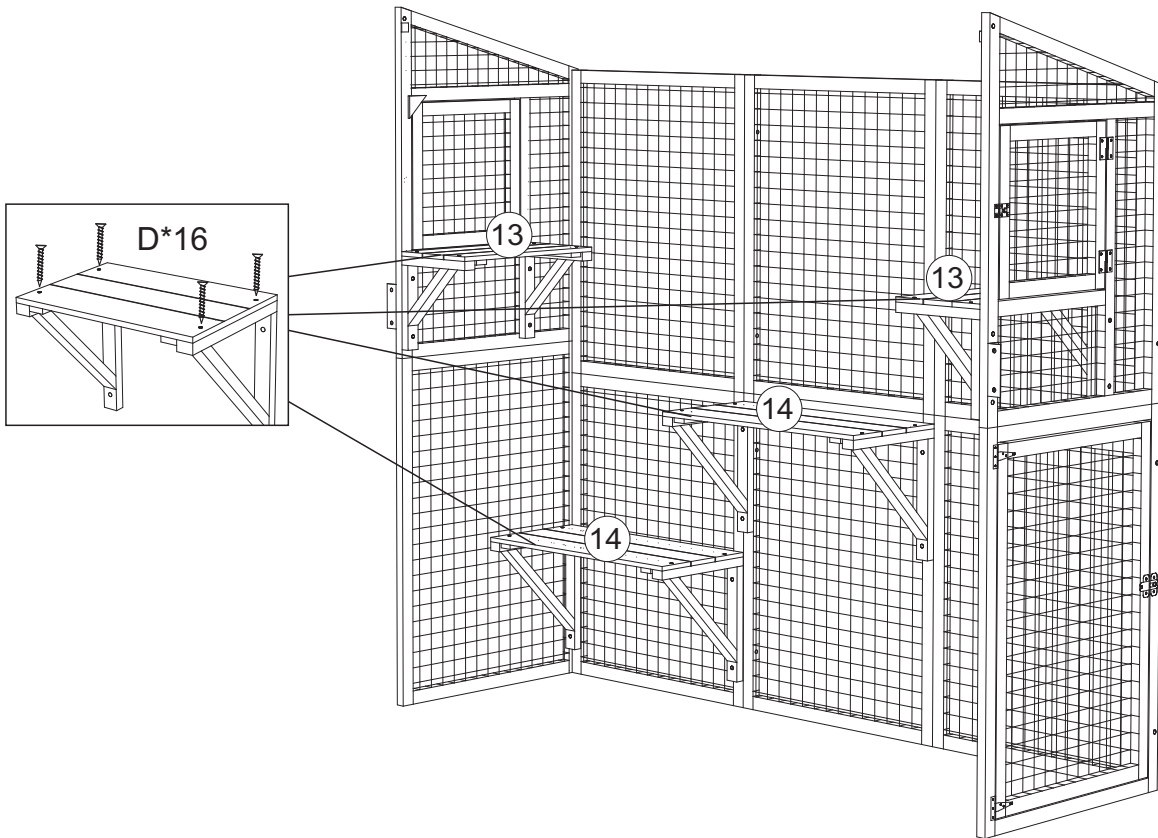
STEP 10

F x16
E x2



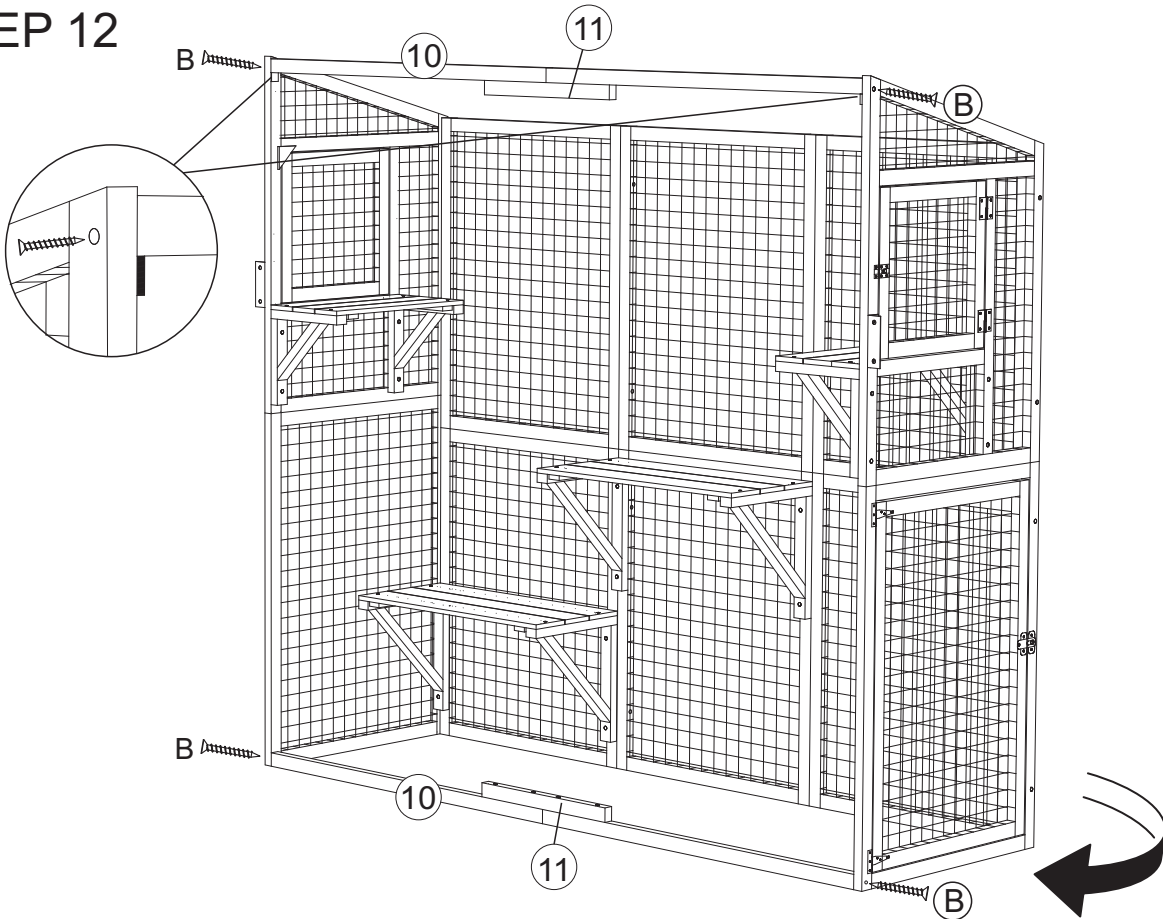
STEP 11

D x16



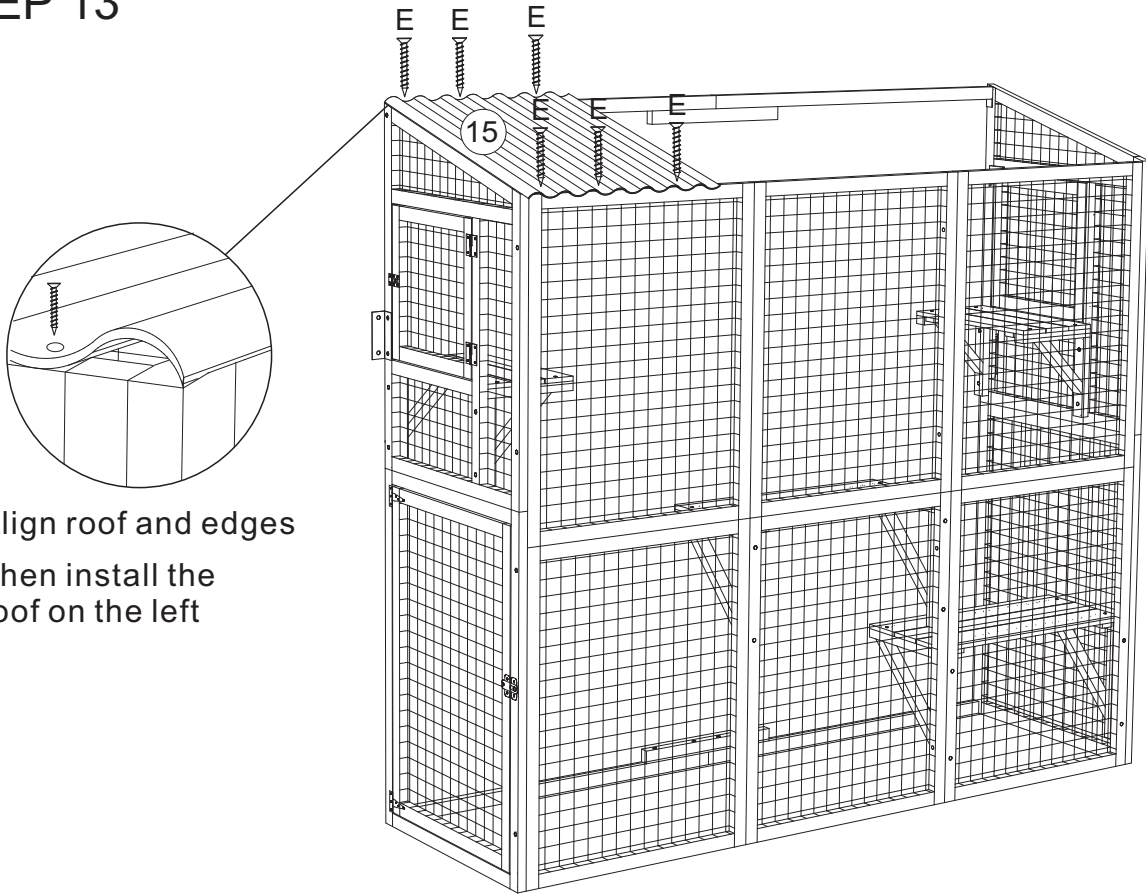
STEP 12

B x4



STEP 13

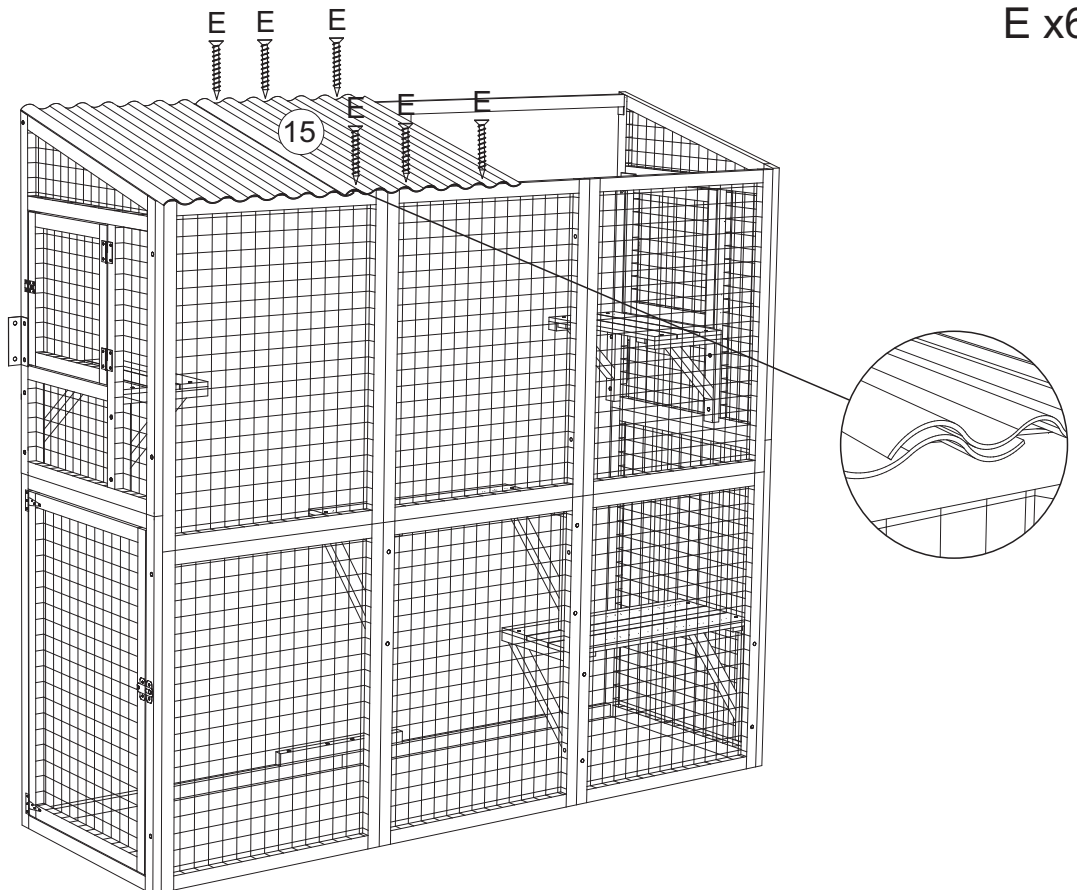
E x6



Align roof and edges
Then install the
roof on the left

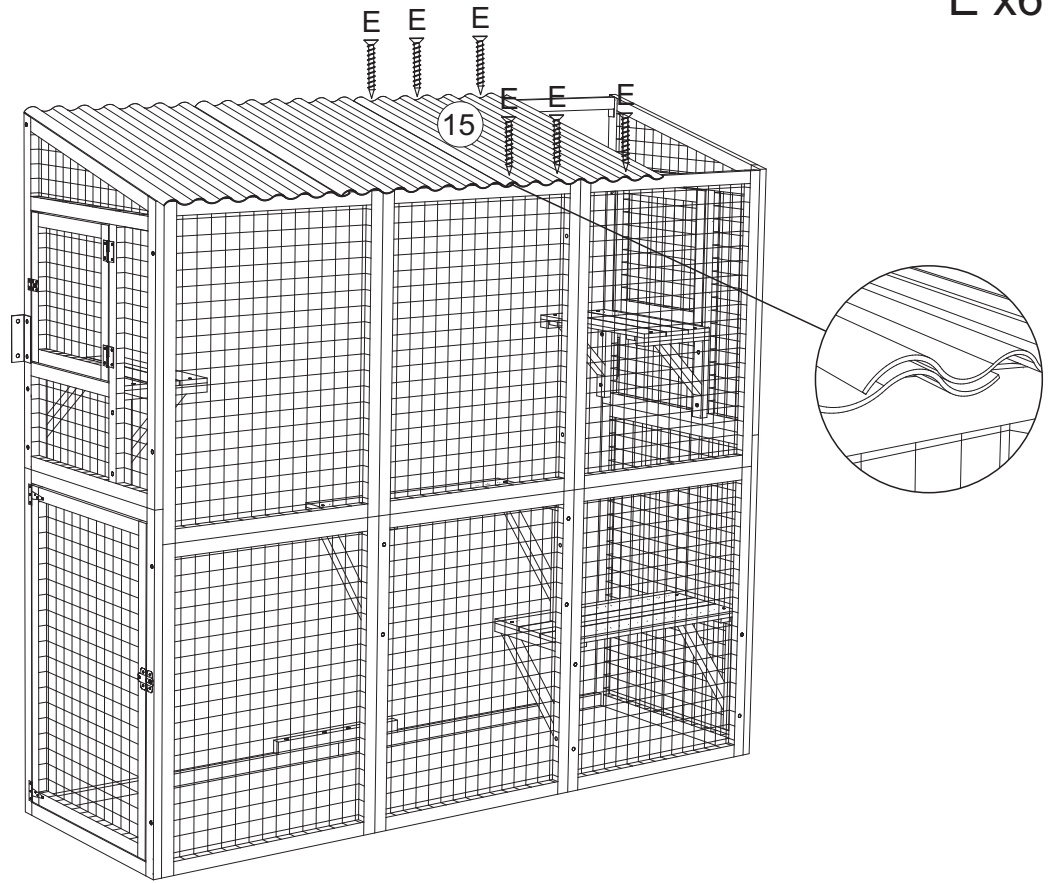
STEP 14

E x6



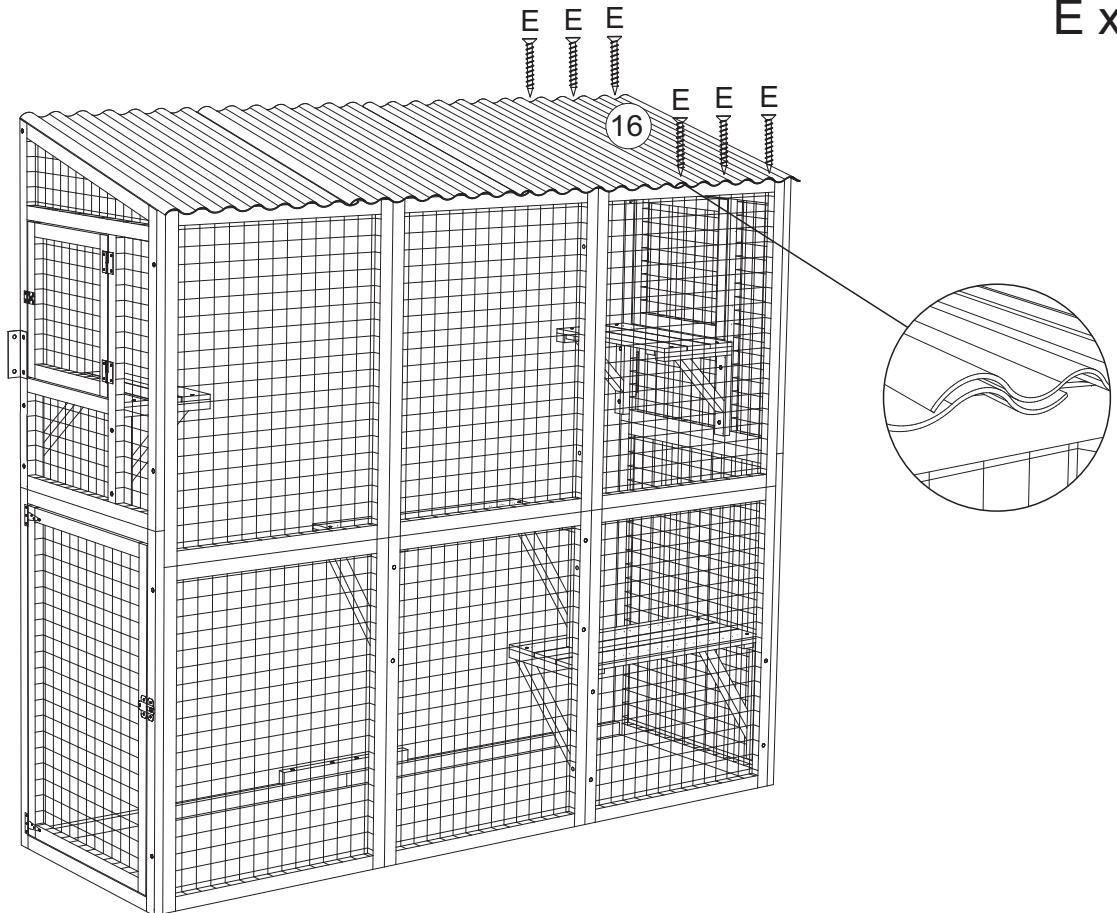
STEP 15

E x6



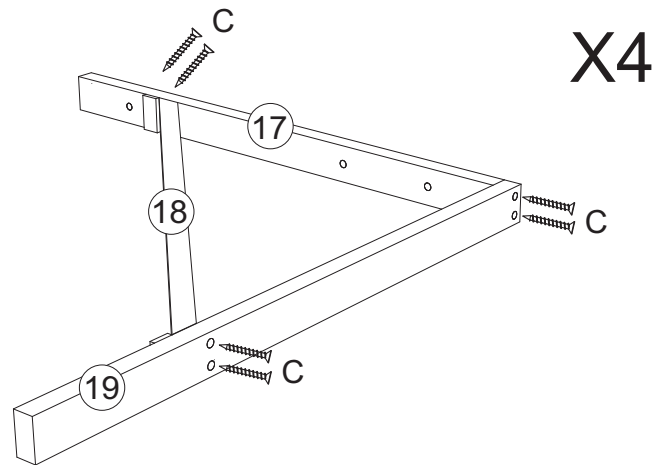
STEP 16

E x6



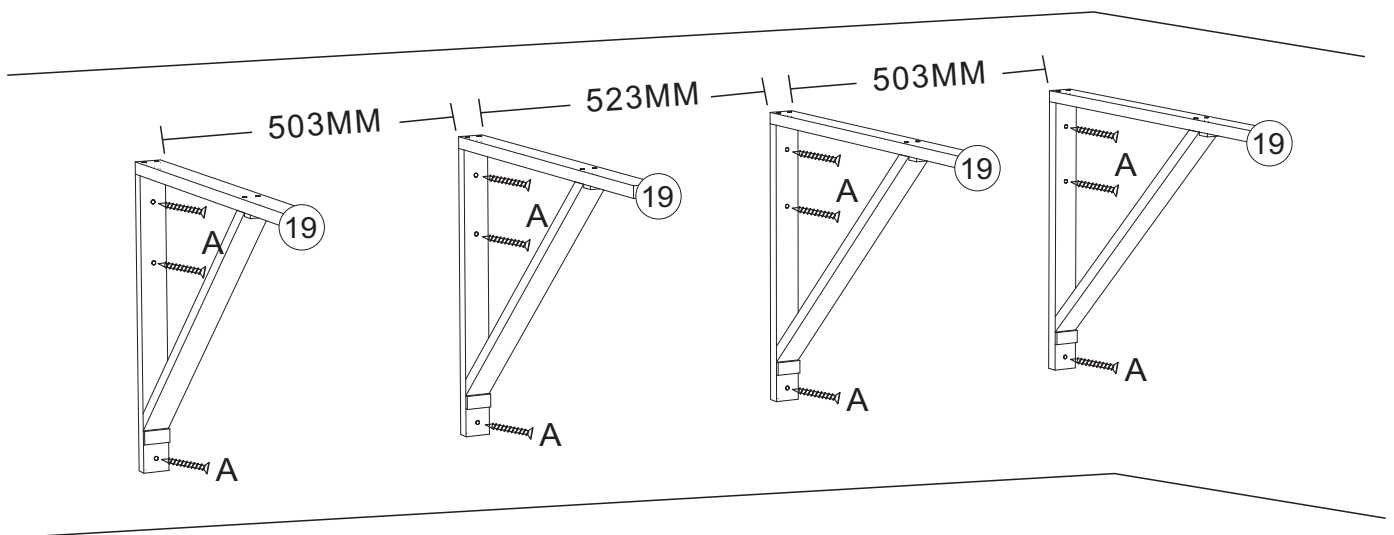
STEP 17

C x24



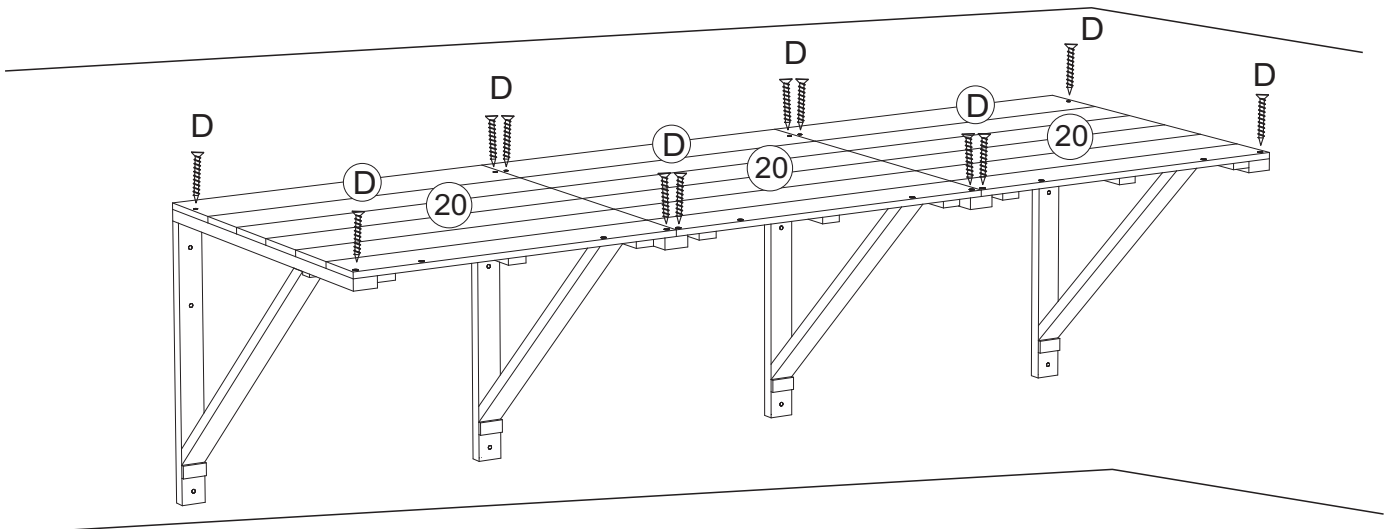
STEP 18

A x12



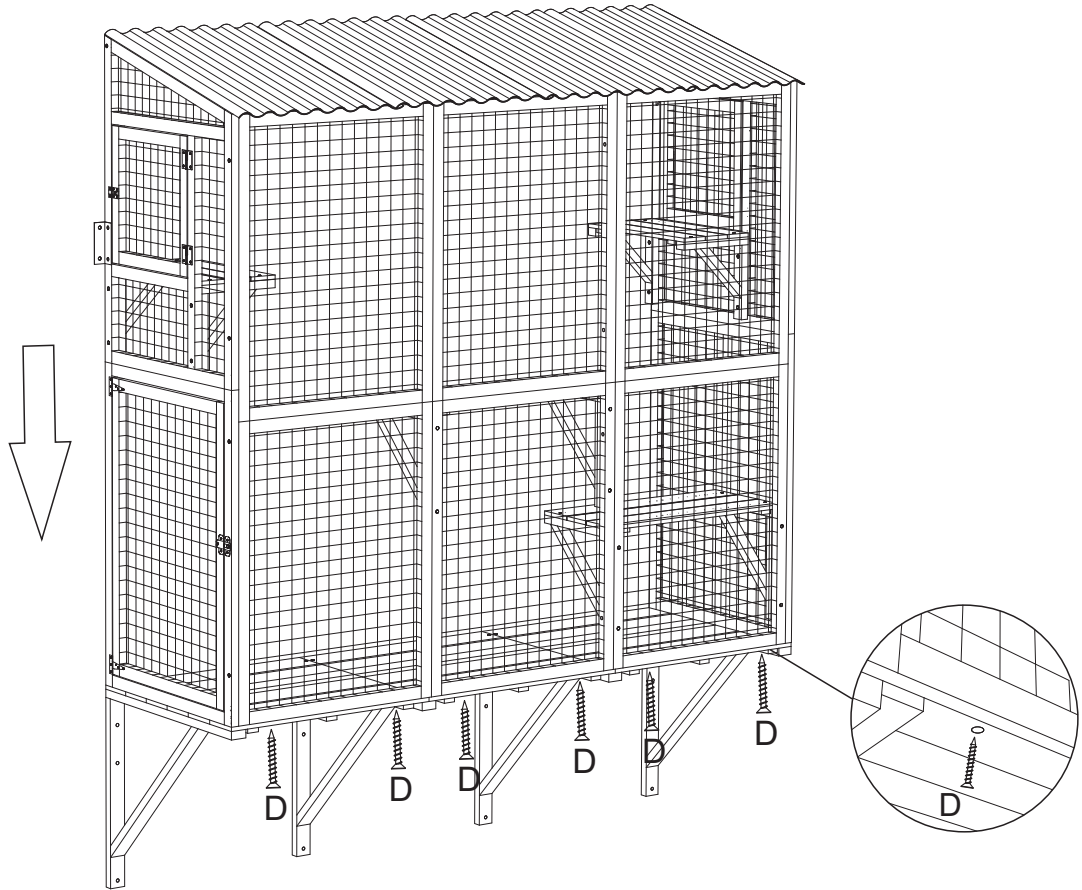
STEP 19

D x12



STEP 20

D x6



STEP 21

B x4

