

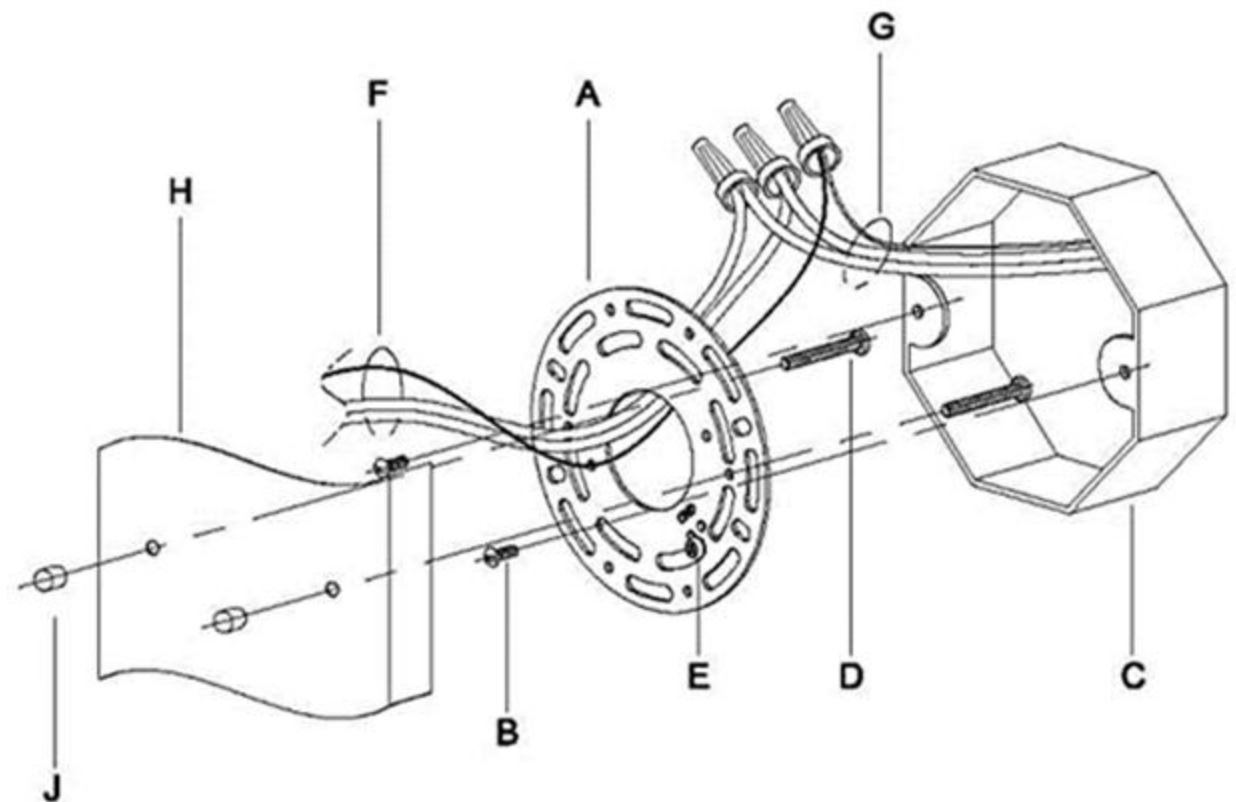
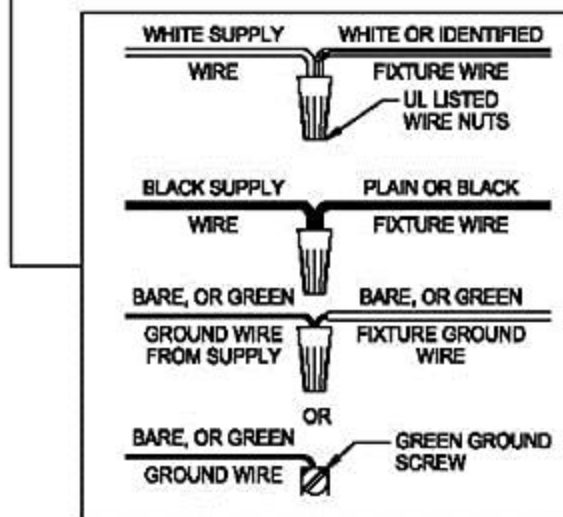
Assembly & Installation Instructions

CAUTION: Read instructions carefully and turn electricity off at main circuit breaker panel before beginning installation.

4 -Light Pendant

CANOPY MOUNTING & WIRE CONNECTION ASSEMBLY STEPS:

1. D,E → A
2. K → D
3. B,A → C
4. F → G
5. H,J → D



FIXTURE ASSEMBLY STEPS:

Install the E26 bulb after attaching the chassis to the wall



1. The lamp post is screwed on the lamp stand
2. The nut is screwed out and fixed on the bottom box
3. The white line is the negative pole, the black line is the positive pole, and connects with the main line