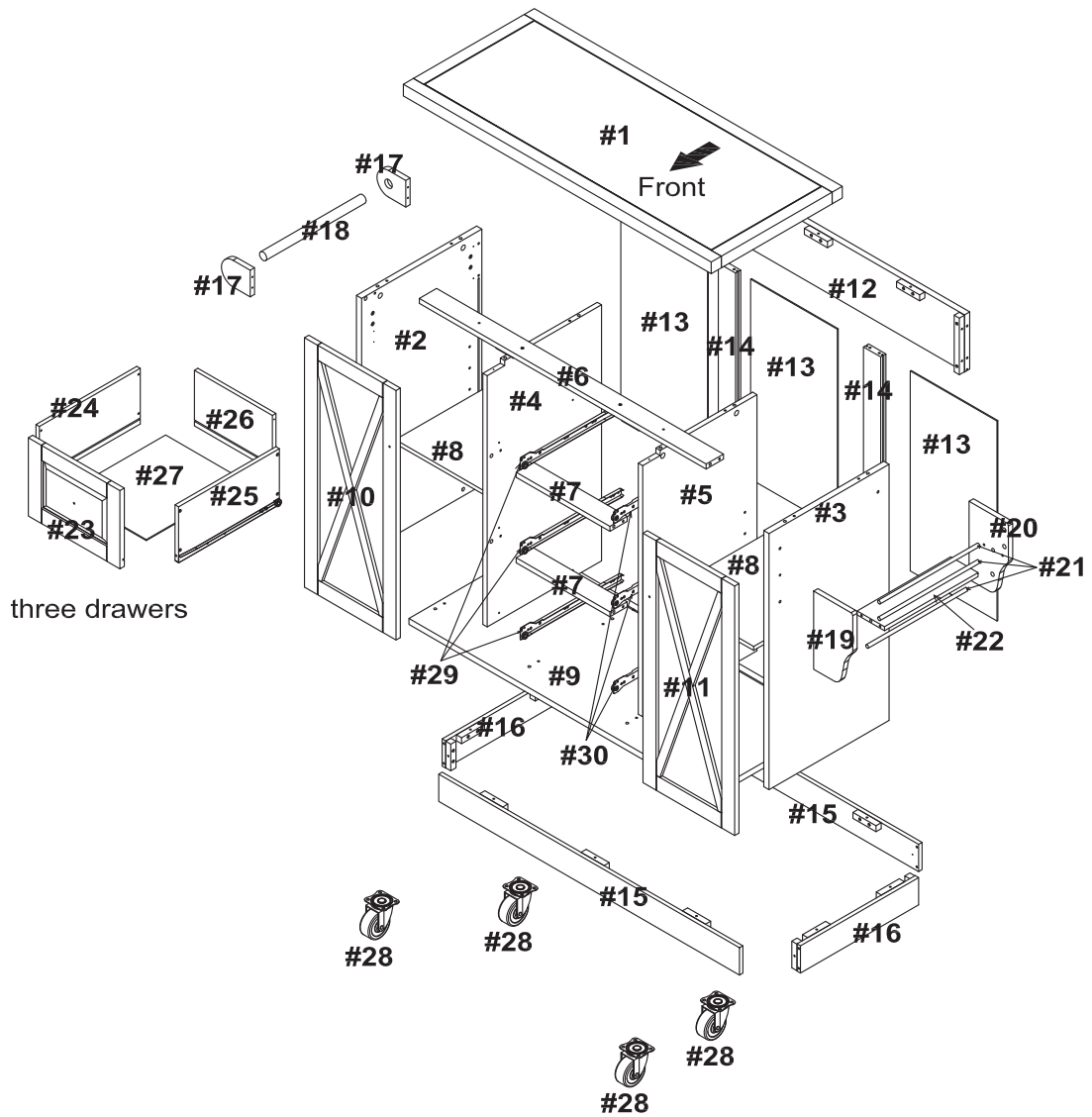




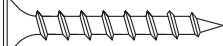






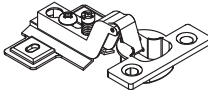




2PERS.



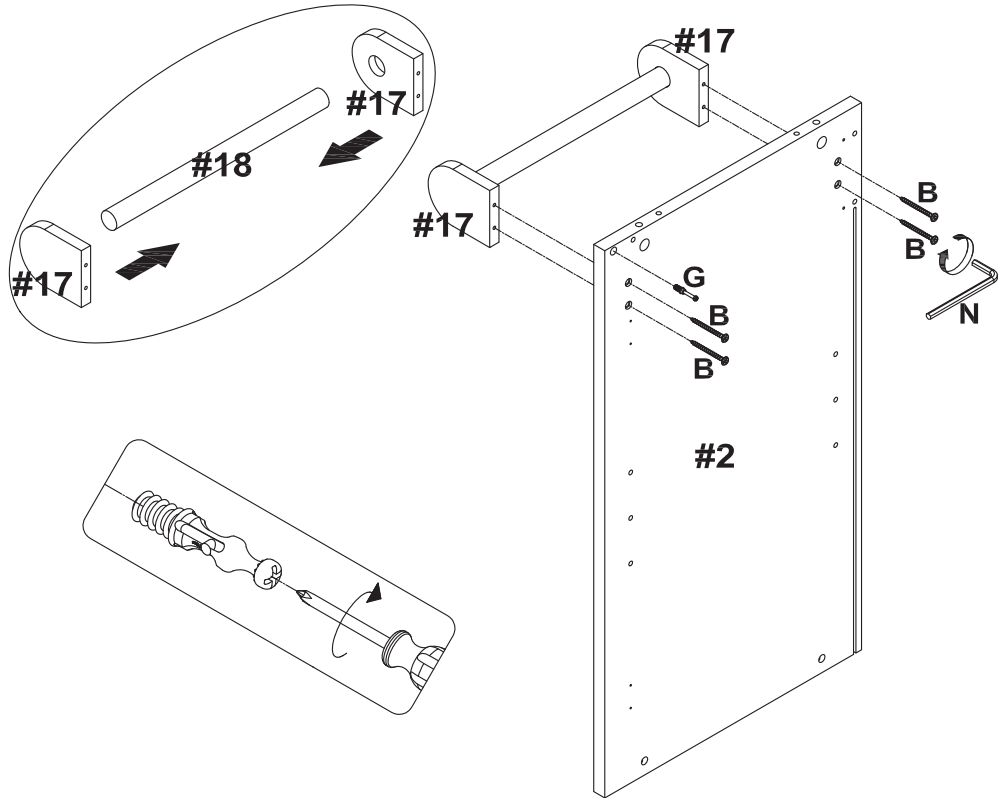
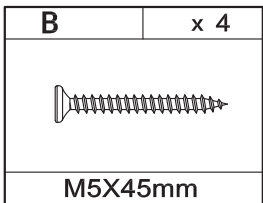
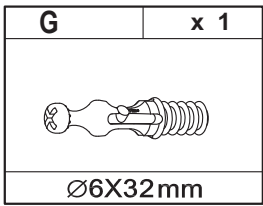
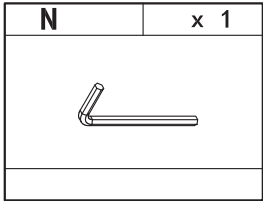
60MIN

ASSEMBLY INSTRUCTIONS

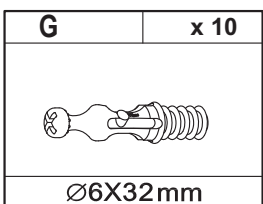
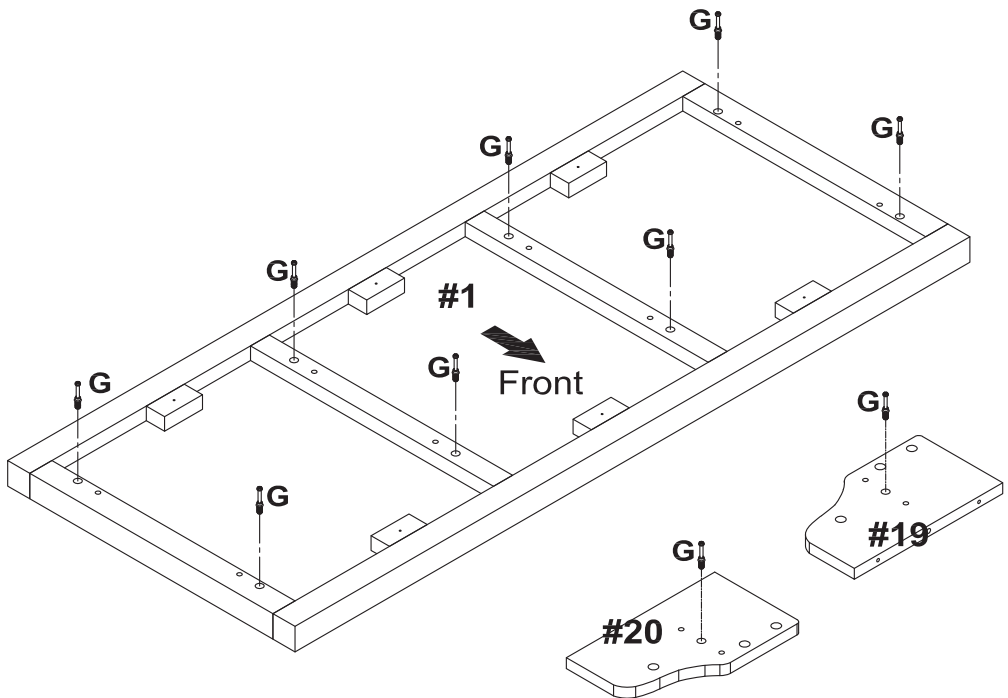
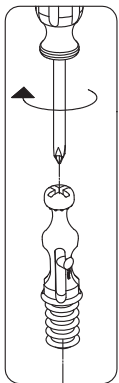


A x 8  M6X45mm	B x 8  M5X45mm	C x 46  M4X30mm	D x 4  M4X25mm	E x 34  M4X12mm
F x 16  M5X16mm	G x 16  Ø6X32mm	H x 16 	I x 8 	J x 4 
K x 8 	L x 5 	M x 48  Ø6X30mm	N x 1 	

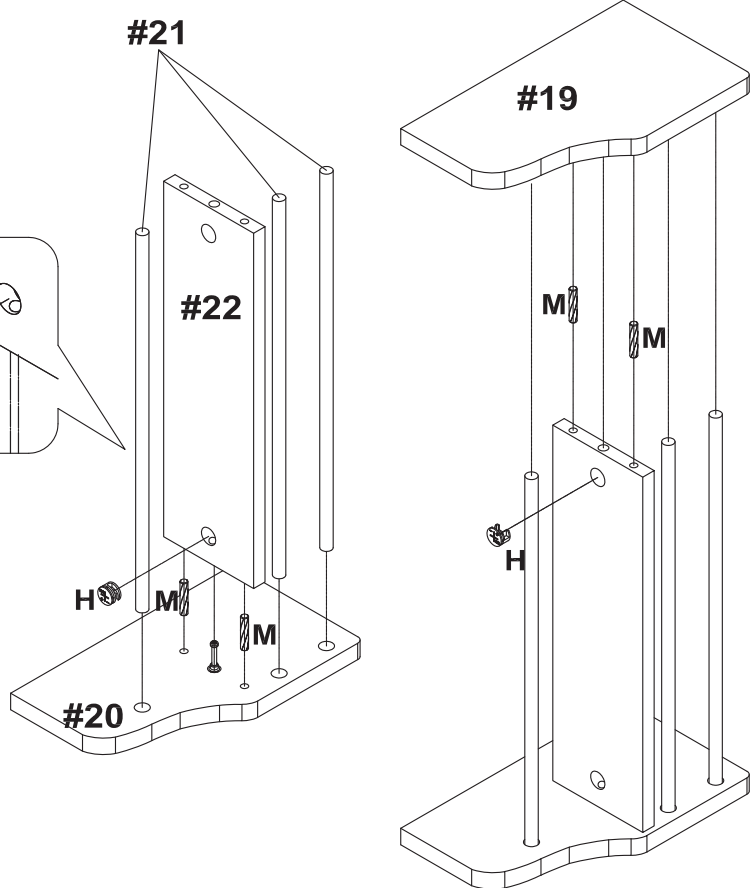
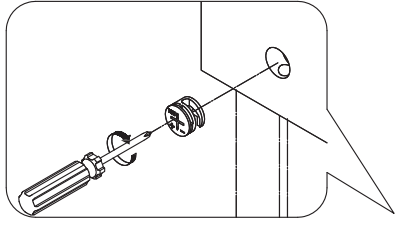
1





2




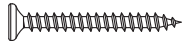


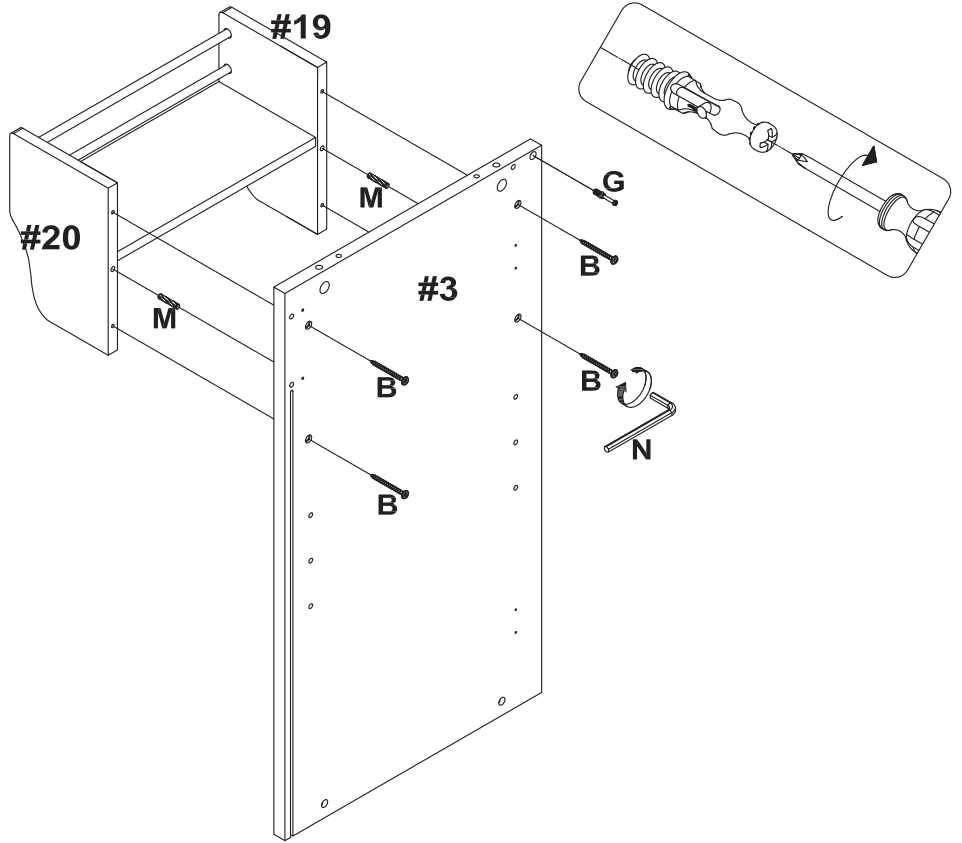
3



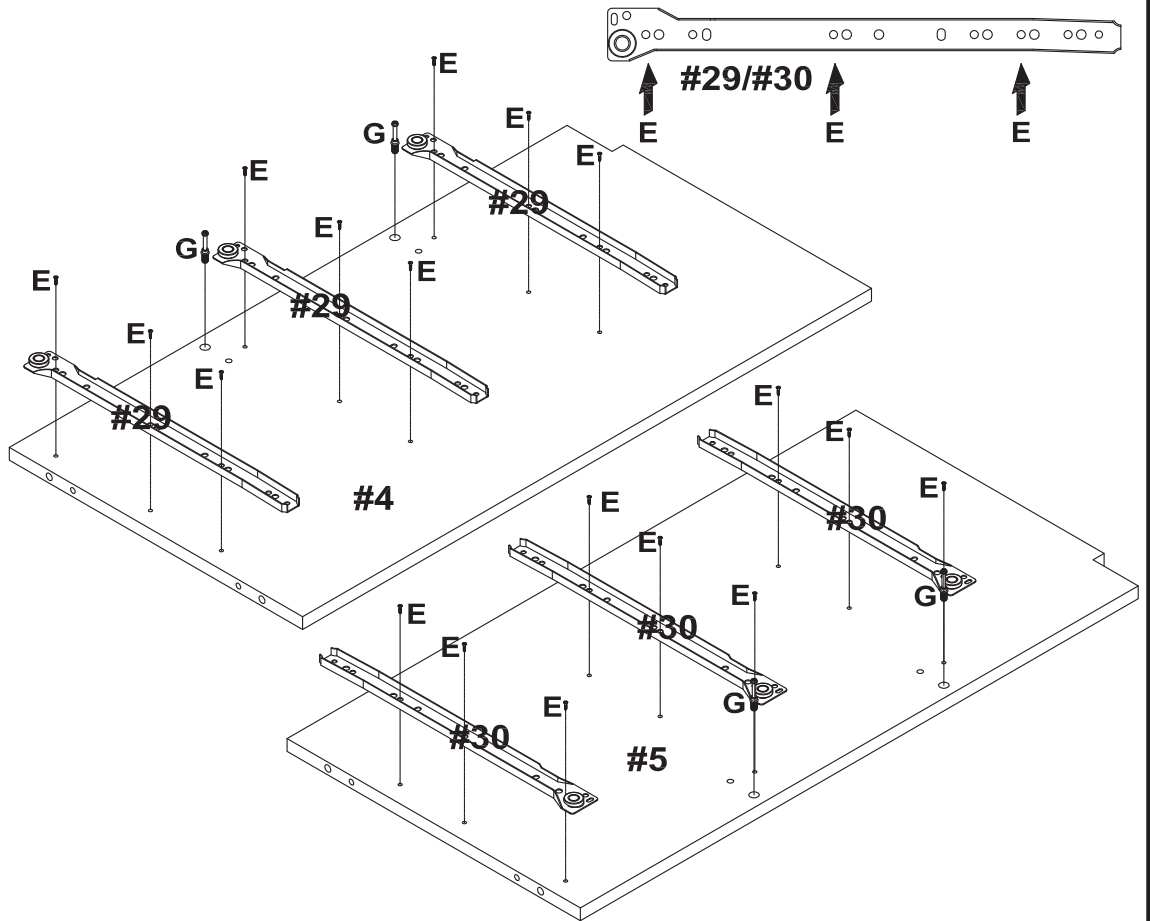
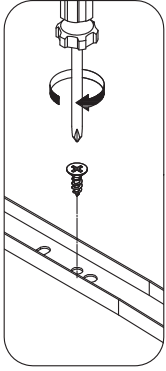
M	x 4
	
Ø6X30mm	
H	x 2
	

4

N	x 1
	
M	x 2
	
Ø6X30mm	
G	x 1
	
Ø6X32mm	
B	x 4
	
M5X45mm	



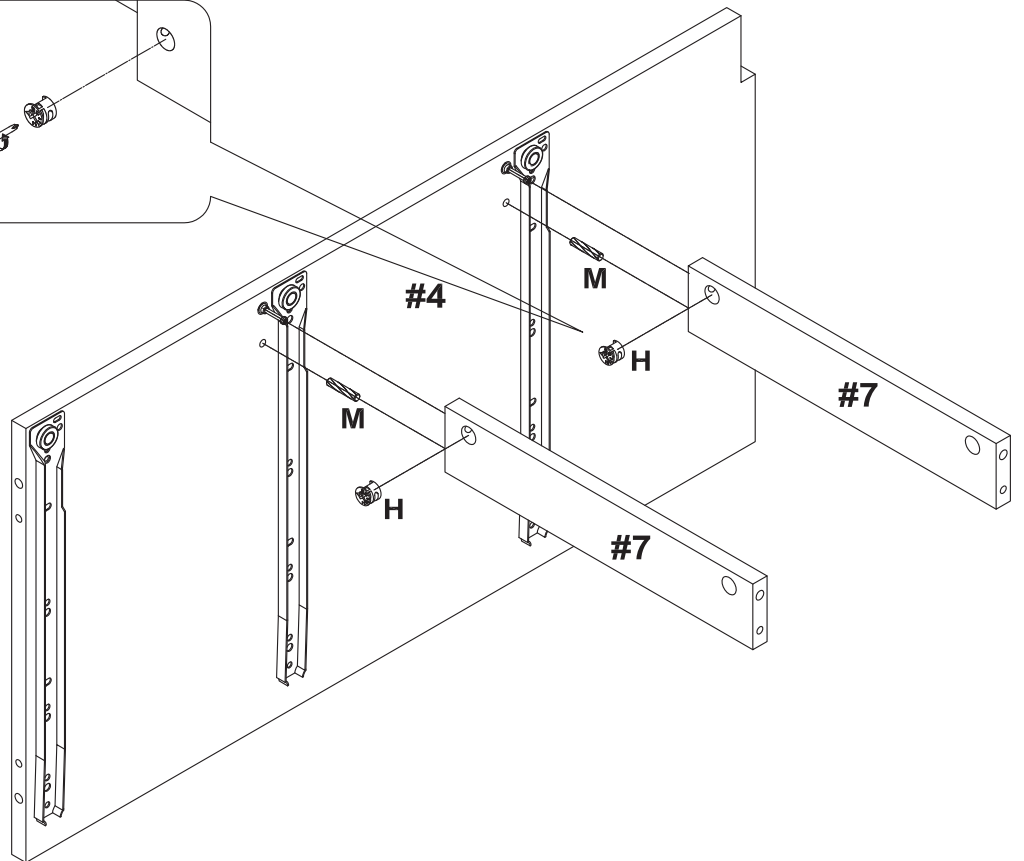
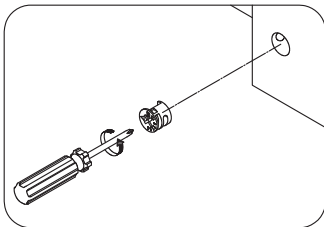
5



G	x 4
Ø6X32mm	

E	x 18
M4X12mm	

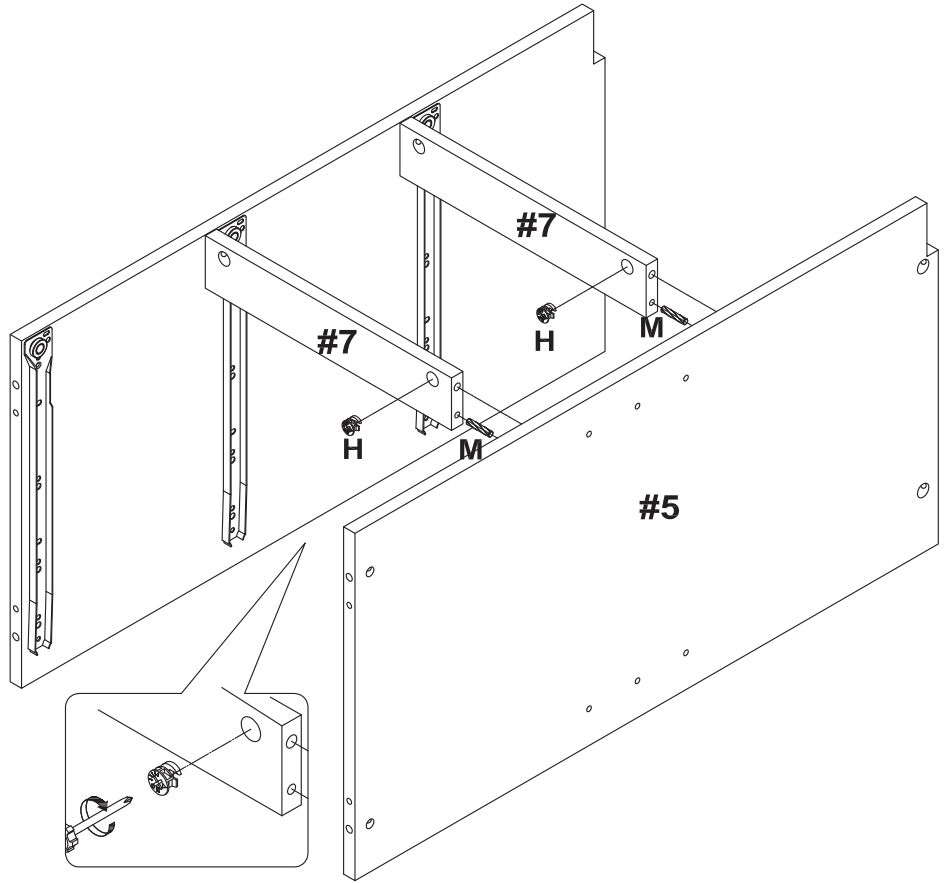
6





M	x 2
Ø6X30mm	

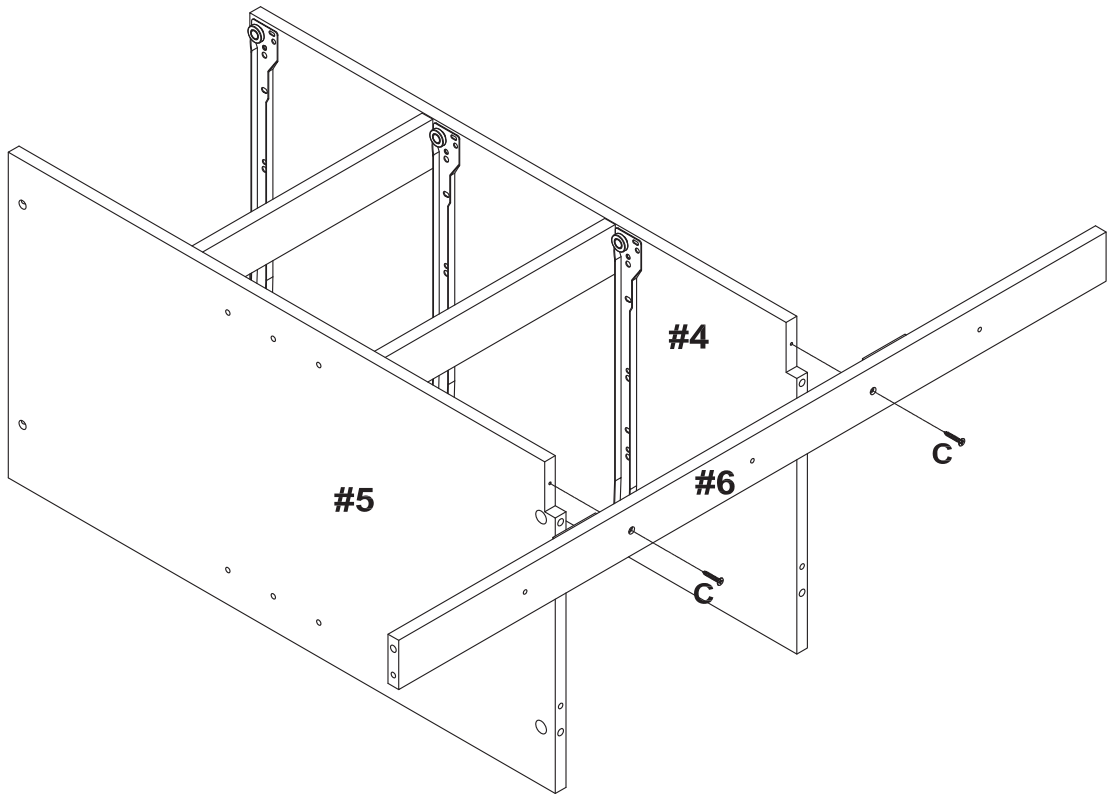
H	x 2

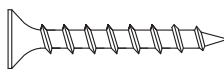
7



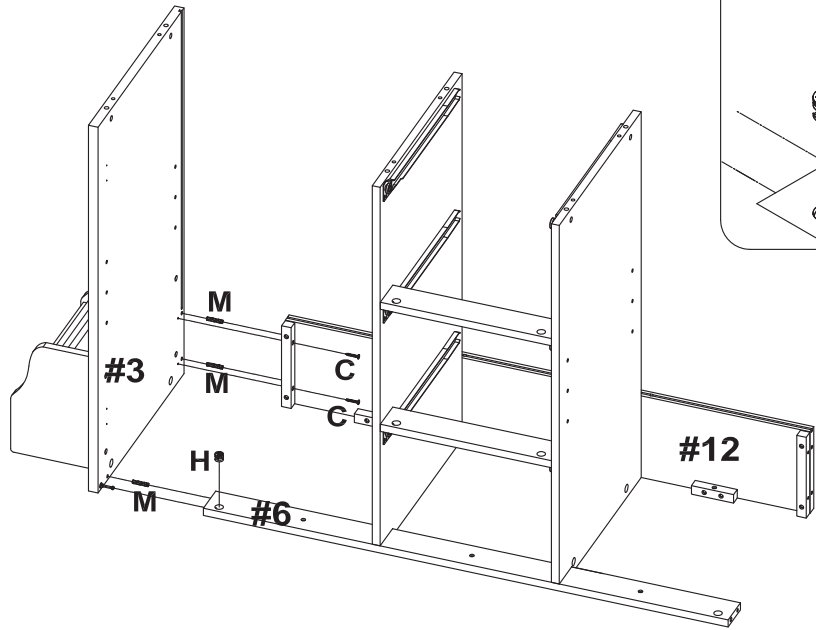
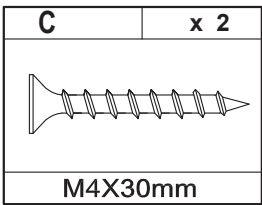
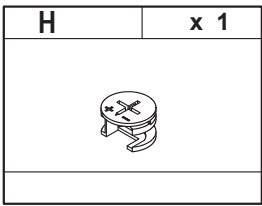
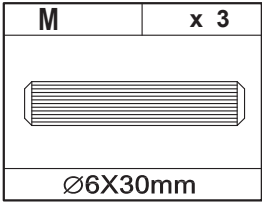
M	x 2
	
Ø6X30mm	
H	x 2
	

8

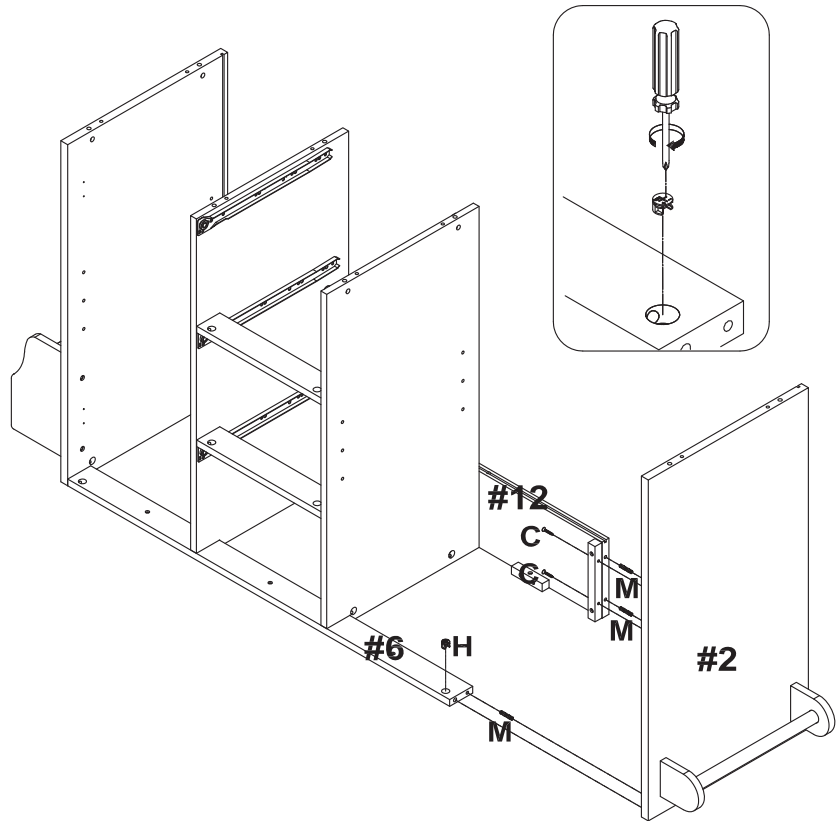
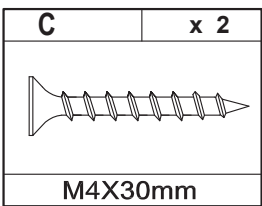
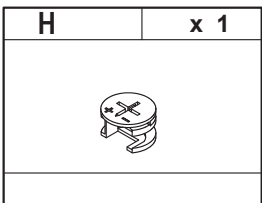
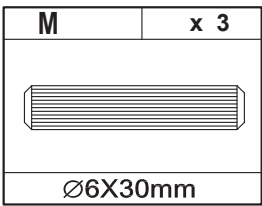


C	x 2
	
M4X30mm	

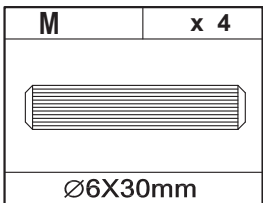
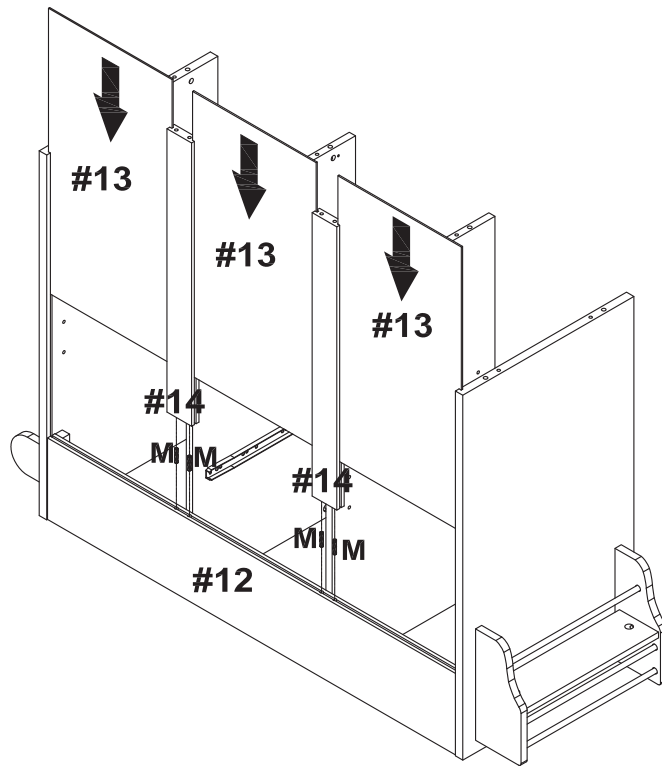
9



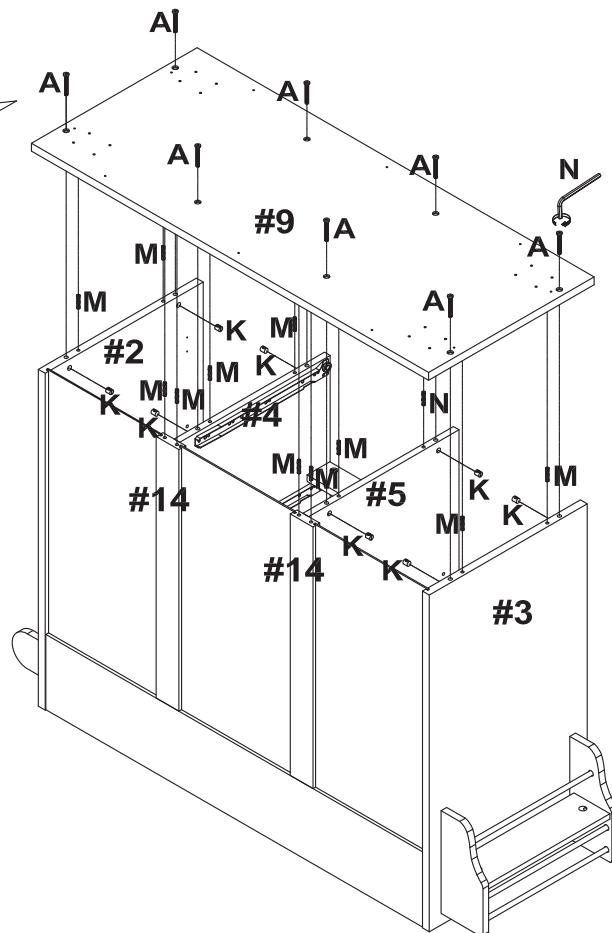
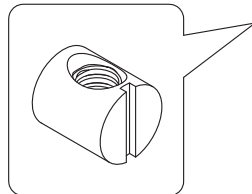
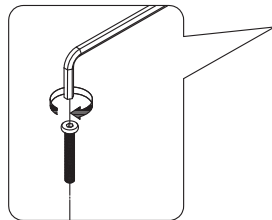
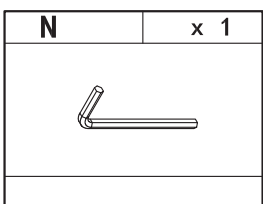
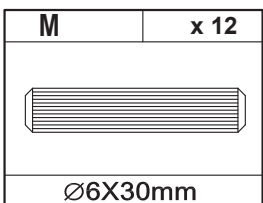
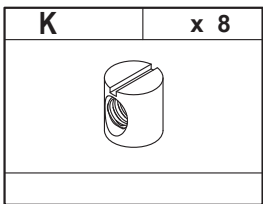
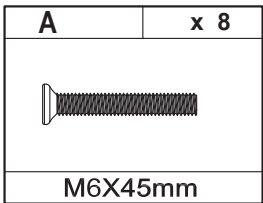
10



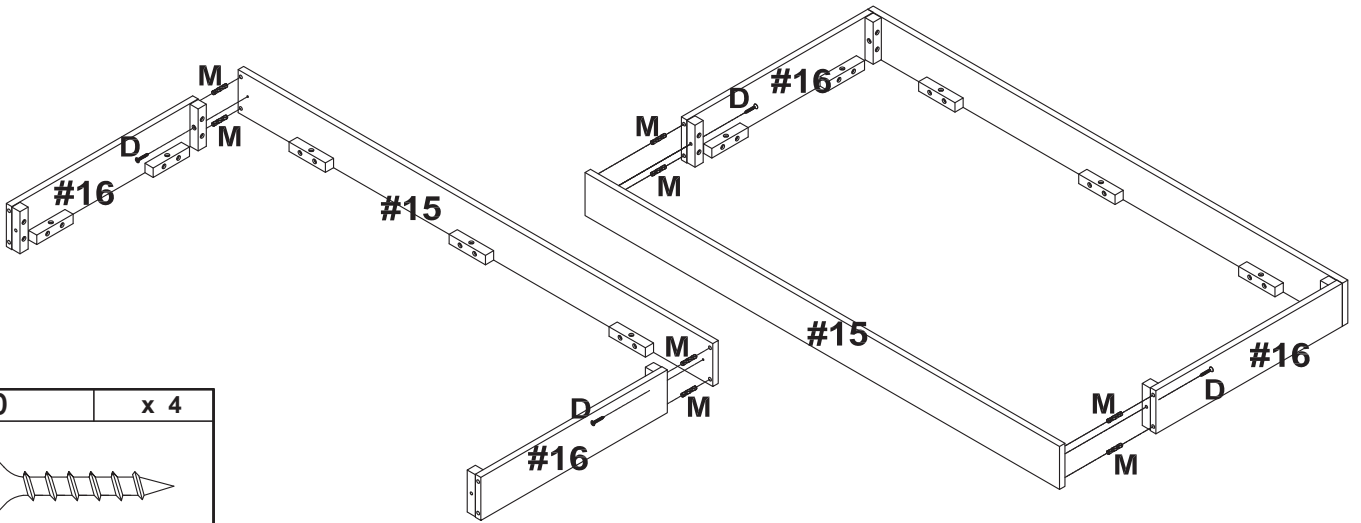
11



12

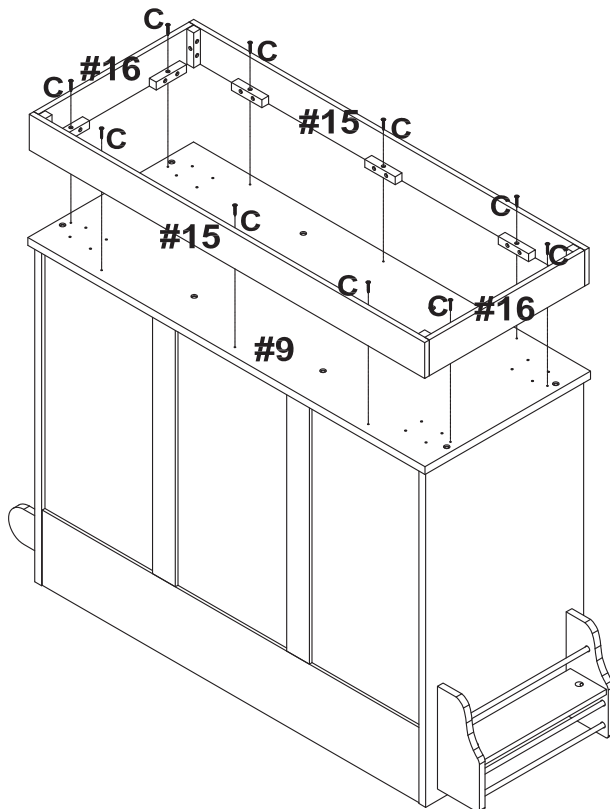


13



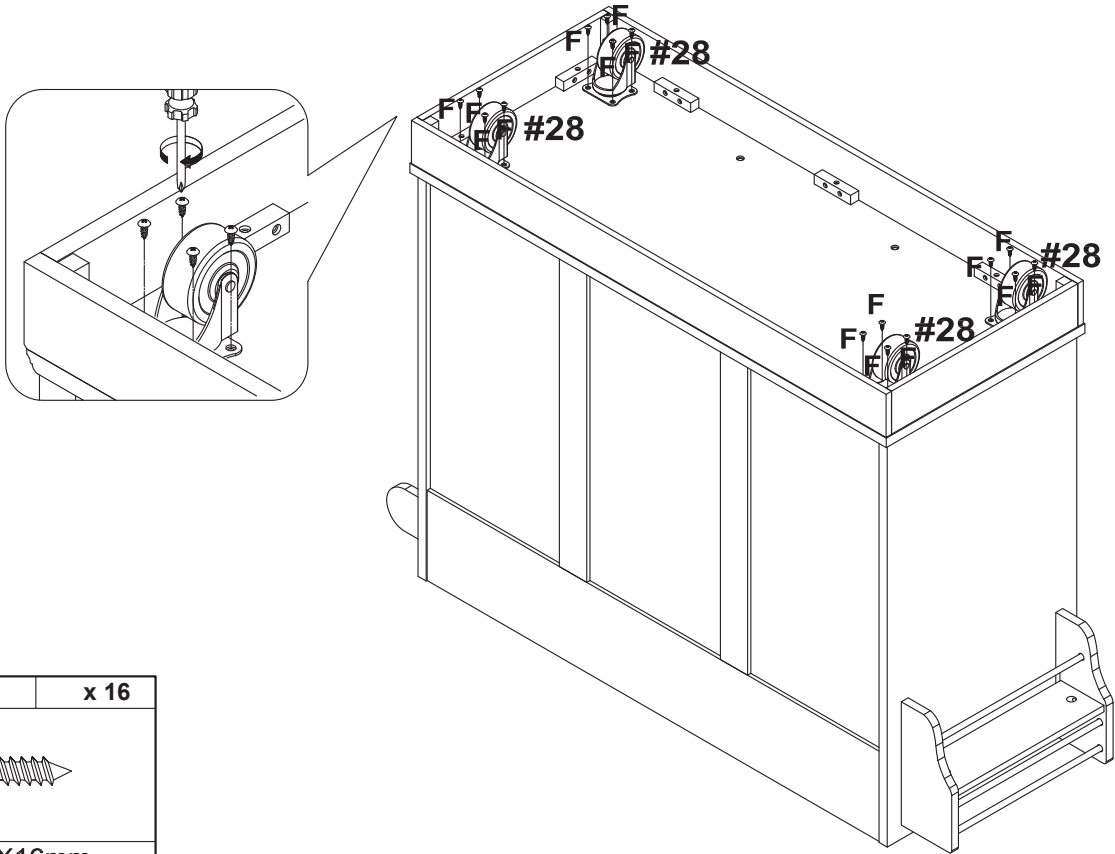
D	x 4
M4X25mm	
M	x 8
Ø6X30mm	

14



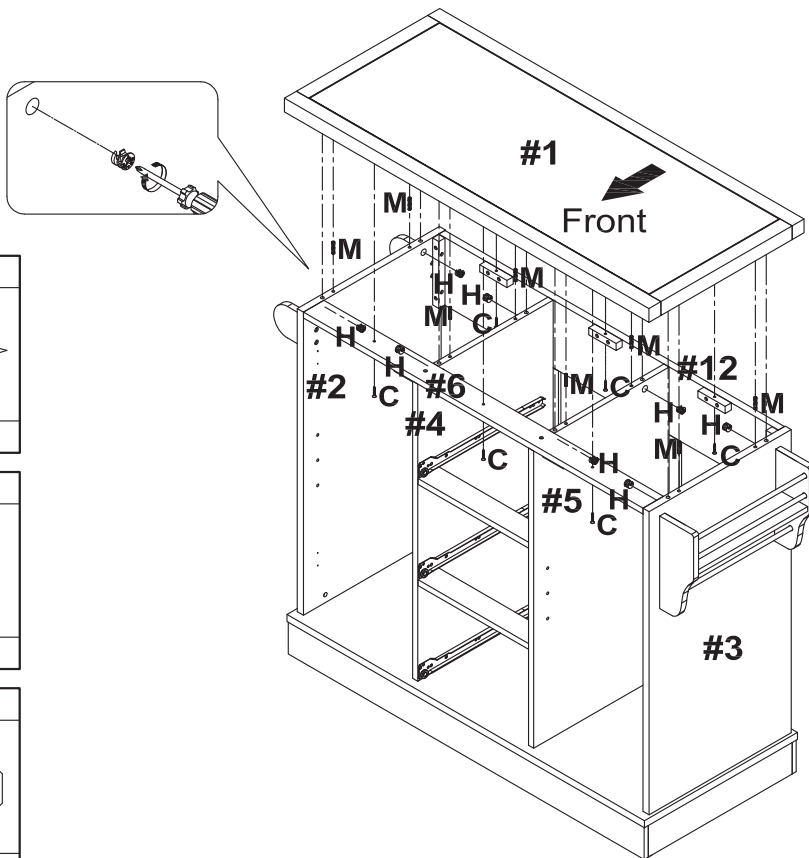
C	x 10
M4X30mm	

15



F	x 16
M5X16mm	

16

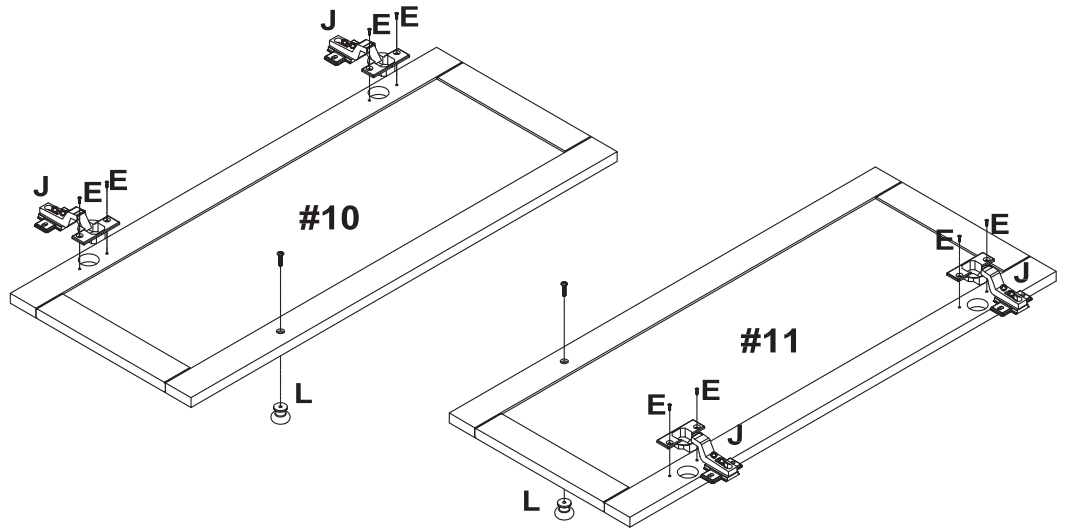
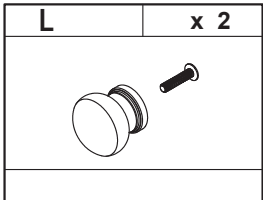
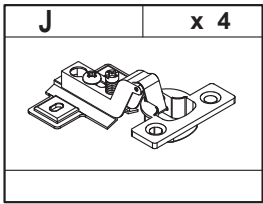
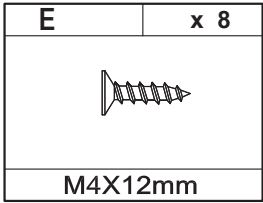


C	x 6
M4X30mm	

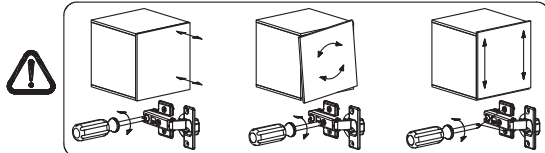
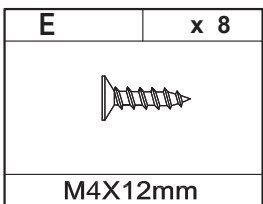
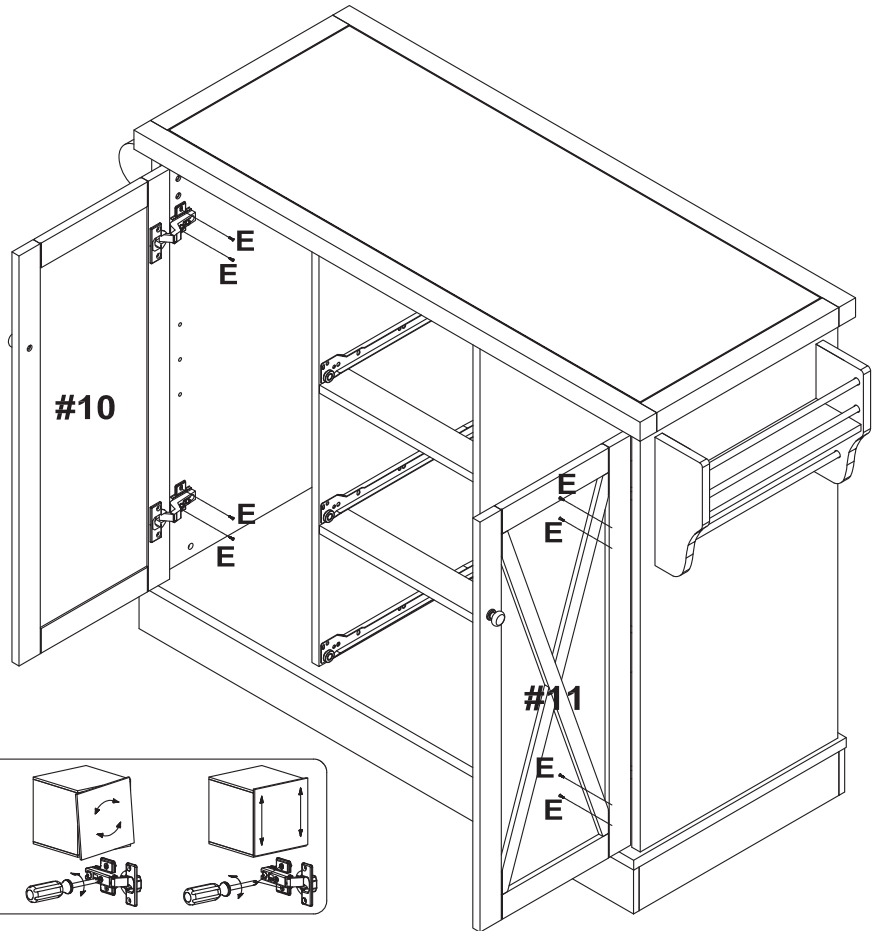
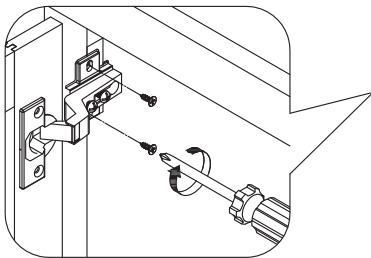
H	x 8

M	x 8
Ø6X30mm	

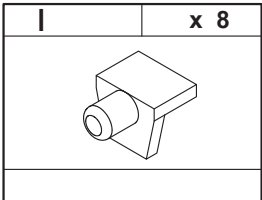
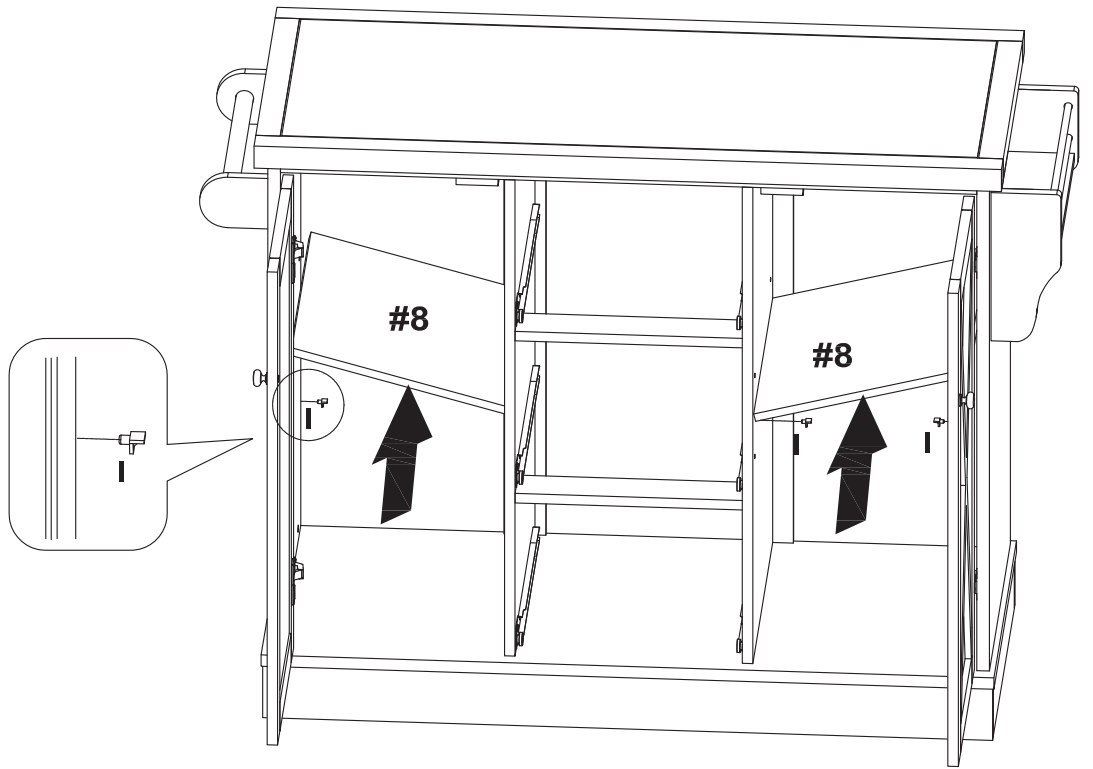
17



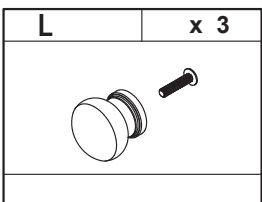
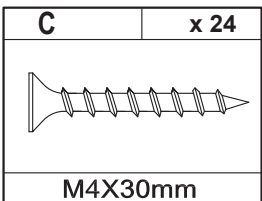
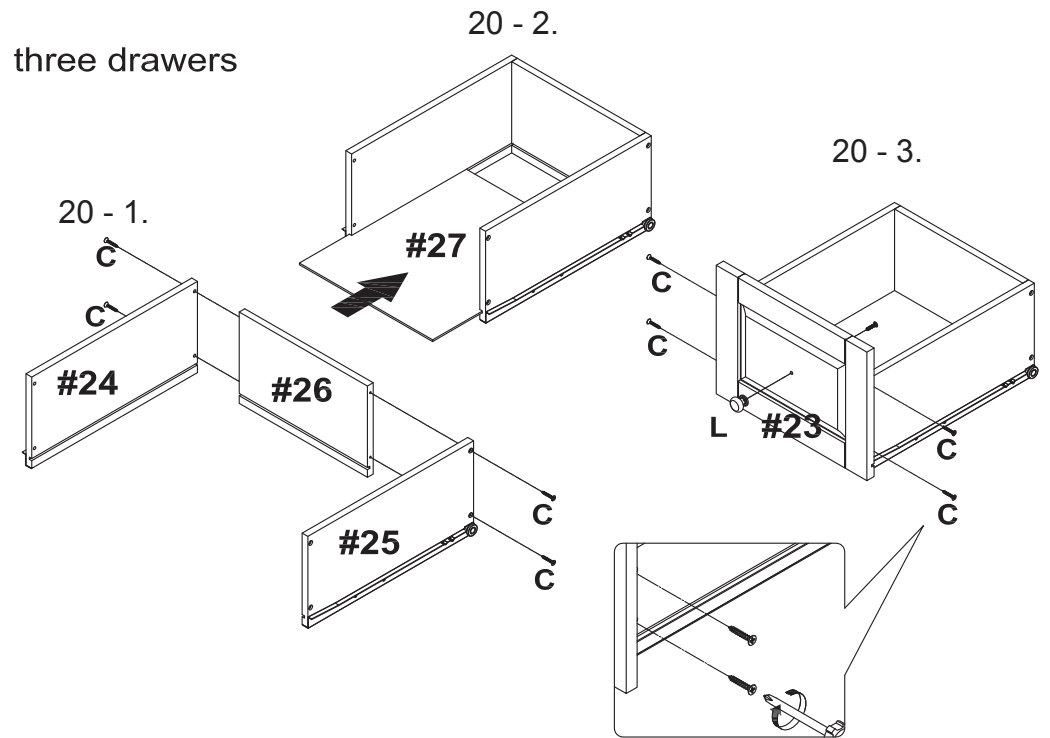
18



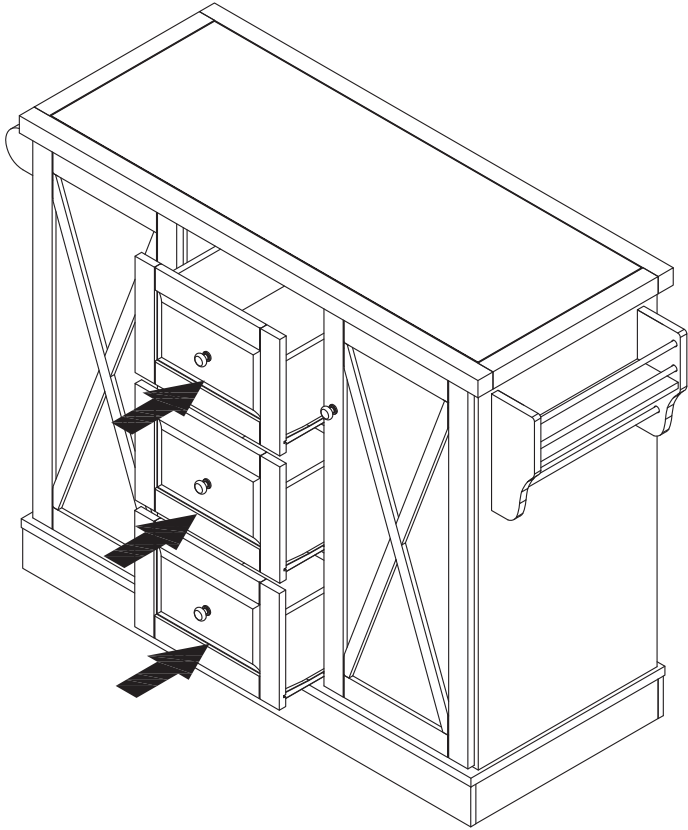
19



20



21



22

