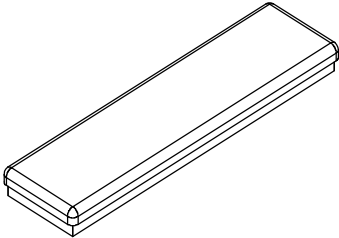


# ASSEMBLY INSTRUCTION

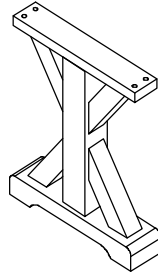
## MODEL: D21/22/300/303- BENCH

DO NOT FULLY TIGHTEN BOLTS UNTIL THE ENTIRE ITEM IS COMPLETELY ASSEMBLED

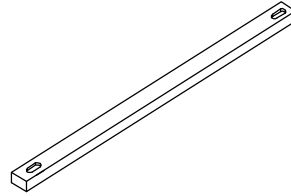
**A=1PC**



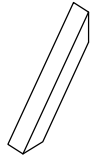
**B=2PCS**



**C=1PCS**

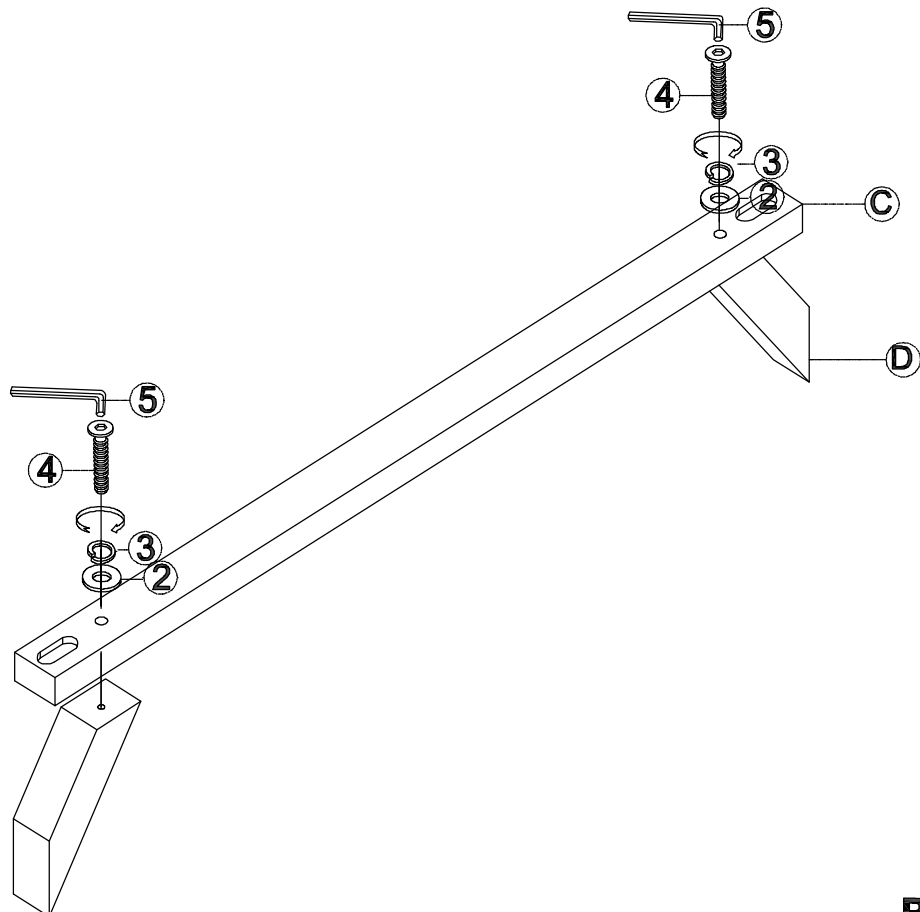


**D=2PCS**

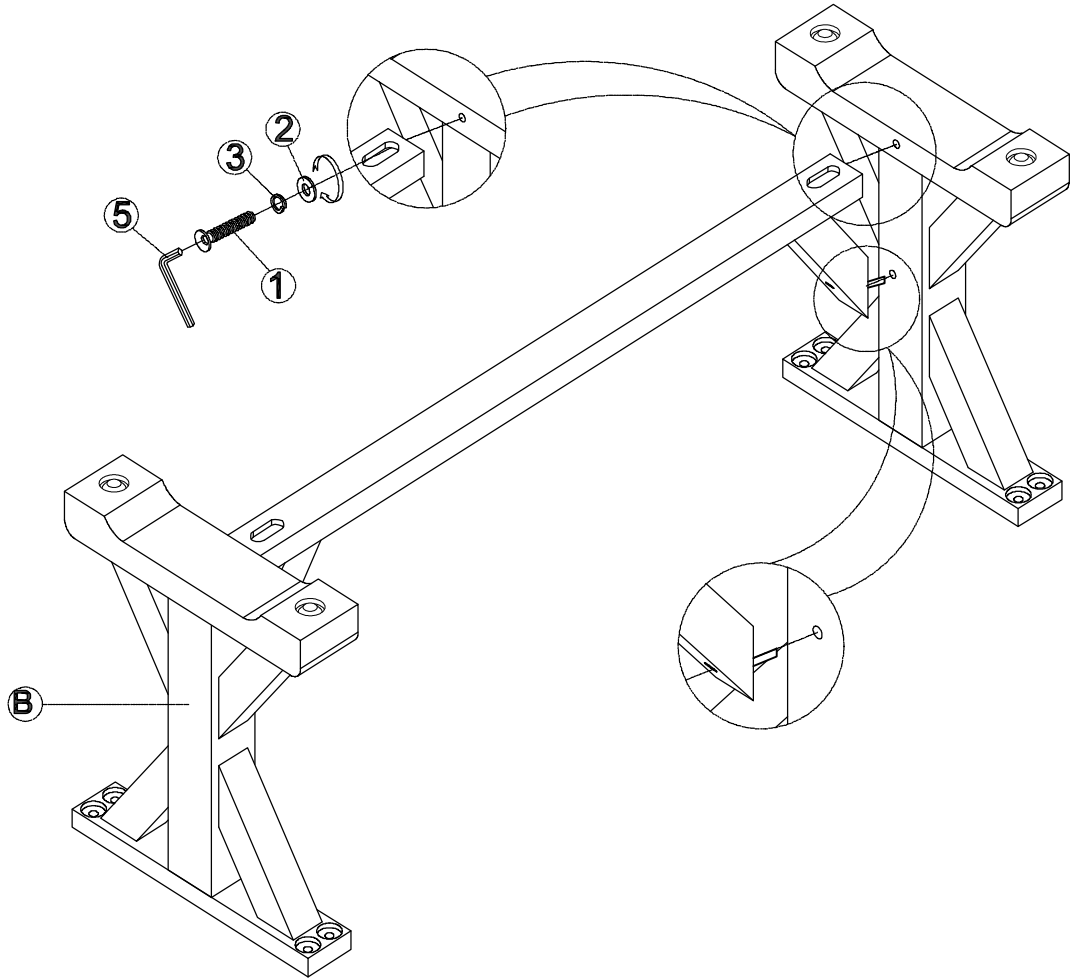


No.	Description.	Image	Q.Ty
1	BOLT Ø 1/4" X 35mm		10 PCS
2	FLAT WASHER		12 PCS
3	SPRING WASHER		12 PCS
4	BOLT Ø 1/4" x 45mm		2 PCS
5	ALLEY KEY		2 PC

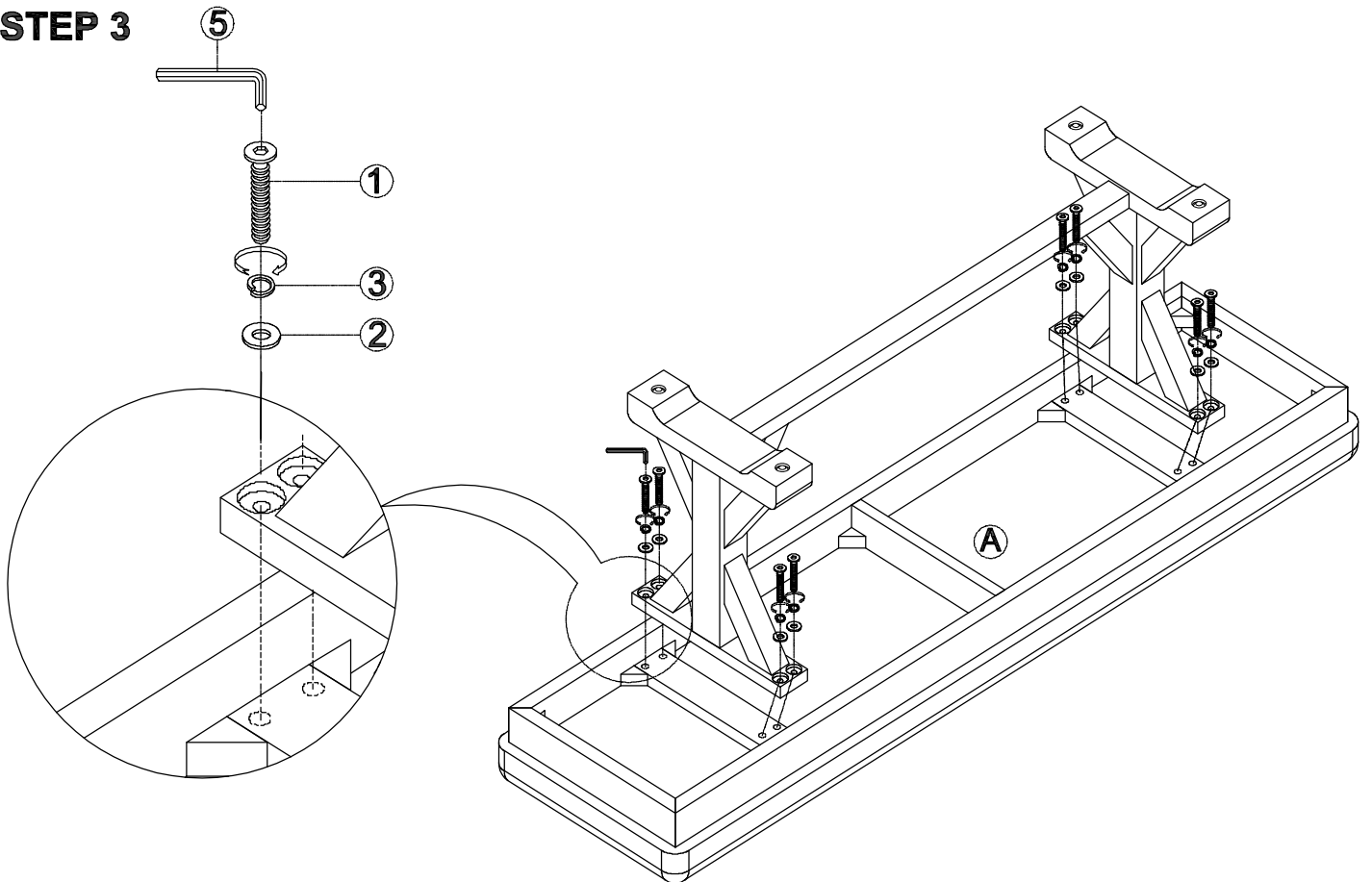
### STEP 1



## STEP 2



## STEP 3



**COMPLETE**

