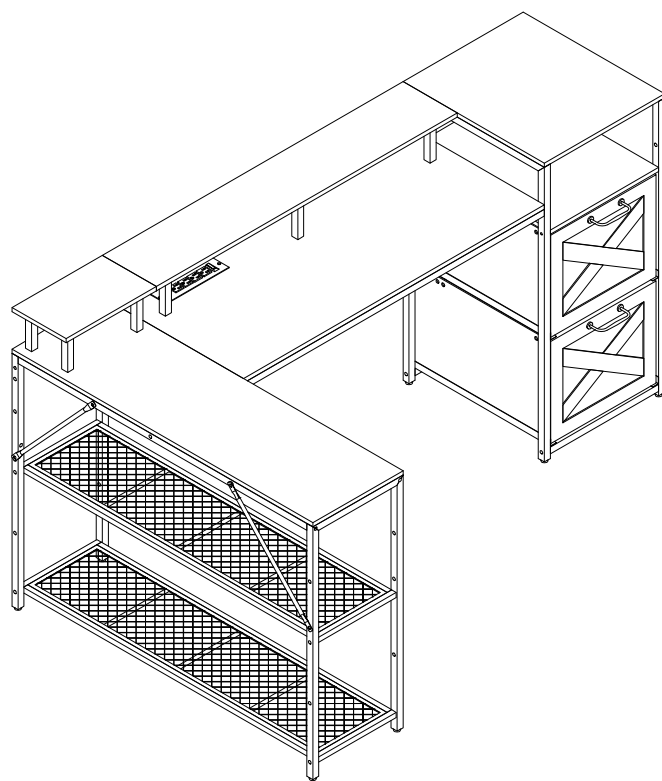
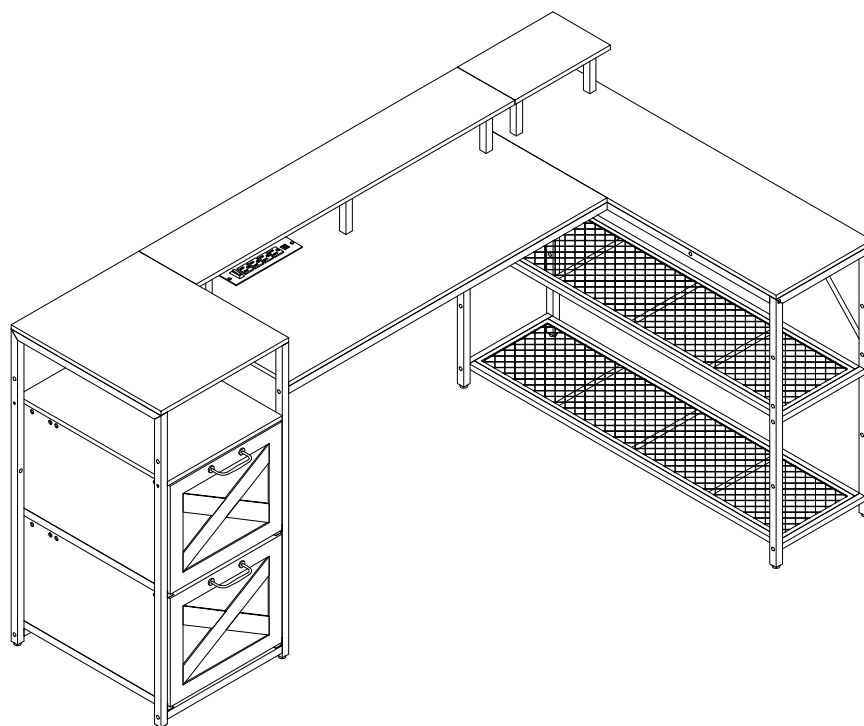


Computer Desk



Installation Option I

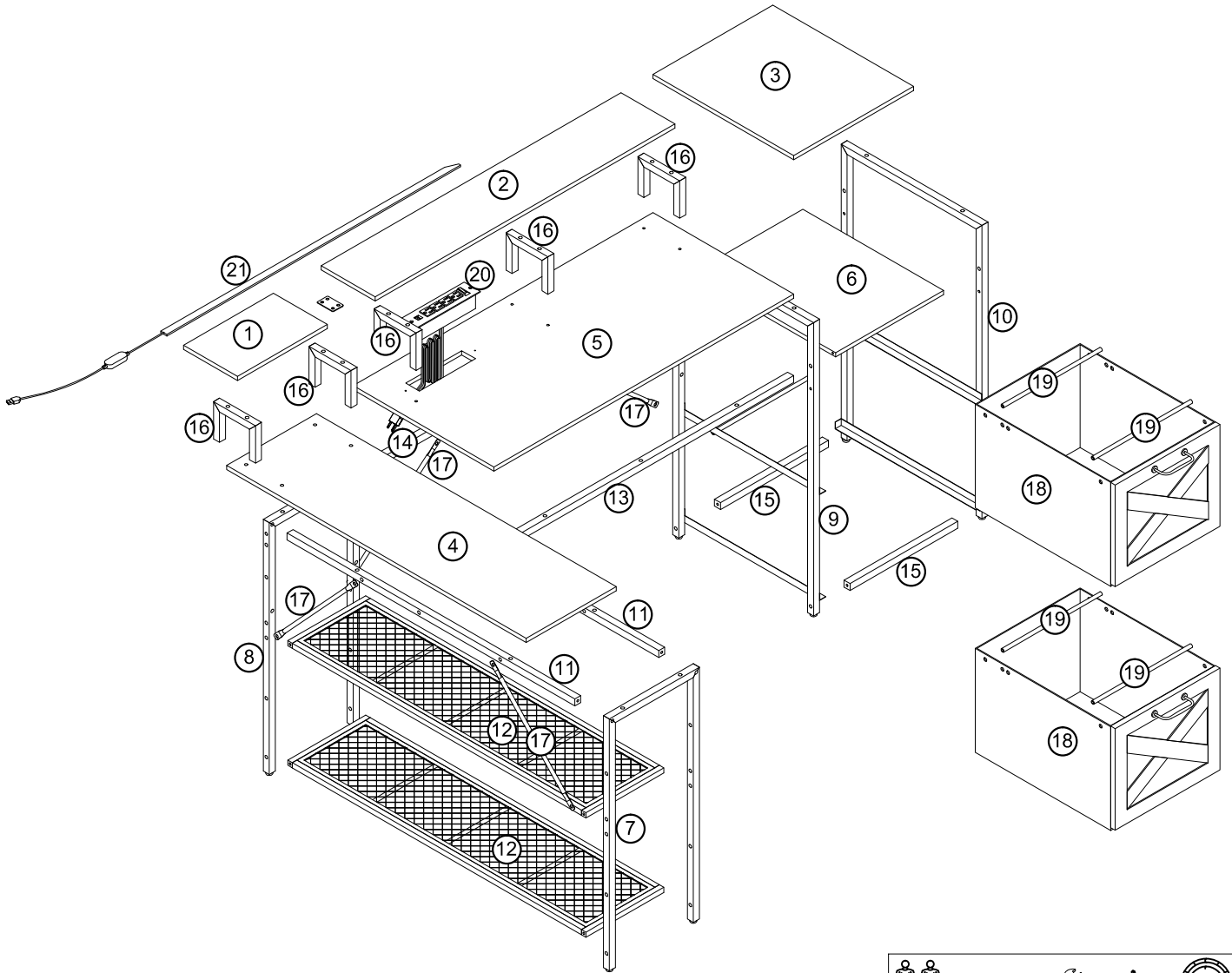


Installation Option II



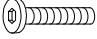
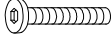
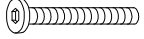
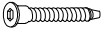





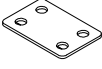


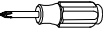



Version :1.0

ASSEMBLY INSTRUCTION

GAUTION:When tightening the screws,tighten sequentially.
Do not tighten any screws fully and then towards the next one.

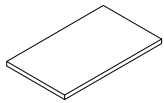


If you have any questions, please contact us
Service Email: sedetahelp@gmail.com

A M6x10mm  X4	B M6x20mm  X8	C M6x25mm  X28+1	D M6x30mm  X20+1	E M6*40mm  X19+1
F ST5*40mm  X4	G ST3.5*10mm  X2	H M6  X10+1	I M6  X8	J M4*20mm  X2  X1 X2
K  X1	L ST3.5*10mm   X1		  X1	 M6  M4 X1

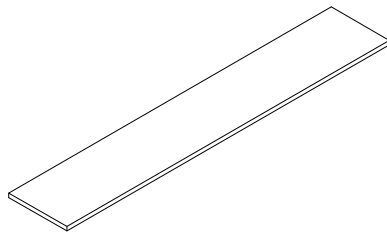
ASSEMBLY INSTRUCTION

①



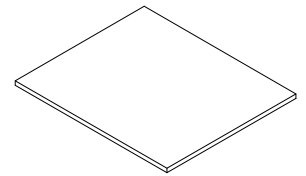
X1

②



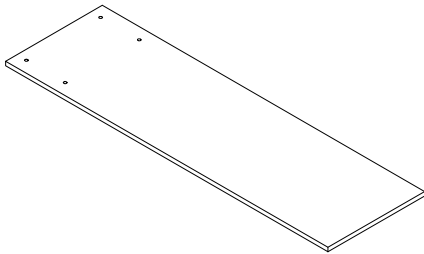
X1

③



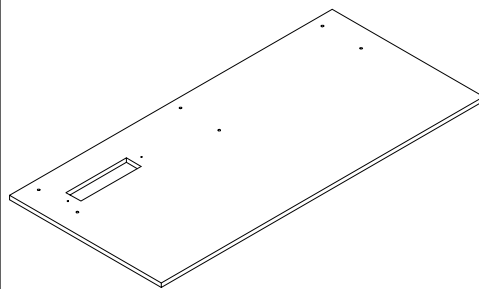
X1

④



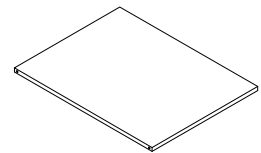
X1

⑤



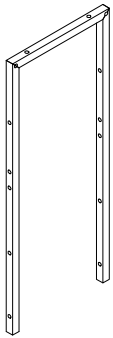
X1

⑥



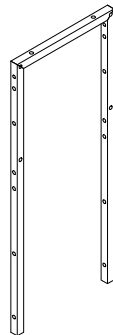
X1

⑦



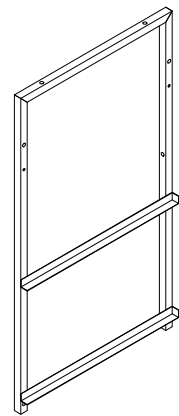
X1

⑧



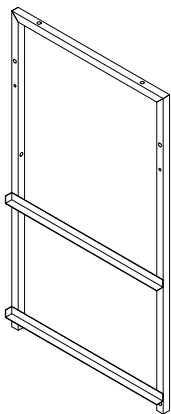
X1

⑨



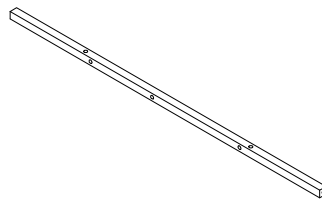
X1

⑩



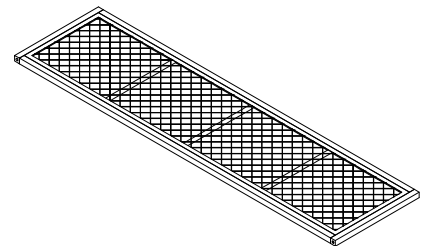
X1

⑪



X2

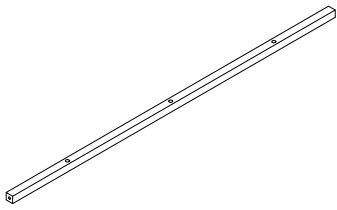
⑫



X2

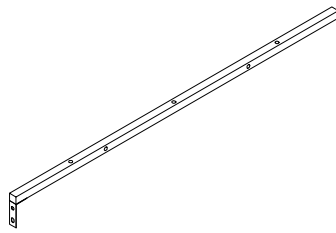
ASSEMBLY INSTRUCTION

13



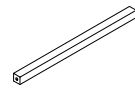
X1

14



X1

15



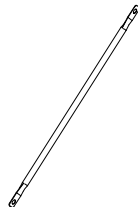
X2

16



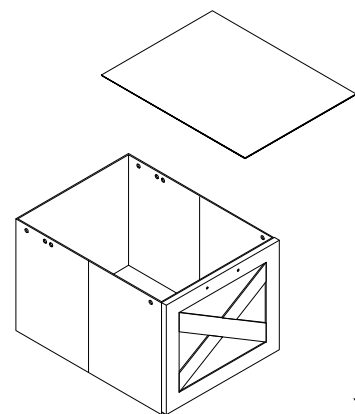
X5

17



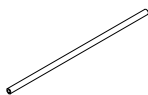
X4

18



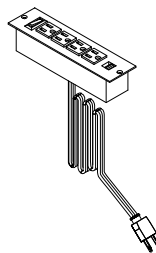
X2

19



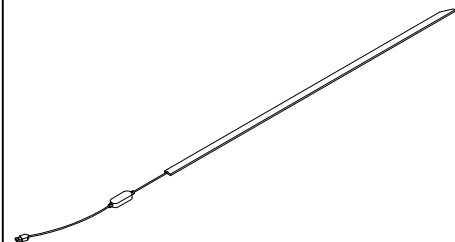
X4

20



X1

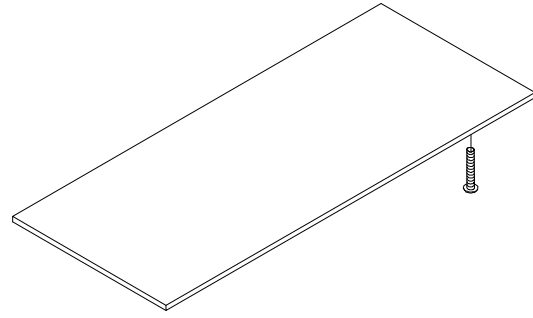
21



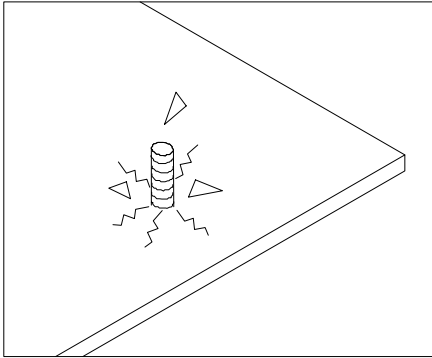
X1

ASSEMBLY INSTRUCTION

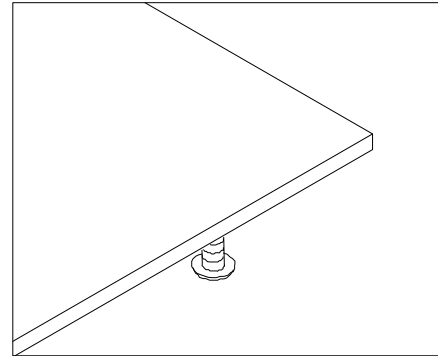
1. Matters needing attention



Be sure to use the proper screws to avoid damaging the parts

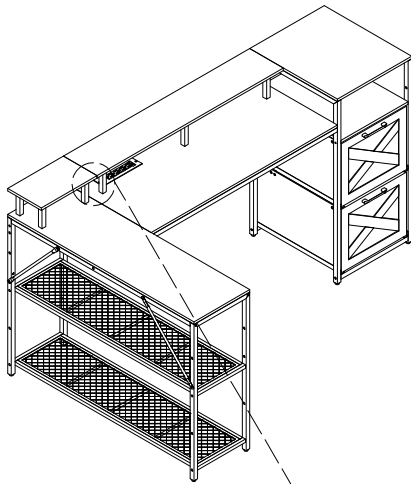


Wrong screws can cause the plank to crack

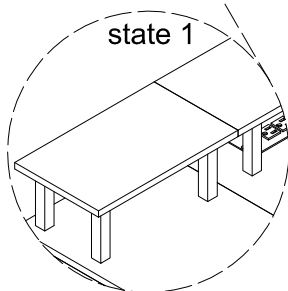


The right screw is the right size

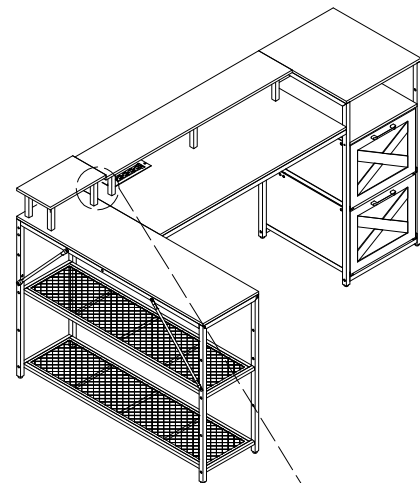
2. Matters needing attention



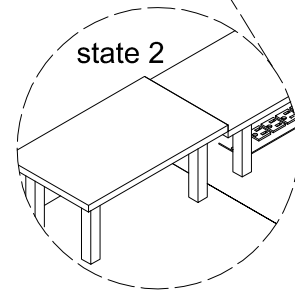
perfect



state 1



Flawed



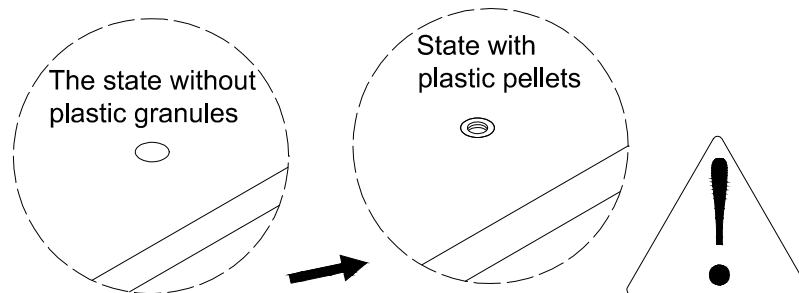
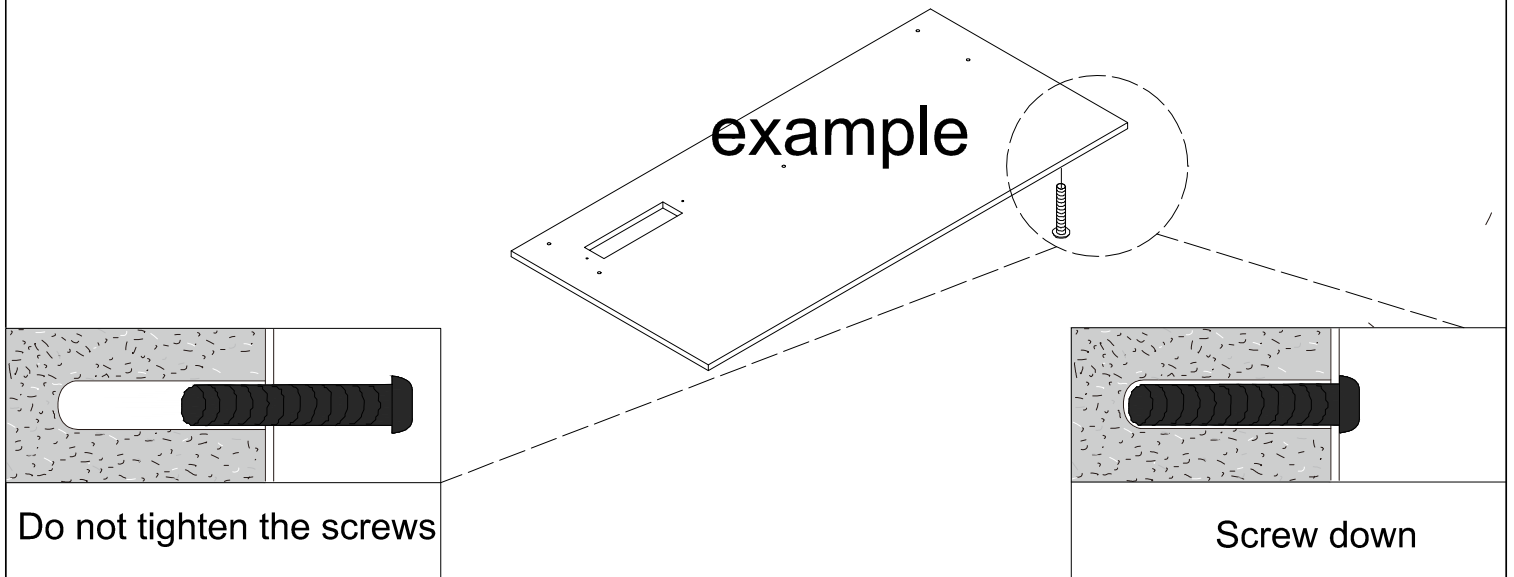
state 2

If you encounter "state 2" during the installation process, please loosen the corresponding screws of each part in time, adjust slowly, and then slowly tighten all the screws after the adjustment is completed.

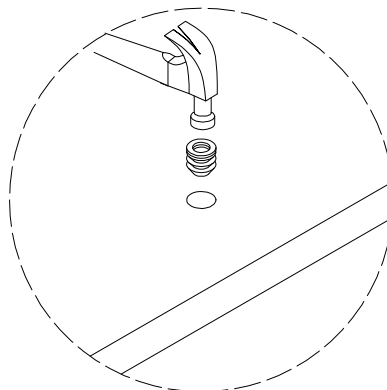
ASSEMBLY INSTRUCTION

Matters needing attention

- (1) When installing the screws in the installation step, the screws do not need to be tightened. After this installation step is confirmed and the holes are aligned, then tighten all the screws.
- (2) If the screws are tightened during the installation process, it will cause problems such as misalignment of the screw holes and misalignment of the board in subsequent installations.



Note that if you find that there are no plastic granules on the wooden block, the table cannot be assembled, please don't worry, please use the spare plastic granules in the screw bag



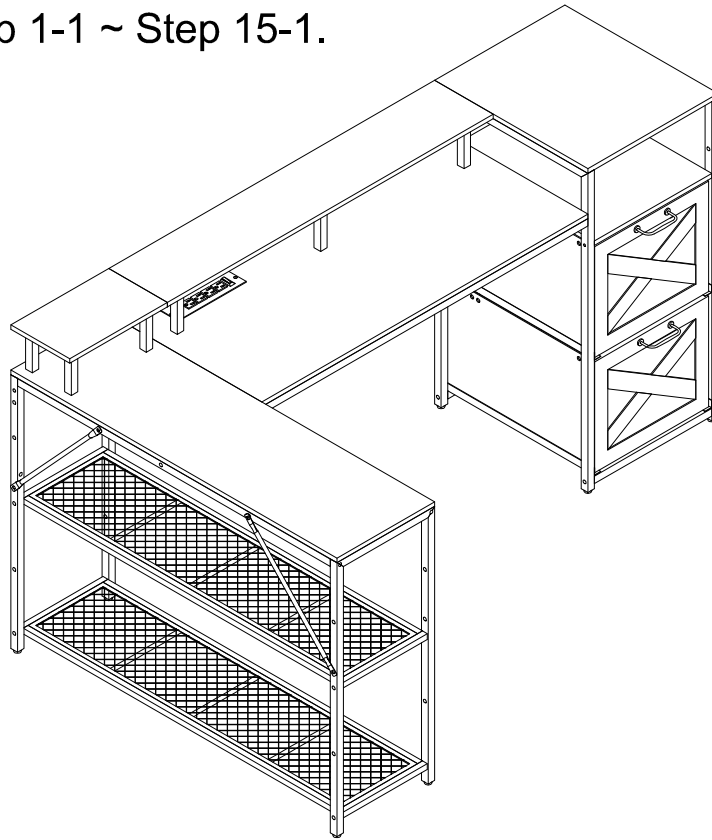
Note, please use a tool to carefully align the plastic pellets with the holes and then knock them down

ASSEMBLY INSTRUCTION

There are 2 ways to install this table, each with different steps.
Please choose one type and follow its unique assembly method.

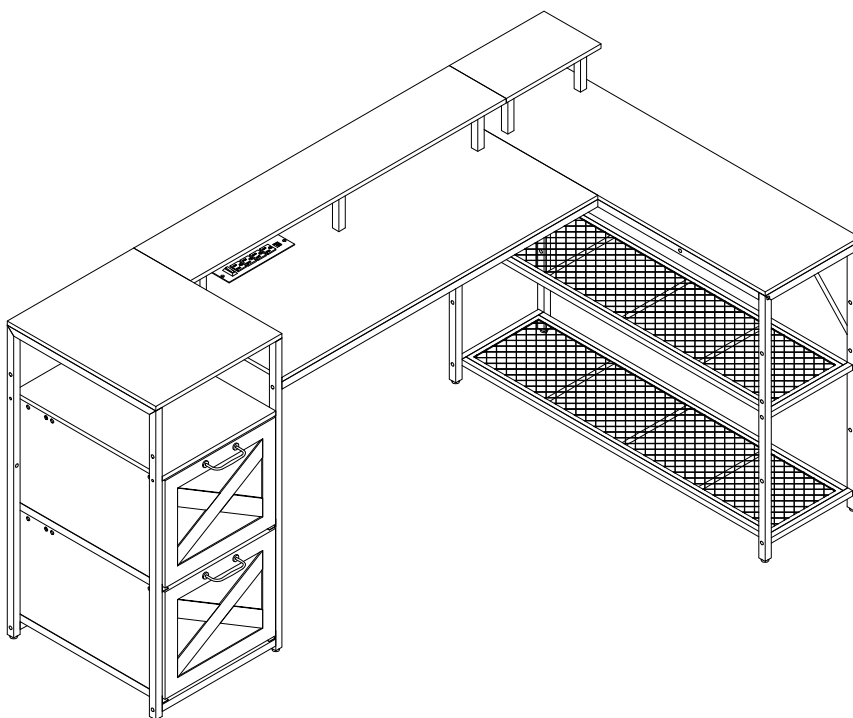
Type 1:

Please refer to Step 1-1 ~ Step 15-1.



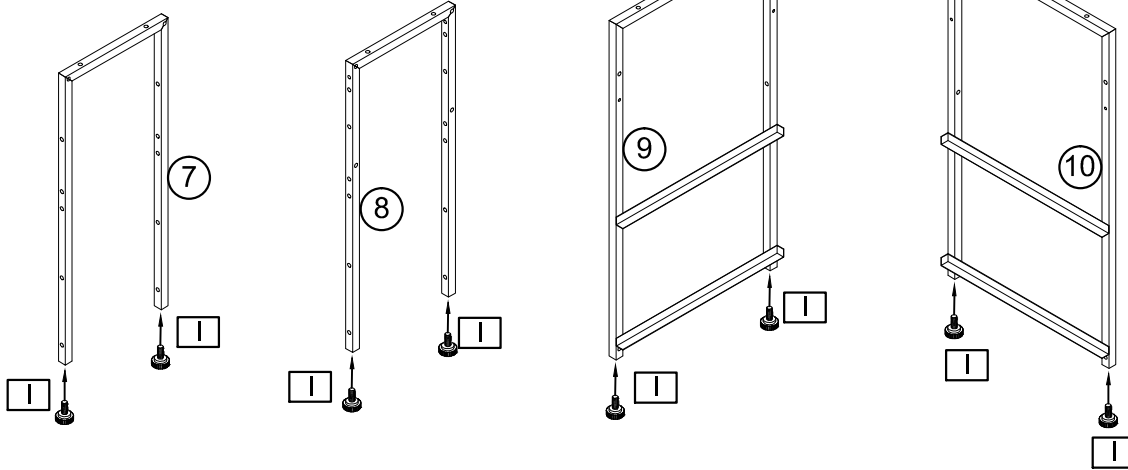
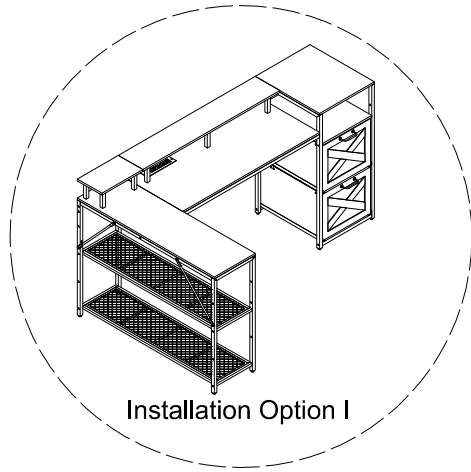
Type 2:

Please refer to Step 1-2 ~ Step 15-2.

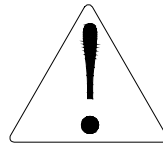


ASSEMBLY INSTRUCTION

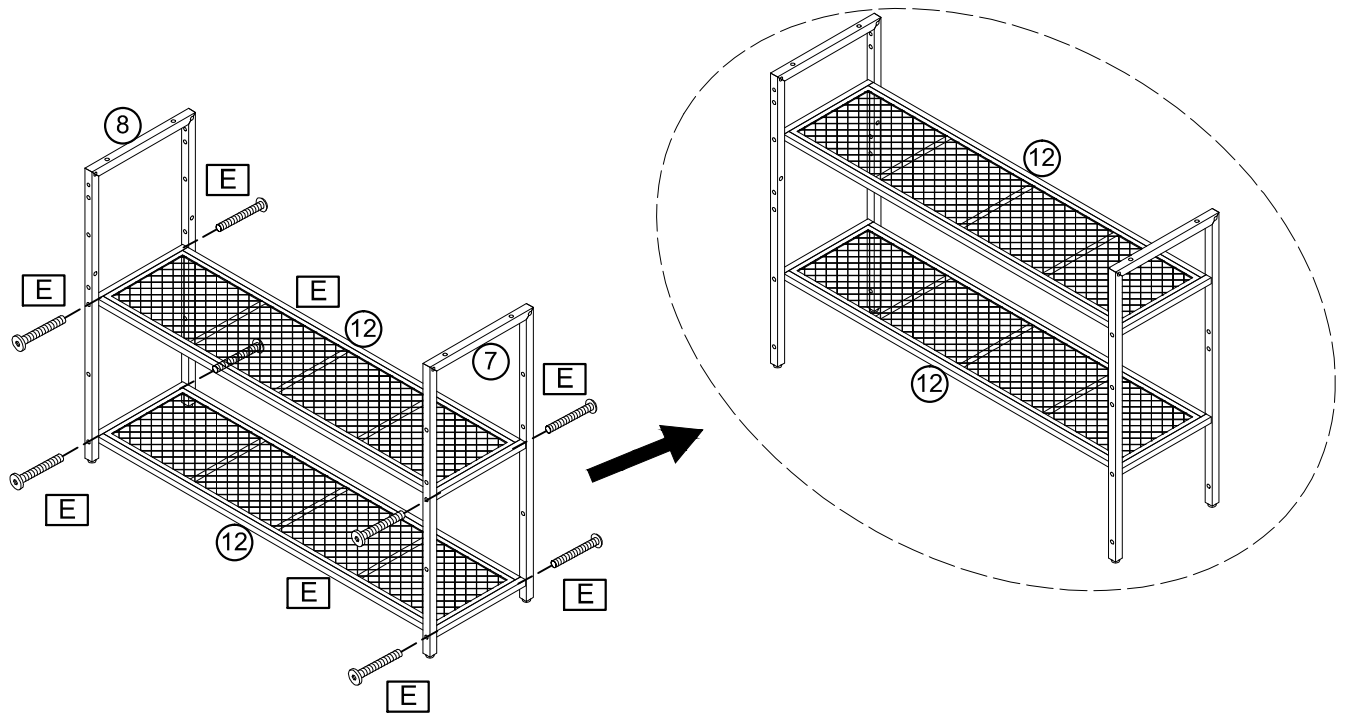
STEP 1-1



STEP 2-1

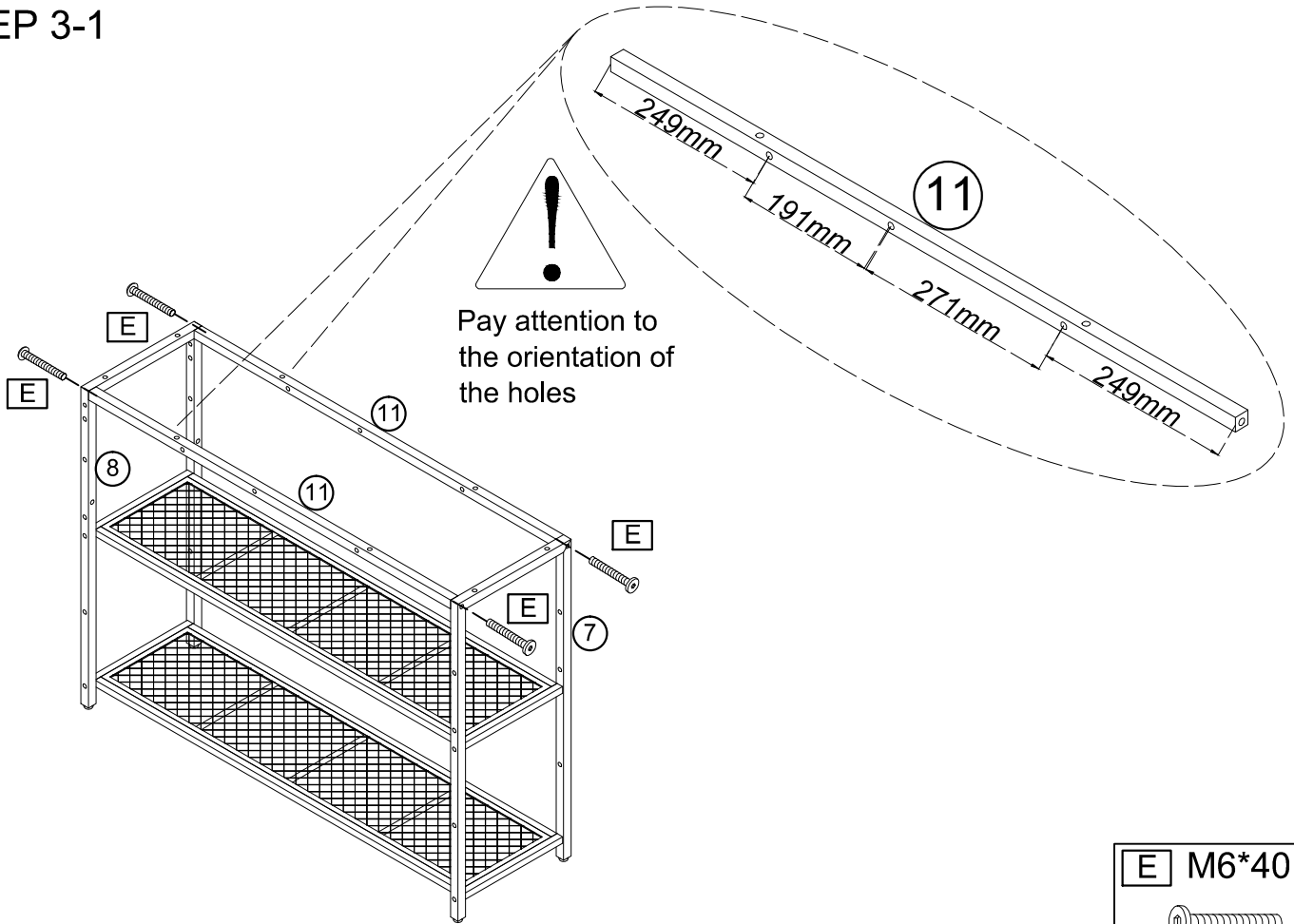


Note that the No. 12 mesh can be freely adjusted according to the desired height.

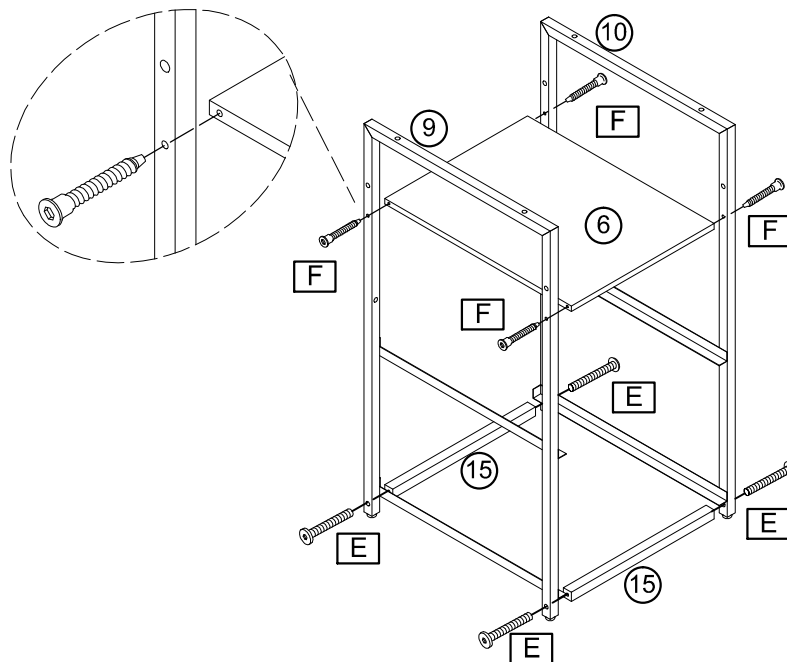


ASSEMBLY INSTRUCTION

STEP 3-1

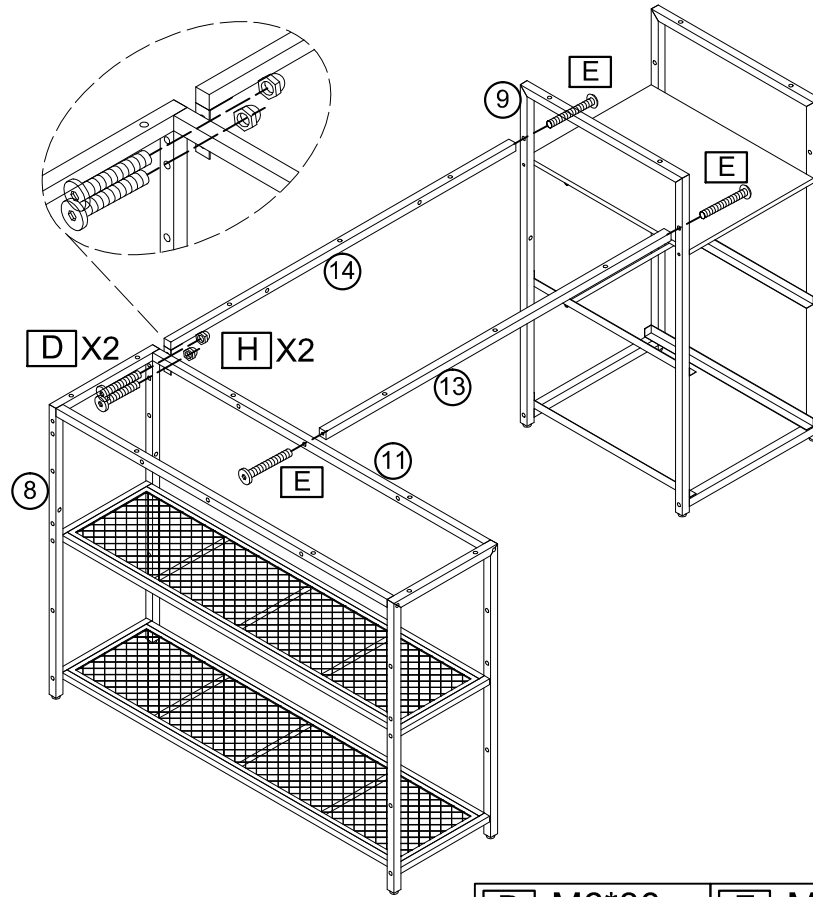



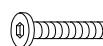

STEP 4-1



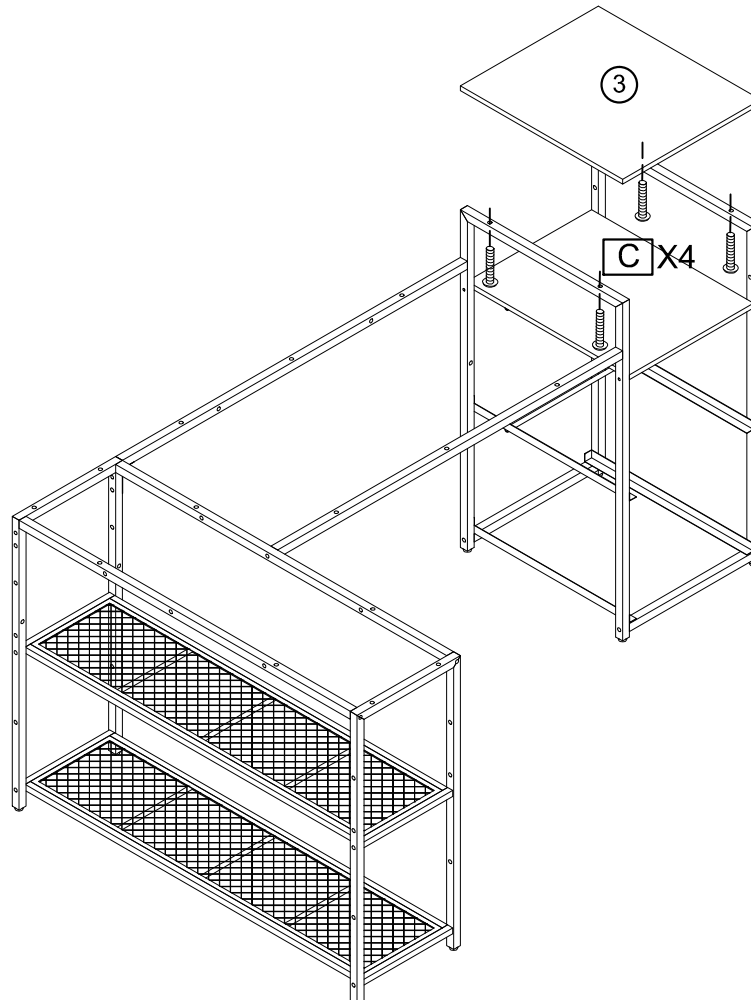
ASSEMBLY INSTRUCTION

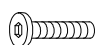
STEP 5-1



D M6*30  X2	E M6*40  X3	H M6  X2
--	--	---

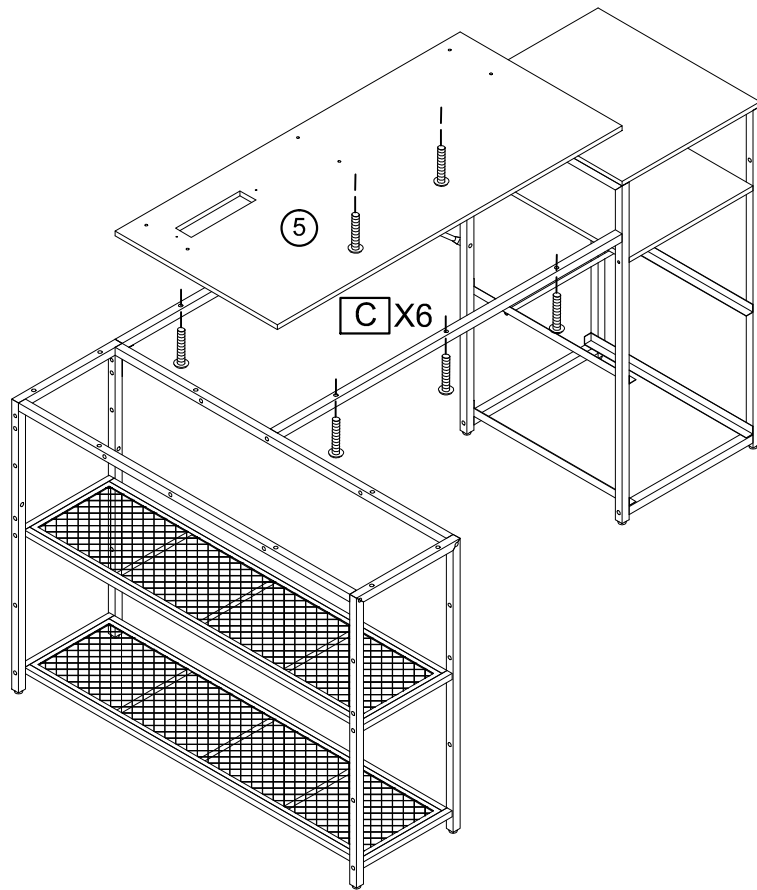
STEP 6-1



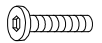
C M6*25  X4
--

ASSEMBLY INSTRUCTION

STEP 7-1

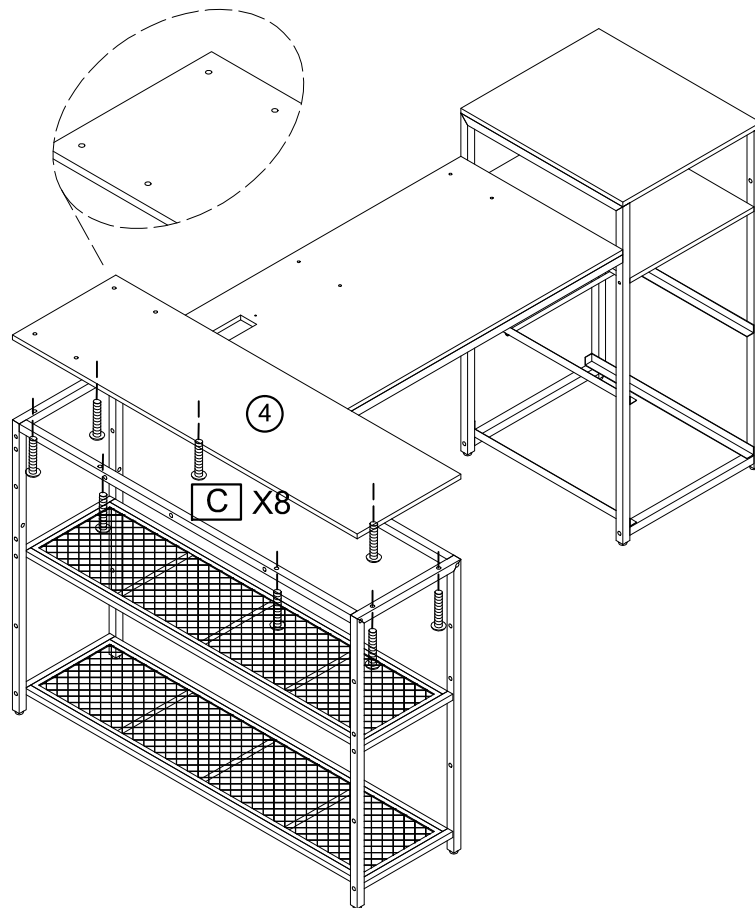


C M6*25

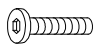


X6

STEP 8-1



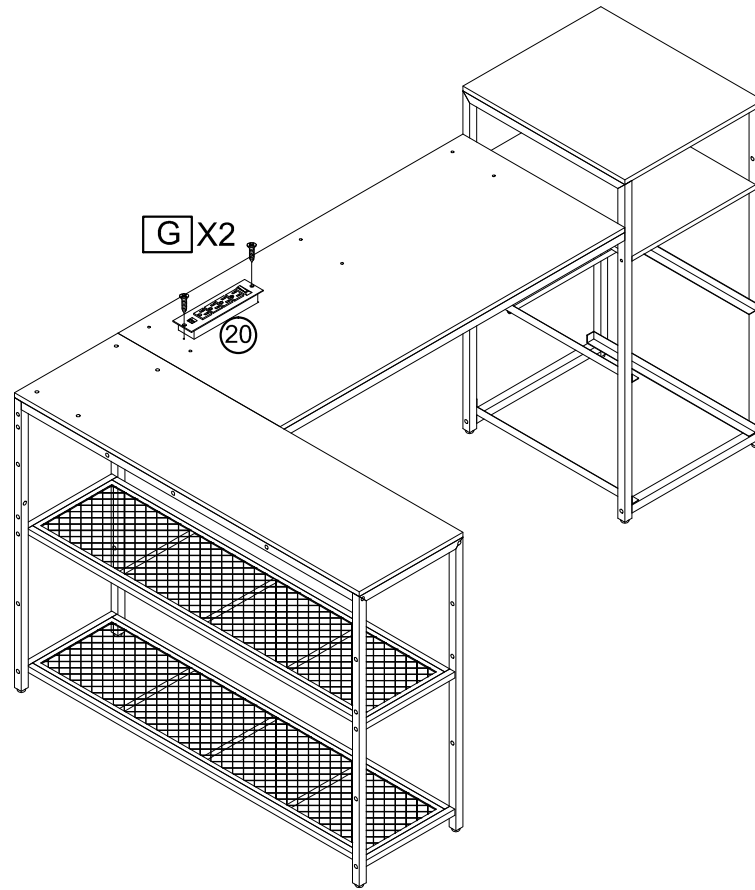
C M6*25




X8

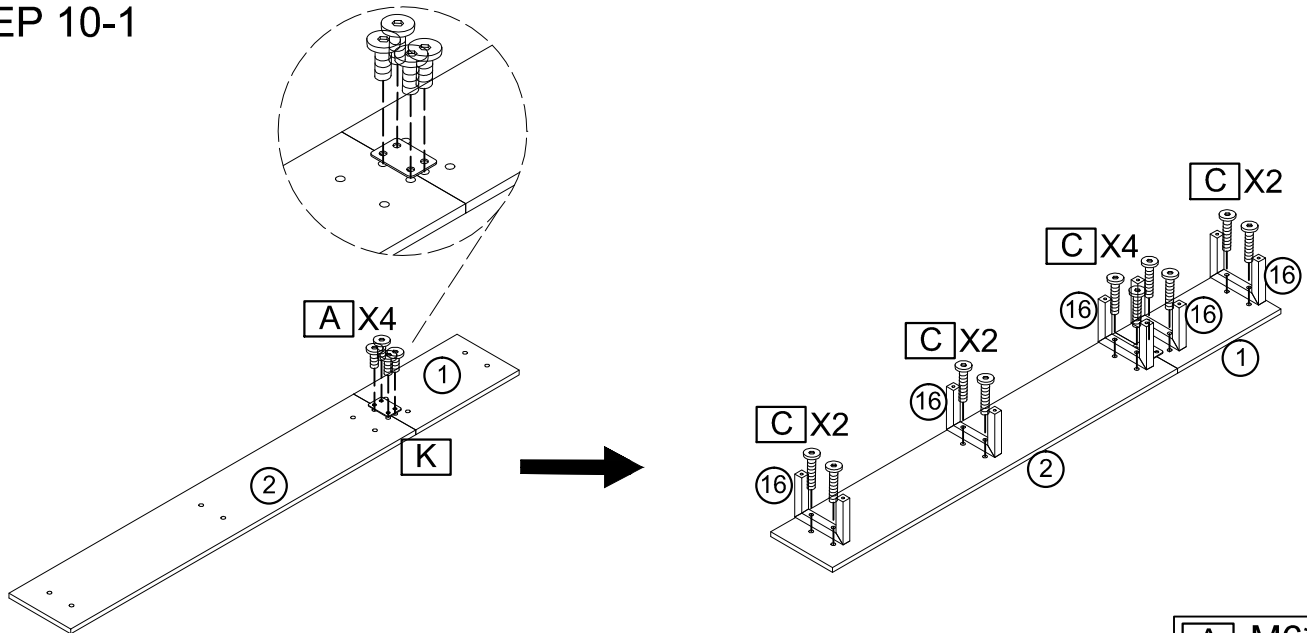
ASSEMBLY INSTRUCTION

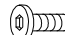
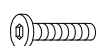
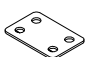
STEP 9-1



G	ST3.5*10
	X2

STEP 10-1

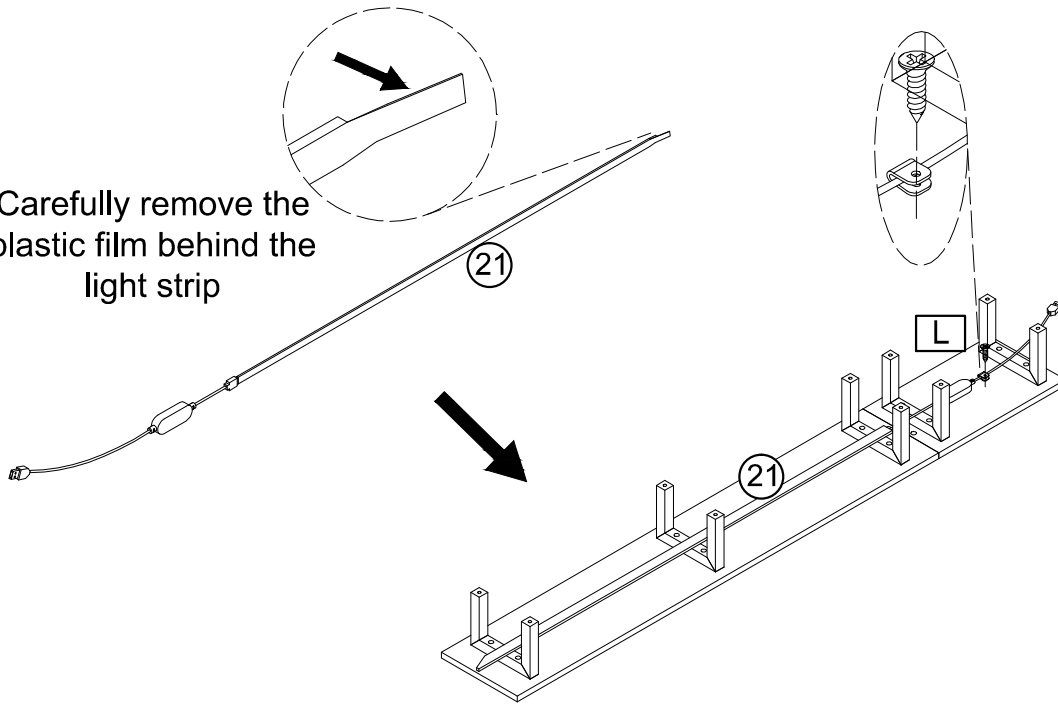


A	M6*10
	X4
C	M6*25
	X10
K	
	X1

ASSEMBLY INSTRUCTION

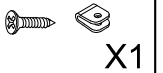
STEP 11-1

Carefully remove the plastic film behind the light strip



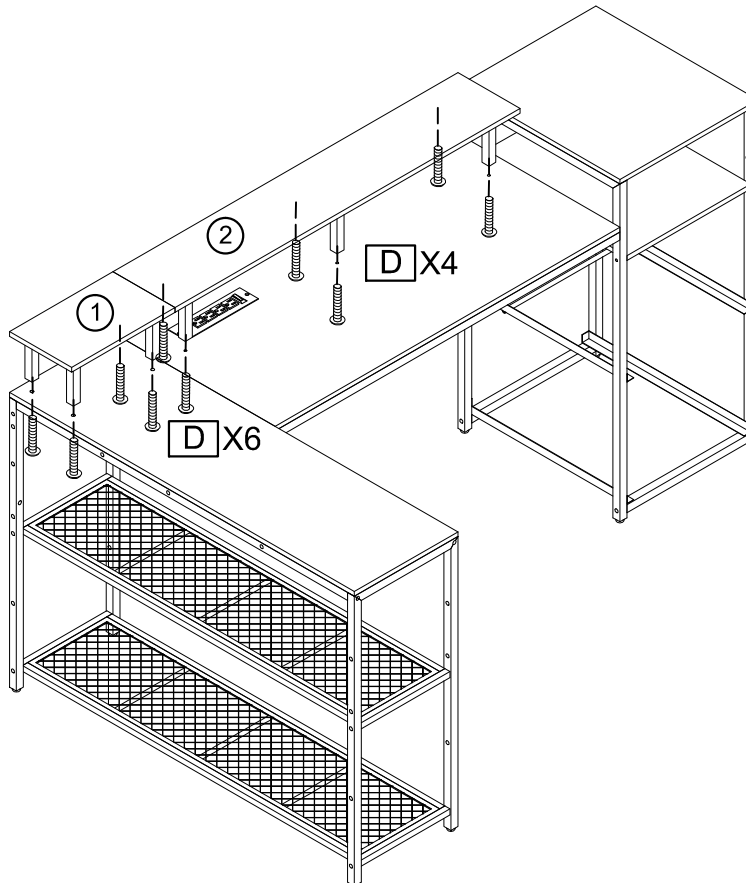
The light strip can be pasted to the desired position according to your own needs

L ST3.5*10



X1

STEP 12-1



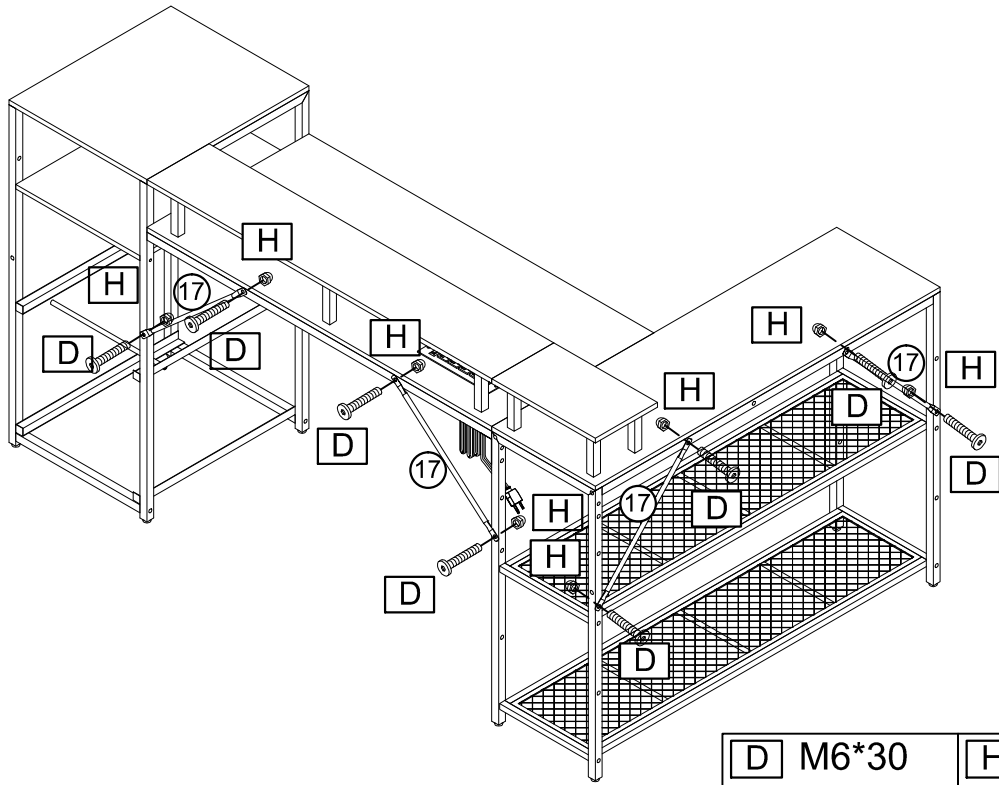
D M6*30

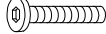



X10

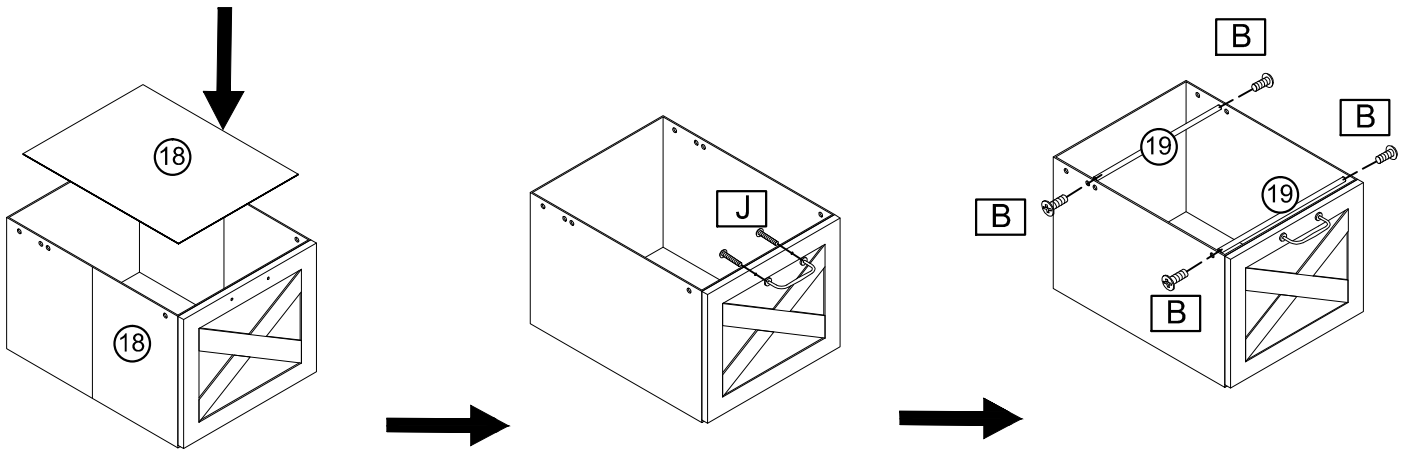
ASSEMBLY INSTRUCTION

STEP 13-1

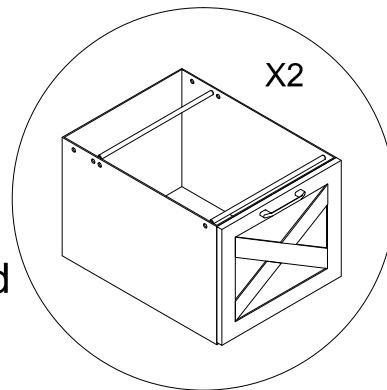



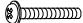

D M6*30 	H M6 
X8	X8

STEP 14-1



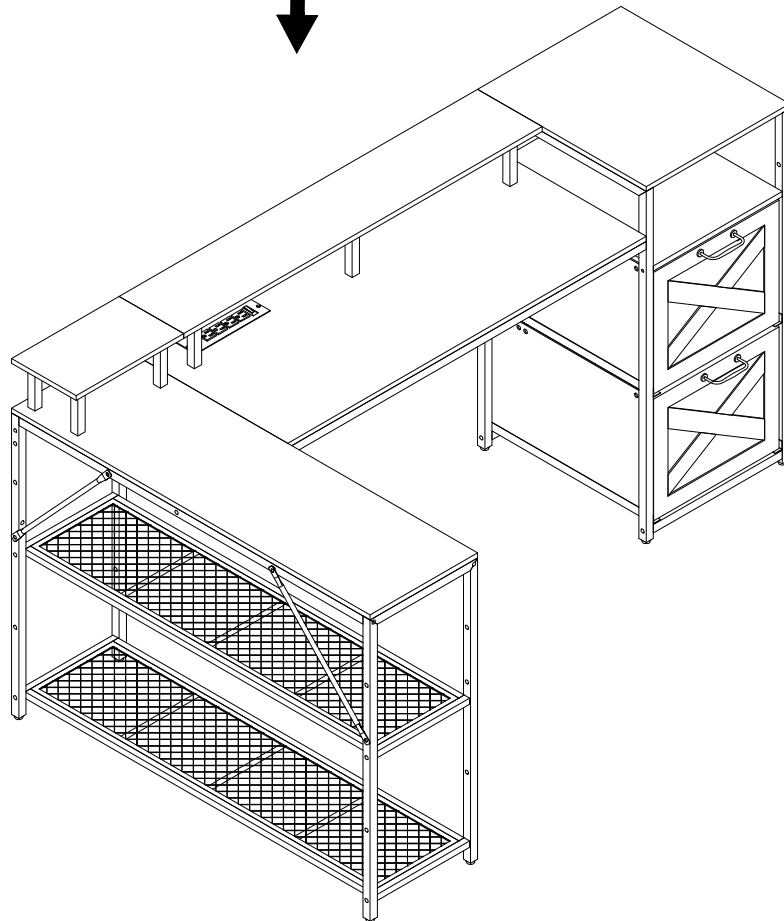
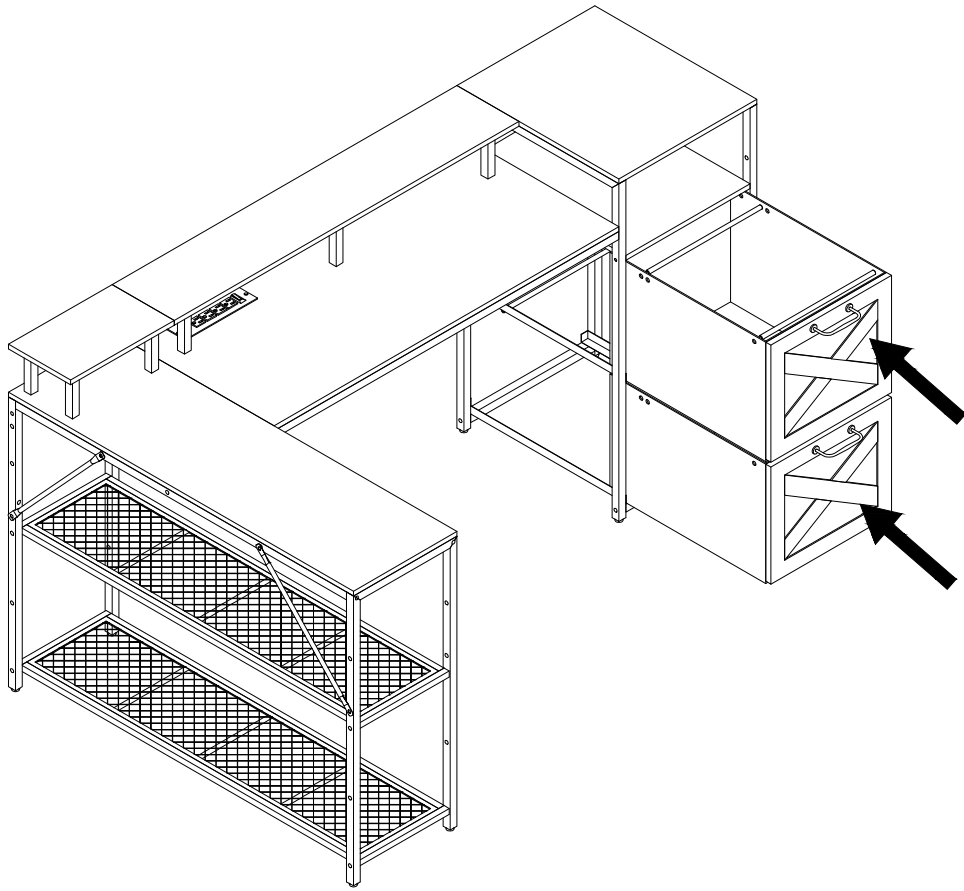
Note that the two drawers are assembled in the same way.



B M6*20 	X8
J M4*20  	X2

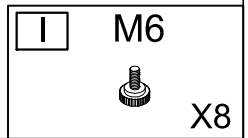
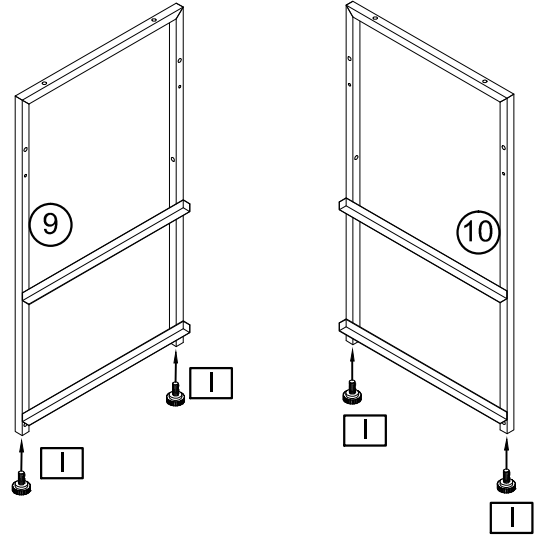
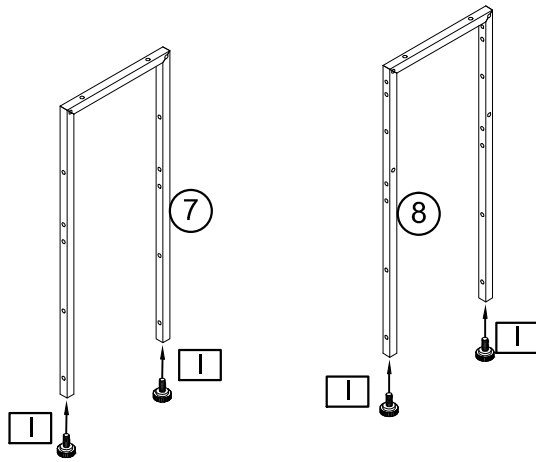
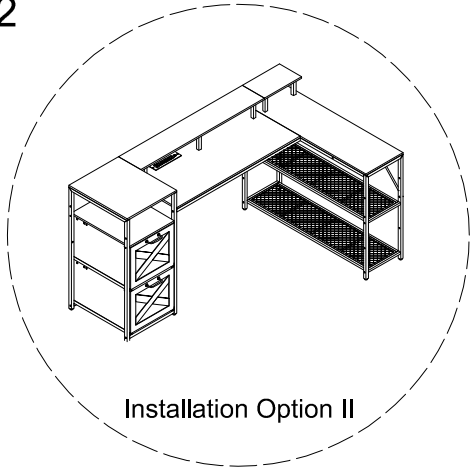
ASSEMBLY INSTRUCTION

STEP 15-1

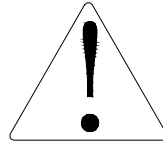


ASSEMBLY INSTRUCTION

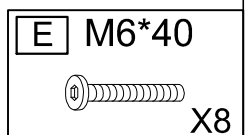
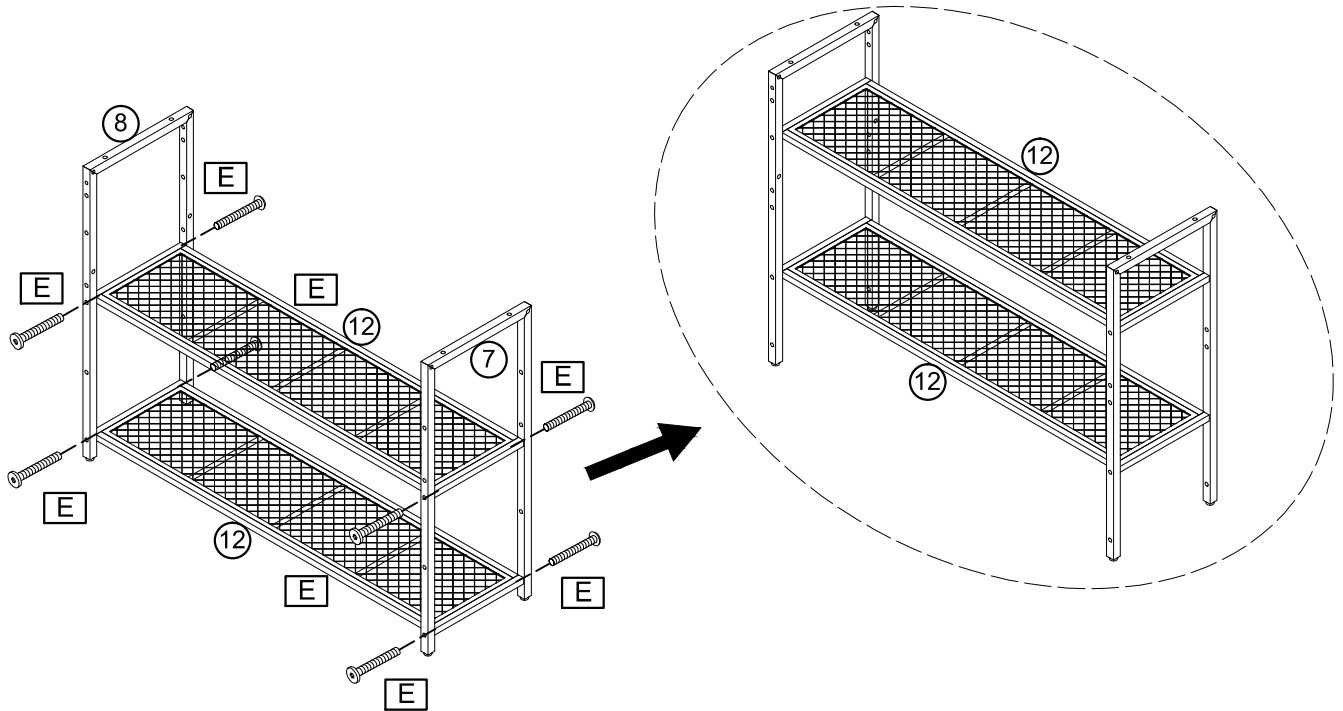
STEP 1-2



STEP 2-2

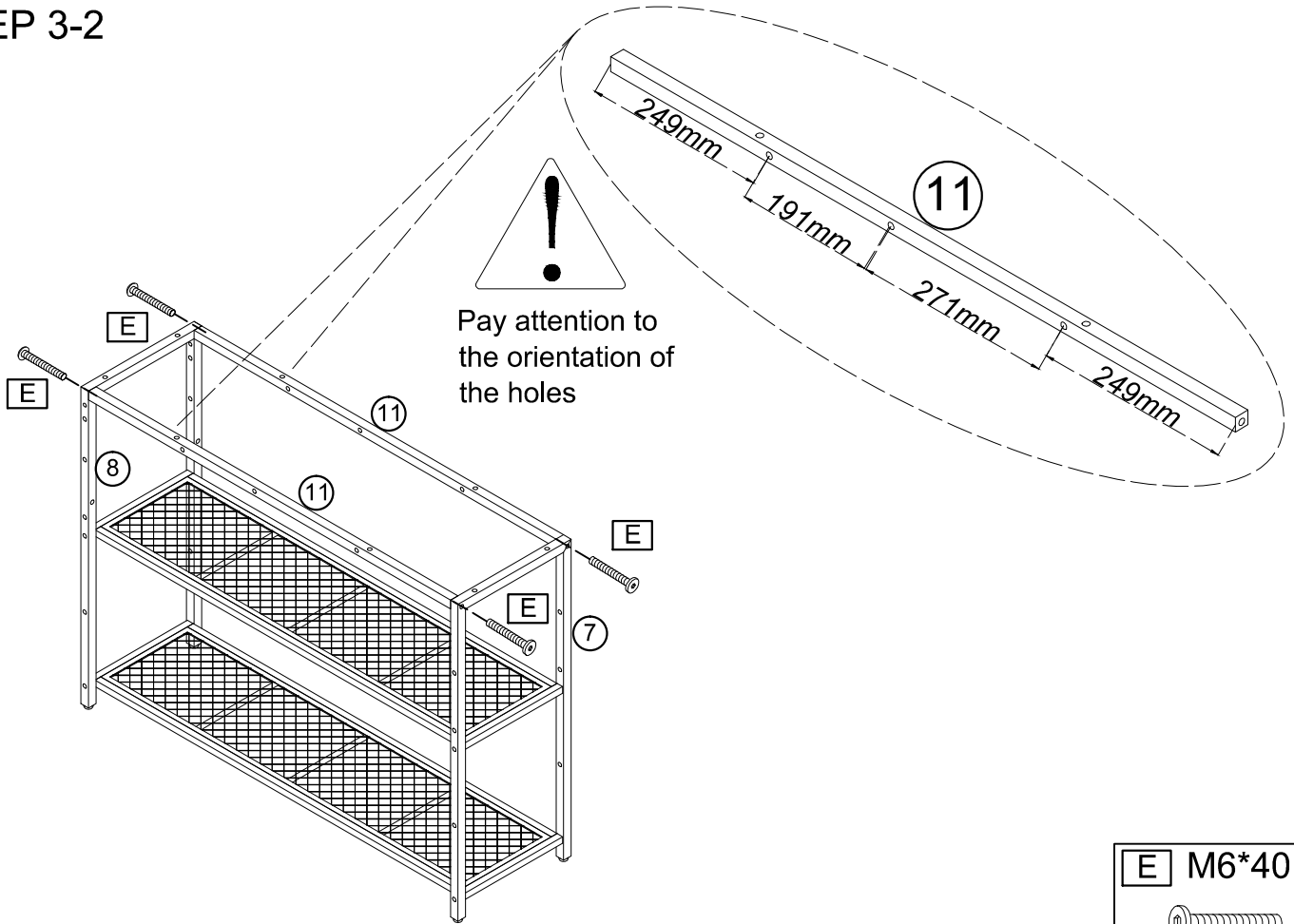


Note that the No. 12 mesh can be freely adjusted according to the desired height.

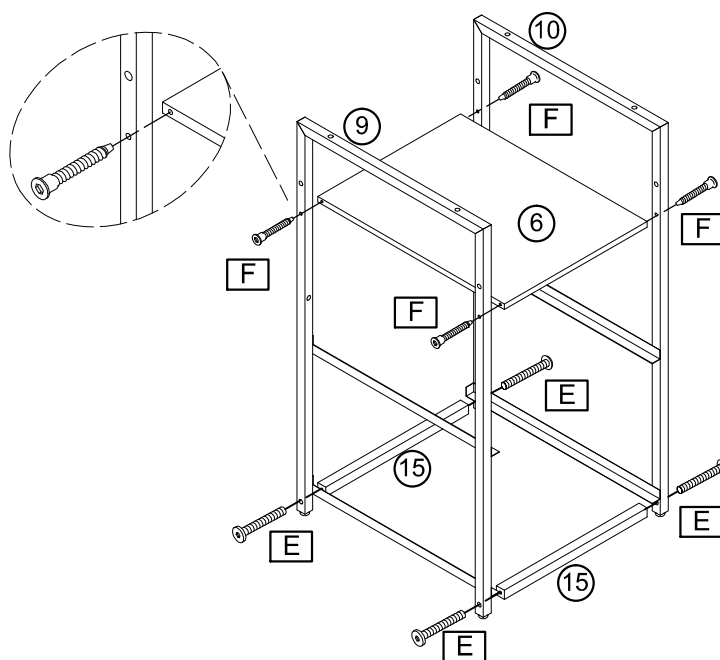


ASSEMBLY INSTRUCTION

STEP 3-2

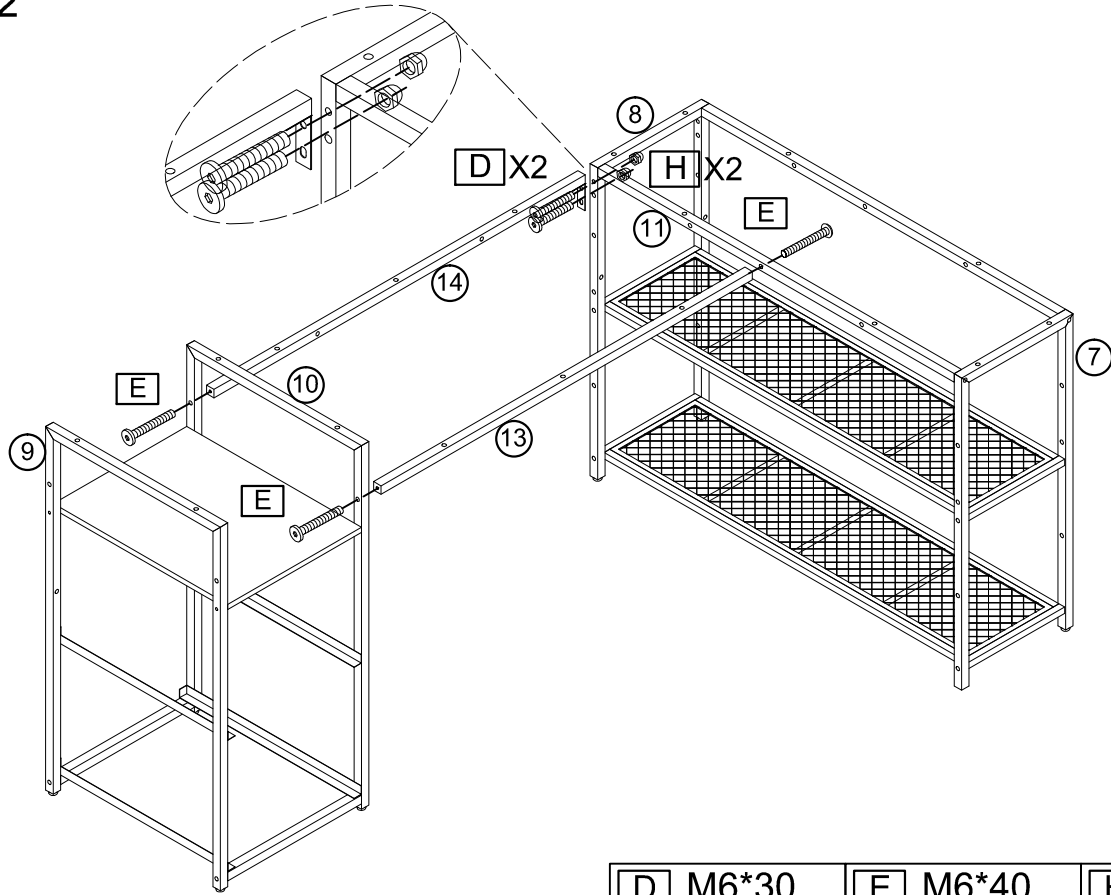


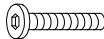


STEP 4-2



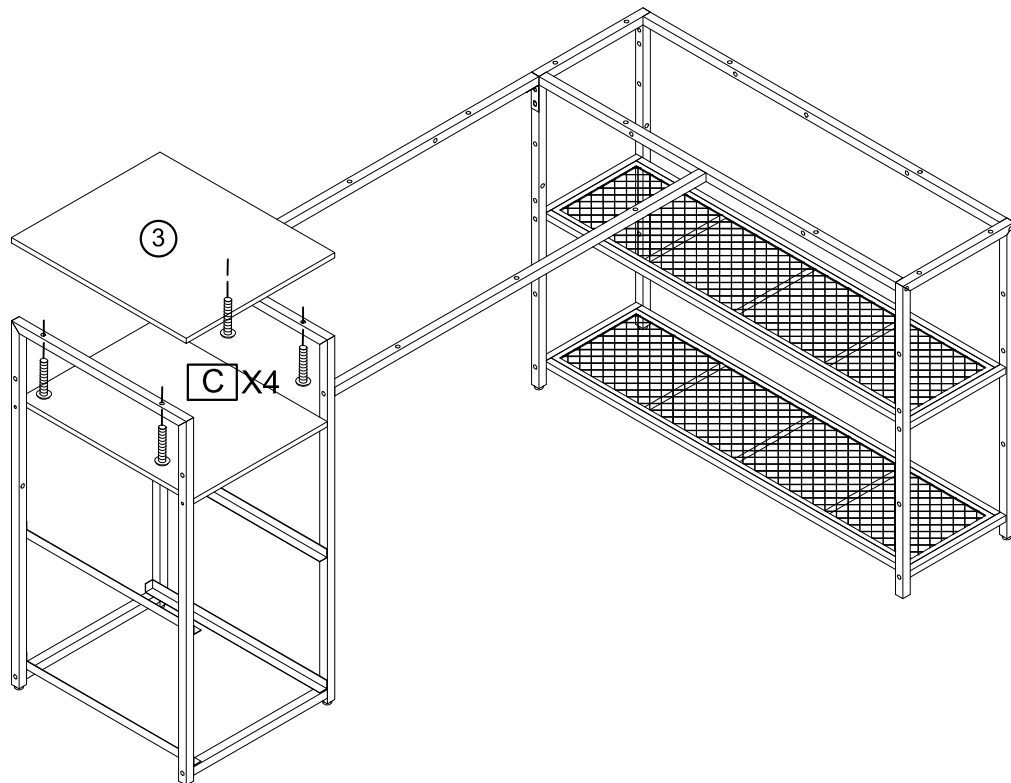
ASSEMBLY INSTRUCTION

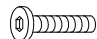
STEP 5-2



D M6*30  X2	E M6*40  X3	H M6  X2
--	--	---

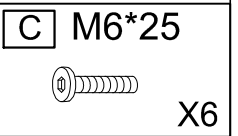
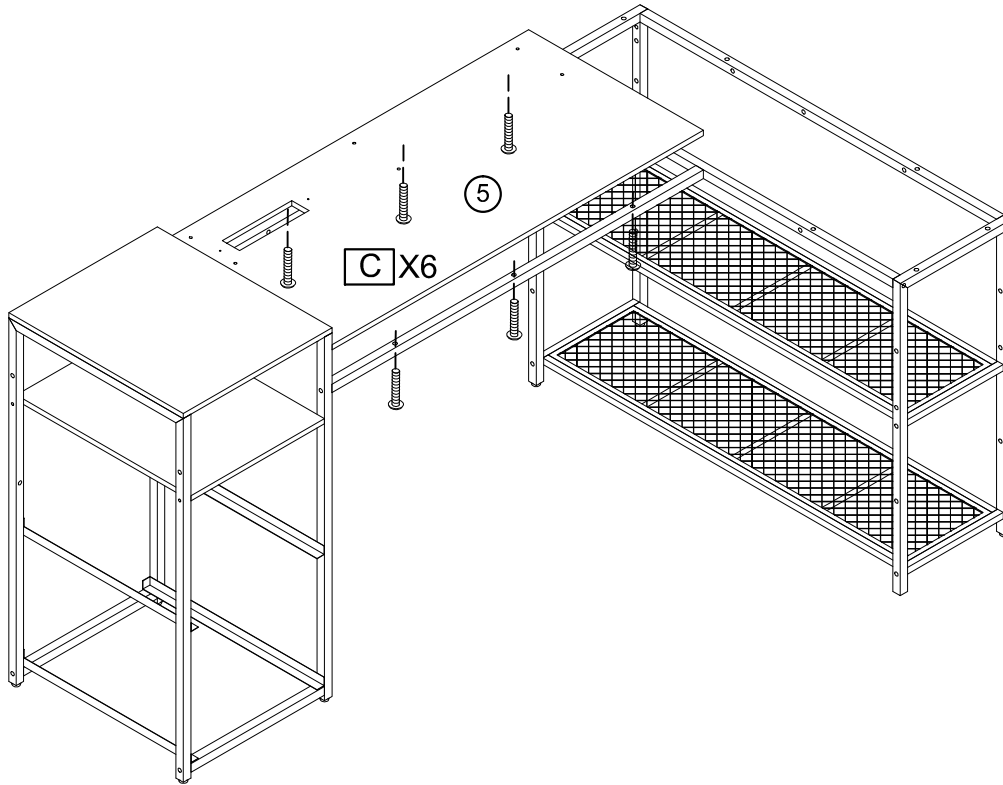
STEP 6-2



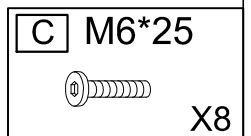
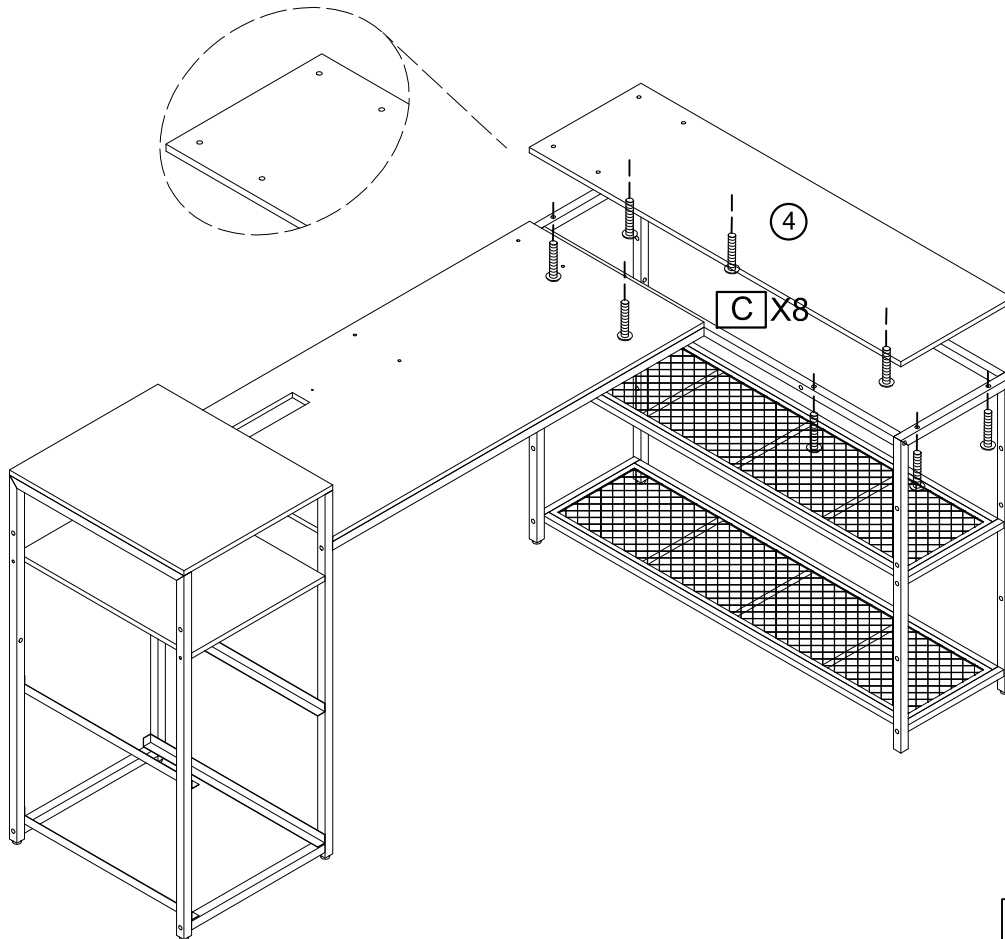
C M6*25  X4
--

ASSEMBLY INSTRUCTION

STEP 7-2

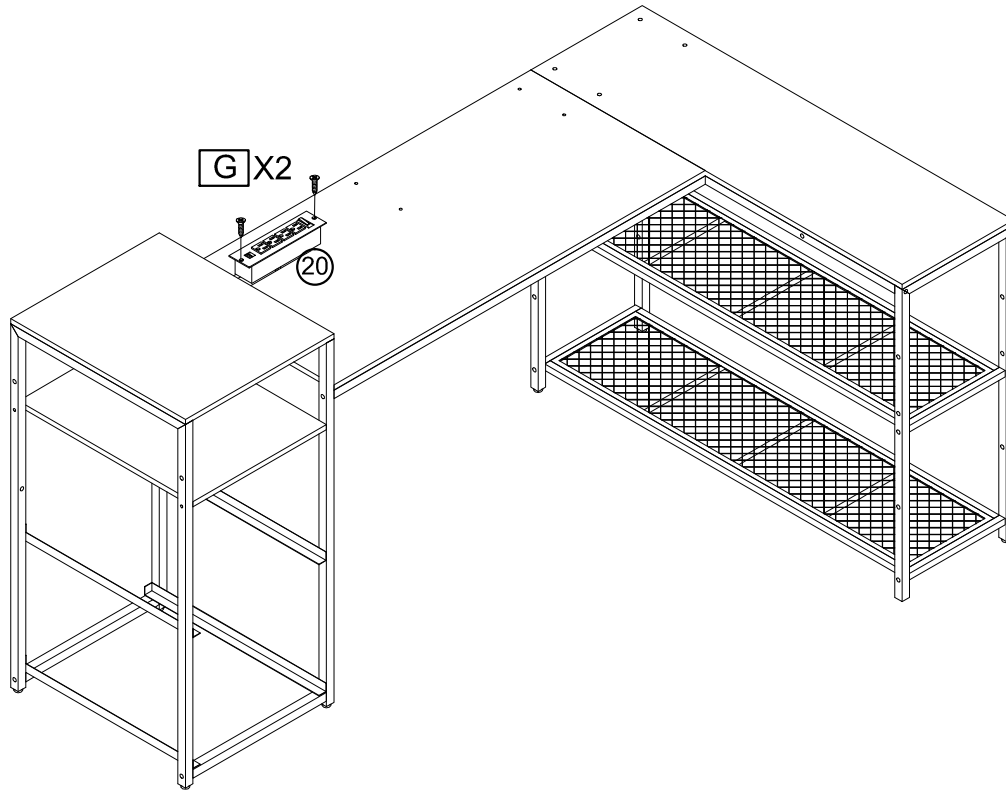



STEP 8-2



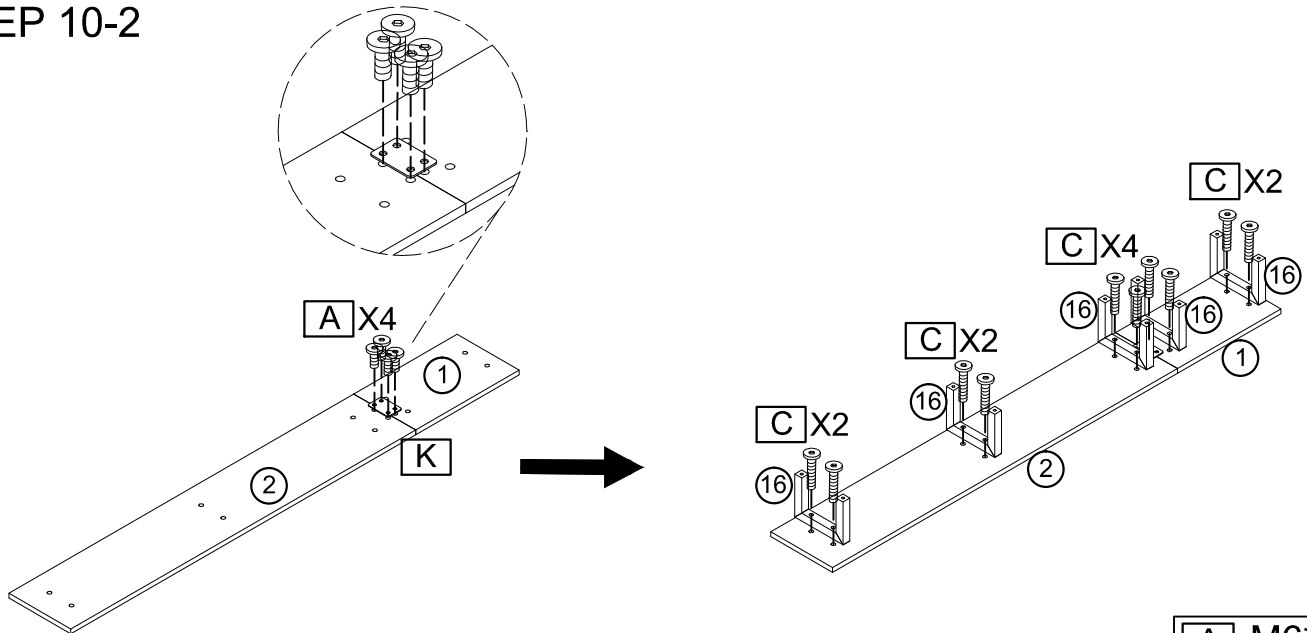
ASSEMBLY INSTRUCTION

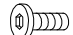
STEP 9-2

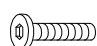


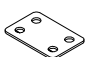
G ST3.5*10

 X2

STEP 10-2



A M6*10

 X4

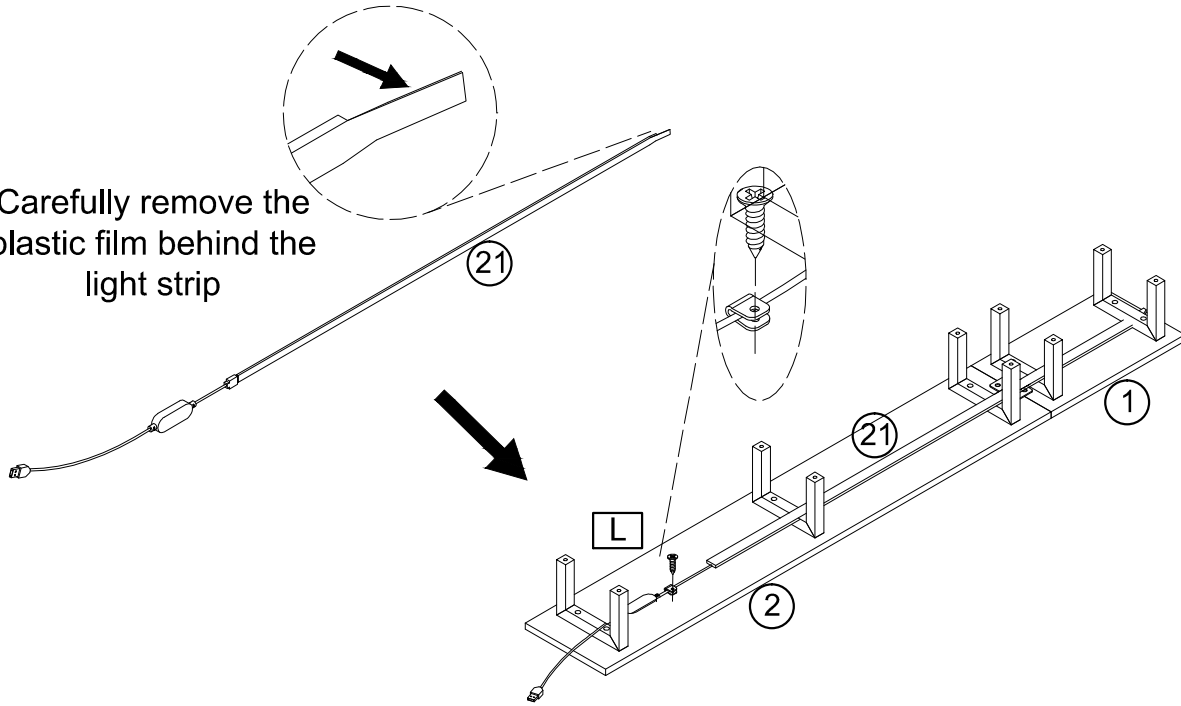
C M6*25

 X10

K

 X1

ASSEMBLY INSTRUCTION

STEP 11-2

Carefully remove the plastic film behind the light strip



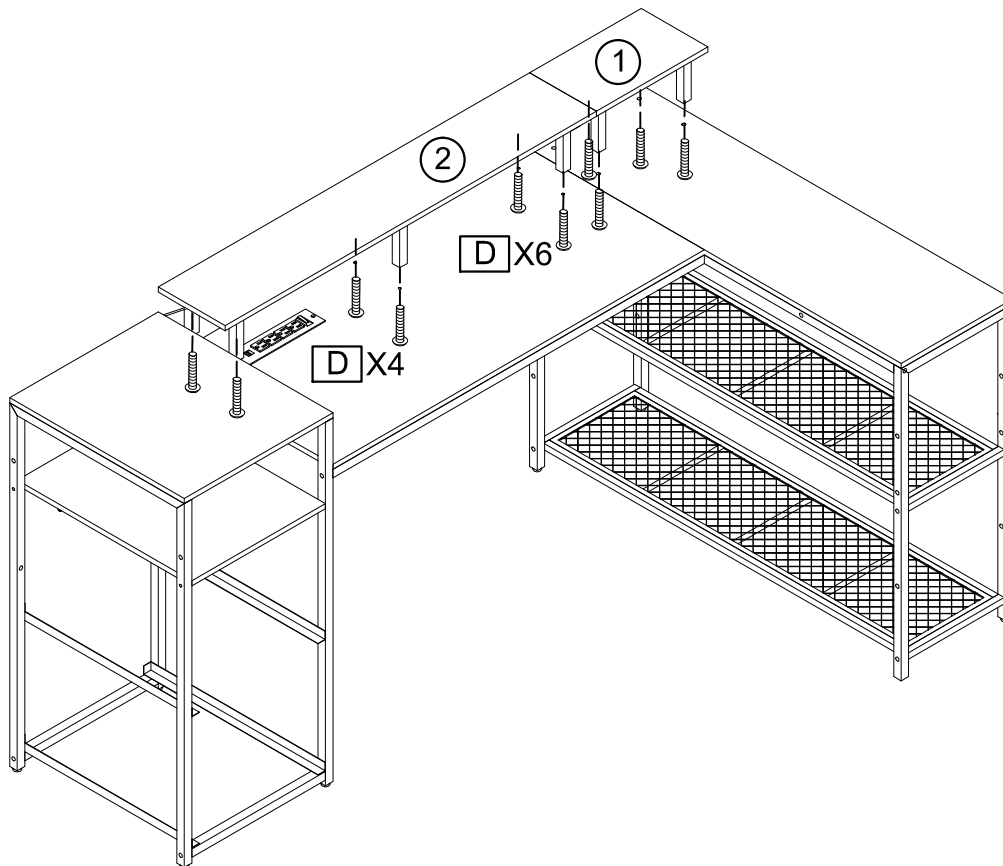
The light strip can be pasted to the desired position according to your own needs

L ST3.5*10



X1

STEP 12-2



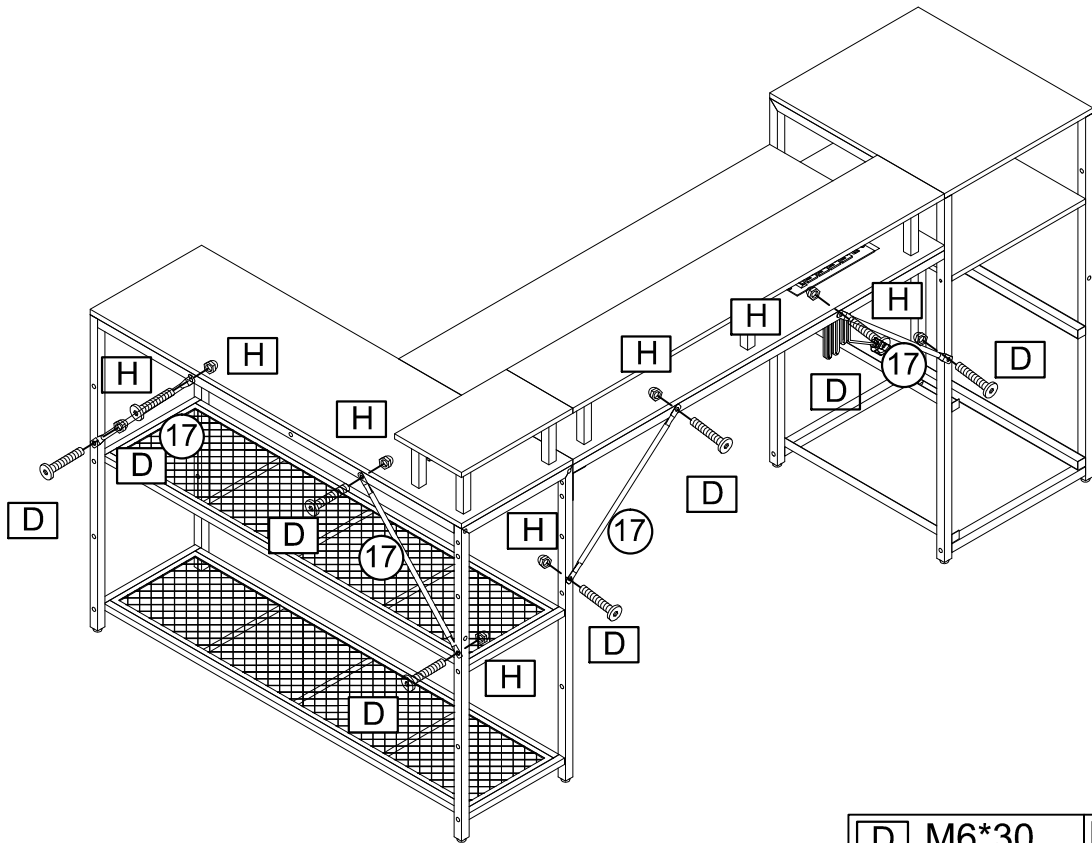
D M6*30

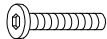



X10

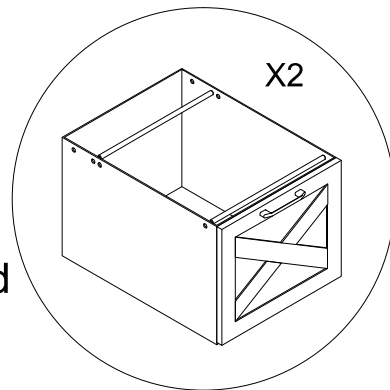
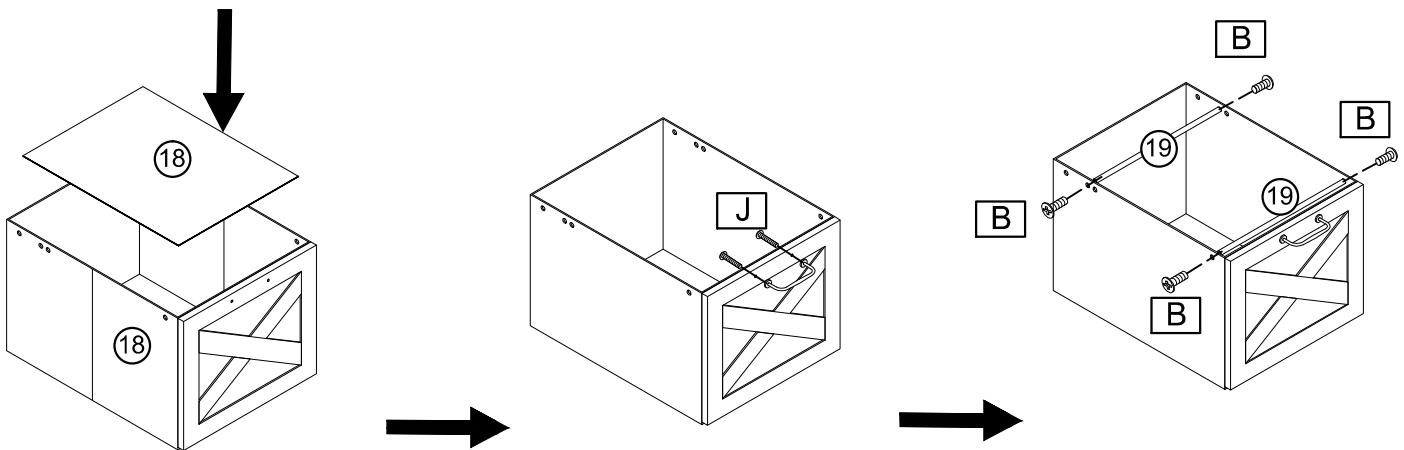
ASSEMBLY INSTRUCTION

STEP 13-2


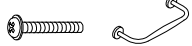


D M6*30 	H M6 
X8	X8

STEP 14-2



Note that the two drawers are assembled in the same way.

B M6*20 	X8
J M4*20 	X2

ASSEMBLY INSTRUCTION

STEP 15-2

