

**Jay-Be® UK**

☎ +44 (0) 1924 66 66 33

✉ [service@jaybe.com](mailto:service@jaybe.com)



Mon to Thurs  
9am - 5pm (Fri 4pm)

**Jay-Be® USA**

☎ (800) 779-2650

✉ [care@jaybe.com](mailto:care@jaybe.com)



Mon to Thurs  
9am - 5pm EST

Discover more at [jaybe.com](http://jaybe.com) & find us on:

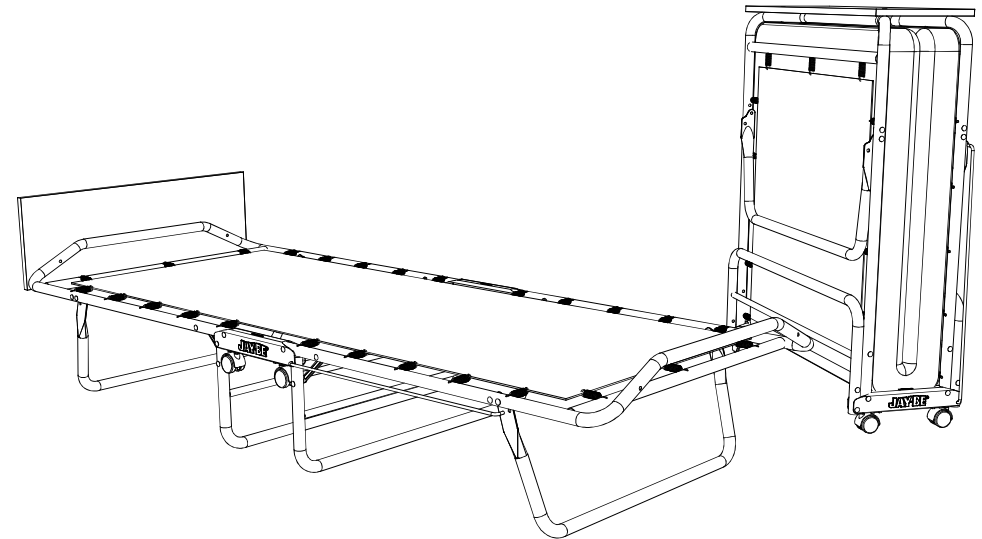


**FOR YOUR SAFETY**

We take your safety very seriously which is why Jay-Be® products are designed and tested to meet rigorous international Safety and Quality Standards.

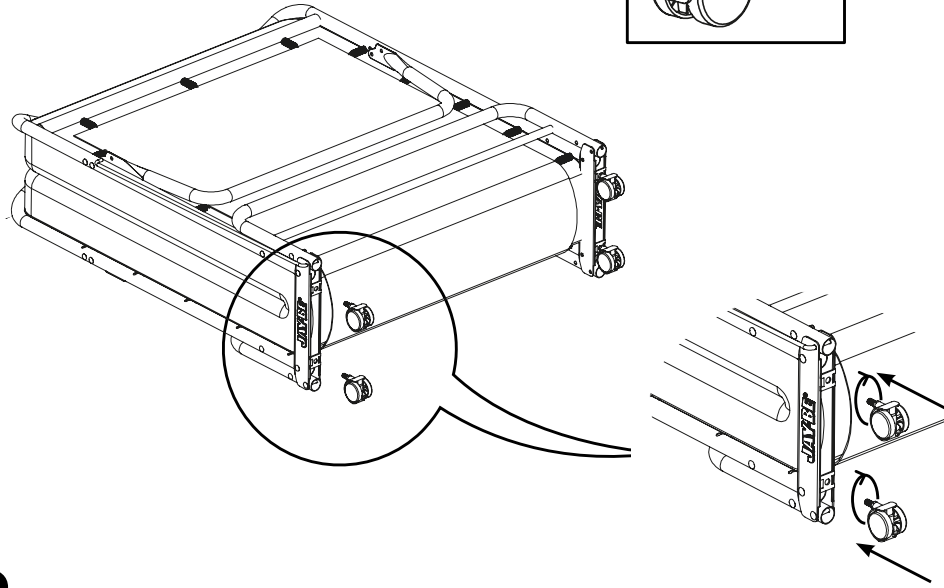
However, this Folding Bed contains moving parts so please be aware of hand entrapment when operating and never allow children to play on this product.

Folding Beds are designed to lie on and weight should be evenly distributed  
**Please do not jump, stand or kneel on your Folding Bed.**

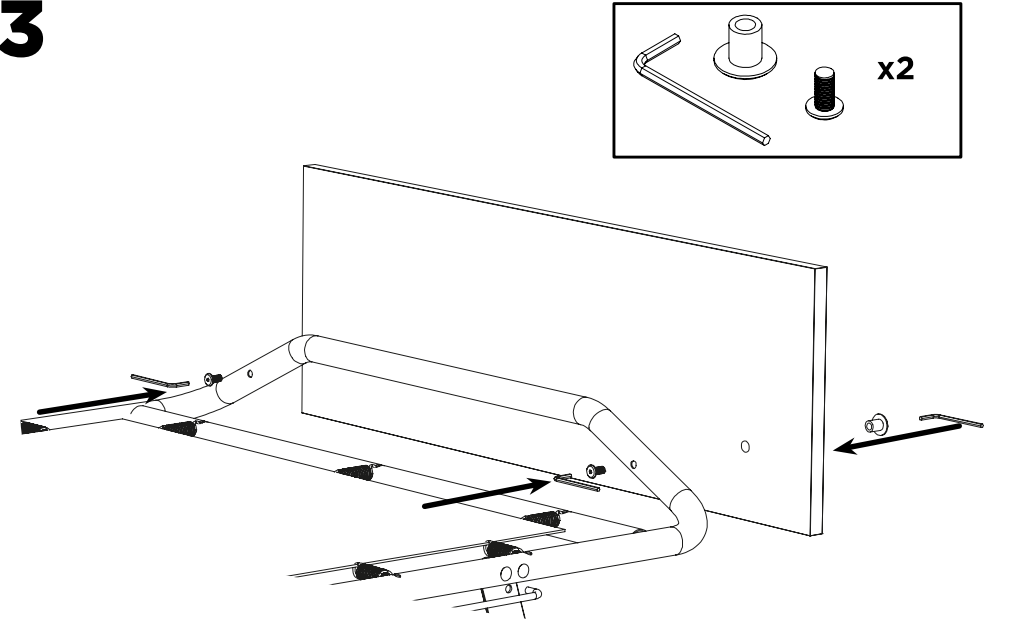


**PR2027**

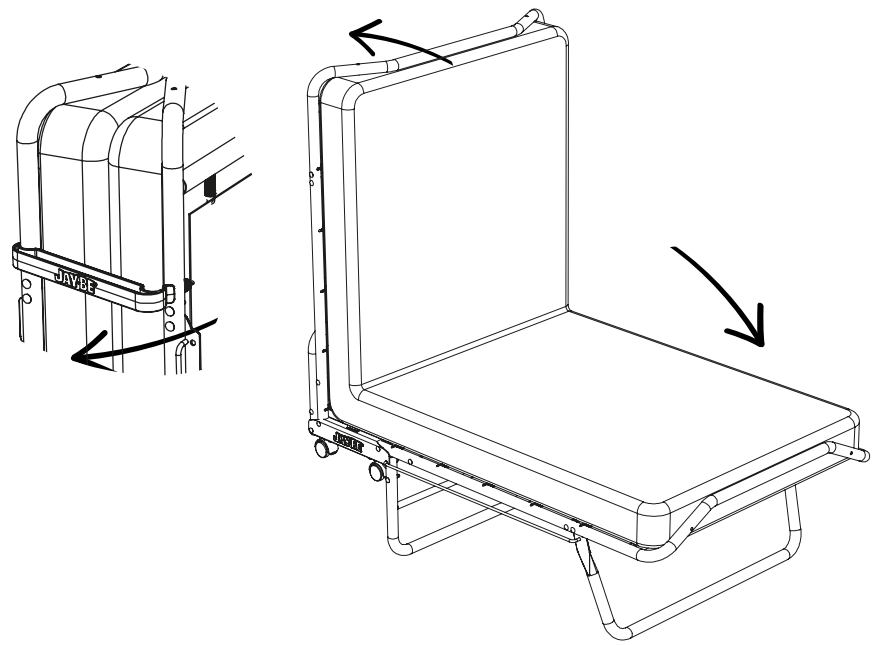
**1**



**3**



**2**



**4**

