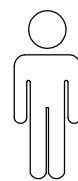
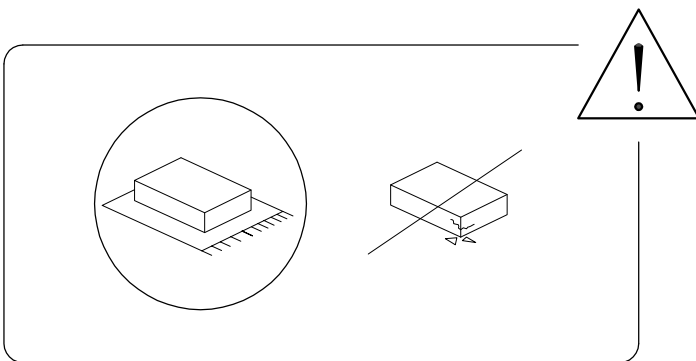
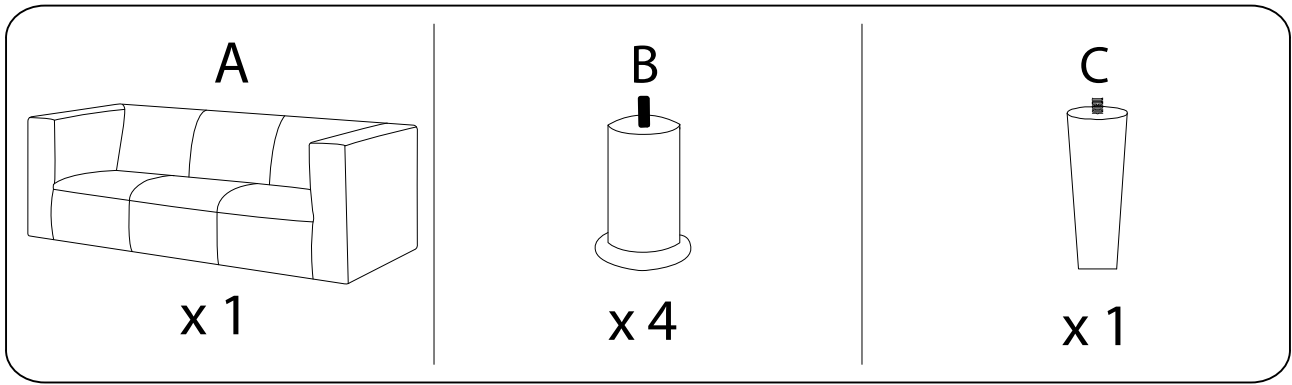


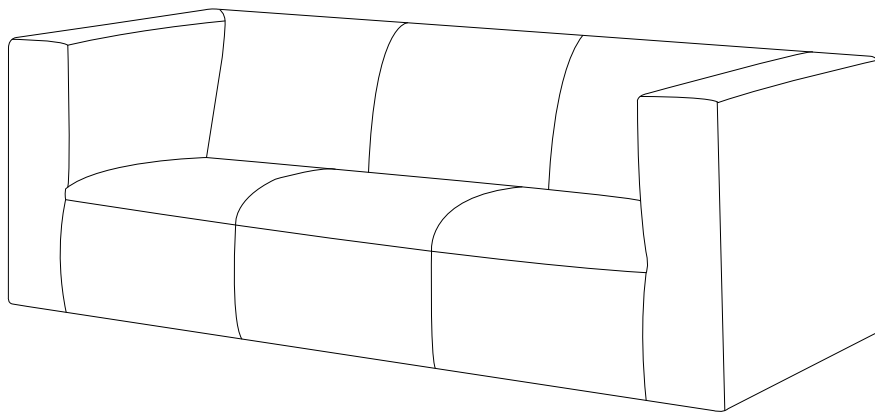
10'



1



A



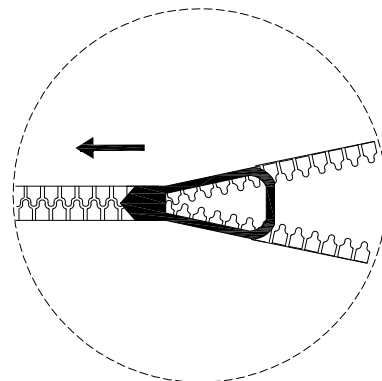
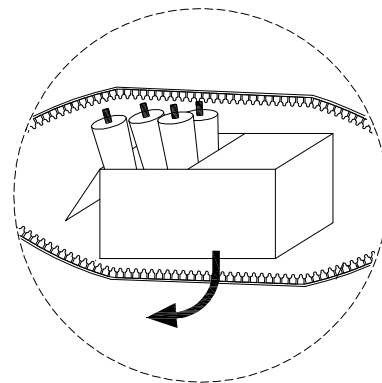
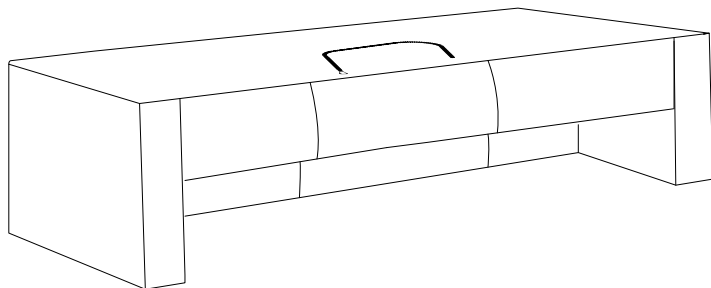
C x 1



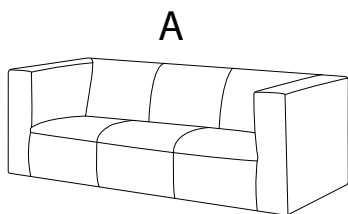
B x 4



!



1

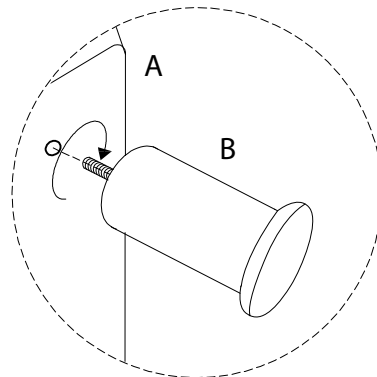
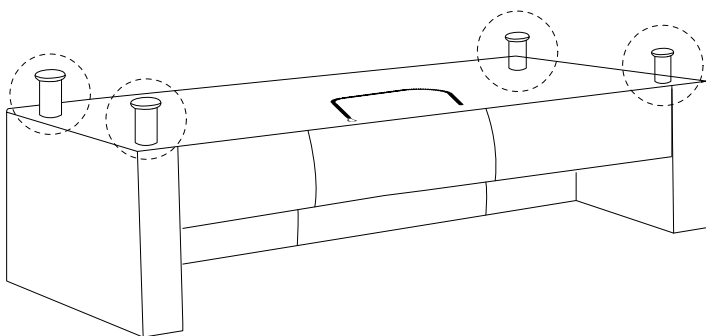


x 1

B



x 4



2

C



x 1

