

OWNER'S MANUAL

**POWER
RECLINER SOFA**

CONTENTS

I	SAFETY GUIDELINES	- 01	VI	DISASSEMBLY INSTRUCTION	- 32
	<ul style="list-style-type: none">• Mandatory• Danger• Warning• Symbols Information• Disclaimer			<ul style="list-style-type: none">• Disassemble Backrests• Disassemble Armrests• Disassemble Bases	
II	ASSEMBLY INSTRUCTIONS	- 04	VII	WARRANTY	- 37
	<ul style="list-style-type: none">• Configuration Selection Guide• Product Parameters• Part List• Assembly Steps				
III	OPERATING INSTRUCTIONS	- 26	VIII	RETURN/ REPLACEMENT- POLICY	38
	<ul style="list-style-type: none">• Operation Precautions• Operation Instruction				
IV	CARE AND MAINTENANCE	- 28	IX	CUSTOMER SUPPORT	- 39
	<ul style="list-style-type: none">• Fabric Care• Faux Leather Care• Electronics Care• Disposal & Recycling				
V	TROUBLESHOOTING	- 30			

I. SAFETY GUIDELINES

1. Mandatory

Read the safety and other instructions thoroughly before using your product. Failure to follow the guidelines, warnings in this manual and those located on your product can result in personal injury or product damage and will void the product warranty. Keep this manual for future reference.

2. Danger

- To prevent suffocation, keep plastic bags away from children.
- Do not allow children play on or near the product when in use. Serious injury or death could occur if a child is under the product when the product is in motion.
- Keep cord out of reach of small children, and do not use where it may be a trip hazard.
- Plug directly into a wall outlet. Do not use an extension cord or adapter.
- Do not use this product if it is wet, in water, around water or any liquid.
- Always leave in an upright and closed position. Keep hands and feet clear of mechanism and all moving parts. Footrest must be completely closed before getting in or out of the product. Only the occupant should operate the product.
- Before moving or troubleshooting, unplug power cords from outlet and secure the mechanism to prevent unexpected movement of the product.

3. Warning

- Weight Capacity: Each seat can support a weight of up to **350** pounds.
- Do not use outdoors. INDOOR USE ONLY.
- To avoid tip over, do not put your weight against the back of the product.
- Do not stand, sit, or place extra weight on the arms, back or open footrest.
- Do not use this product if it is damaged. Do not use attachments or substitute parts.
- Avoid exposing upholstered product to burning cigarettes or cigars, open flames, and high temperatures.

- Do not operate the unit until the back is installed and locked.
- Do not attempt to disassemble or repair the actuator or pump; no serviceable parts are inside.
- Do not allow electrical cord to be pinched between moving parts or between the frame and the floor. Do not place cord under carpet or in a location where it could become worn.
- Do not attempt to disconnect the power plug by pulling the power cord. Always hold the power plug and pull it out.
- Closely supervise children and disabled persons using this product.
- To reduce the risk of head entrapment and other injuries, keep children and pets away from openings and moving parts in and around furniture.
- This product has many moving parts, serious injury can occur if not used properly. Keep hands, fingers, and body parts away from the mechanism.
- To exit the unit safely and prevent a tripping hazard, bring the back upright and close the footrest.
- Place tables and area rugs at a distance to allow the footrest to fully extend without rubbing or interference.
- Check the condition of the power supplies, electrical cords, plugs, and connectors often. Keep the power supplies and electrical cords away from heat sources. Never operate the unit with a damaged power supply, electrical cord, plug or connector.
- Do not charge your device into the USB charge ports over 24hours.
- Do not charge any devices over 5V/2A with the USB charge ports.
- Do not overlay the USB charge ports with other heat-dissipating electronic products. This may prevent heat dissipation and cause overheating or melting.
- Unplug the power cord immediately if you detect strange odors or fumes coming from the chair. Contact your Support.
- A seat is intended for a single occupant, not exceeding **350** pounds. Do not operate the seat with more than one occupant in or on any part of the product.
- If you give this product to someone else, must include this owner's manual.

4. Symbols Information

The symbols below represent labels used on the product to identify warnings, mandatory actions, and prohibited actions. It is especially important for you to read and understand these symbols completely. Do not remove these labels from your product. Please note that not all the symbols may be used on your product.



5. Disclaimer

Make sure you read and understand this manual completely before using your MCombo Product. We are not and cannot be held responsible for any damage or injury incurred due to improper or unsafe use of the MCombo Product. We specifically disclaim responsibility for any bodily injury or property damage that may occur during any use that does not comply with applicable federal, state, or local laws or ordinances.

II. ASSEMBLY INSTRUCTIONS

■ Notice

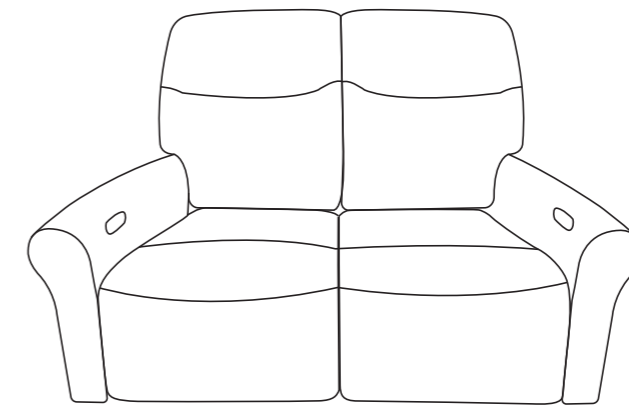
- Please read these instruction thoroughly before using.
- Do not plug the power supply in until assembly complete.
- Please contact us (See "MCombo Customer Support" on Page 32) immediately if anything is missing or damaged.

1. Configuration Selection Guide

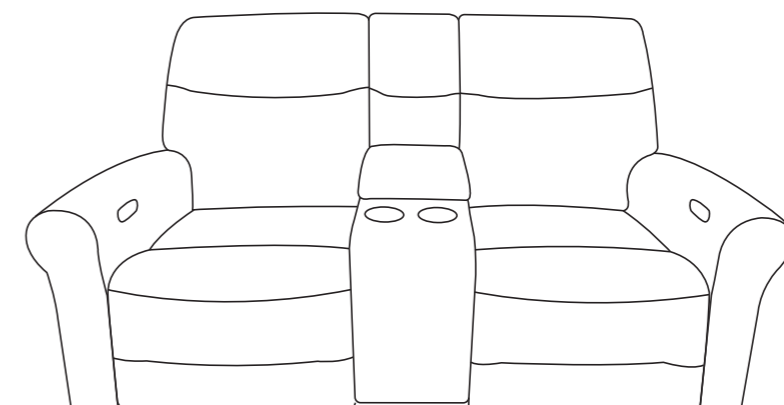
■ Notice

- Please select the exact sofa you purchased and turn to the exact page to assemble it.

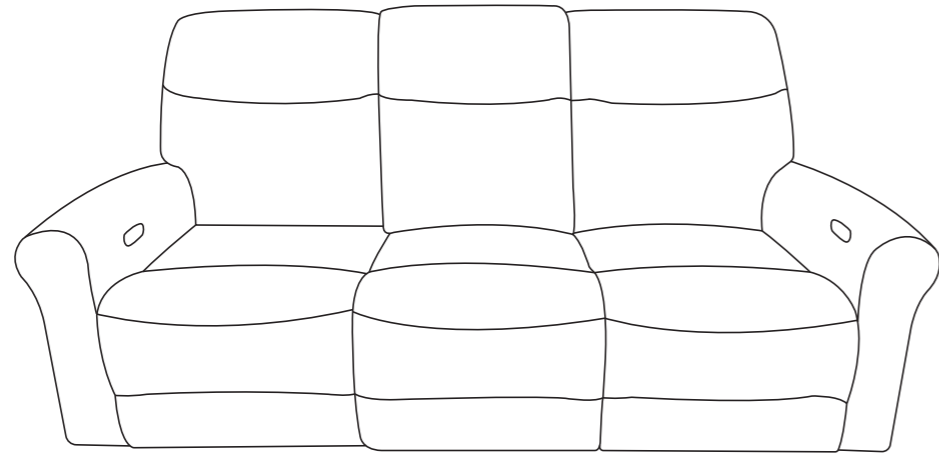
Loveseat (Please Turn to **Page 08** to Assemble)



Loveseat with Console (Please Turn to **Page 14** to Assemble)



Sofa (Please Turn to **Page 20** to Assemble)



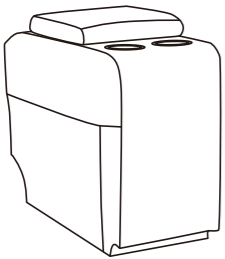
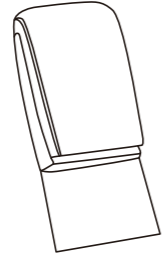
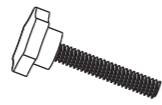
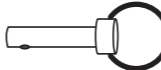
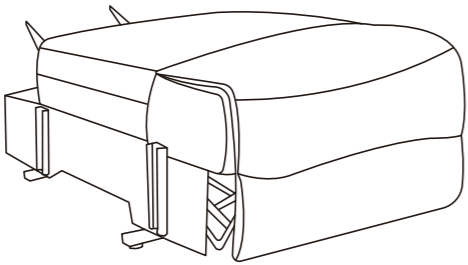
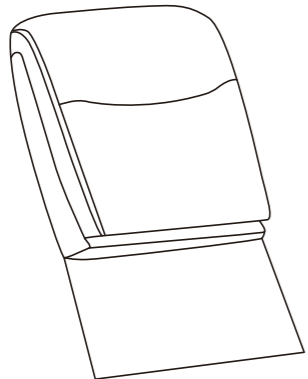
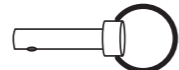
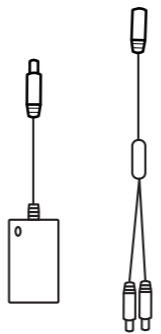
2. Product Parameters

Specification	Description
Rated Voltage	100~240V
Rated Current	1.5A
Output Voltage	29V
Reclining Angle	145°
Weight Capacity	350lbs
USB A/C Power	7.5W

3. Part List (Loveseat)

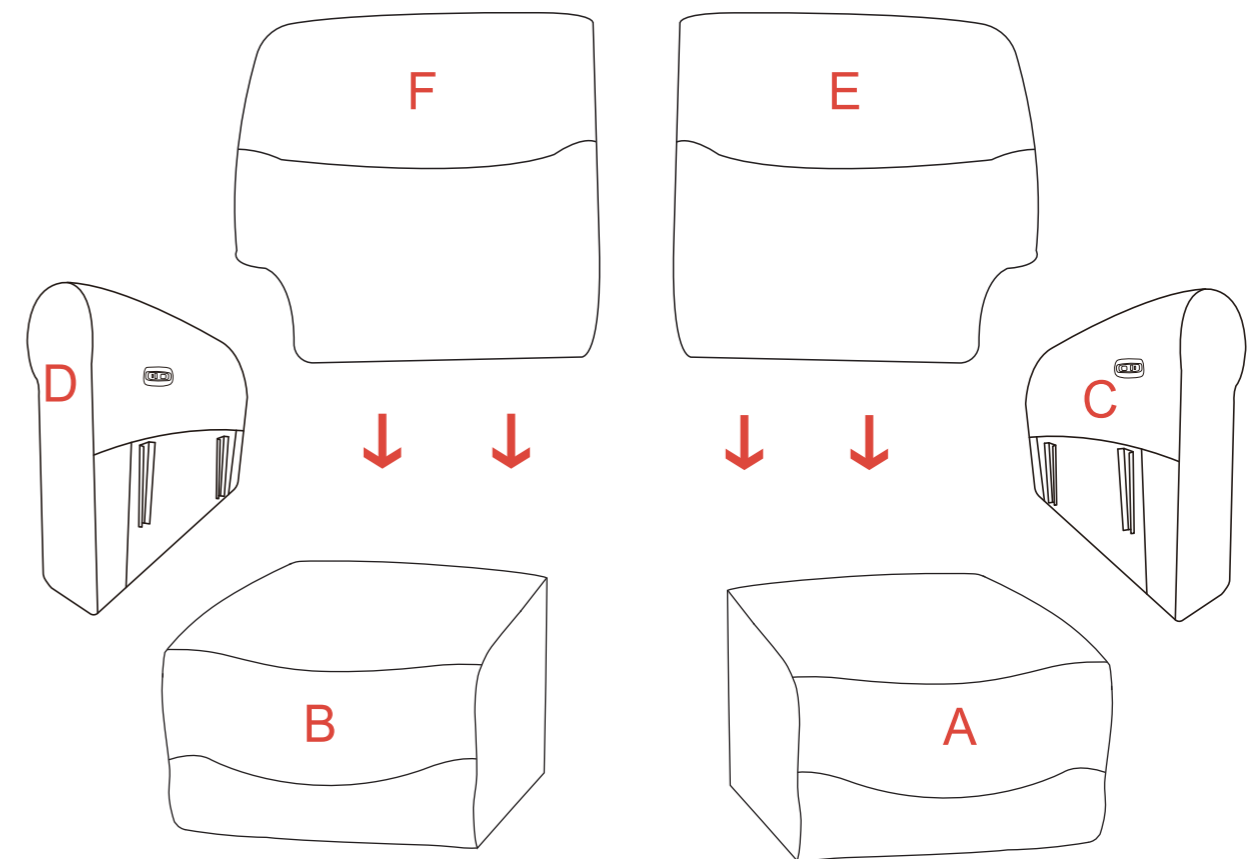
- **Notice**
- Use MCombo parts only for all replacements.

<p>A Left Base x 1</p>	<p>B Right Base x 1</p>	
<p>3</p>		
<p>E Left Backrest x 1</p>	<p>F Right Backrest x 1</p>	<p>Part Box</p> <p>G Power Adapter x 2 6160-FF-29V-Angle</p> <p>H protective glove x 2</p> <p>I Cylindrical Pin x 2</p> <p>J Plastic Tie x 4</p>
<p>C Left Armrest x 1</p>	<p>D Right Armrest x 1</p>	

<p>K Storage Console x 1</p> 	<p>L Console Backrest x 1</p> 	<p>Part Box</p> <p>N Plastic Cover x 2 </p> <p>I Cylindrical Pin x 1 </p>	
<p>M Middle Seat x 1</p> 			
<p>O Middle Backrest x 1</p> 	<p>Part Box</p> <p>I Cylindrical Pin x 1 </p> <p>P Middle seat adapter x 1 </p>		

4. Assembly Steps (Loveseat)

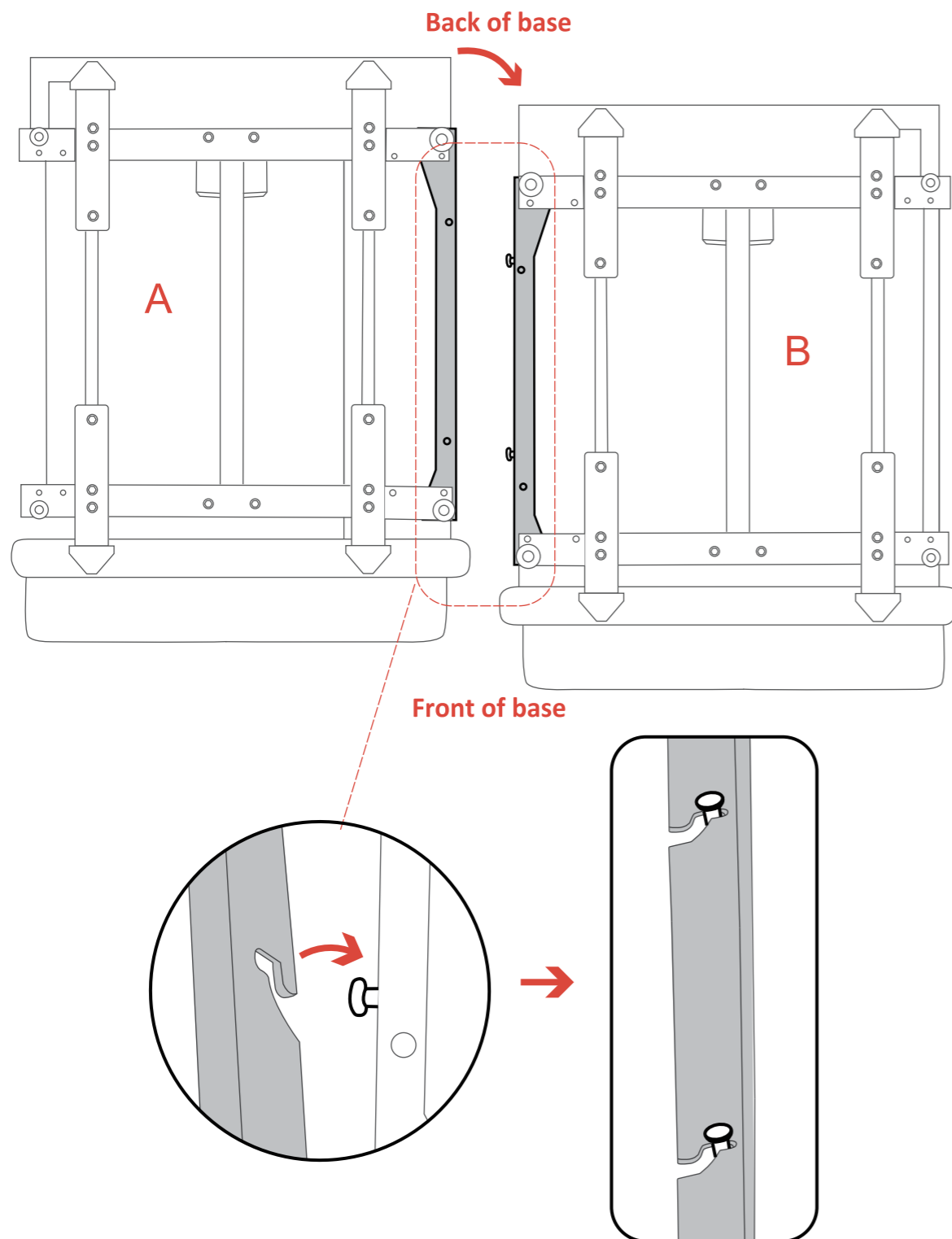
Package Quantity	4
------------------	---



Step1 - Bases Assembly

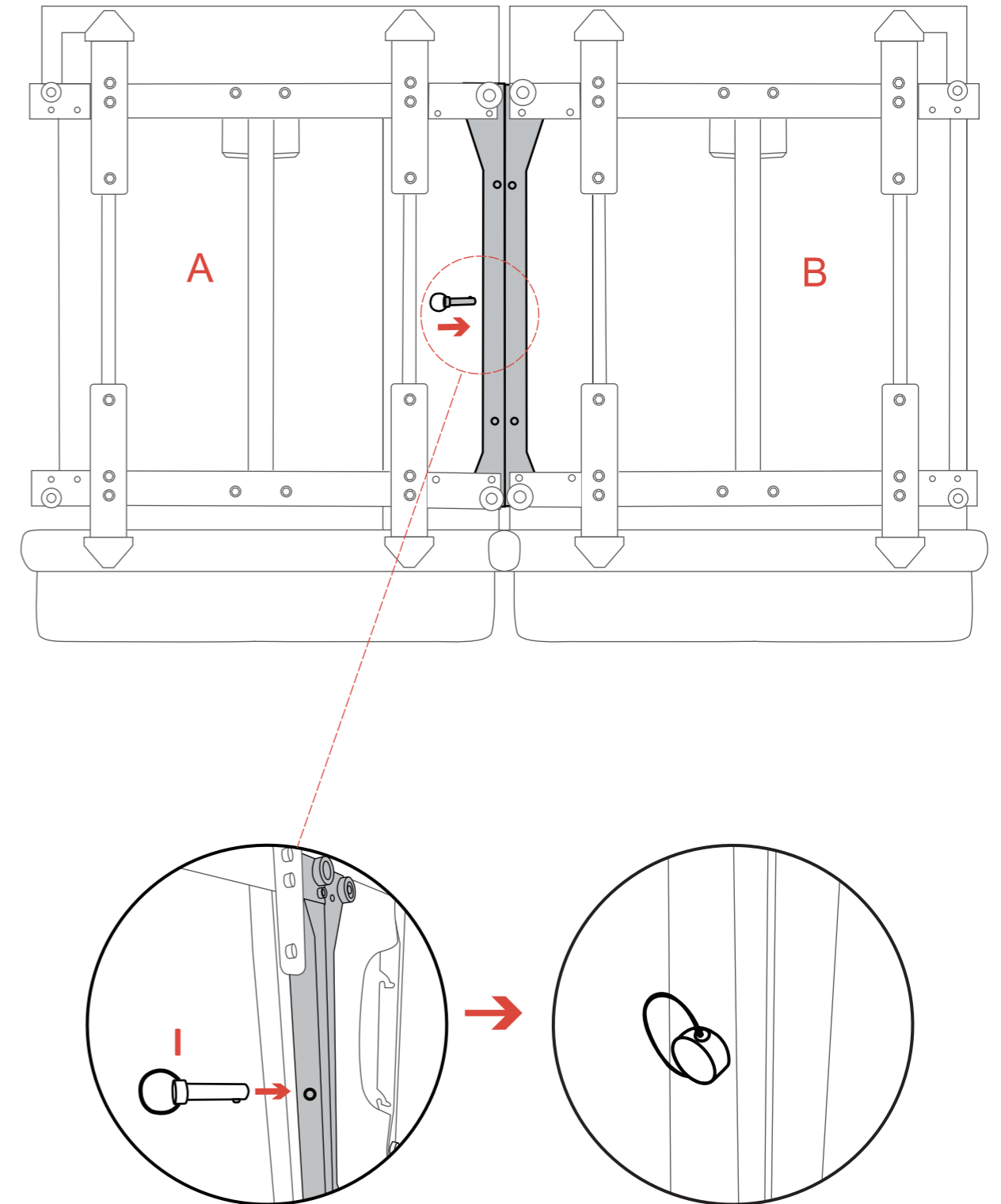
1. First, align the two bases and flip them forward in turn, the footrests are facing down.
2. Lift the left base slightly upward and slide the two notches on the left base frame to the corresponding protrusions on the right base frame, aligning the holes in the middle of both frames.

NOTE: For easier installation, please ensure that the footrests are facing down.



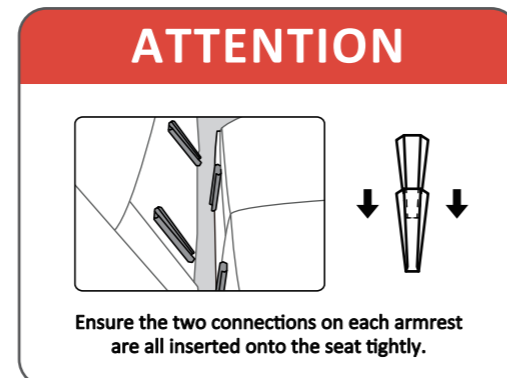
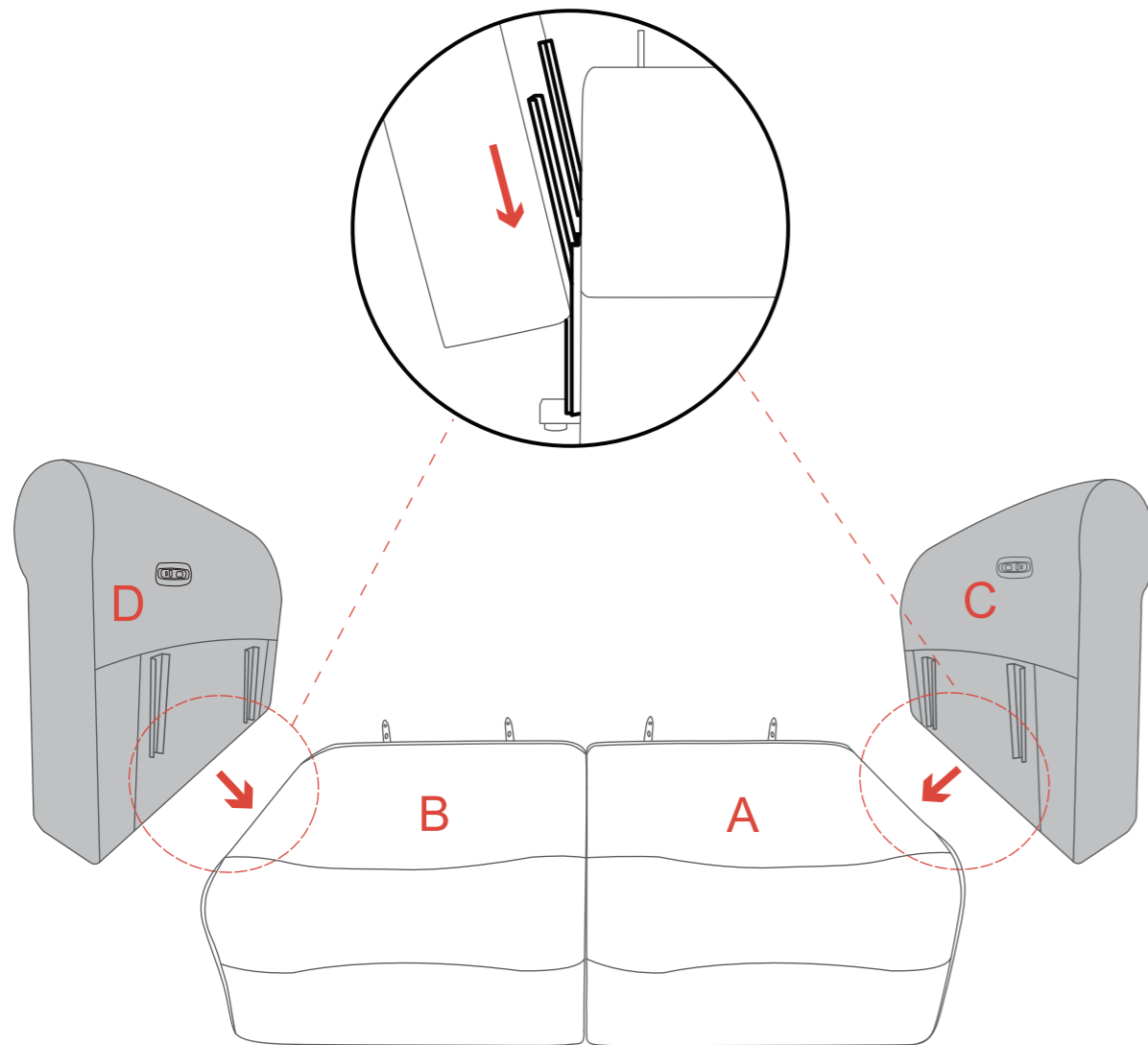
3. Once the holes on both frames are aligned, insert the cylindrical pin to secure the two bases.

NOTE: Make sure the two metal pieces are aligned and on the same plane before inserting the cylindrical pin.



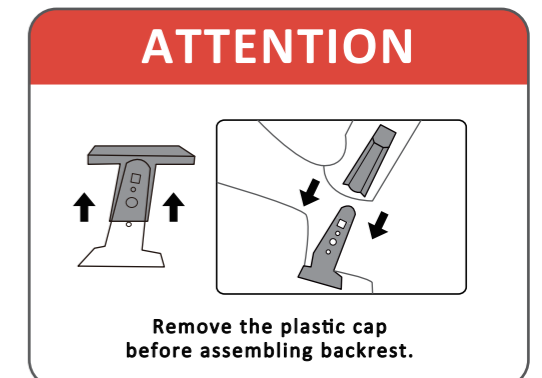
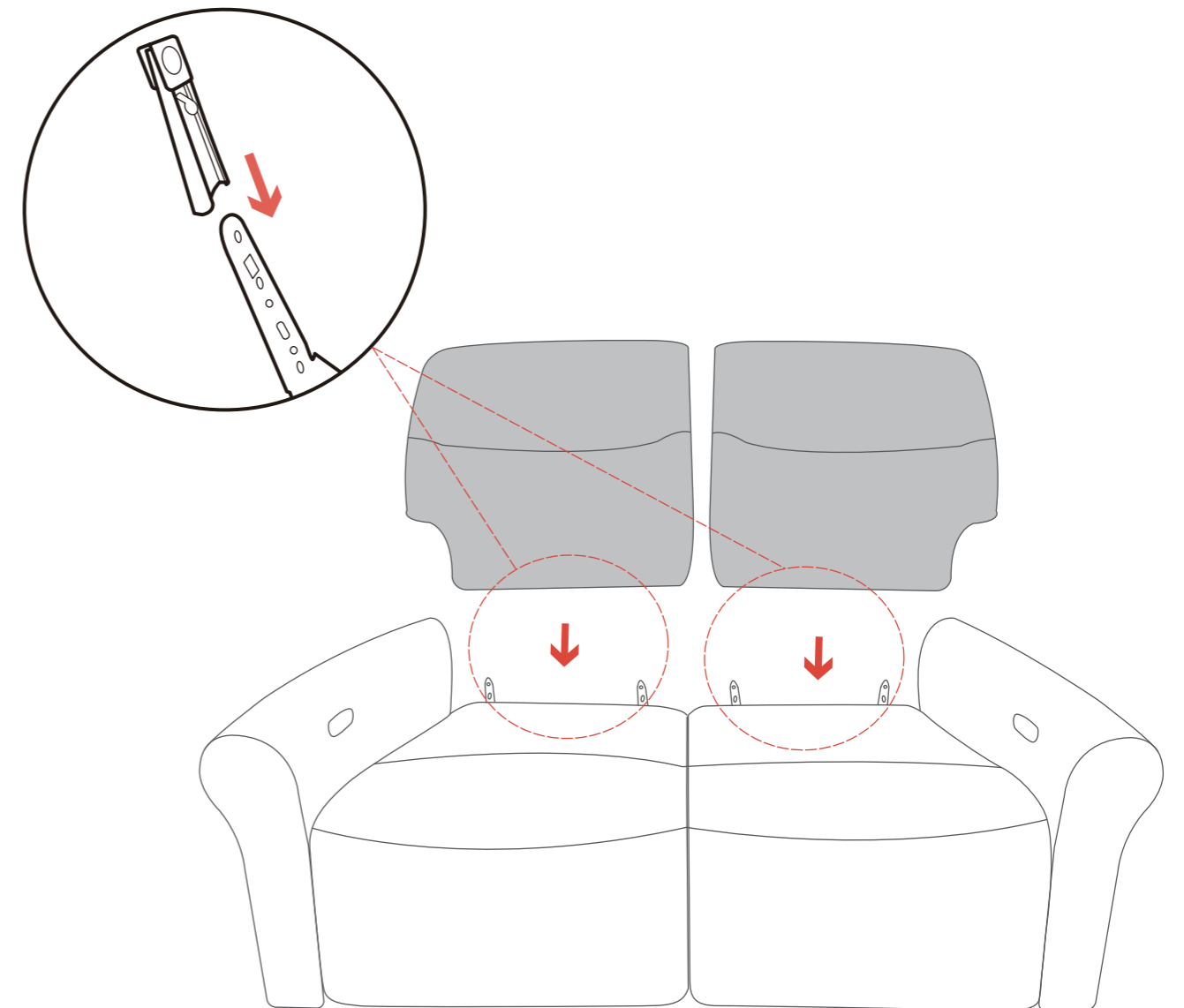
Step2 - Armrests Assembly

1. Align the brackets of armrest at the clips of the base (Figure).
2. Push firmly the brackets into the the base. Listen for a “click” on each side to ensure the armrest is locked in properly.



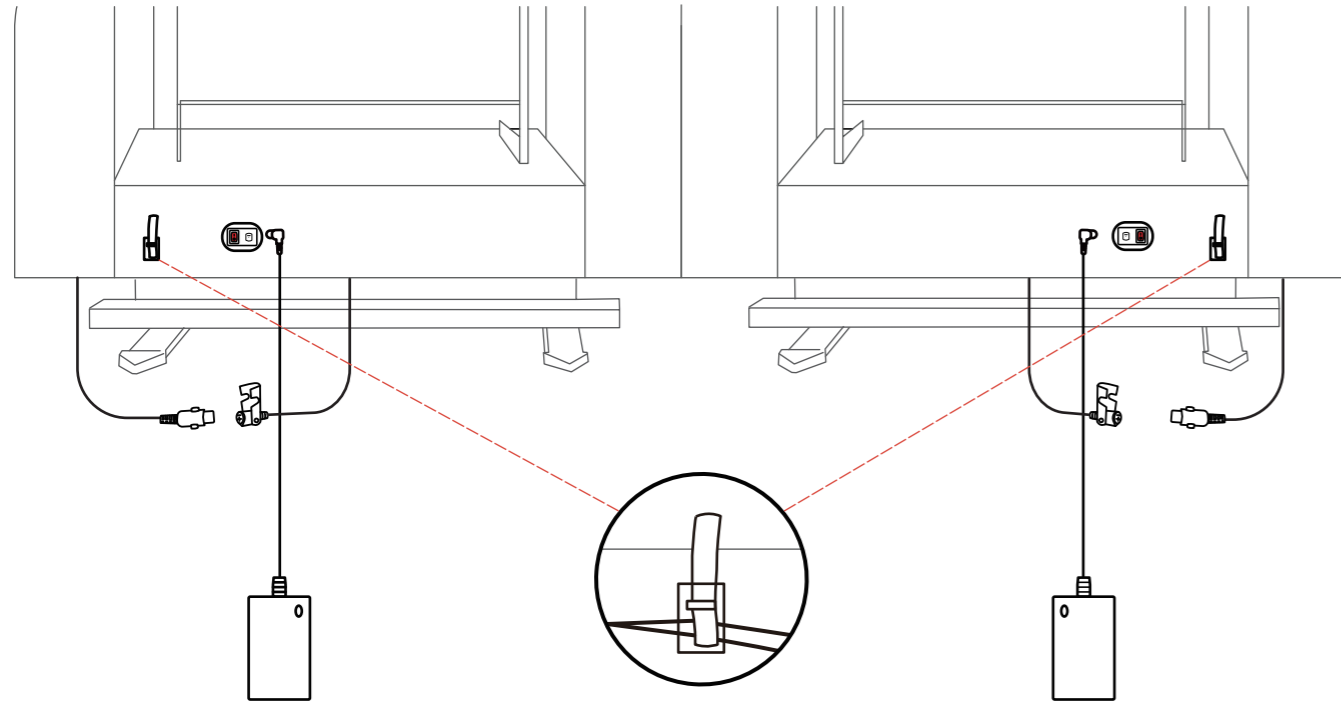
Step3 - Backrests Assembly

1. Align the brackets of the backrest at the clips of seat-back (Figure).
2. Push firmly the brackets into the seat-back. Listen for a “click” on each side to ensure the backrest is locked in properly.



Step4 - Product Connections

1. Connect the chairs according to the following wiring diagram (Figure).
2. Attach the chair-back to the velcro on the bottom of the chair base.

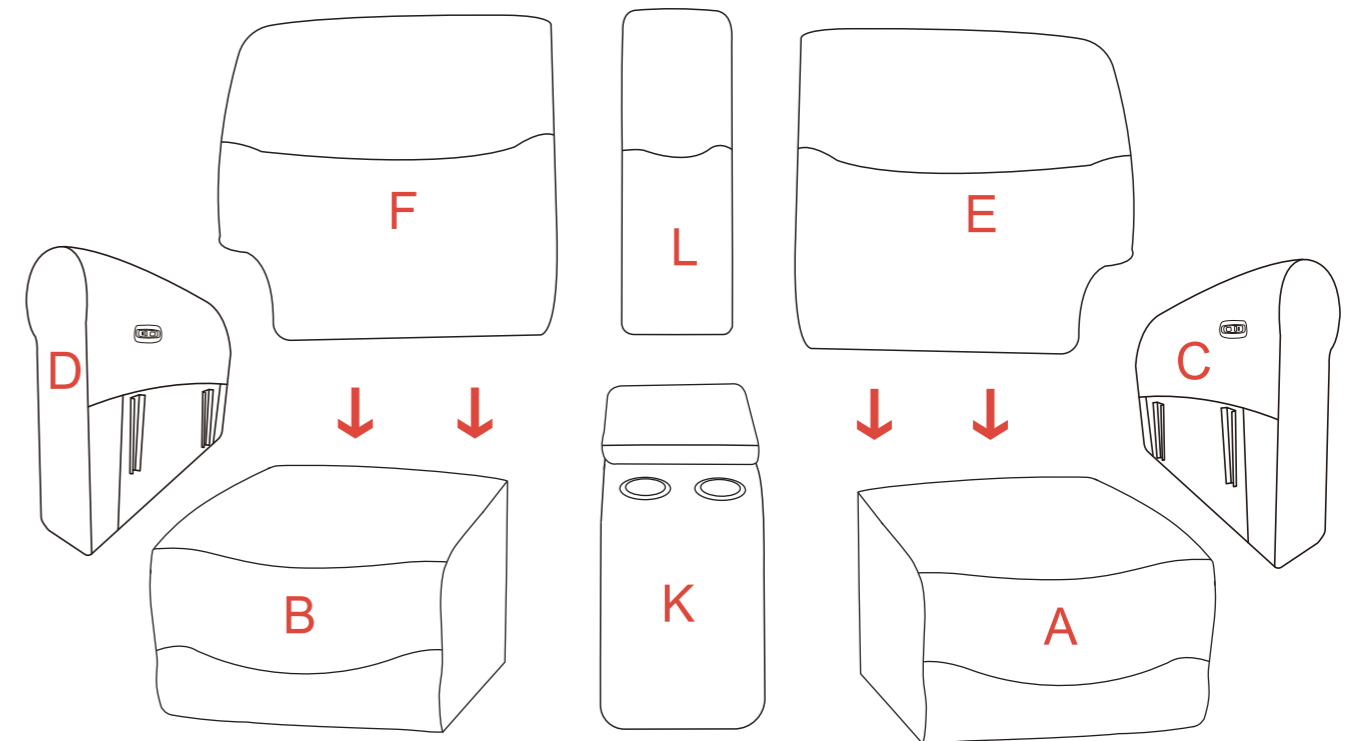


Step5 - Final Check

1. Make sure both metal brackets on each armrest are mounted on the base.
(There are two metal brackets on each side of the base, it looks like assembly is finished when you insert armrest into only one bracket instead of two, however all pressure will apply to one bracket, that is one likely reason that the armrest falls apart from the seat.)
2. Make sure the backrest inserts are locked to the base.
(Pull up the backrest to check if it is locked in place.)
3. Make sure all wires are connected tightly.
4. Make sure all wires are not placed at the bottom of the rack and will not be pressed by frame.
(If the wire is pressed by the frame, the wire will be broken by the frame and the sofa will stop working.)

4. Assembly Steps (Loveseat with Console)

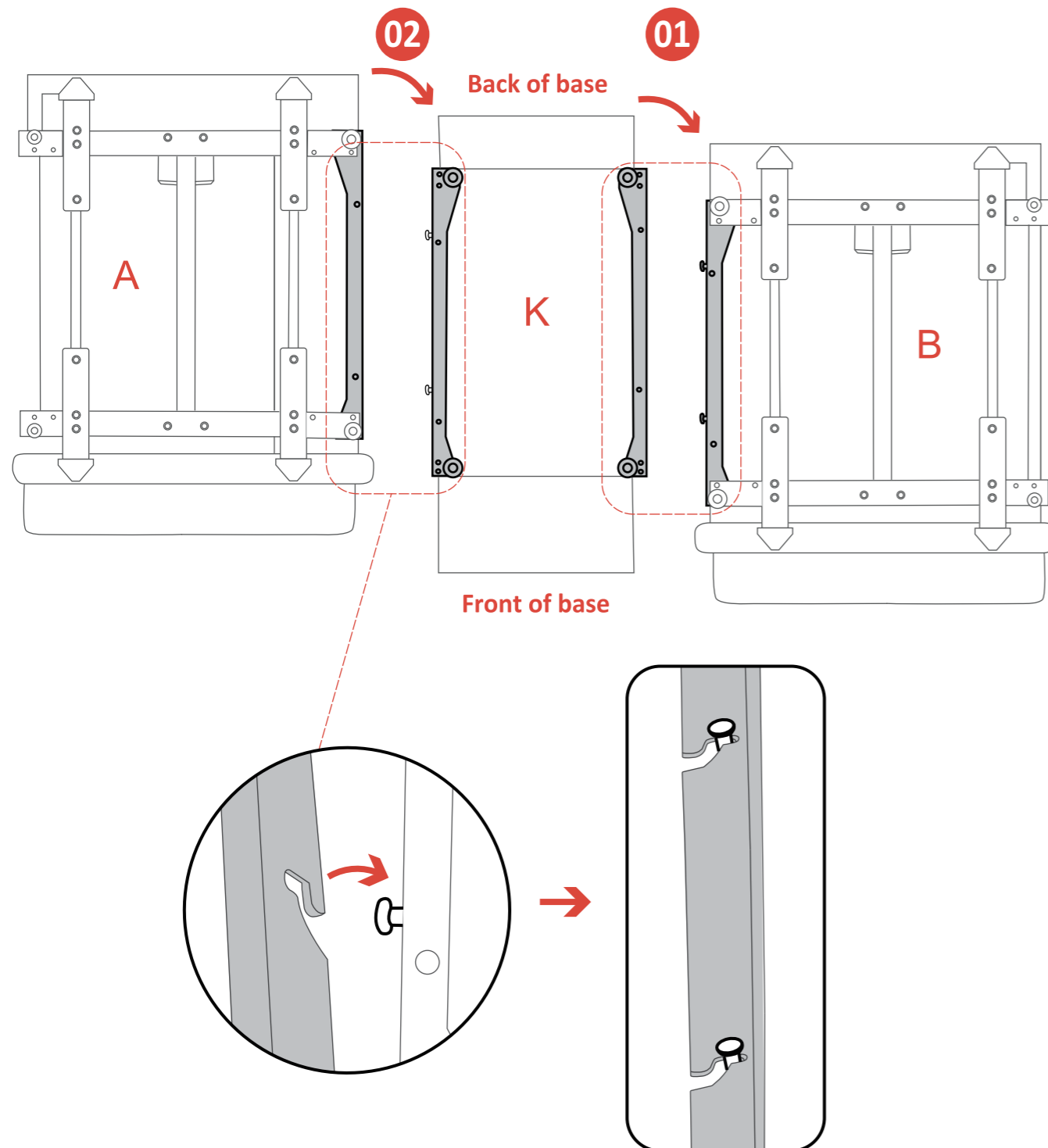
Package Quantity	5
------------------	---



Step1 - Bases Assembly

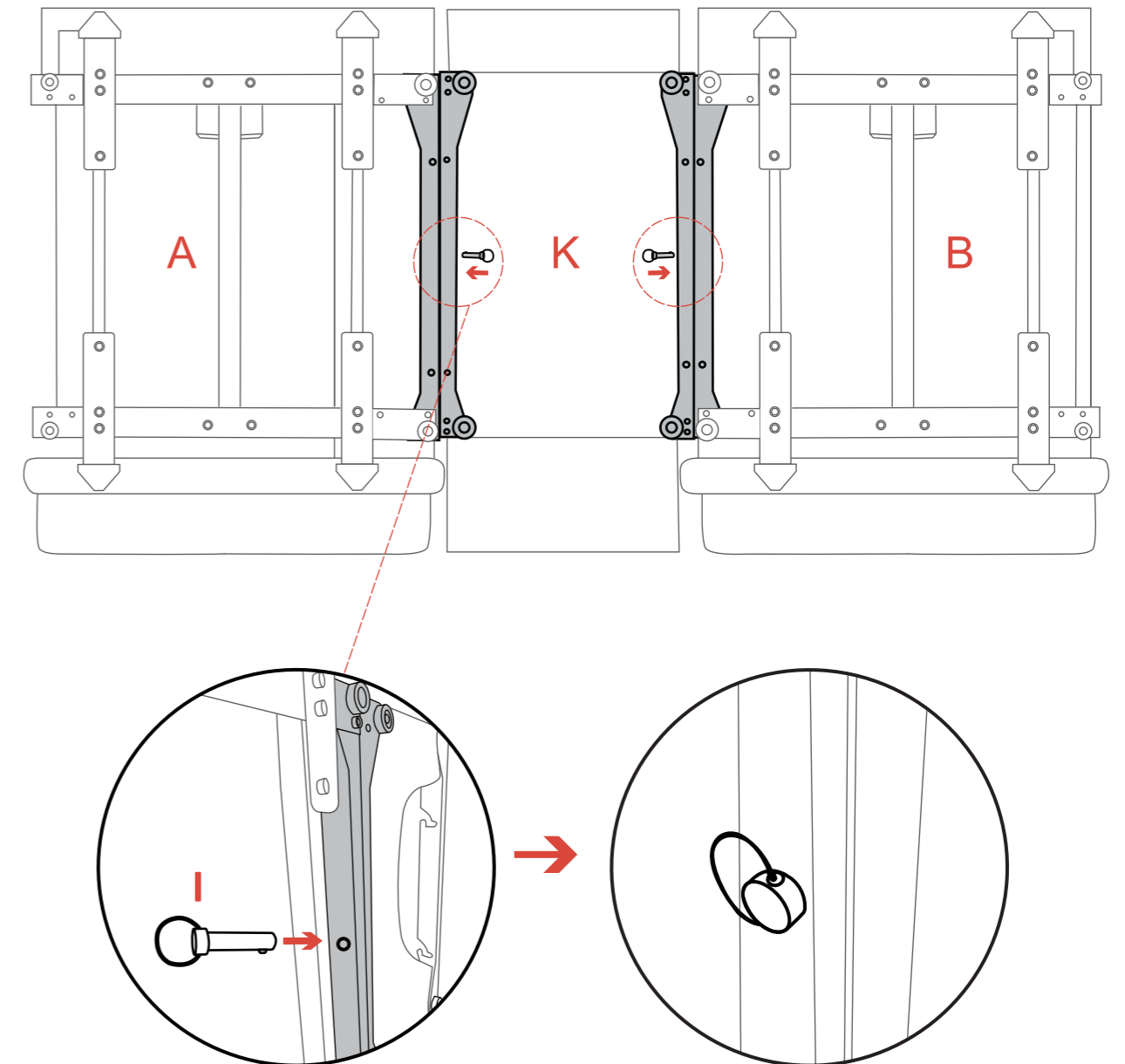
1. First, align the two bases and the storage console, then flip them forward in turn, the footrests are facing down.
2. Lift the console slightly upward and slide the two notches on the console frame into the corresponding protrusions on the right base frame, aligning the holes in the middle of both frames.

NOTE: For easier installation, please ensure that the footrests are facing down.



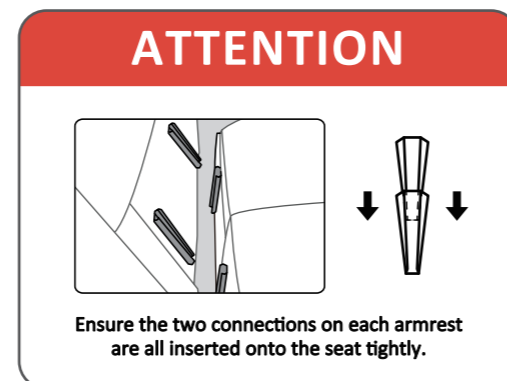
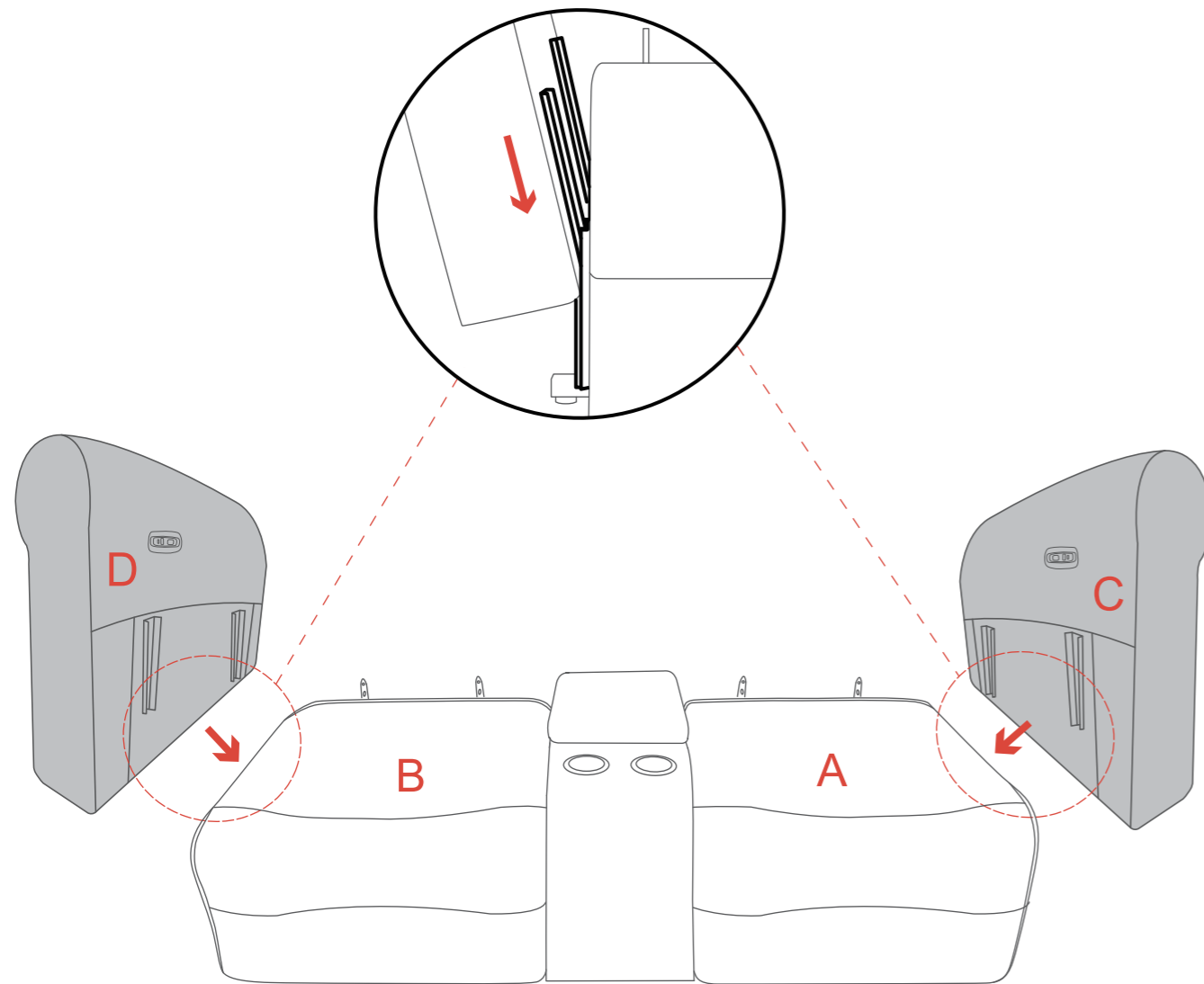
3. Once the holes on both frames are aligned, insert the cylindrical pin to secure the storage console and the right base.
4. Follow the same steps to install the left base, securing both bases and the storage console.

NOTE: Make sure the two metal pieces are aligned and on the same plane before inserting the cylindrical pin.



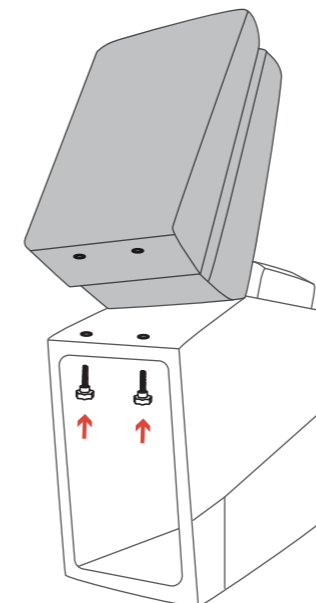
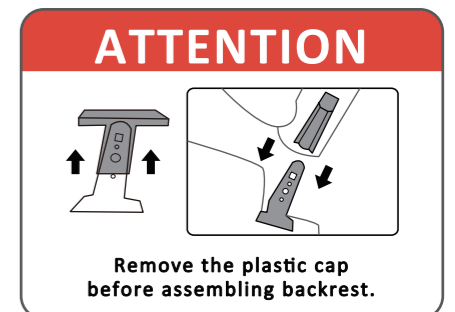
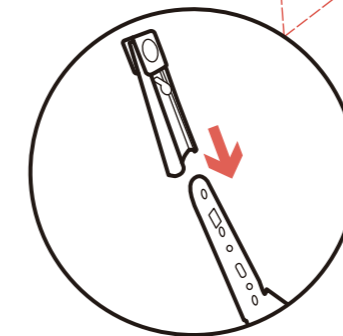
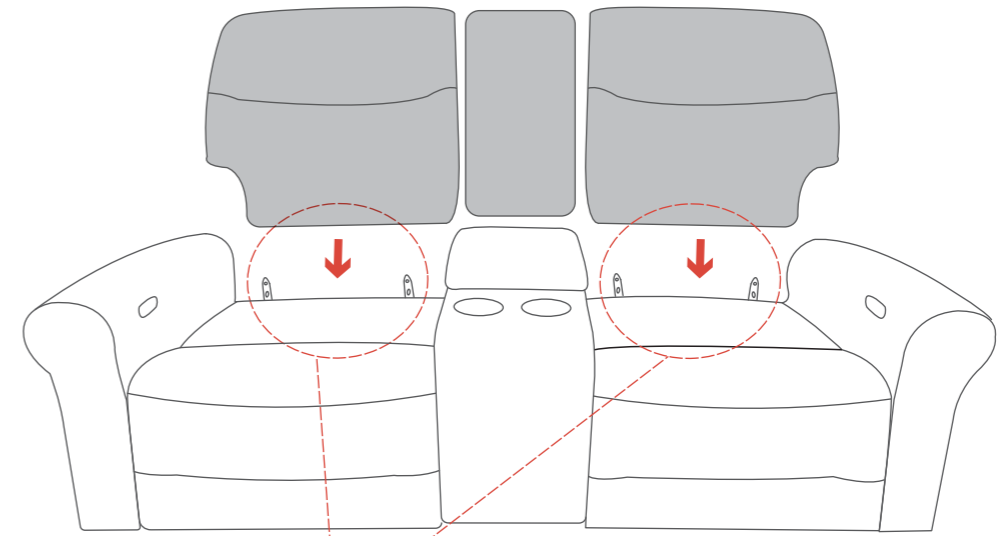
Step2 - Armrests Assembly

1. Align the brackets of armrest at the clips of the base (Figure).
2. Push firmly the brackets into the the base. Listen for a “click” on each side to ensure the armrest is locked in properly.

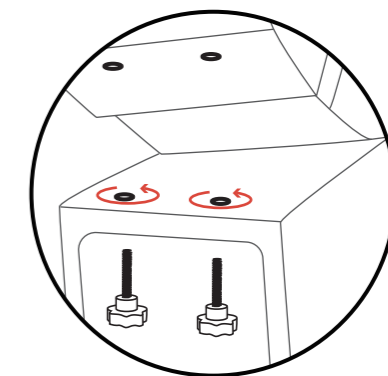


Step3 - Backrests Assembly

1. Align the brackets of the backrest at the clips of seat-back (Figure).
2. Push firmly the brackets into the seat-back. Listen for a “click” on each side to ensure the backrest is locked in properly.

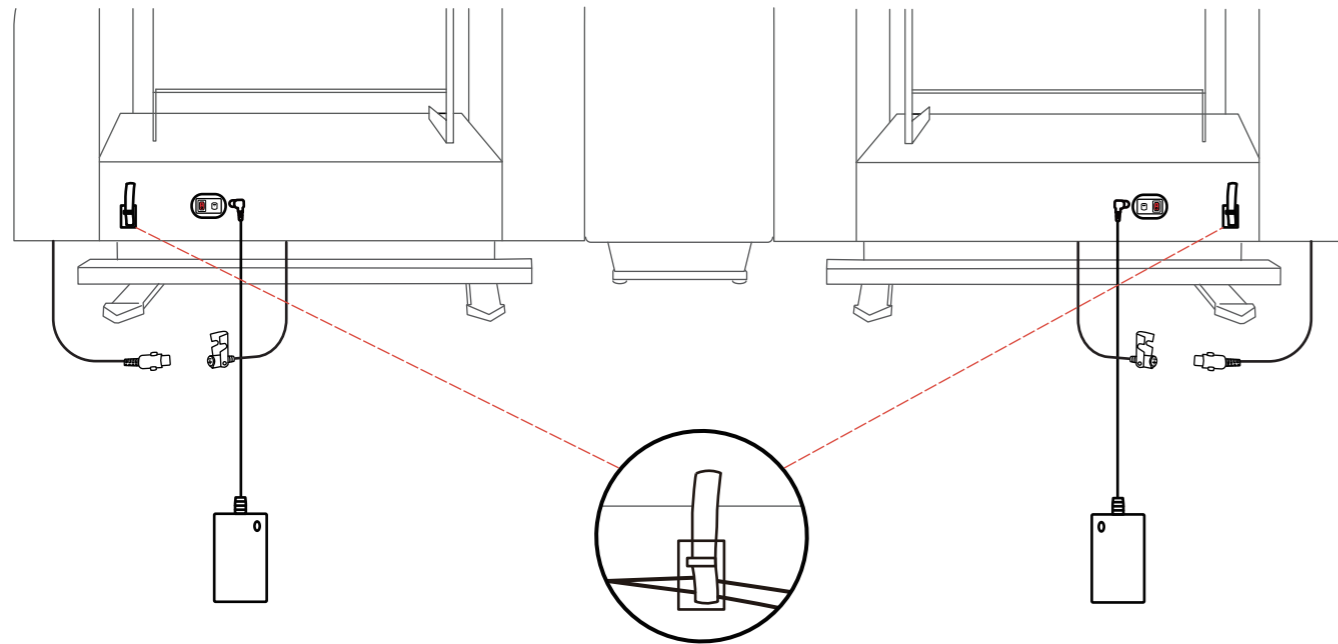


3. Please connect the storage console (Part #K) to the console backrest (Part #L) using plastic cover screws (Part #N).



Step4 - Product Connections

1. Connect the chairs according to the following wiring diagram (Figure).
2. Attach the chair-back to the velcro on the bottom of the chair base.

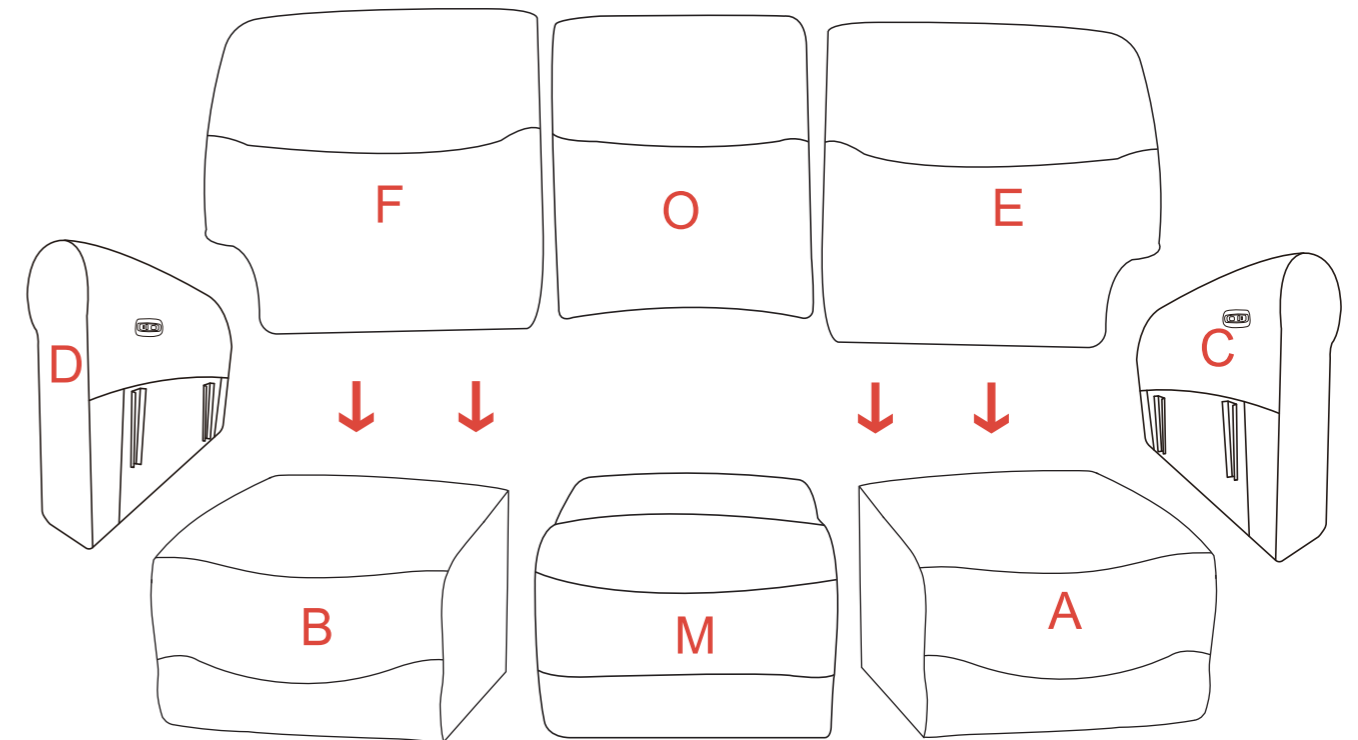


Step5 - Final Check

1. Make sure both metal brackets on each armrest are mounted on the base.
(There are two metal brackets on each side of the base, it looks like assembly is finished when you insert armrest into only one bracket instead of two, however all pressure will apply to one bracket, that is one likely reason that the armrest falls apart from the seat.)
2. Make sure the backrest inserts are locked to the base.
(Pull up the backrest to check if it is locked in place.)
3. Make sure all wires are connected tightly.
4. Make sure all wires are not placed at the bottom of the rack and will not be pressed by frame.
(If the wire is pressed by the frame, the wire will be broken by the frame and the sofa will stop working.)
5. Make sure all the screws are tightened.

4. Assembly Steps (Sofa)

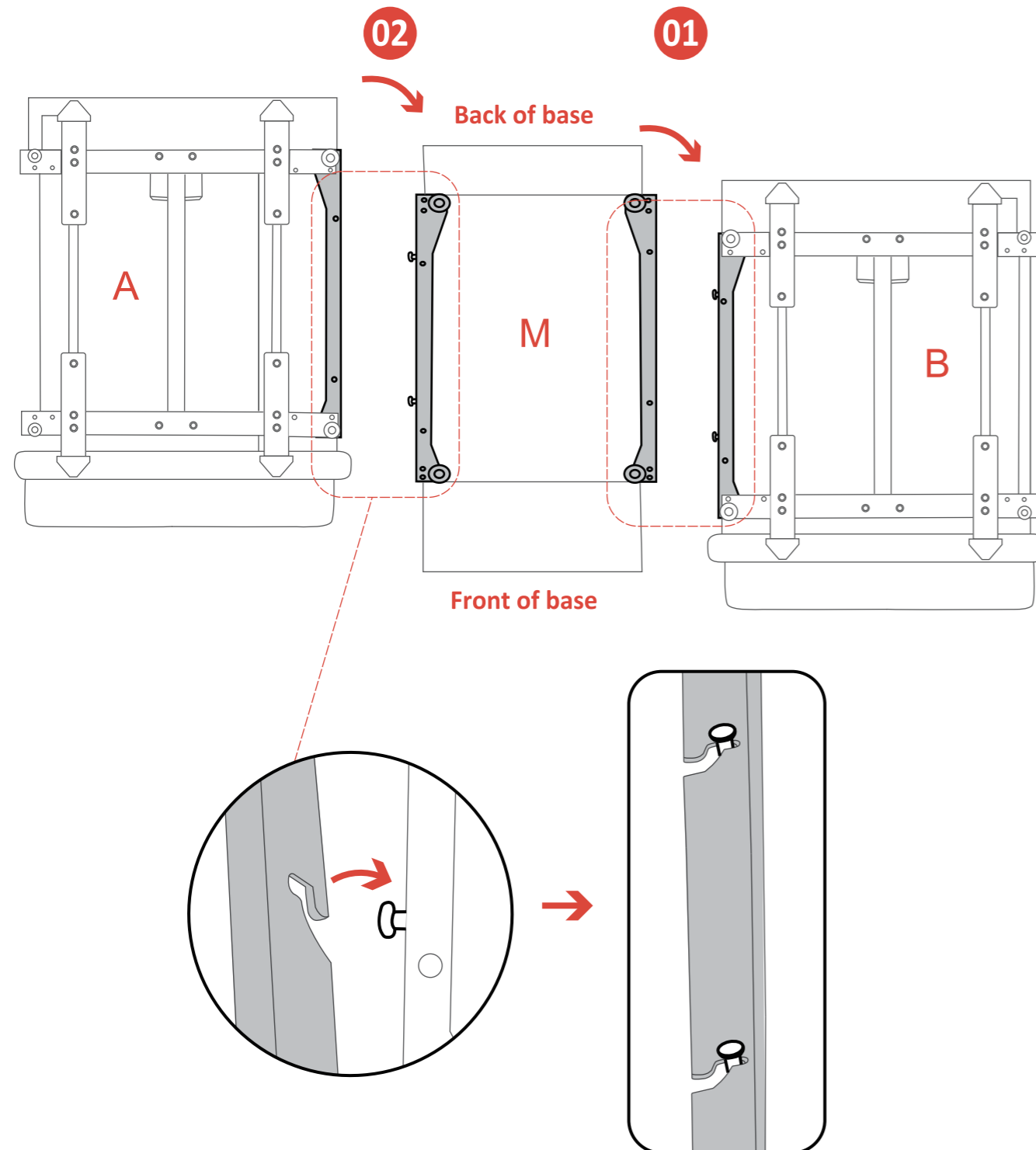
Package Quantity	6
------------------	---



Step1 - Bases Assembly

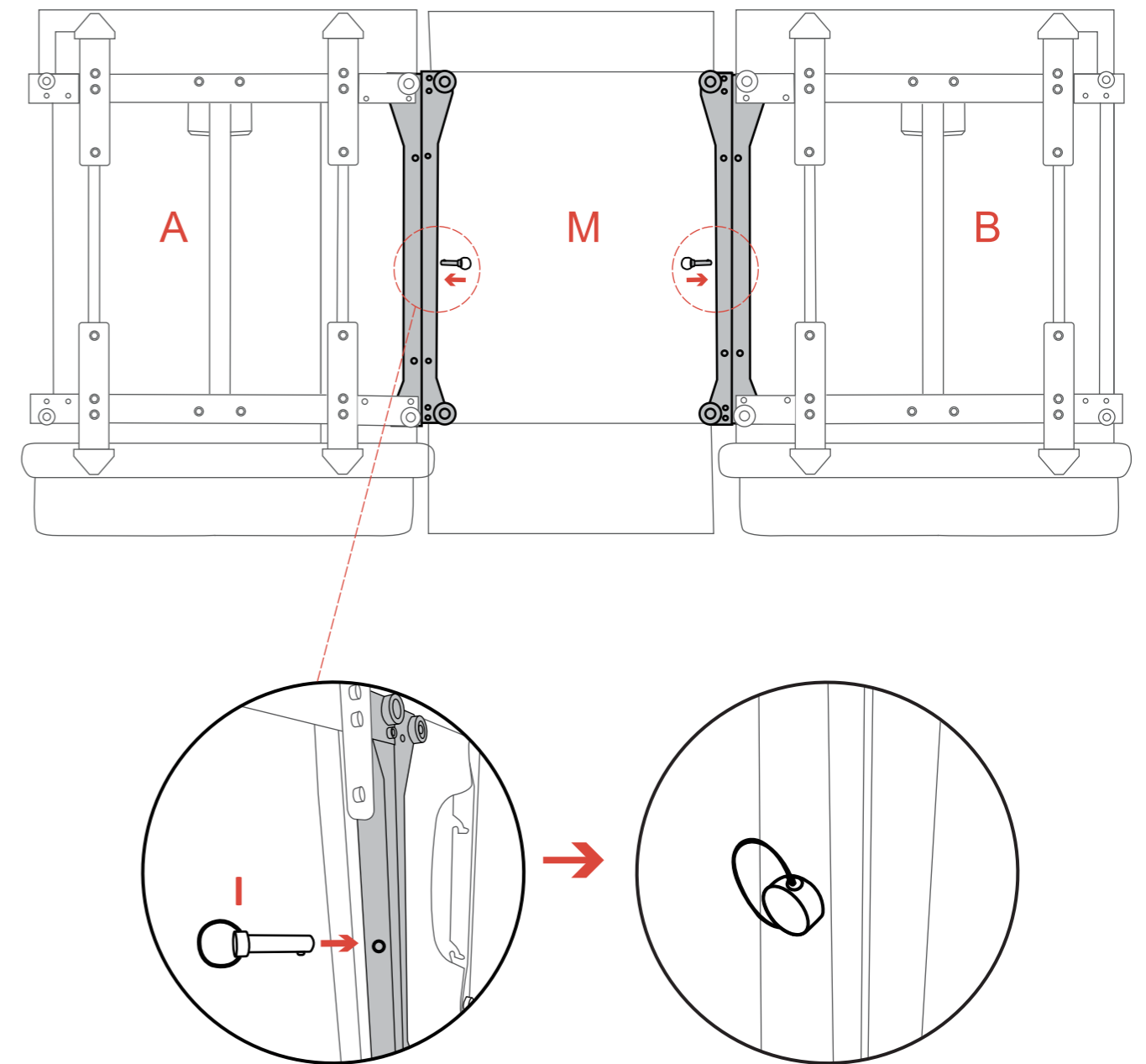
1. First, align all the bases, then flip them forward in turn, the footrests are facing down.
2. Lift the middle base slightly upward and slide the notches into the corresponding protrusions on the right base frame, aligning the holes in the middle of both frames.

NOTE: For easier installation, please ensure that the footrests are facing down.



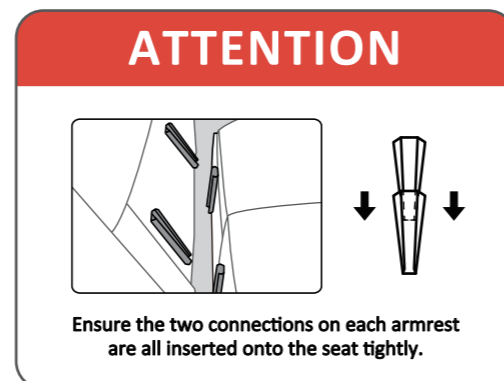
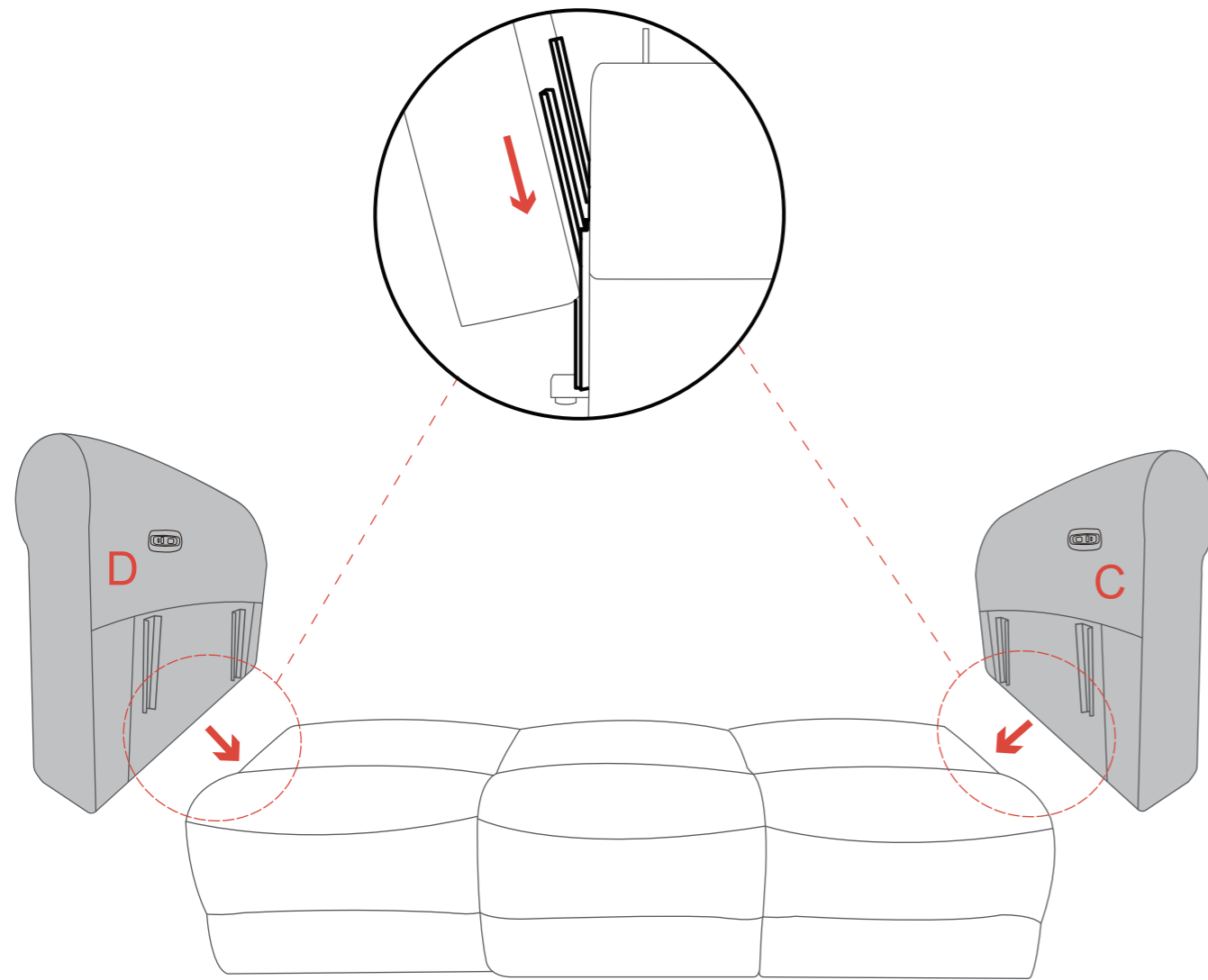
3. Once the holes on frames are aligned, insert the cylindrical pins to secure the middle base and right base.
4. Follow the same steps to install the left base, securing all bases.

NOTE: Make sure the two metal pieces are aligned and on the same plane before inserting the cylindrical pin.



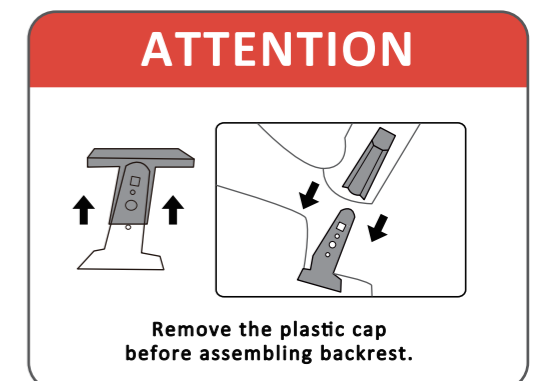
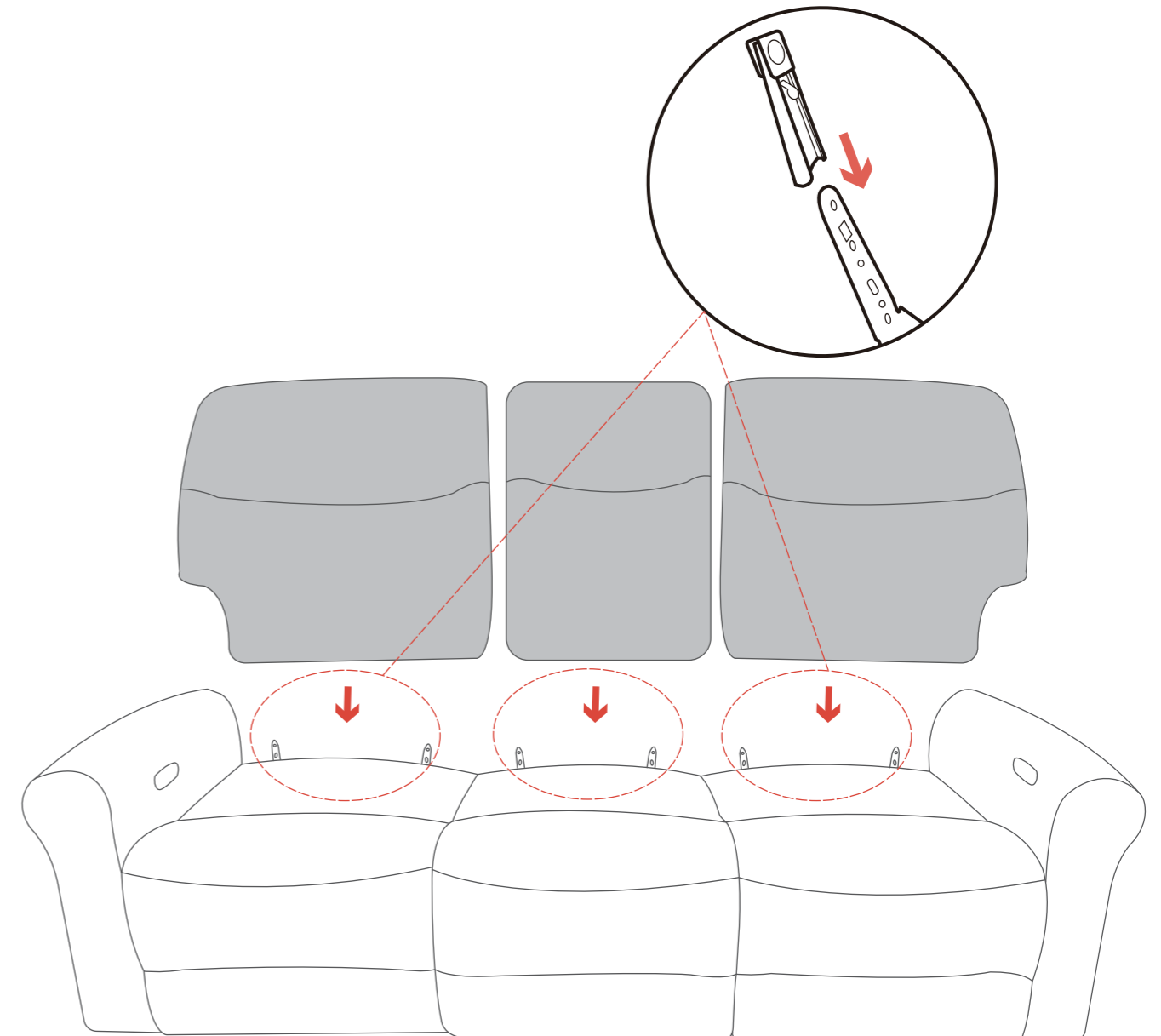
Step2 - Armrests Assembly

1. Align the brackets of armrest at the clips of the base (Figure).
2. Push firmly the brackets into the the base. Listen for a "click" on each side to ensure the armrest is locked in properly.



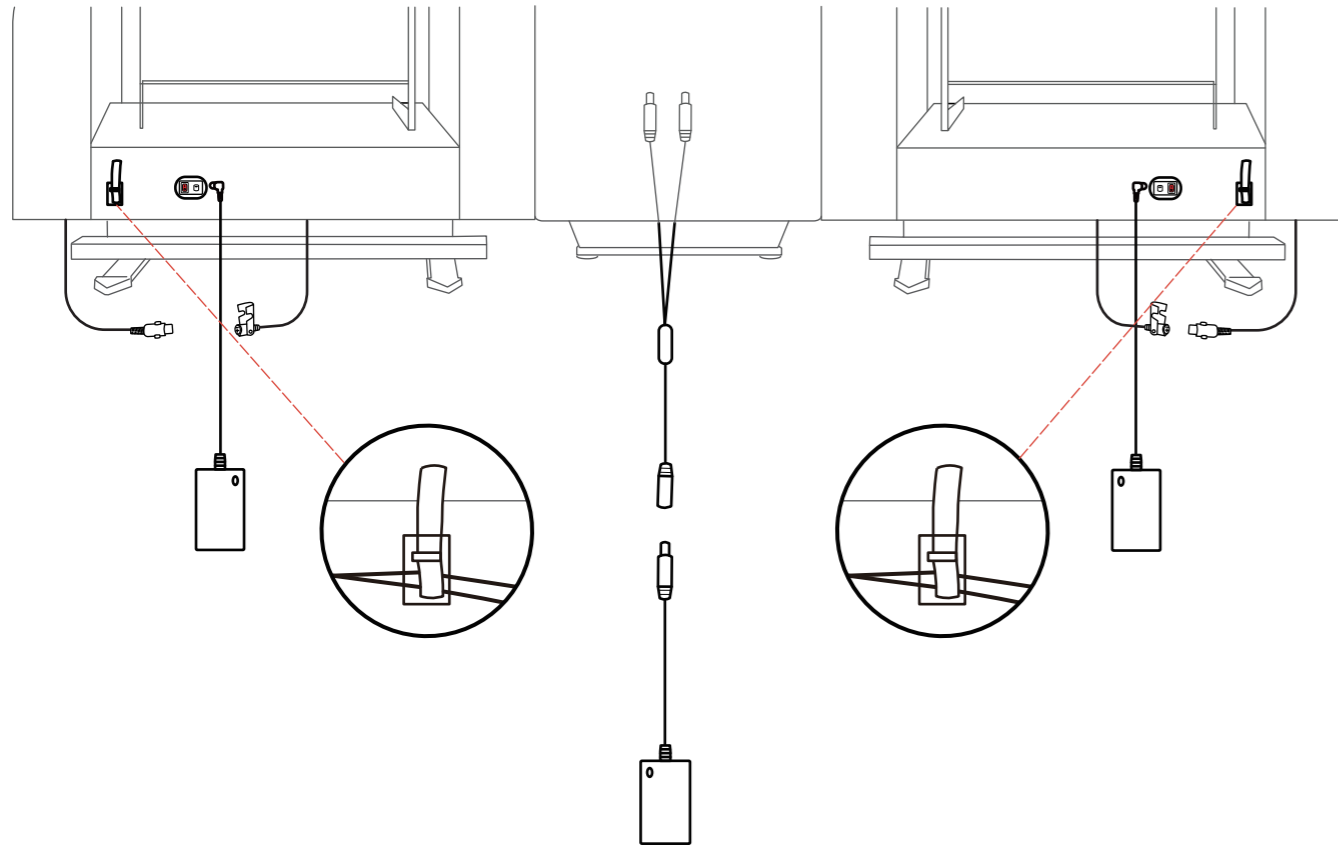
Step3 - Backrests Assembly

1. Align the brackets of the backrest at the clips of seat-back (Figure).
2. Push firmly the brackets into the seat-back. Listen for a "click" on each side to ensure the backrest is locked in properly.



Step4 - Product Connections

1. Connect the chairs according to the following wiring diagram (Figure).
2. Attach the chair-back to the velcro on the bottom of the chair base.



Step5 - Final Check

1. Make sure both metal brackets on each armrest are mounted on the base.
(There are two metal brackets on each side of the base, it looks like assembly is finished when you insert armrest into only one bracket instead of two, however all pressure will apply to one bracket, that is one likely reason that the armrest falls apart from the seat.)
2. Make sure the backrest inserts are locked to the base.
(Pull up the backrest to check if it is locked in place.)
3. Make sure all wires are connected tightly.
4. Make sure all wires are not placed at the bottom of the rack and will not be pressed by frame.
(If the wire is pressed by the frame, the wire will be broken by the frame and the sofa will stop working.)
5. Make sure all the screws are tightened.

III. OPERATING INSTRUCTIONS

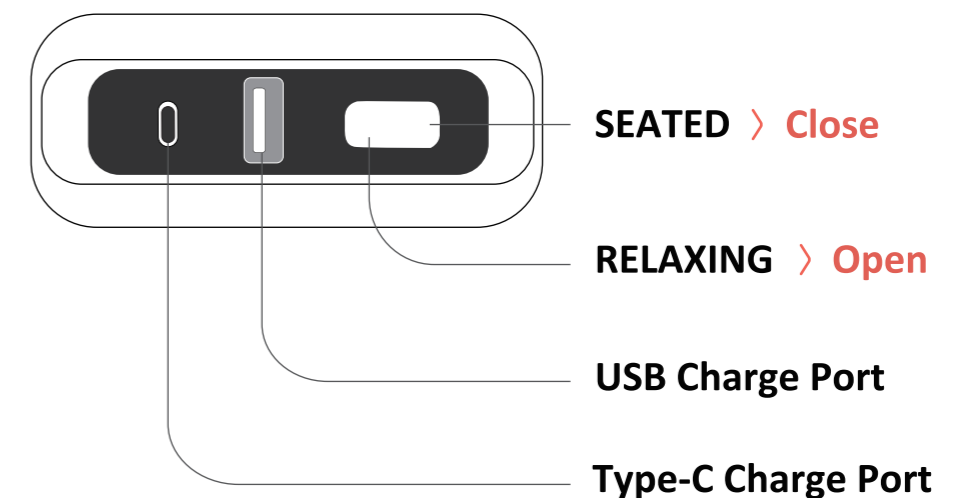
1. Operation Precautions

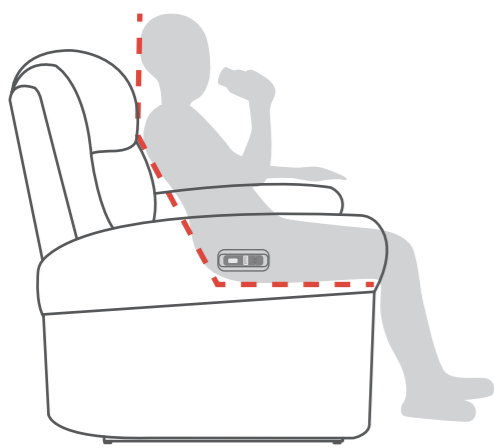
- Do not use an extension cord.
- Do not exceed recommended weight limit.
- Do not use attachments not recommended by the manufacturer.
- Do not use outdoors. INDOOR USE ONLY.
- Keep dry. Do not operate in a wet or moist environment.
- Keep all cords away from heated surfaces and pinch points.
- Always leave the product in an upright and closed position when not in use.
- Periodically check the control and all power cords for visible damage.
- Do not use the footrest as a seat, or for purposes outside its intended use.
- Do not lean or apply downward force to the seat-back while in recline position.

NOTE:

If you discover a problem at any point during the setup and positioning of your power recliner sofa, stop and contact the MCombo Customer Support immediately. To avoid personal injury or product damage, do not plug the unit into the electrical outlet until the problem is corrected and do not attempt to fix electrical problems by yourself.

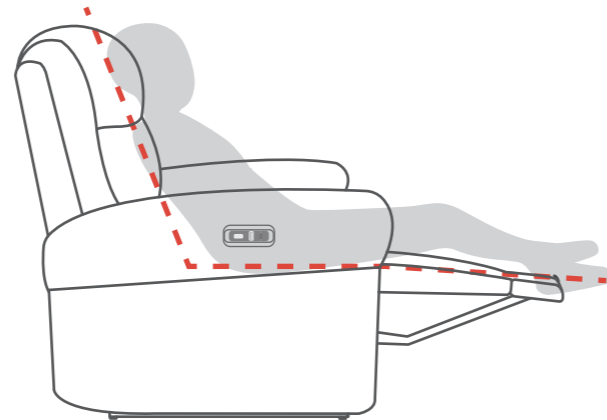
2. Control Buttons





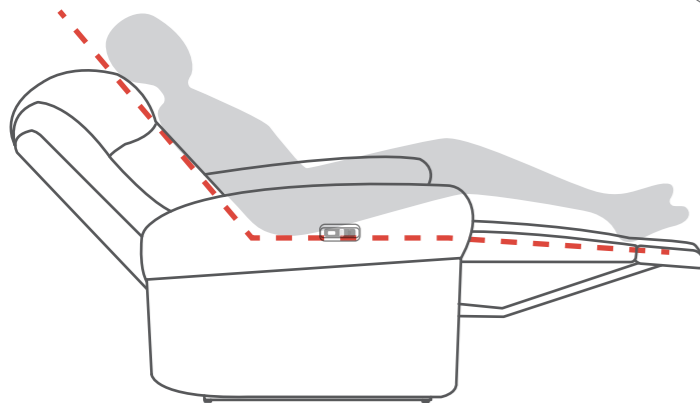
● Seated

When you want to take a short break, there is no need to operate the sofa you will get a comfortable experience.



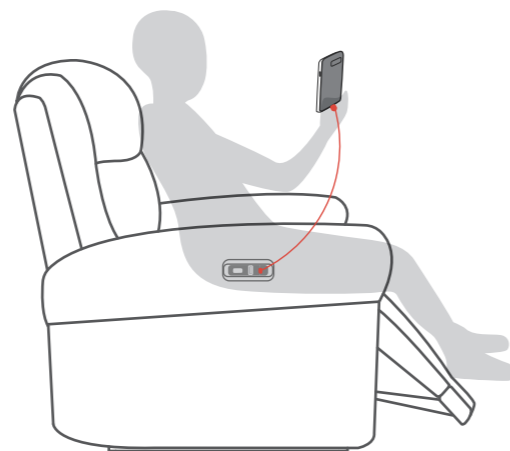
● Relaxing

When you want to relax, press and hold the open button to adjust the footstool position.



● Napping

When you want to take a nap, you can adjust the backrest to the right position while raising the footrest completely to relax.



● Reading

When you want to read in your spare time adjust your sofa and explore a whole new word.

IV. CARE AND MAINTENANCE

Your product will provide years of superior performance and satisfaction with regular care and maintenance. To maintain the finish quality of your "assistant", please follow the guidelines and cleaning procedures provided below.

■ Notice

- Do not place the product in direct sunlight, as sunlight causes fading.
- Do not smoke cigarettes while seated in or using the product.
- Avoid extreme changes in temperature by arranging the product away from radiators, heat and air vents.
- Do not use solvent-type cleaners to spot clean.
- Do not saturate fabric.
- Please be careful that pet scratch may cause fabric or leather break.

1. Fabric Care

- Inspect the fabric on a regular basis for any pulls, tears, or gaps.
- Frequent vacuuming or light brushing with a nonmetallic, stiff bristle brush to remove dust and grime is recommended.
- When liquid spills onto the fabric, please immediately wipe off liquid spills with a dry or lightly dampened clean white cloth, sponge, or paper towel.

2. Faux Leather Care

- Wipe leather down regularly with a clean, dry microfiber cloth.
- For more stubborn dust, dampen the cloth with distilled water. Make sure that the cloth is not soaking wet. Never let water soak into leather.
- Always be sure to use a soft cloth and never use an abrasive brush or scrubber as this can scratch and damage the leather.

3. Electronics Care

- Inspect all wiring harnesses to make sure they are not damaged or stuck under the product.
- Keep all the electronics free from moisture and temperature extremes.
- Check electrical components frequently for signs of corrosion and replace as necessary.
- Contact MCombo Customer Support if damage is present, do not fix it by yourself.

4. Disposal & Recycling

Your power recliner sofa must be disposed of according to applicable local and national statutory disposal regulations. Contact your local waste disposal agency for information on proper disposal of recliner sofa packaging, metal/wood frame components, fabric, electronic components.

V. TROUBLESHOOTING

The following troubleshooting FAQs should summarize what you need to know about your power recliner sofa. If at any time you do not feel comfortable performing the troubleshooting steps listed in this manual, please contact MCombo Customer Support for service.

Questions	Answers
What if my power recliner sofa does not operate at all?	<ul style="list-style-type: none">• Make sure all the connections at the bottom of the sofa are secured; refer to the Assembly Instructions.• Check all the electrical cords are not crimped or pinched.• Check if the GREEN light on the power adapter is on.• Check if the light of the RED button at the back of the base is on.
What if the reclining function doesn't work?	<ul style="list-style-type: none">• Check the electrical cords of the motor on the base are not crimped or pinched.• Check the rack frame of the recliner sofa is not broken.• Connect the power adapter, and armrest, separately to the good side to test whether they work properly.

Questions	Answers
What if the USB charge ports do not work?	<ul style="list-style-type: none"> • Make sure all the connections at the bottom of the chair are secured ; refer to the Assembly Instructions. • Check all the electrical cords are not crimped or pinched.
What if the armrest falls apart from base?	<ul style="list-style-type: none"> • Ensure the two connections on each armrest are both inserted onto the base tightly. • Check the brackets of armrest and base to ensure there is no defect.
What if my recliner sofa makes a clicking noise?	<ul style="list-style-type: none"> • Check to make sure the product frame, motor and wiring are intact. • Make sure the weight capacity of 350 lbs has not been exceeded.
What if my recliner tilted to one side?	<ul style="list-style-type: none"> • Make sure the rack of recliner sofa is in a good condition without any distortion.

NOTE:

If the product does not operate properly, please contact the MCombo Customer Support for help and never attempt to make any repairs or adjustments yourself.

VI. DISASSEMBLY INSTRUCTION

Notice

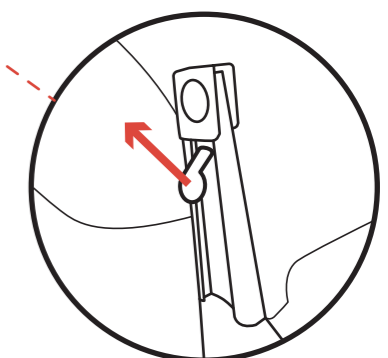
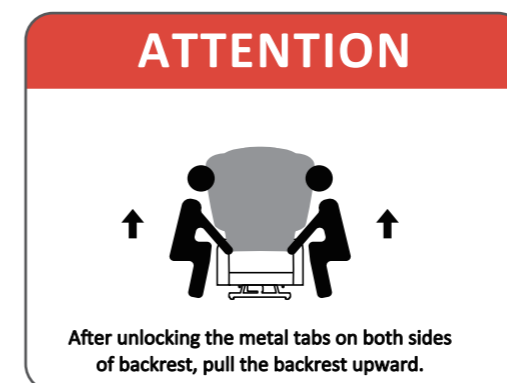
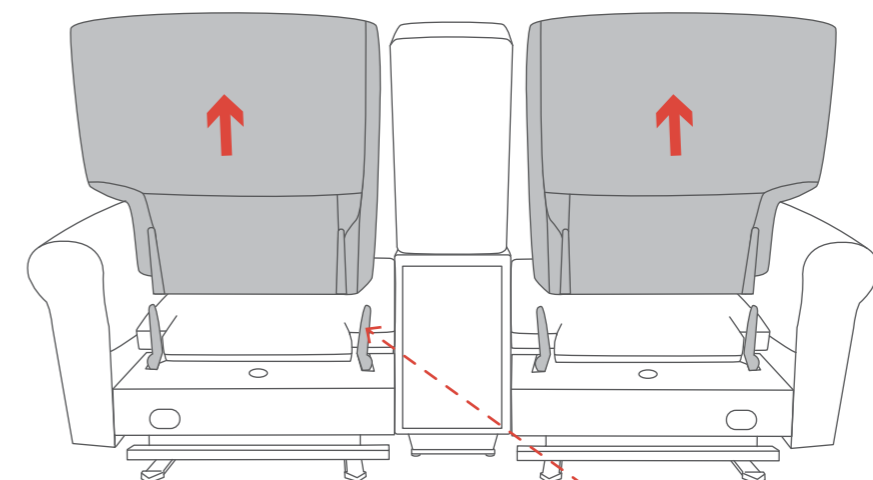
- If you have purchased the loveseat or sofa, you can disassemble it by referring to the following steps.
- Ensure the product is in seated position and its footrest return to original position.
- Please unplug the power cord before disassembling.
- Please refer to the installation steps from back to front and disassemble the product in reverse order.

Step1 - Disconnect all Connections

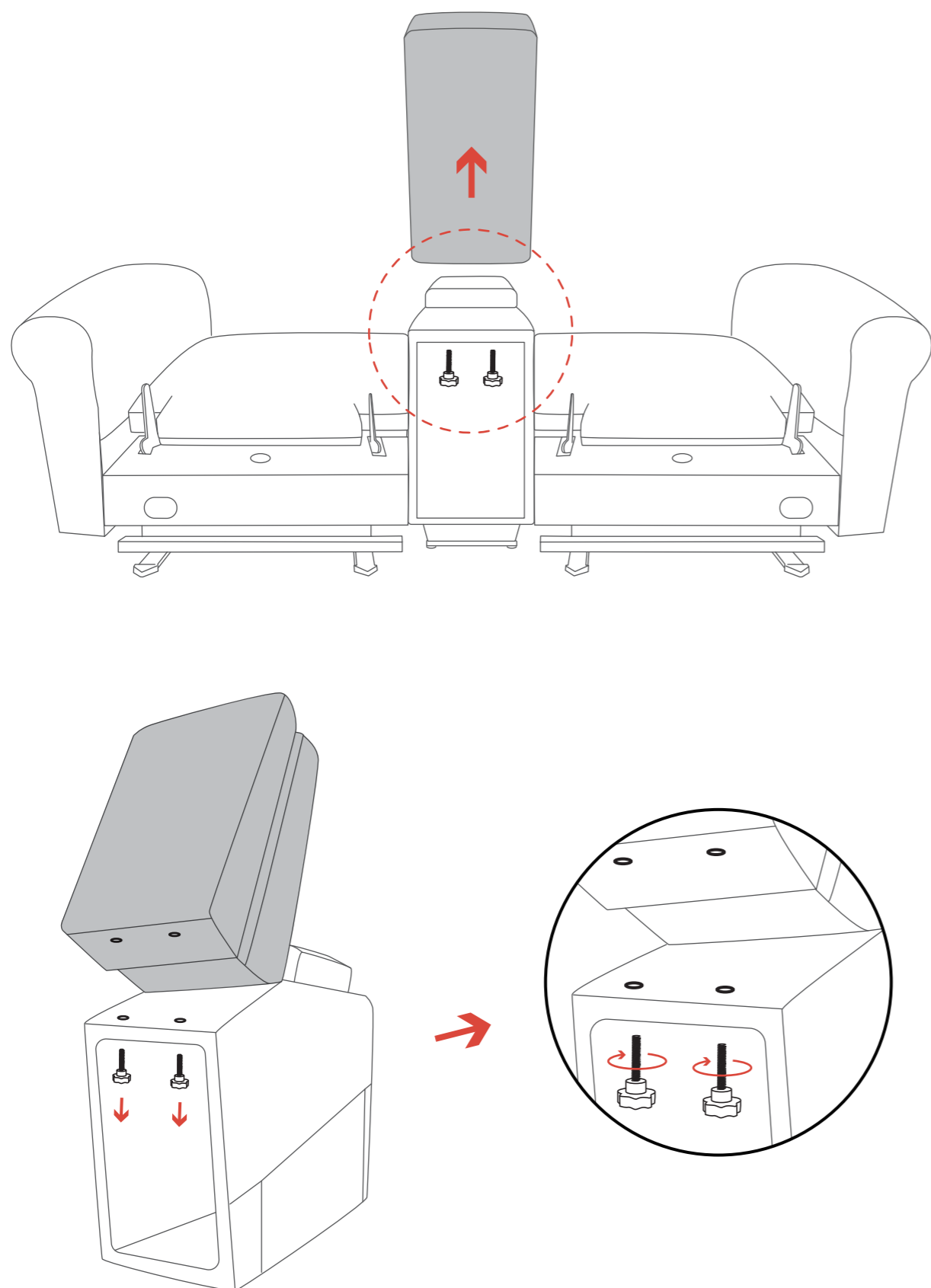
Please disconnect all connections on the chair base and backrest before disassembling.

Step2 - Disassemble Backrests

1. Pushing the metal ears of the backrest inserts outward (Refer to arrow direction).
2. After unlocking the metal lugs on both sides of the backrest, hold the bottom part of the backrest marked in the picture below and pull it vertically upward.



3. Remove the plastic cover screws to remove the console backrest from the storage console.

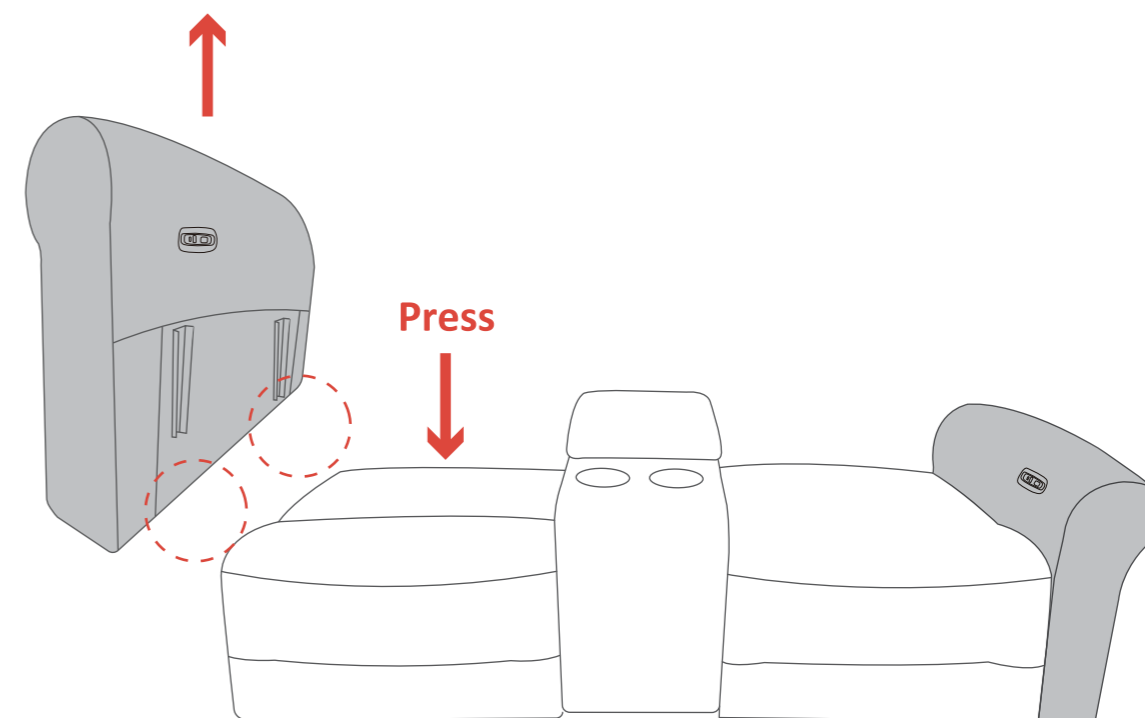


Step3 - Disassemble Armrests

■ Notice

1. Need to remove the backrest first.
2. It is best to remove armrest by two people.
3. When lifting the armrest, be sure to hold the bottom of the armrest to avoid damaging the handrail bag and cup holder.

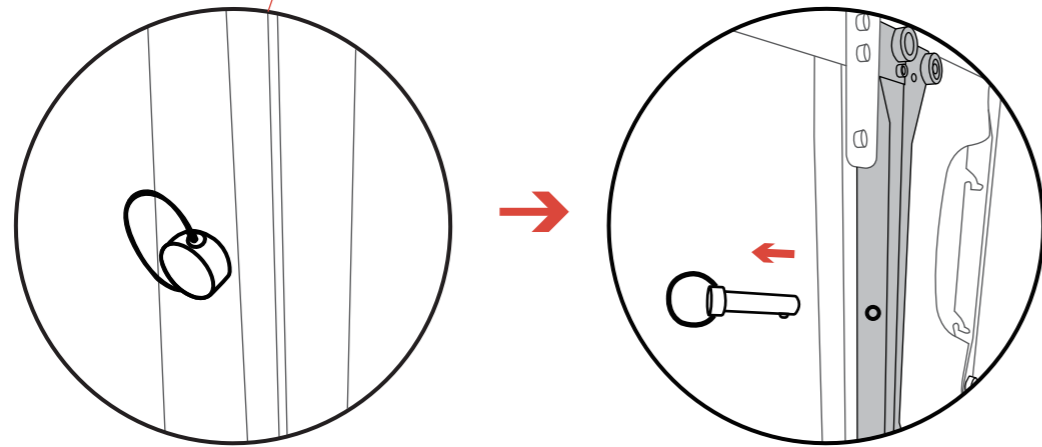
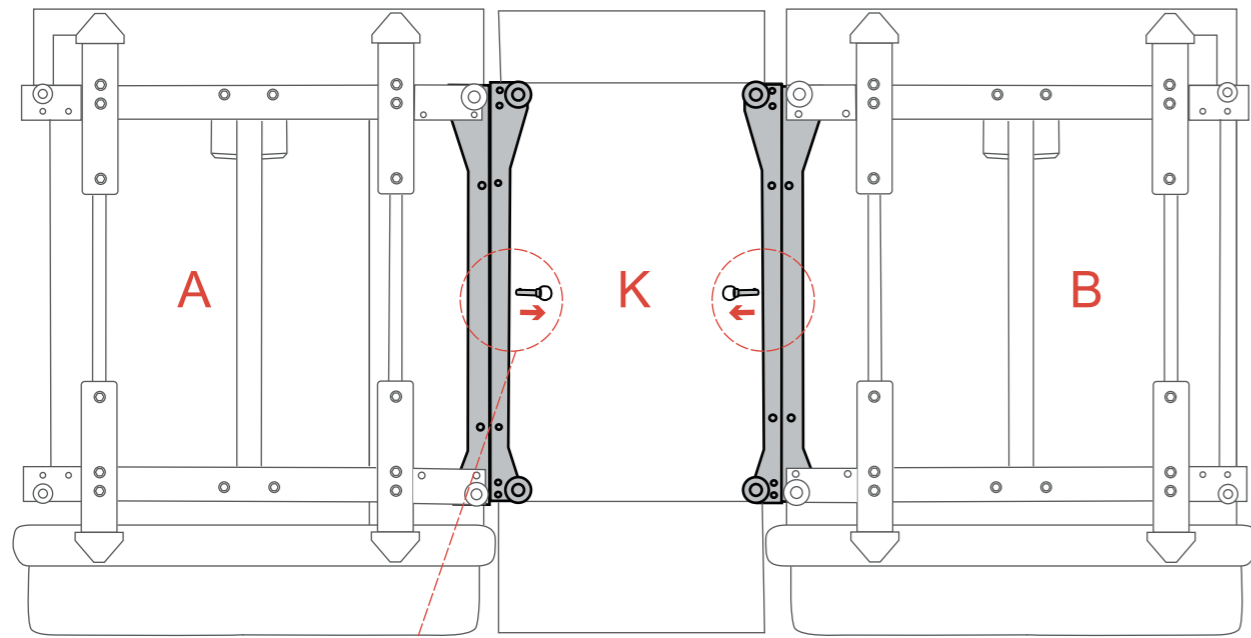
1. Use your knees to find a support point on the seat and press on the base with you strength.
2. Hold the two marked positions at the bottom of the armrest and lift the armrest upward.(Refer to arrow direction and the circular marking area.)



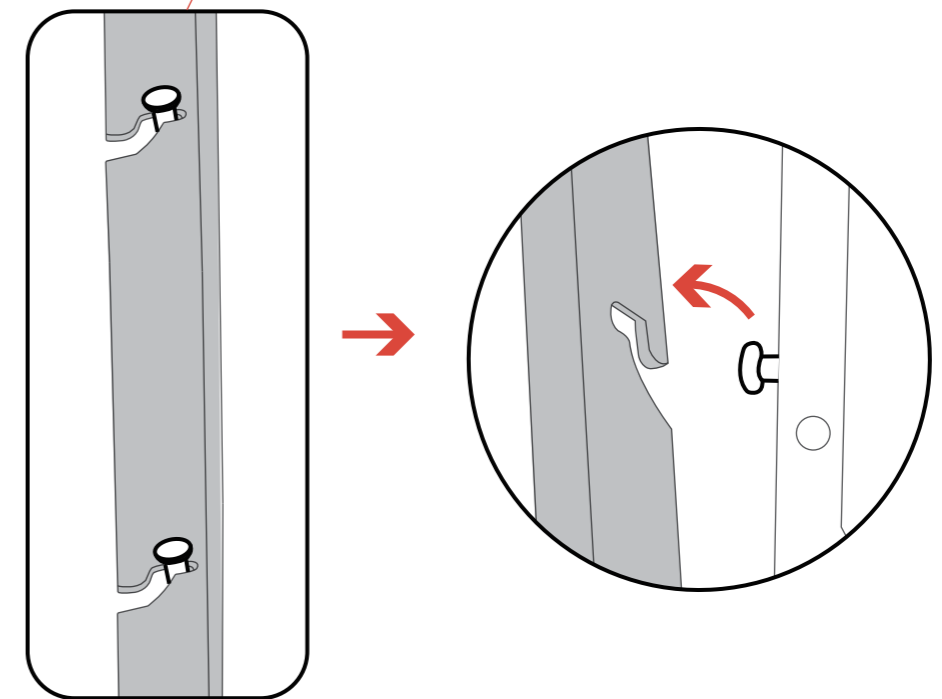
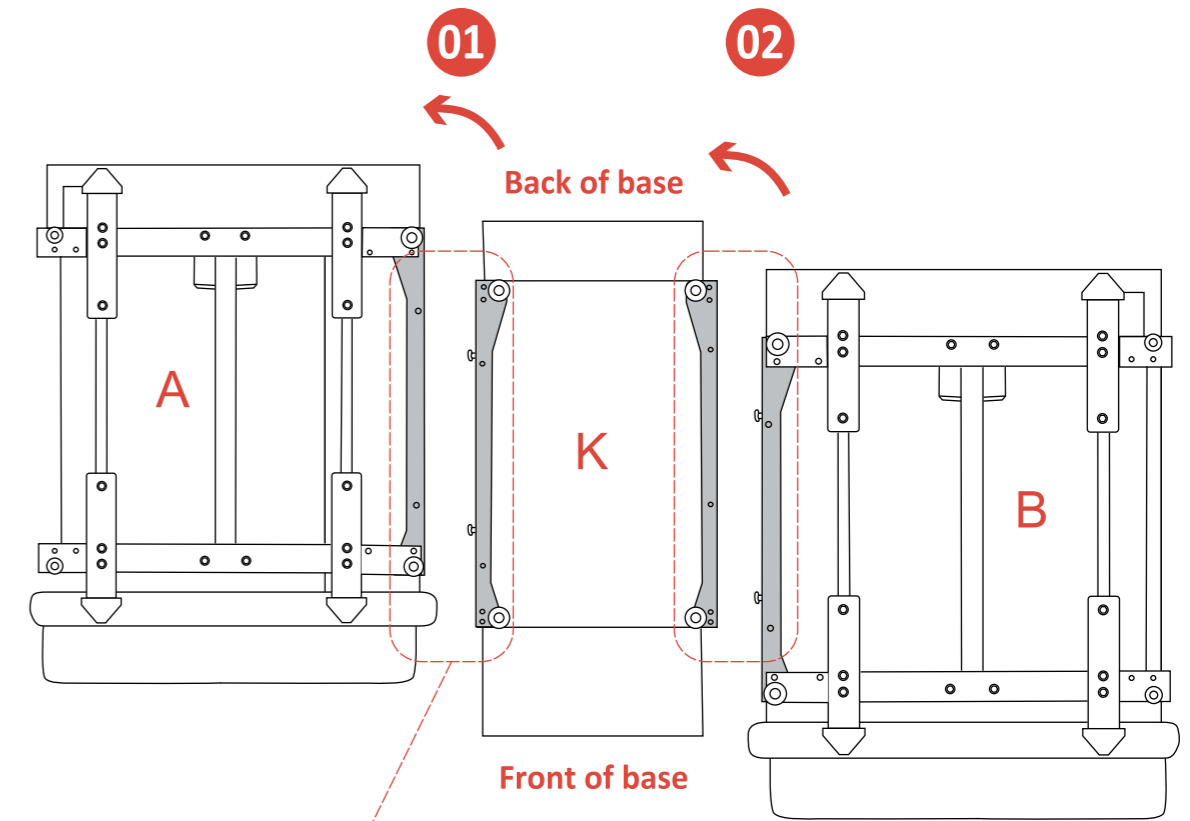
Step4 - Disassemble Bases

1. First, flip the two bases and the storage console forward, the footrests are facing down.
2. Remove the cylindrical pin between the left base frame and the console frame.

NOTE: For easier disassemble, please ensure that the footrests are facing down.



3. Lift the left base slightly upward and slide the two notches on the left base frame out of the protrusions to disassemble the left base.
4. Follow the same steps to disassemble the storage console from the right base.



VII. WARRANTY

■ Notice

- For product beyond the limited manufacturer warranty period and scope, we can also provide replacement service, but a basic charge will be charged according to the circumstances.
- The warranty only applies to our products and does not include any accessories or enhancements.
- Warranties are only valid in the 48 contiguous United States and are contingent upon the consumer operating the product according to the corresponding instruction manual.

Reclining Mechanism	★ 2 Year
Upholstery Material	★ 2 Year
Metal/ Wood Frame	★ 2 Year
Electronic Parts	★ 2 Year

CONSUMER WARRANTY LIMITATIONS AND EXCLUSIONS

All warranties begin on the date of delivery.

- We will replace the defective parts or send replacement product provided that the warranty parts have not been subjected to misuse, abuse or improper service by the consumer, for example, damaged wire arising in consequence of negligence or improper operation.
- Exclusions also include components with damage caused by:
 - Contamination
 - Abuse, misuse, accident, or negligence
 - Commercial use, or use other than normal
 - Improper operation, maintenance, or storage

NOTE:

We will pay standard shipping rates on all warranted parts for the first year. We can also sell you replacement part for a discount price when your product is out of warranty policy.

VIII. RETURN/ REPLACEMENT POLICY

■ Notice

Why don't we recommend returning the item by yourself?

- Huge cost- UPS/FedEx oversize fee.
- Need you to take the box to UPS/FedEx facility.

Return/ Replacement Policy

You have 30 days from the date of purchase to return any item purchased from our store. Please securely pack the item in its original packaging, including any accessories or manuals that came with the product. To initiate a return, please contact our customer service team

RETURN CONDITIONS

We accept the return of items that are in new, unused condition, with original tags attached and all original packaging and other components included. Refunds will be issued in the original form of payment for the price of the item, including taxes.

NOTE:

- Please keep the original packaging in case the product needs to be returned. If the original packaging is not available, the newly found packaging needs to meet the following size standard:
UPS/FedEx packaging size standard: (width+ height) * 2+ length< 128 inch.
- Please disassemble the product before you return it, otherwise there will be a huge cost as oversized and it could even exceed your order amount.
- Please do not purchase return label for a damaged/defective product by yourself.
- If you have any problem to return the product, please contact us immediately, we will do our best to help you with a reasonable solution.