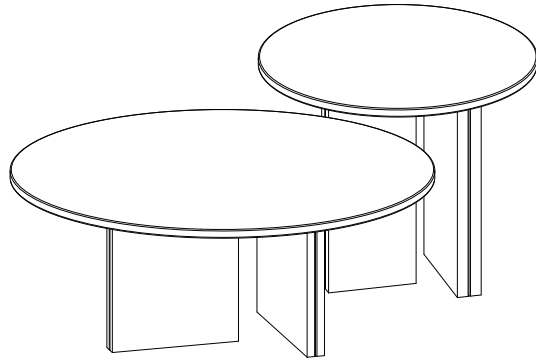


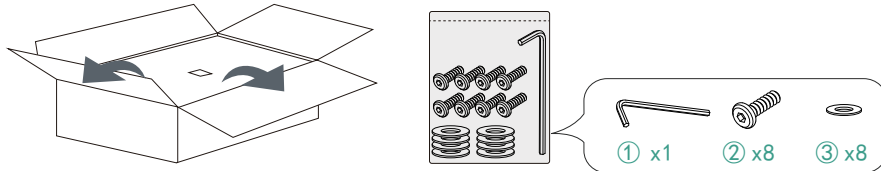
# Coffee Table Set Assembly instructions

Large table Ø70 h32 cm/27.6 h12.6 In, small table Ø45 h40 cm/17.7 h15.8 In

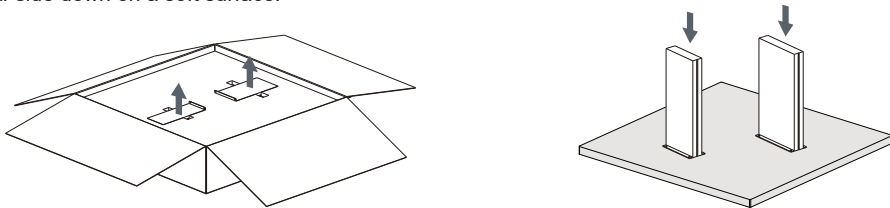


Let's start by assembling the smaller one

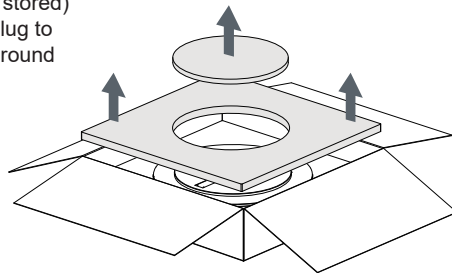
1. Upon opening the carton, you will find the accessory pack on the top layer. The pack contains 8 washers, 8 screws, and 1 hex key. Remove the accessory pack and take out the top foam layer.



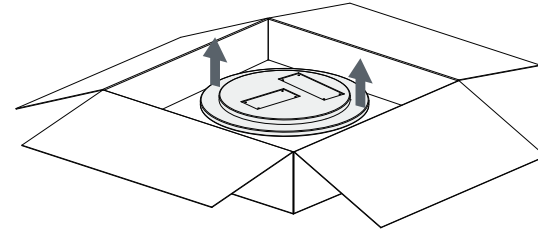
2. After removing the top foam layer, you will see 2 table legs. Take out the legs and place them gently metal-side down on a soft surface.



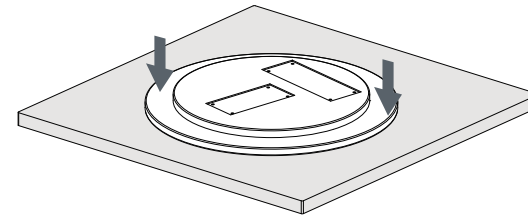
3. Remove the second foam layer (where the legs were stored) to locate a removable circular foam plug. Take out the plug to reveal the tabletop. Remove the outer protective foam around the tabletop to fully expose it.



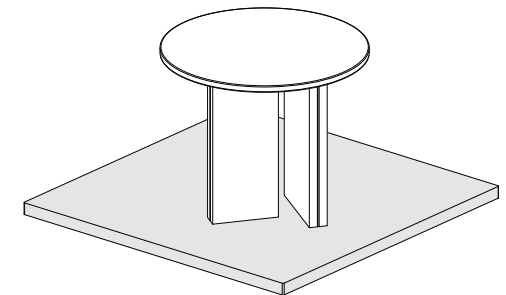
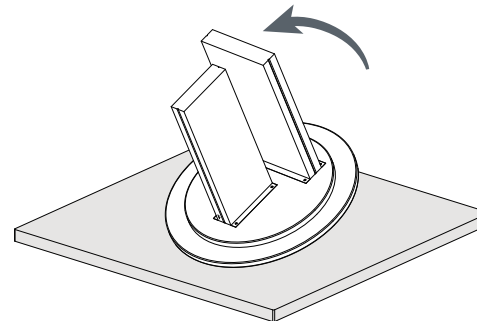
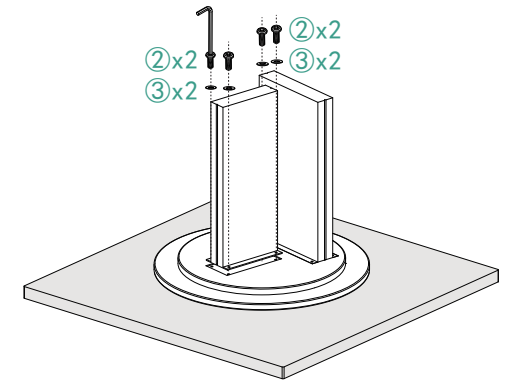
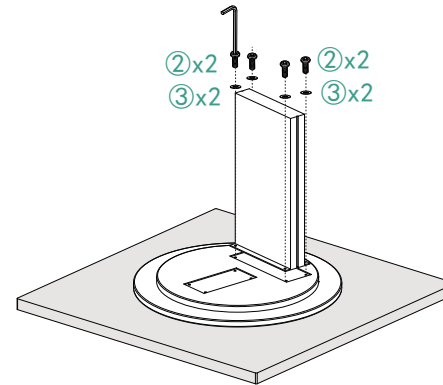
4. Lift out the tabletop: For the smallest size (45cm diameter), one person can carry the tabletop. For the 70cm diameters, at least two people must lift the tabletop gently.



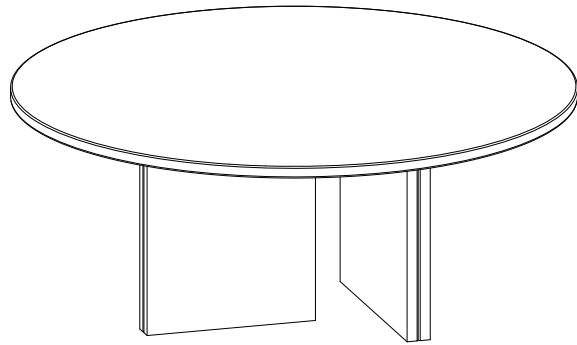
5. After removing the tabletop, place it face-down on the first foam layer for assembly. Do not place it directly on hard surfaces to avoid scratches or damage.



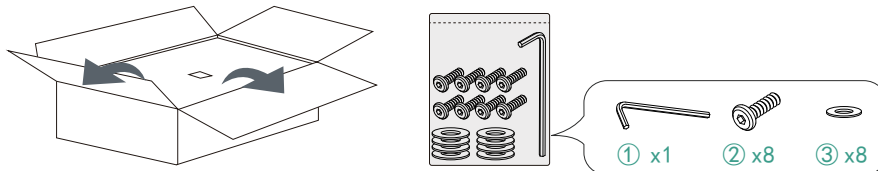
6. Position the 2 legs on the corresponding areas of the tabletop's underside. Secure the screws by first placing the washers, then tightening the screws. Flip the table upright once all screws are fastened.



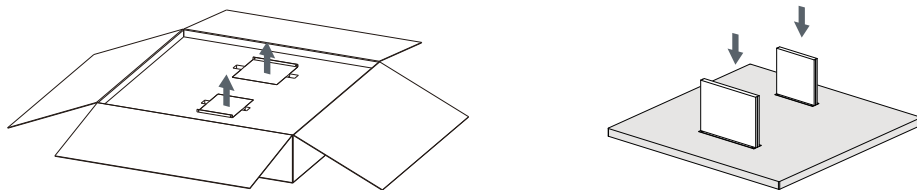
After finishing the small coffee table assembly, let's move on to the large one.



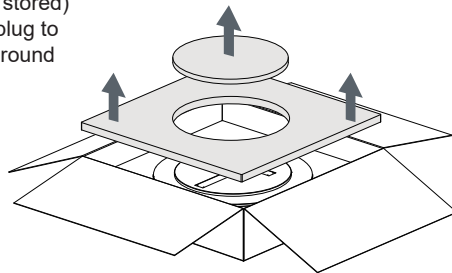
1. Upon opening the carton, you will find the accessory pack on the top layer. The pack contains 8 washers, 8 screws, and 1 hex key. Remove the accessory pack and take out the top foam layer.



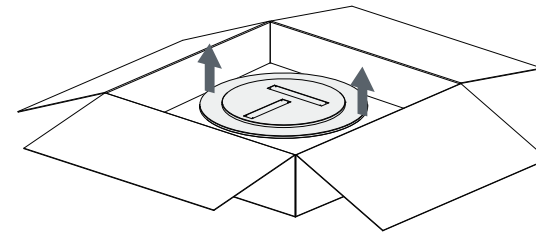
2. After removing the top foam layer, you will see 2 table legs. Take out the legs and place them gently metal-side down on a soft surface.



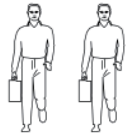
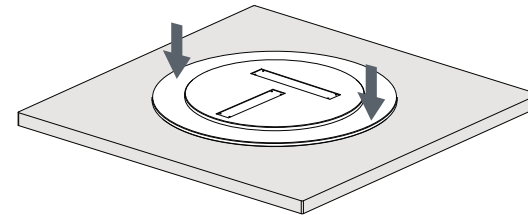
3. Remove the second foam layer (where the legs were stored) to locate a removable circular foam plug. Take out the plug to reveal the tabletop. Remove the outer protective foam around the tabletop to fully expose it.



4. Lift out the tabletop: **At least two people must lift the tabletop gently.**



5. After removing the tabletop, place it face-down on the first foam layer for assembly. Do not place it directly on hard surfaces to avoid scratches or damage.



6. Position the 2 legs on the corresponding areas of the tabletop's underside. Secure the screws by first placing the washers, then tightening the screws. Flip the table upright once all screws are fastened.

