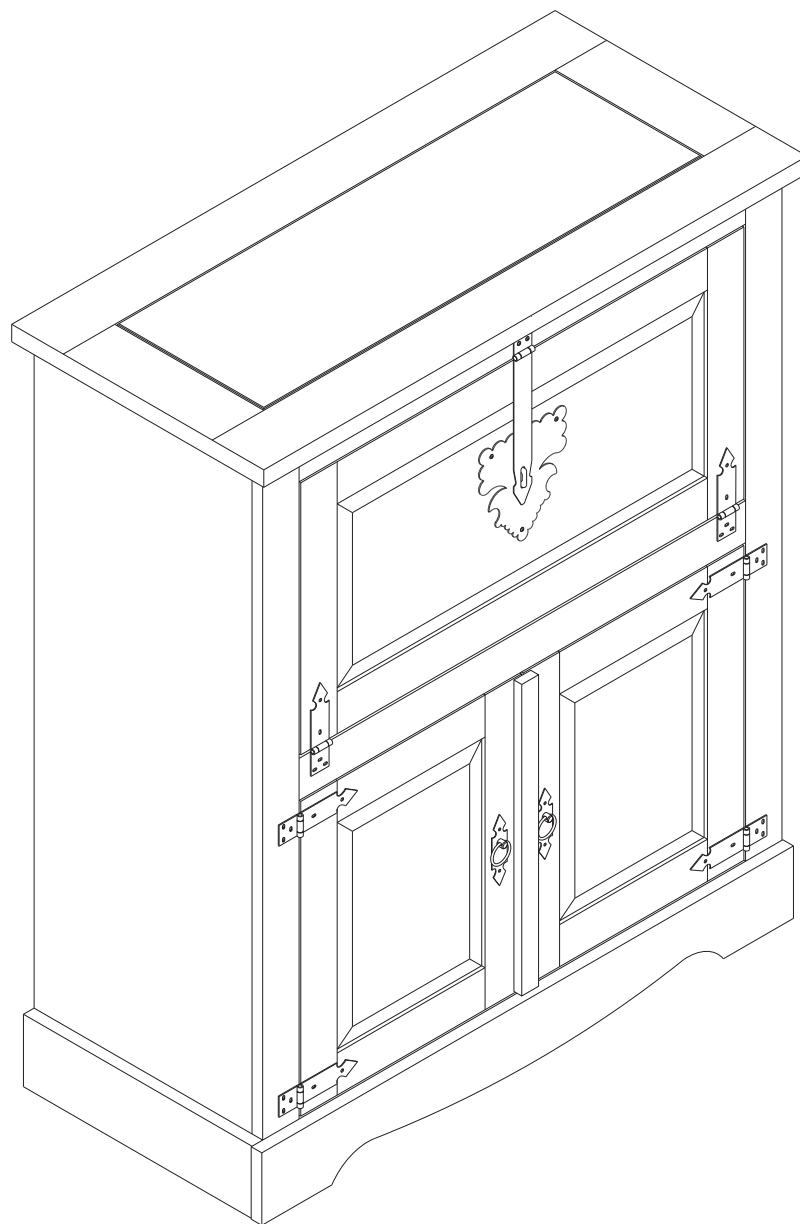
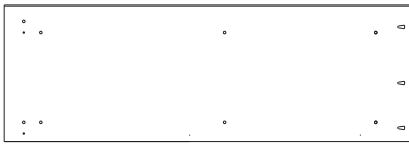
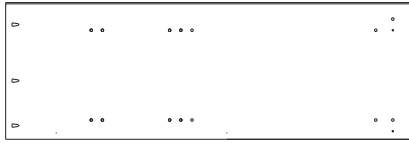


BAR CABINET

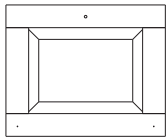




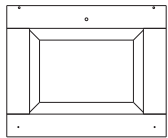
1 1162x390x15 mm



2 1162x390x15 mm



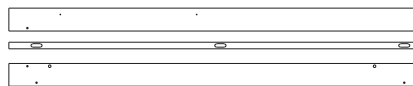
3 455x375x19 mm



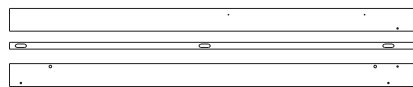
4 455x375x19 mm



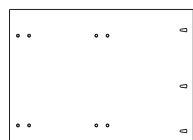
5 2x
1080x435x3 mm



6 1162x65x19 mm



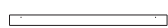
7 1162x65x19 mm



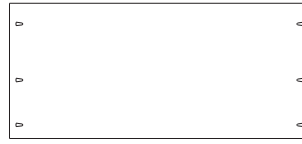
8 525x386x15 mm



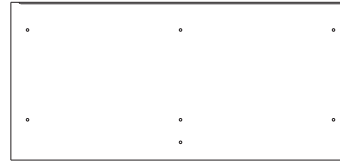
9 2x
422x65x19 mm



10 450x30x15 mm



11 859x386x15 mm



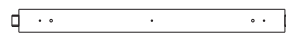
12 970x450x27 mm



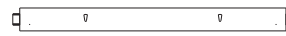
13 859x386x15 mm



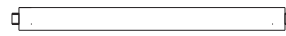
14 949x112x28 mm



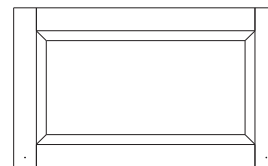
15 800x65x19 mm



16 800x65x19 mm



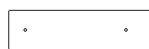
17 800x65x19 mm



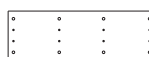
18 754x454x19 mm



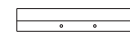
19 508x20x14 mm



20 2x
408x112x28 mm



21 419x140x15 mm



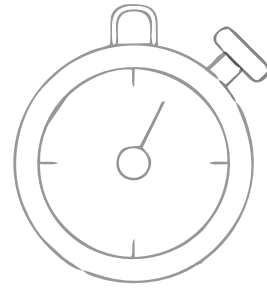
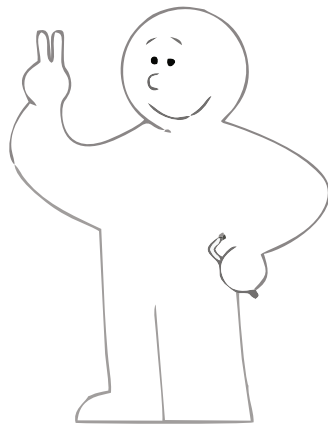
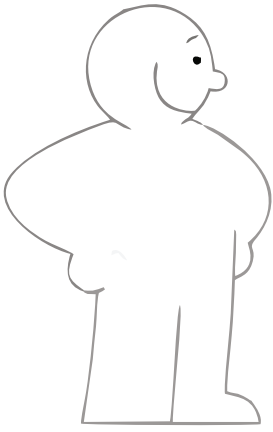
22 2x
350x65x28 mm



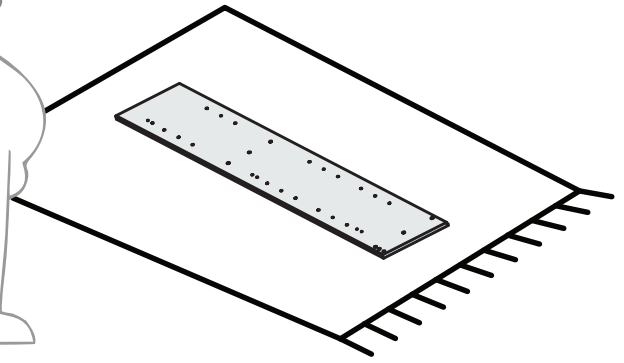
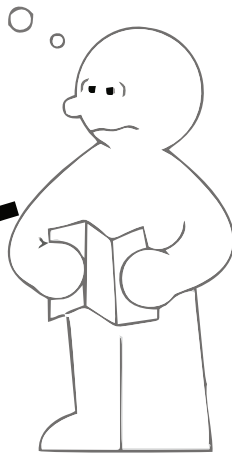
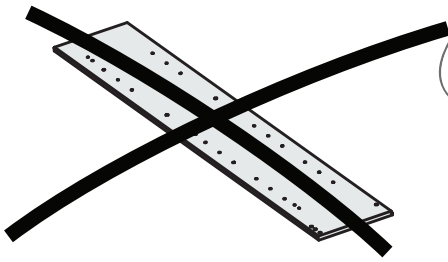
23 2x
422x65x19 mm



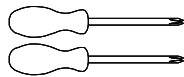
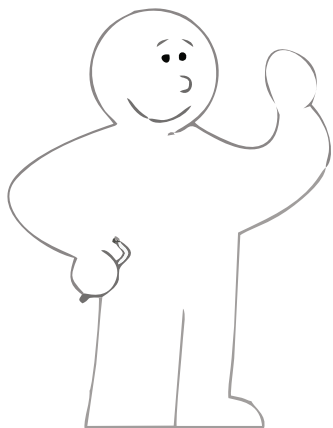
24 2x
350x92x28 mm



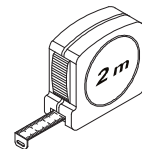
40 Min



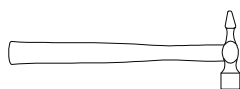
Tools required



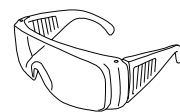
Phillips screwdriver
(medium & large)



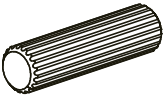
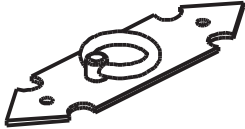




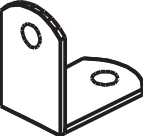
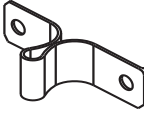
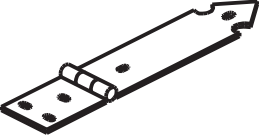
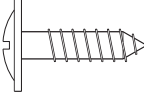
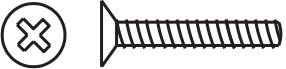

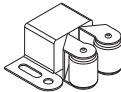
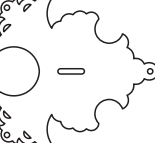
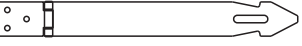



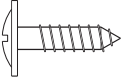
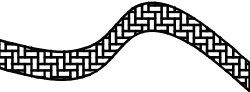
Ruler/tape
measure



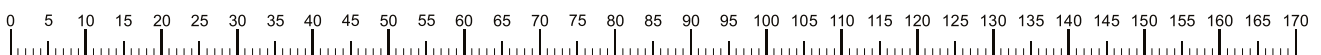
Small
hammer



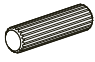
Eye protection
(when using a
hammer or glue)

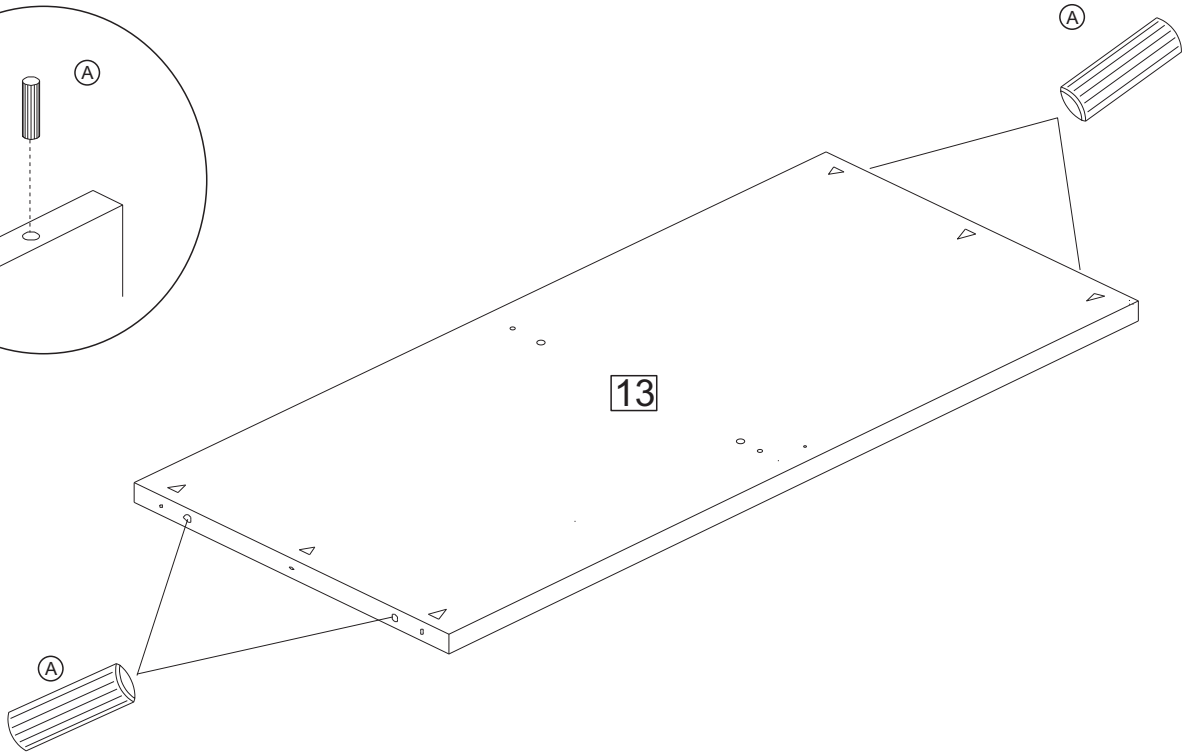
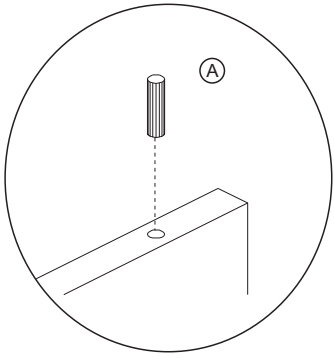
A	 8x30mm	55	B		02
C	 4,0x30 mm	30	D	 3,5x30 mm	14
E	 3,5x14 mm	57	F	 8x8 mm	40
G		05	H		01
I		06	J	 4,0x16 mm	04
K	 8x19 mm	02	L	 Ø 12mm	06
M		01	N		01
O		01	P		01
Q		02	R		05
S	 3,5x12 mm	03	T		02

Ruler - Use this ruler to help correctly identify the screws

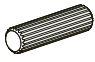


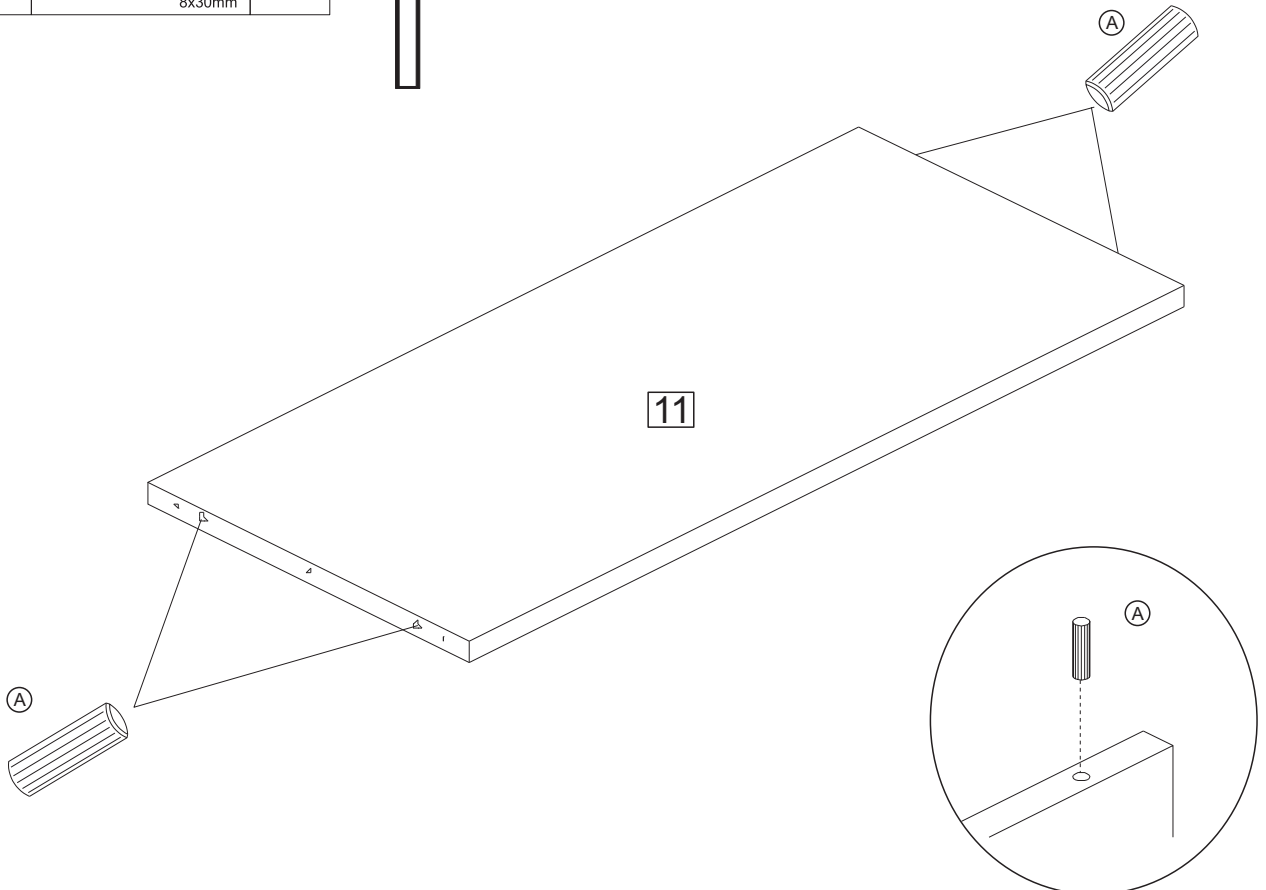
1

A		04
	8x30mm	

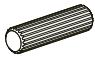




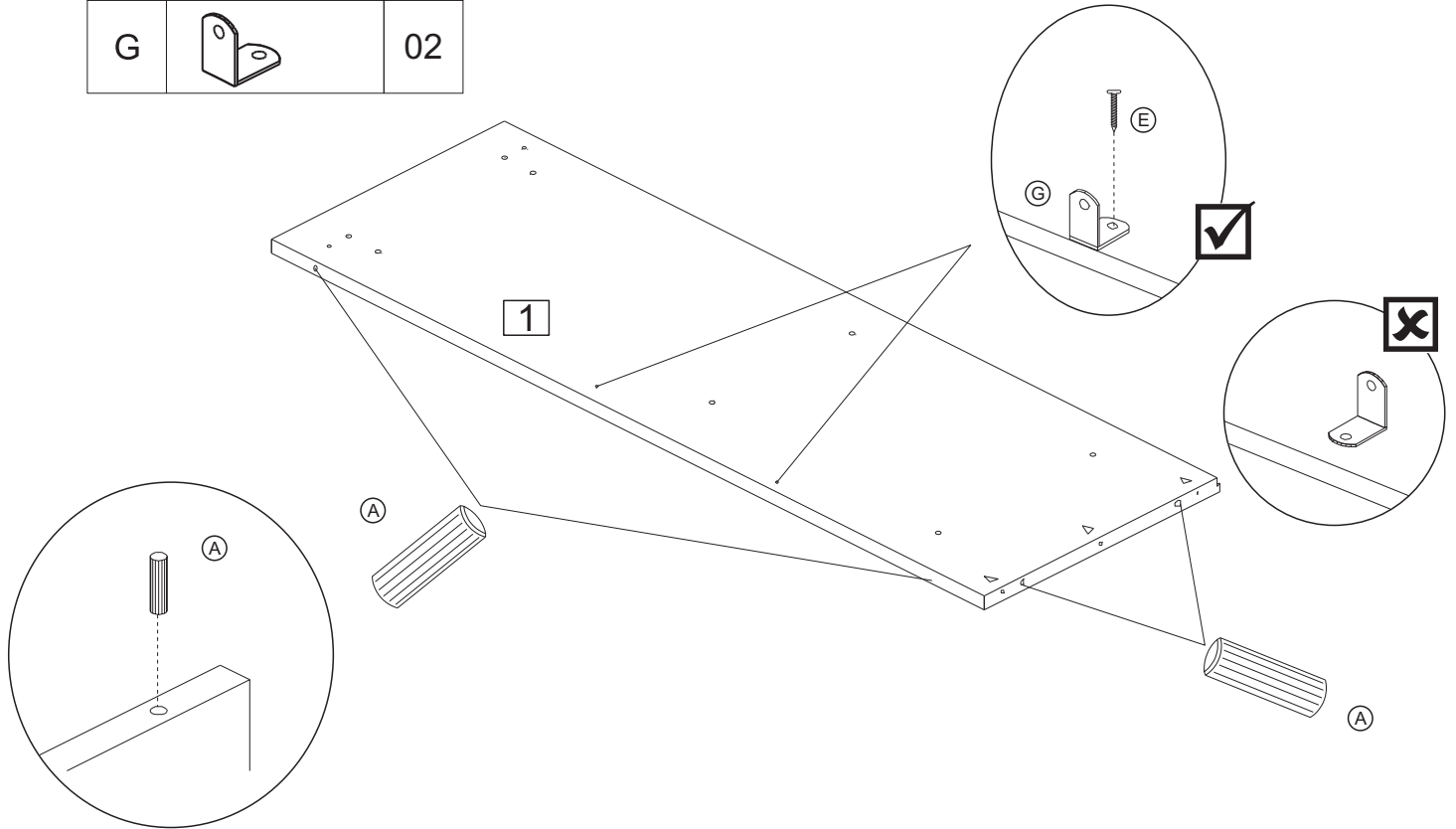
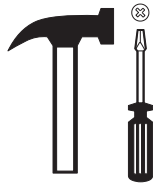
2

A		04
	8x30mm	

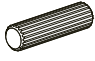




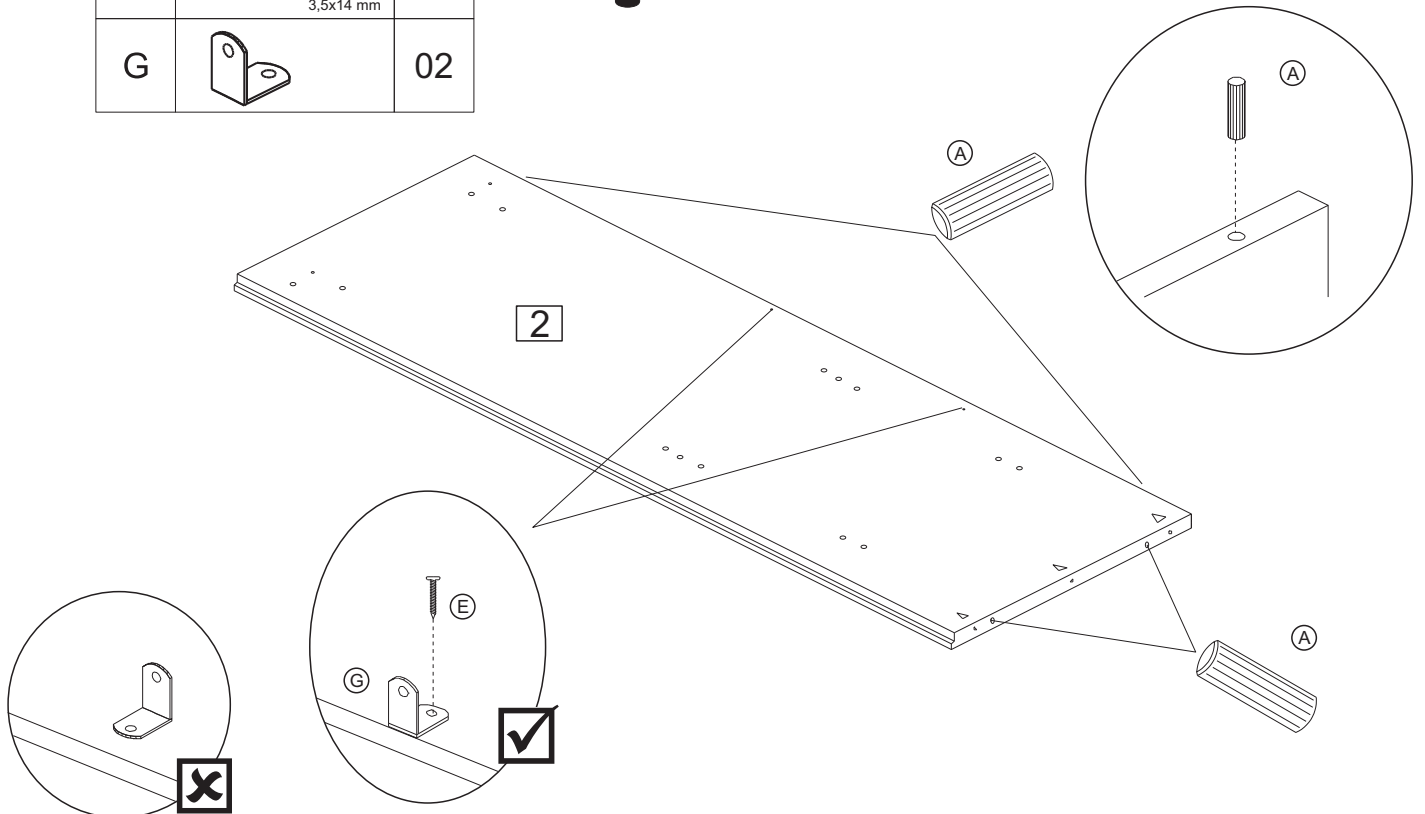
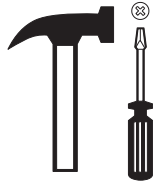
3

A	 8x30mm	04
E	 3,5x14 mm	02
G		02

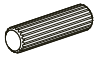


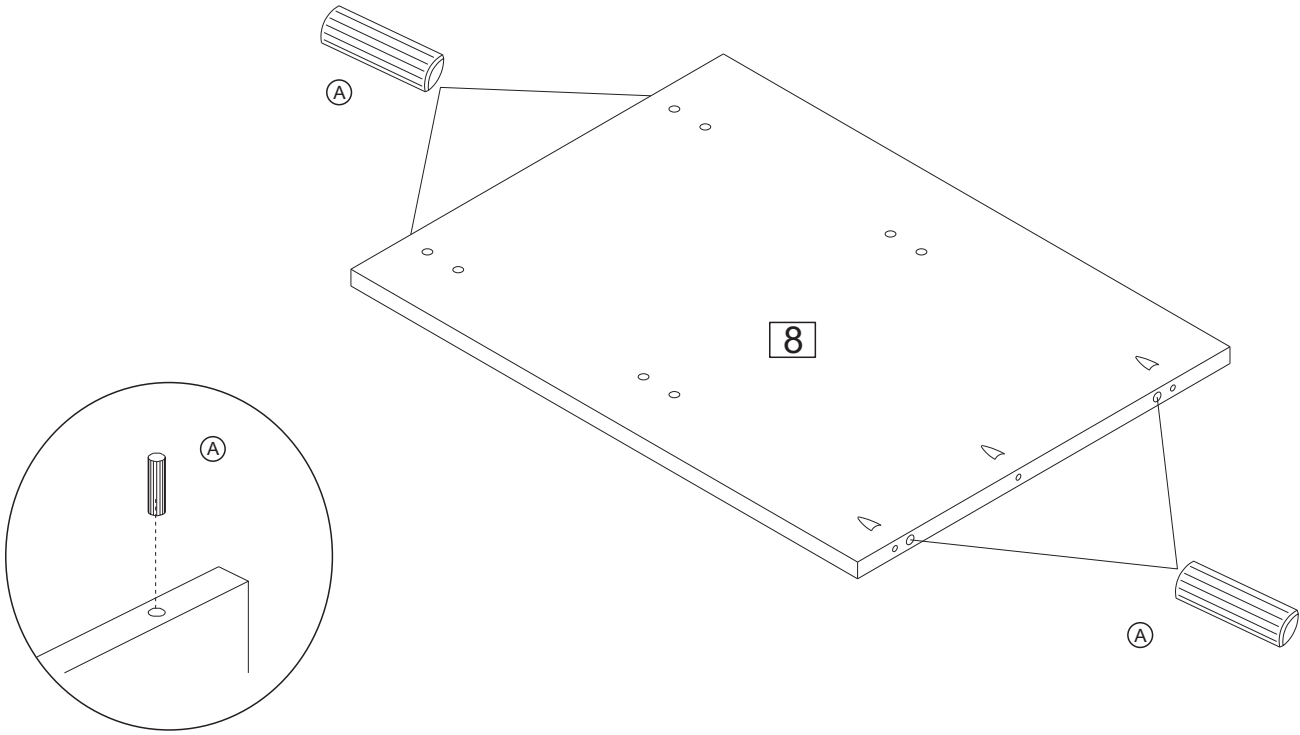
4

A	 8x30mm	04
E	 3,5x14 mm	02
G		02

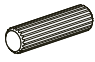


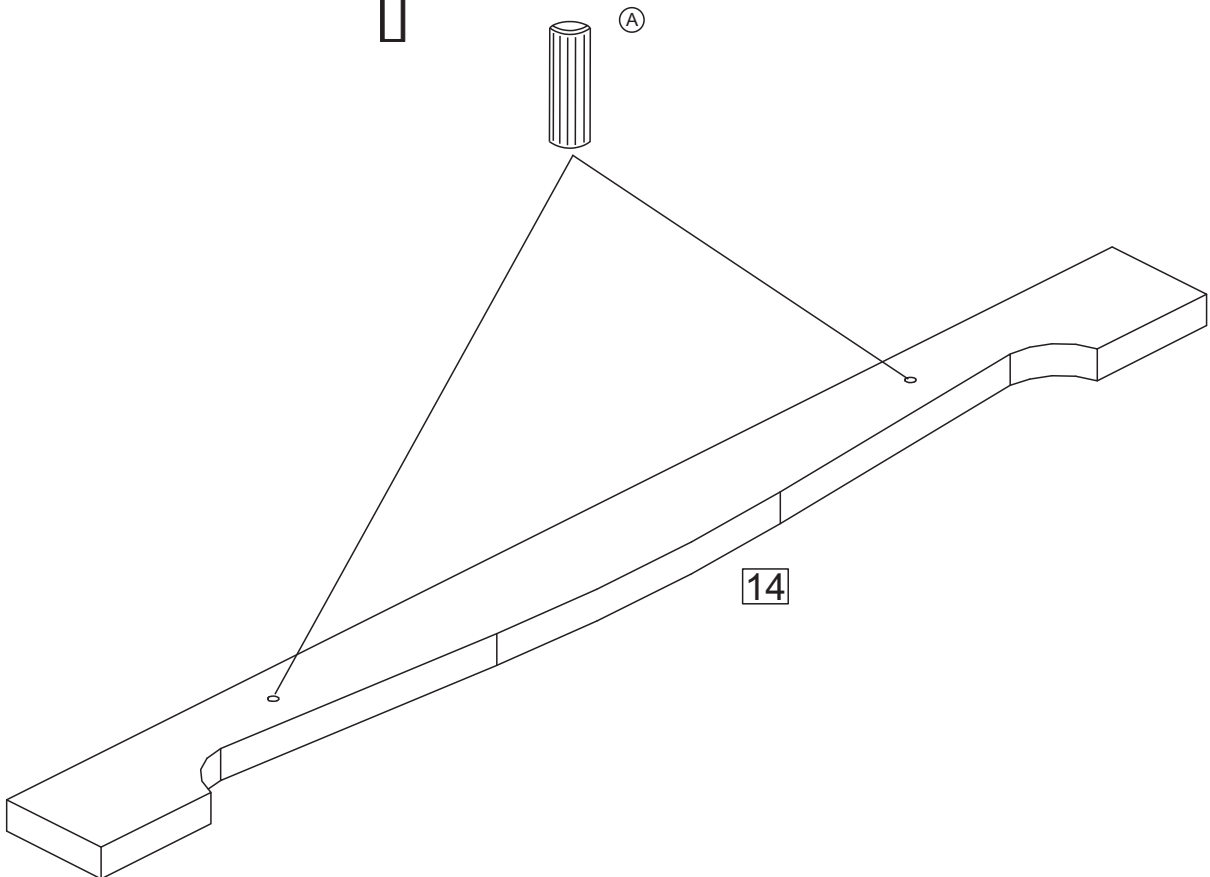
5

A		04
	8x30mm	

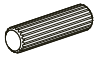


6

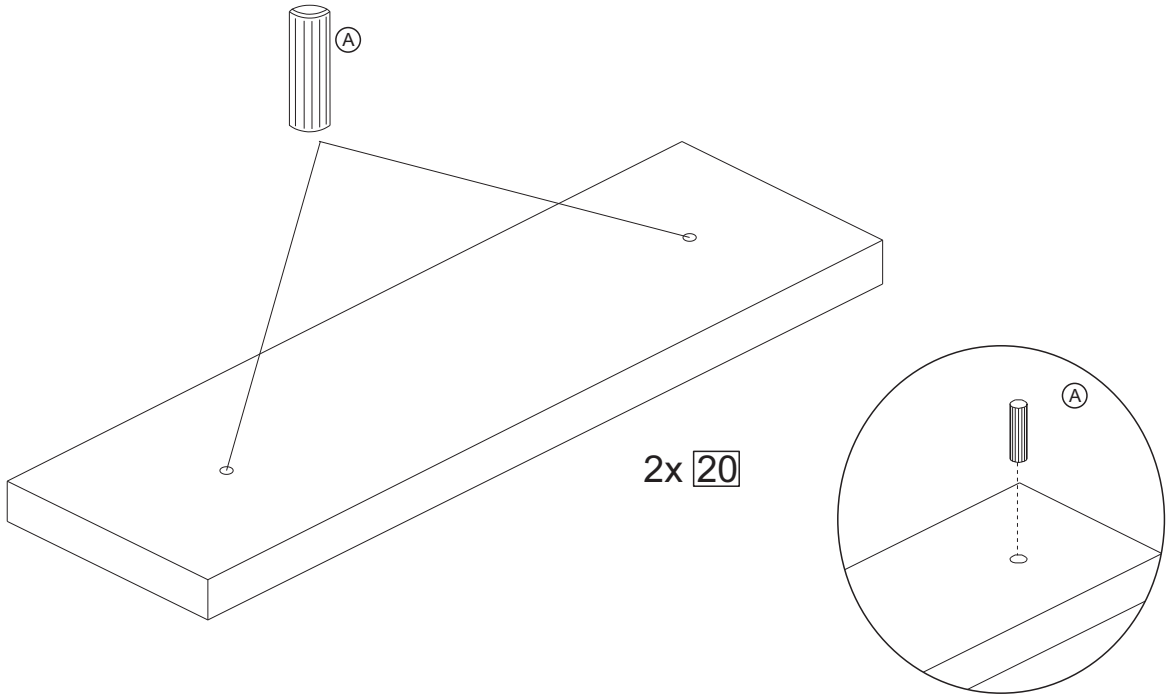
A		02
	8x30mm	



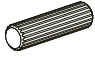
7

A		04
---	--	----

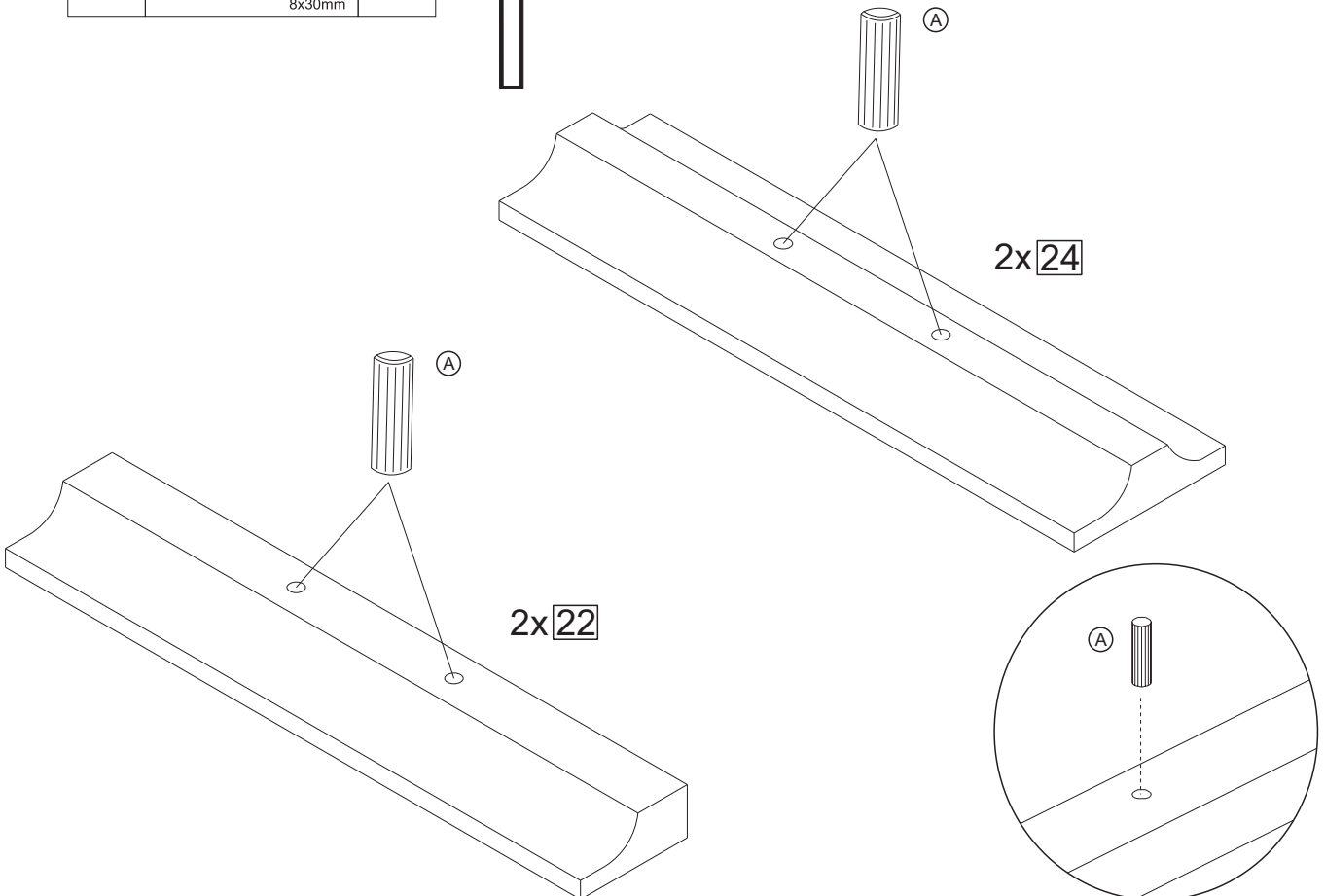
8x30mm




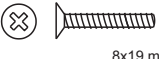
8



A		08
---	---	----

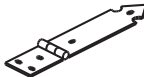
8x30mm

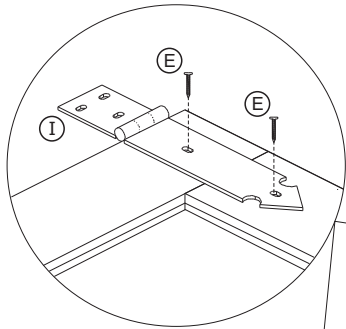


9

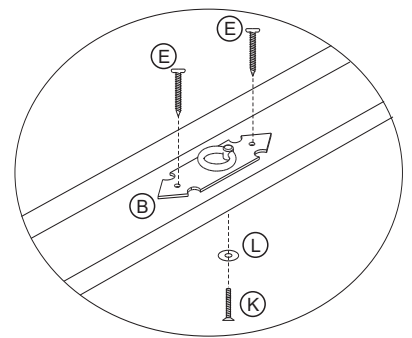
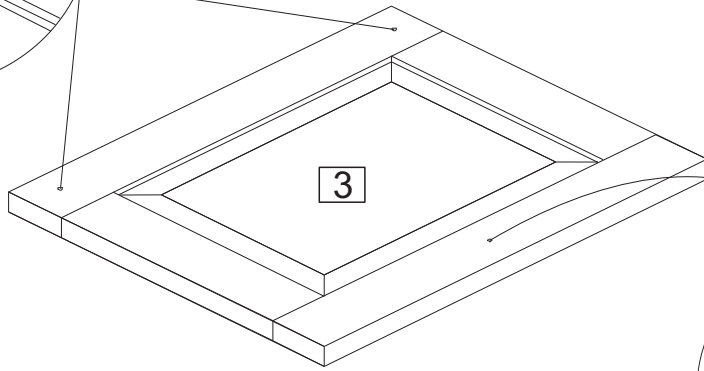
B		01
K	 8x19 mm	01

E	 3,5x14 mm	06
L	 Ø 12mm	01


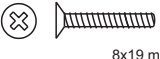
I		02
---	--	----





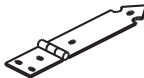
Left



10

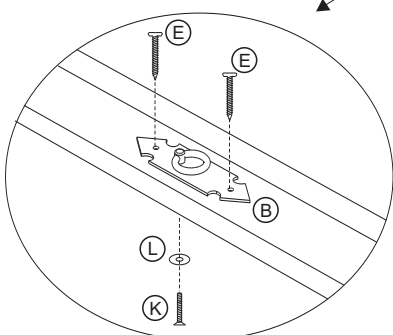
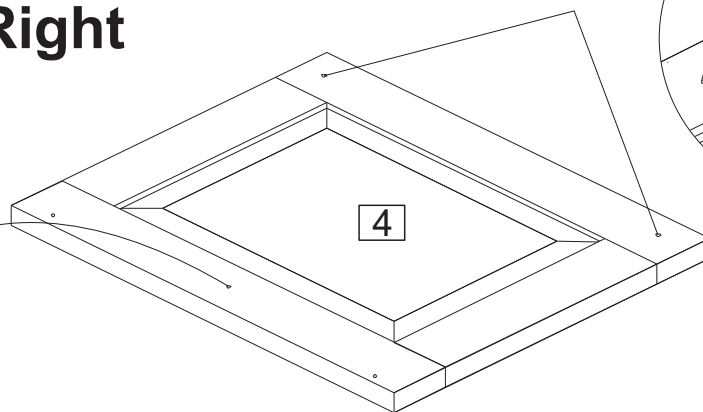
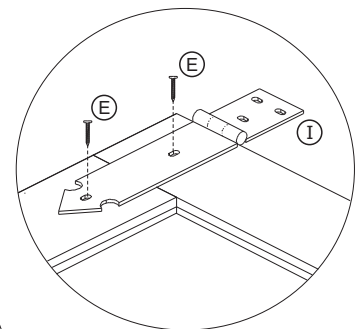
B		01
K	 8x19 mm	01

E	 3,5x14 mm	06
L	 Ø 12mm	01


I		02
---	---	----

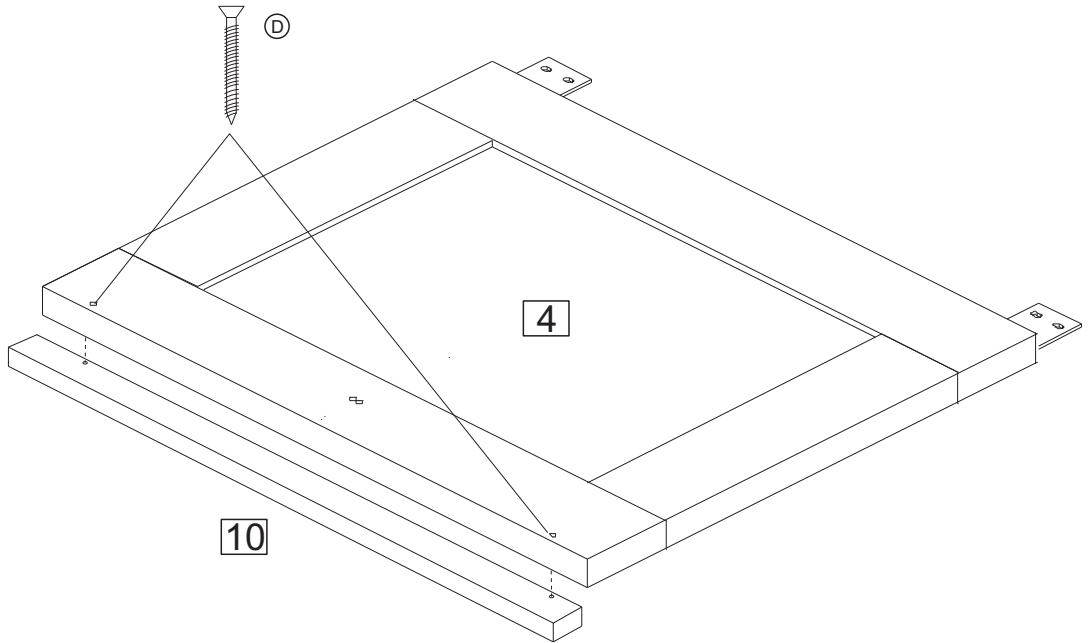


Right





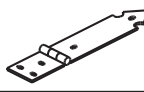
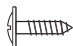
11

D	 3,5x30 mm	02
---	---	----

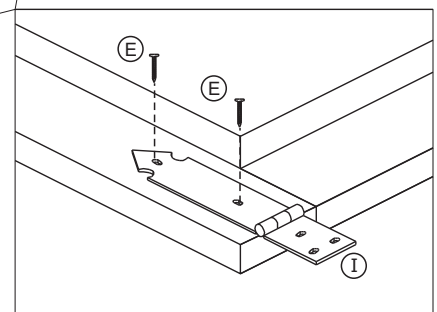
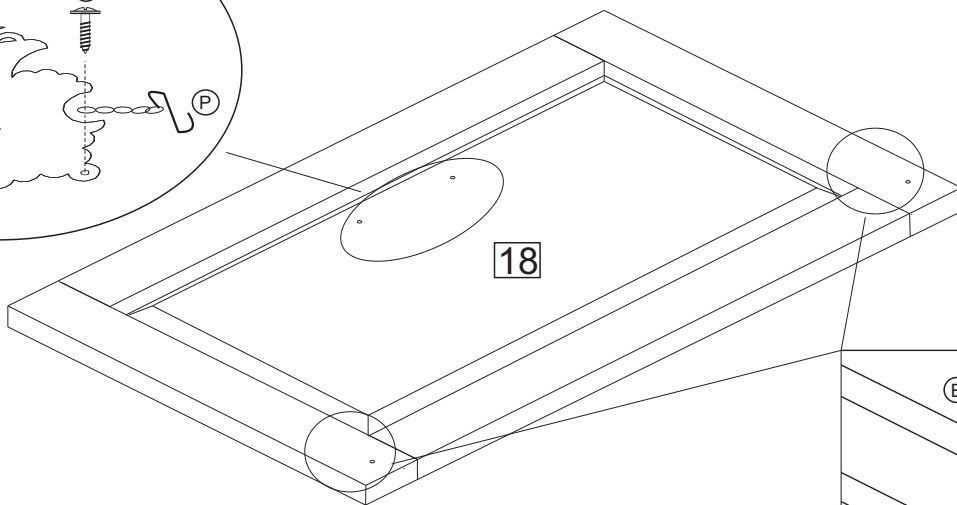
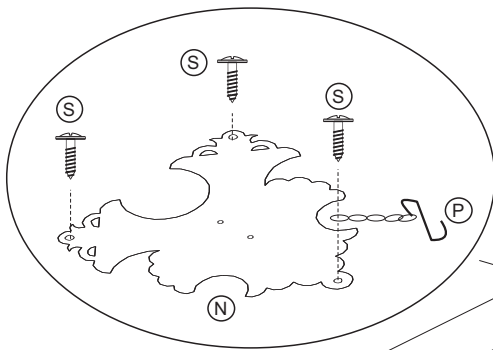


12



E	 3,5x14 mm	04
P		01

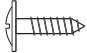
I		02
S	 3,5x12 mm	03

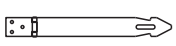
N		01
---	---	----

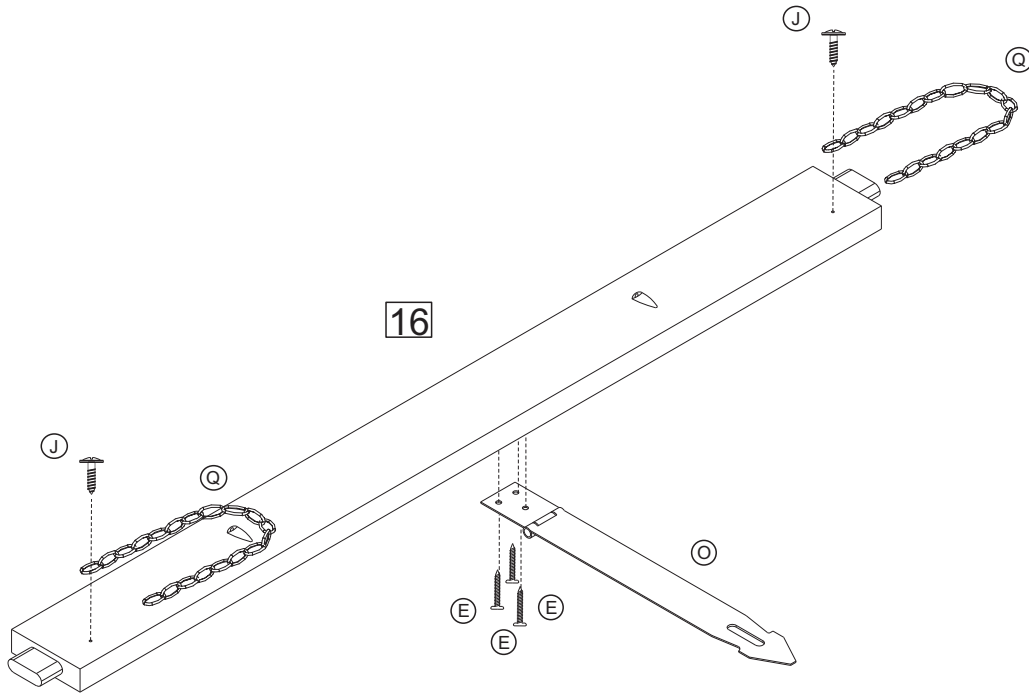


13

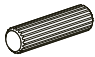
E	 3,5x14 mm	03
Q		02

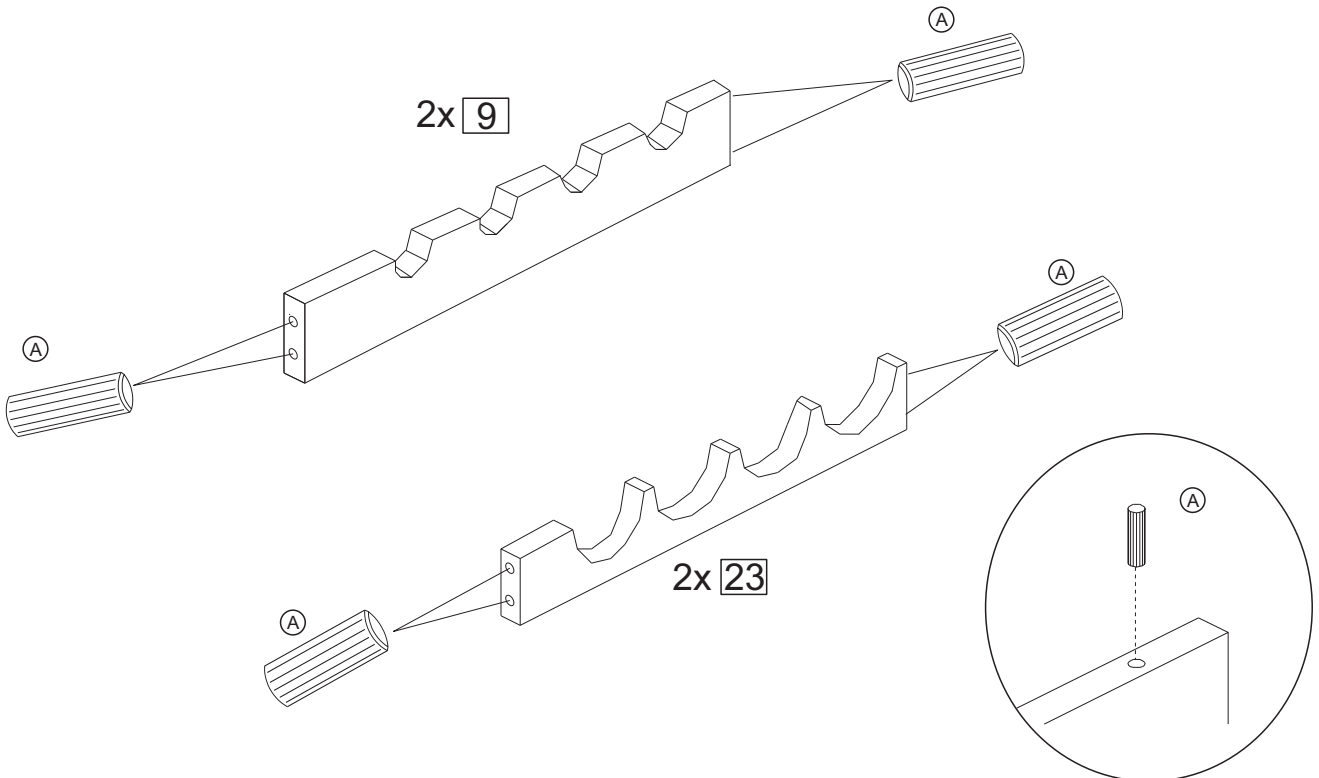
J	 4,0x16 mm	02
---	---	----

O		01
---	---	----

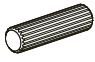



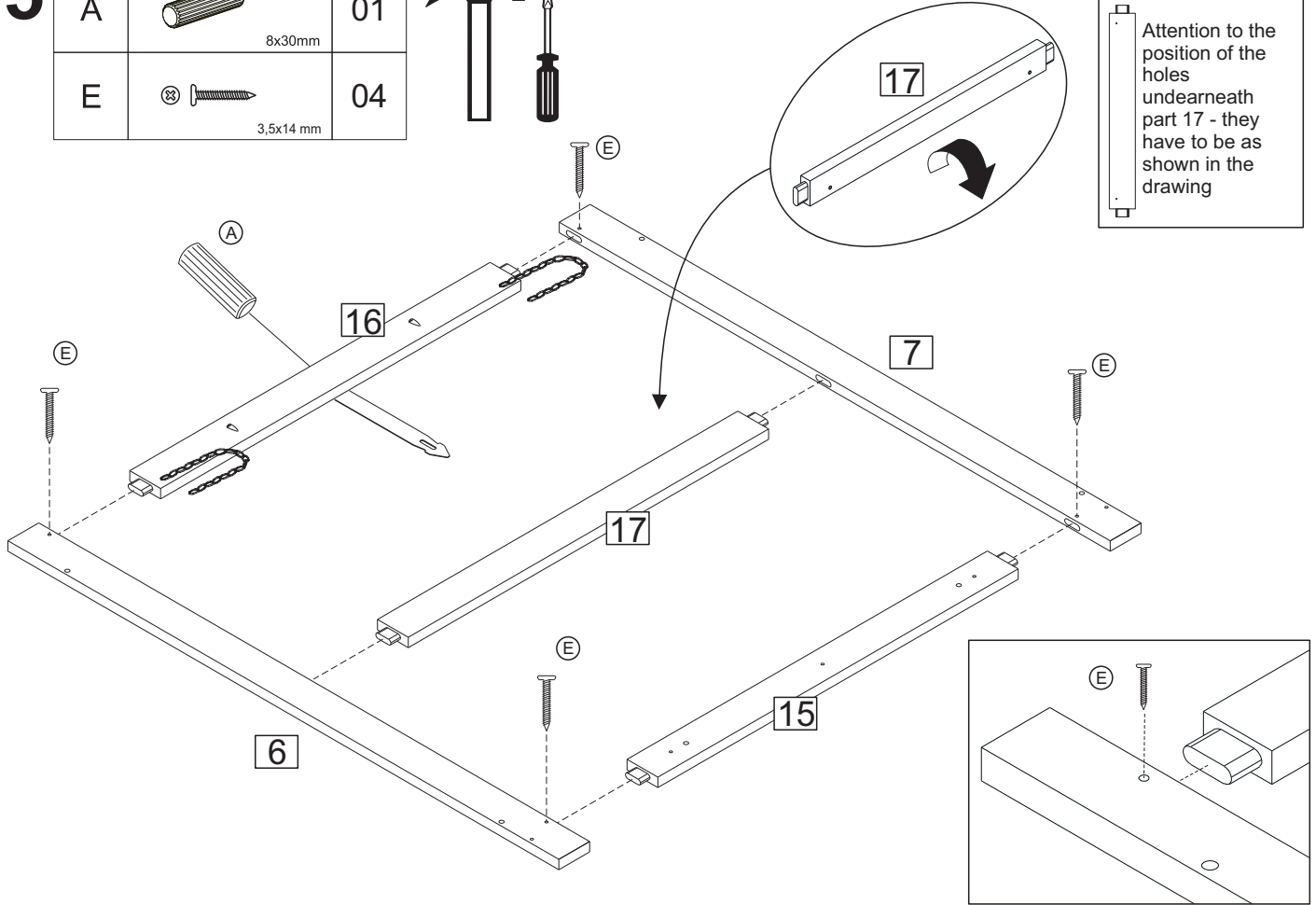
14

A	 8x30mm	16
---	--	----




15

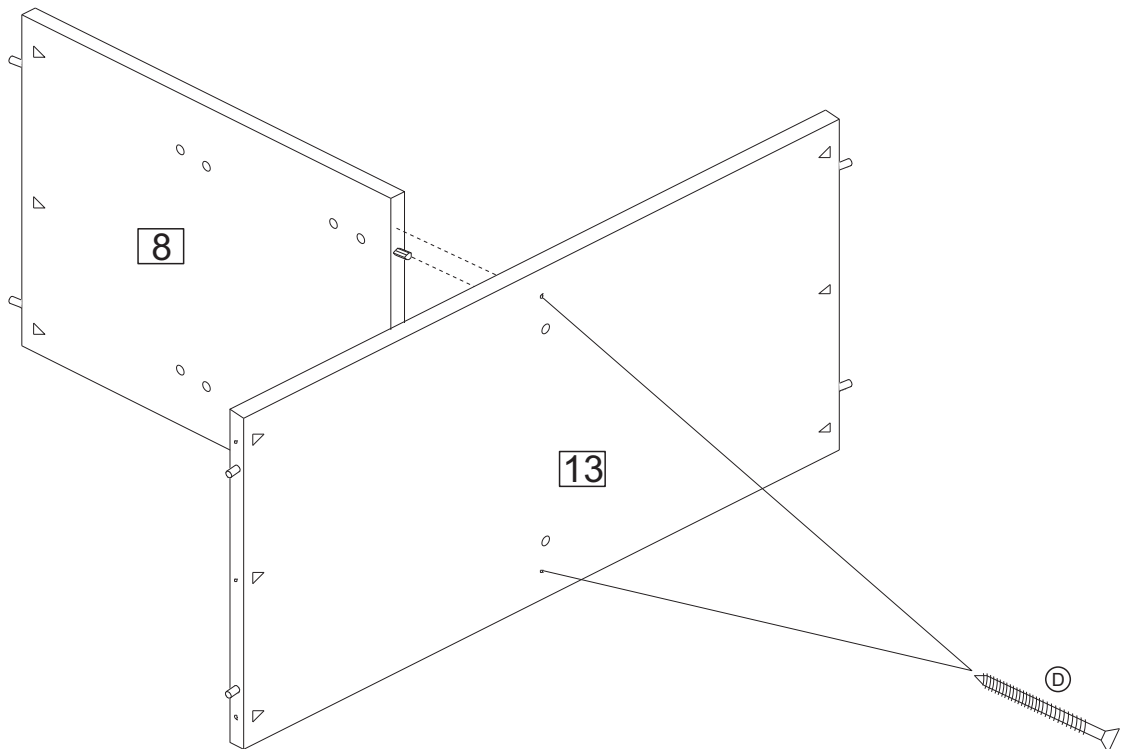
A	 8x30mm	01
E	 3,5x14 mm	04

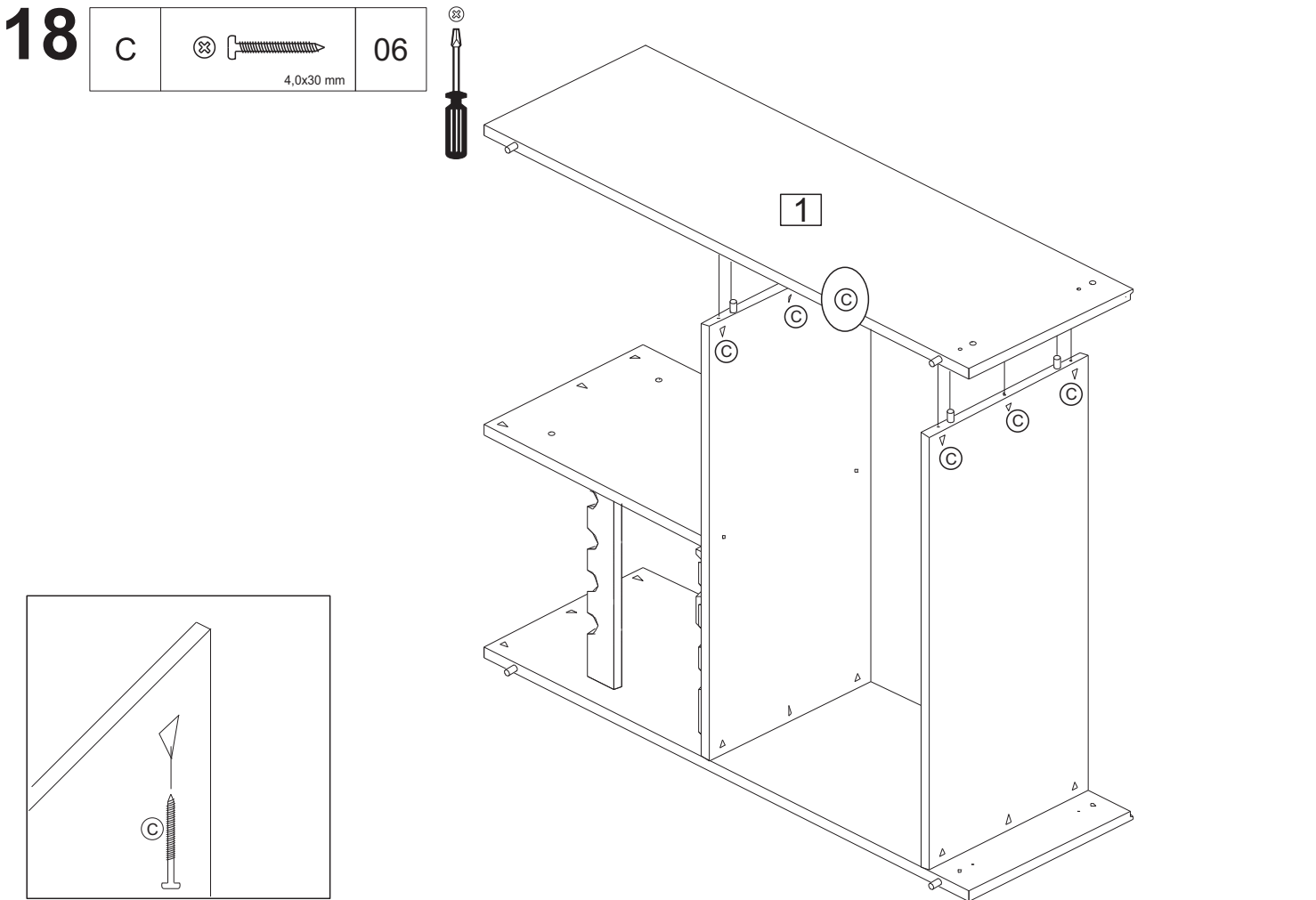
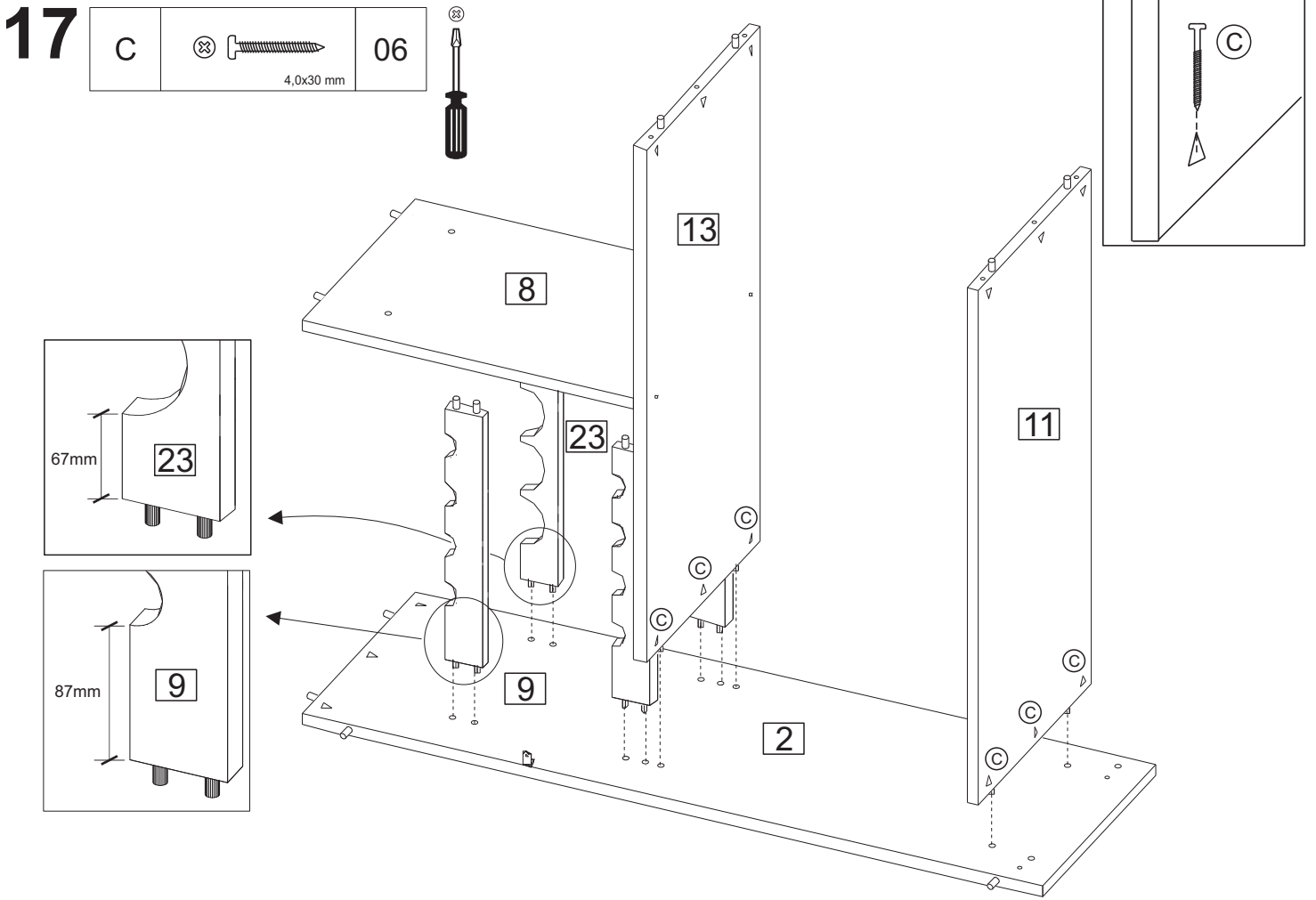


Attention to the position of the holes underneath part 17 - they have to be as shown in the drawing



16

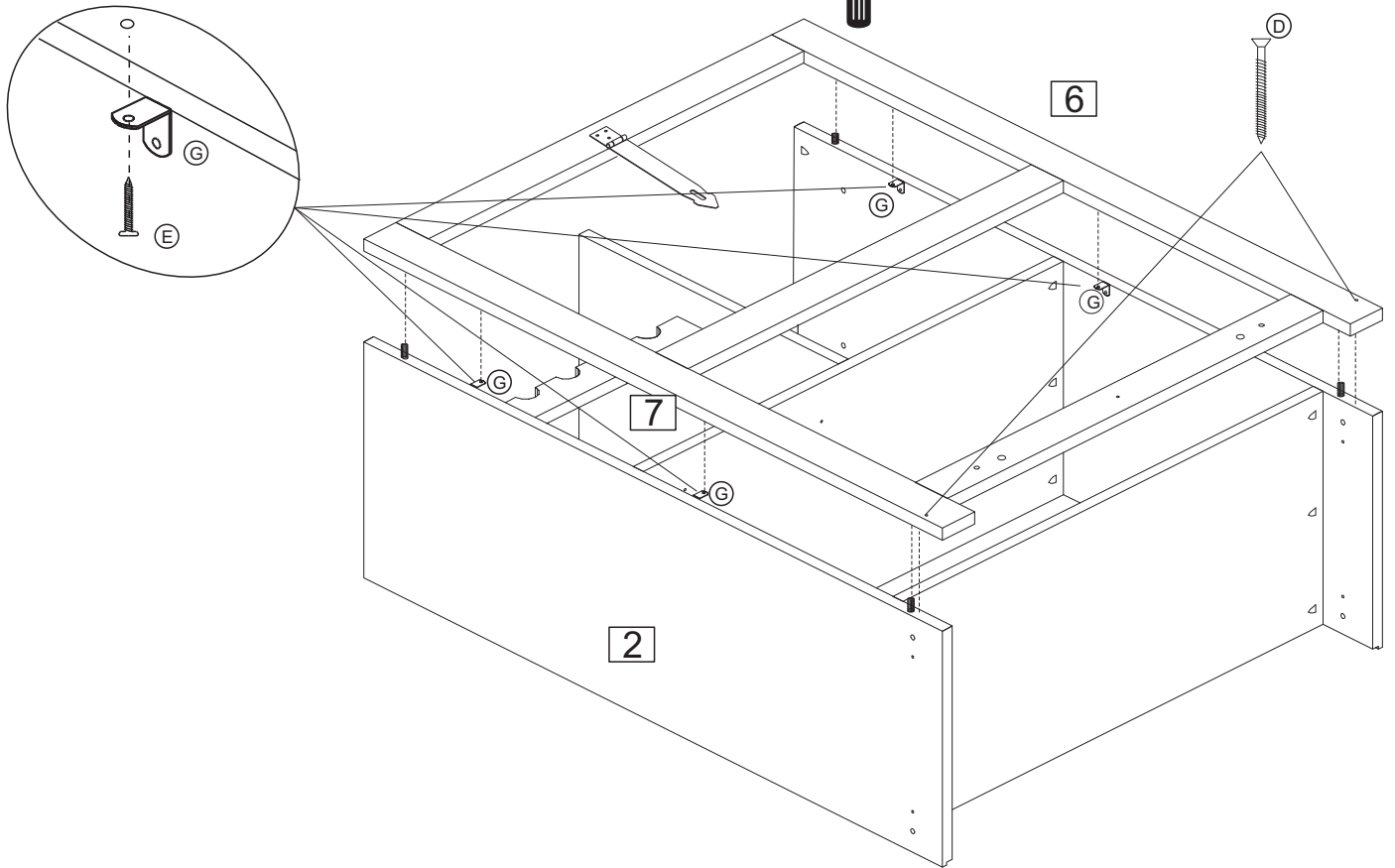
D	 3,5x30 mm	02
---	--	----







19

D		02	E		04
	3,5x30 mm			3,5x14 mm	

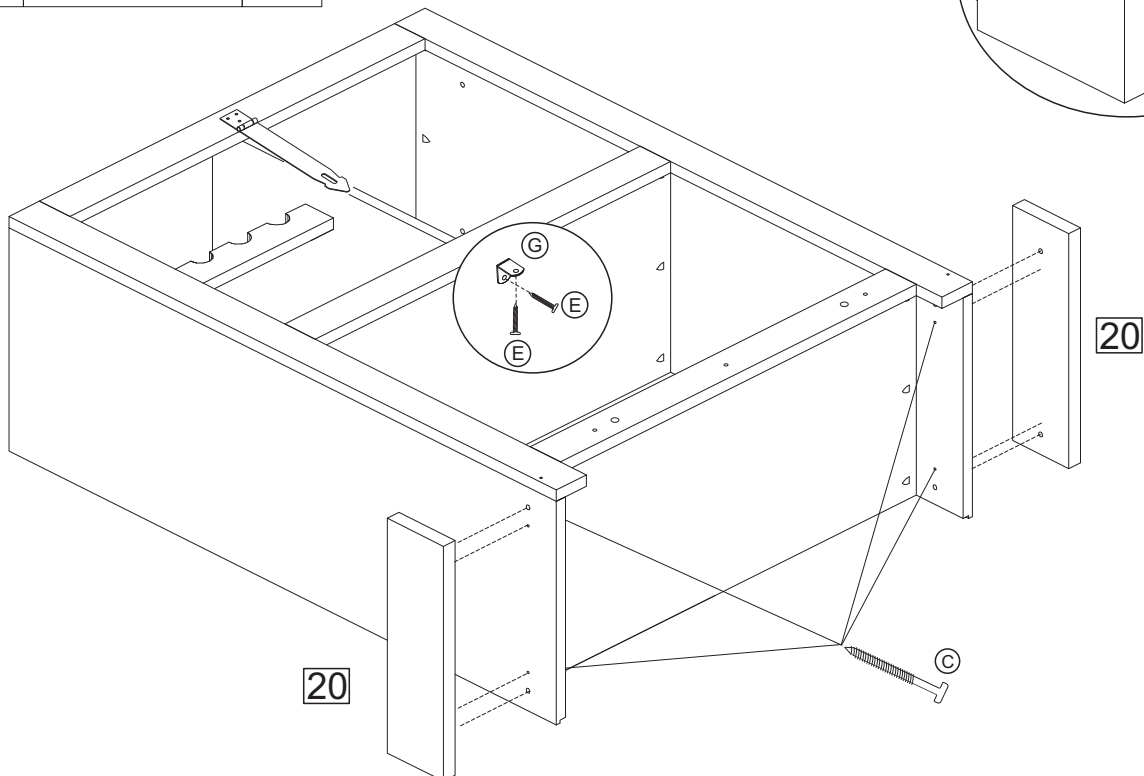
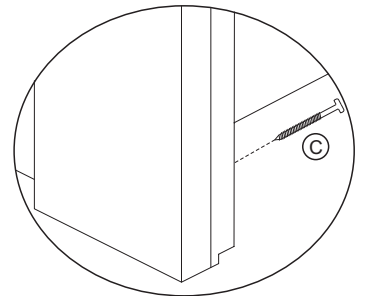


20


C		04	E		02
	4,0x30 mm			3,5x14 mm	

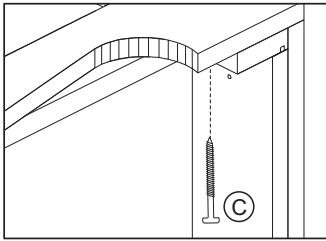
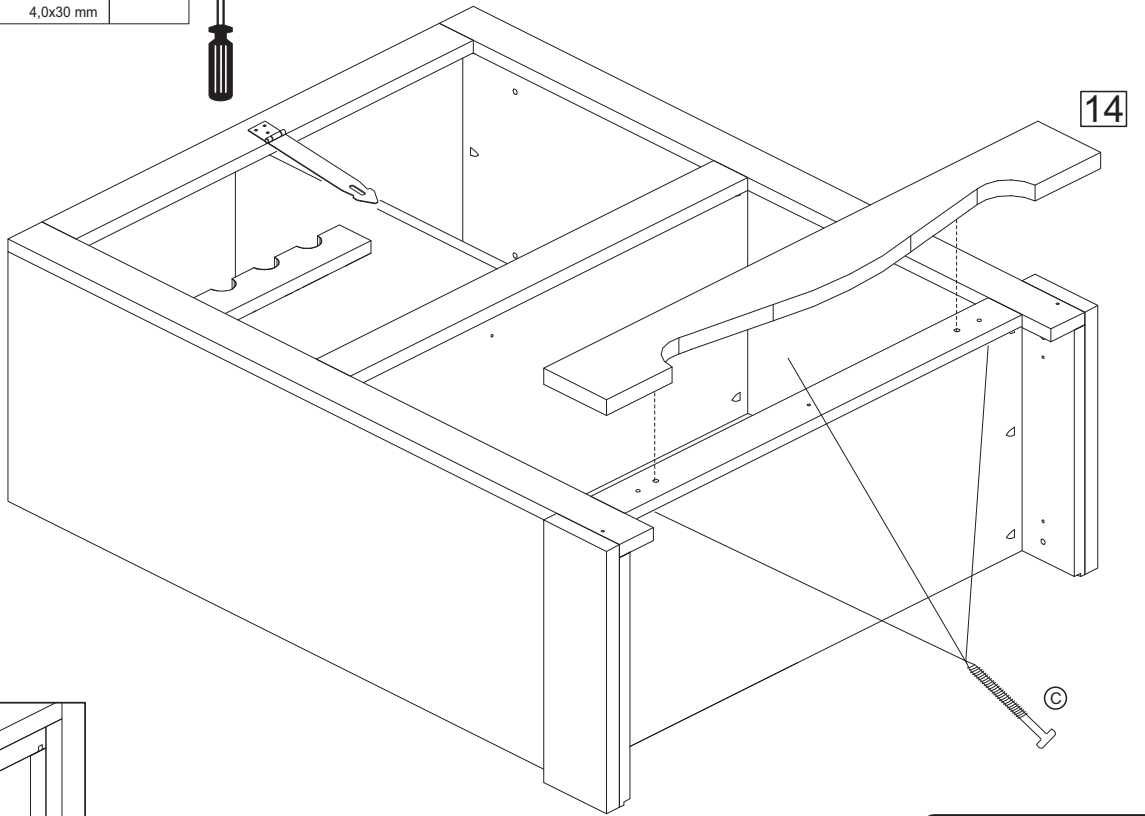


G		01
---	---	----




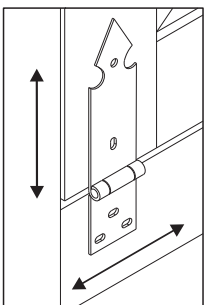
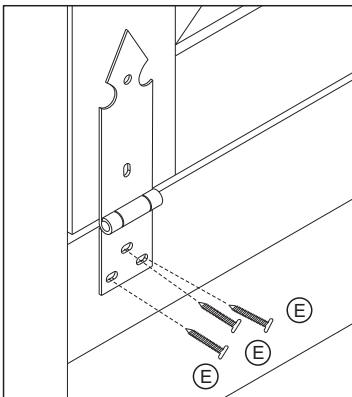
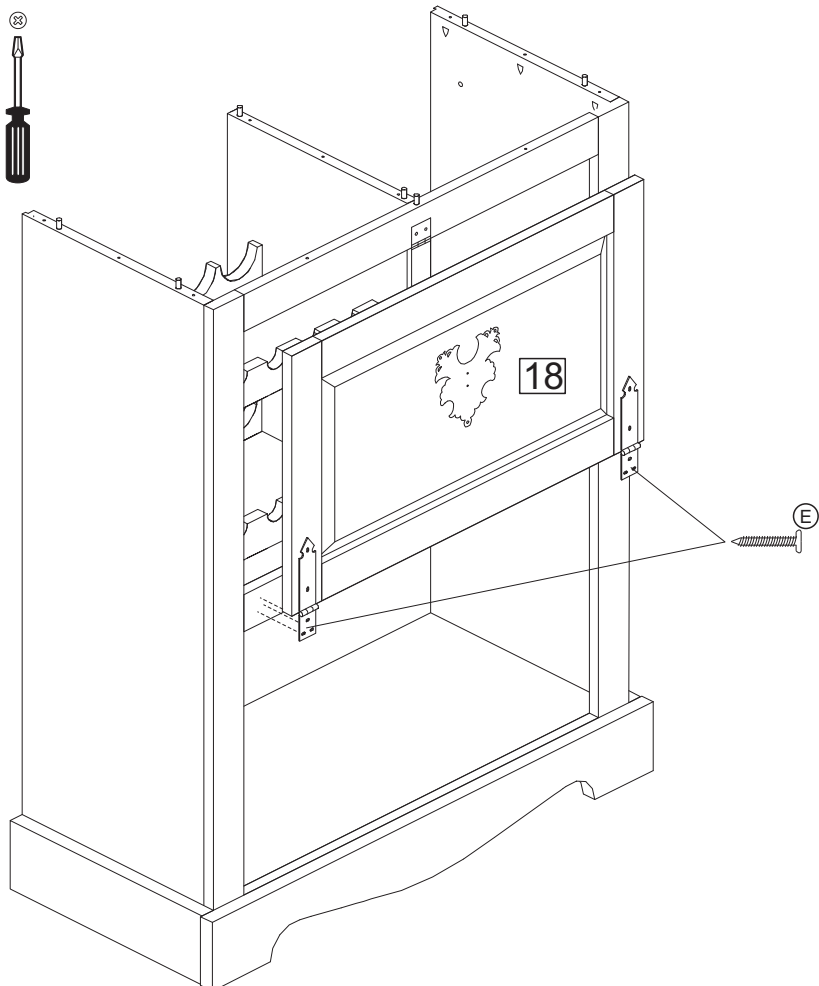
21

C	 4,0x30 mm	03
---	---	----

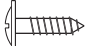


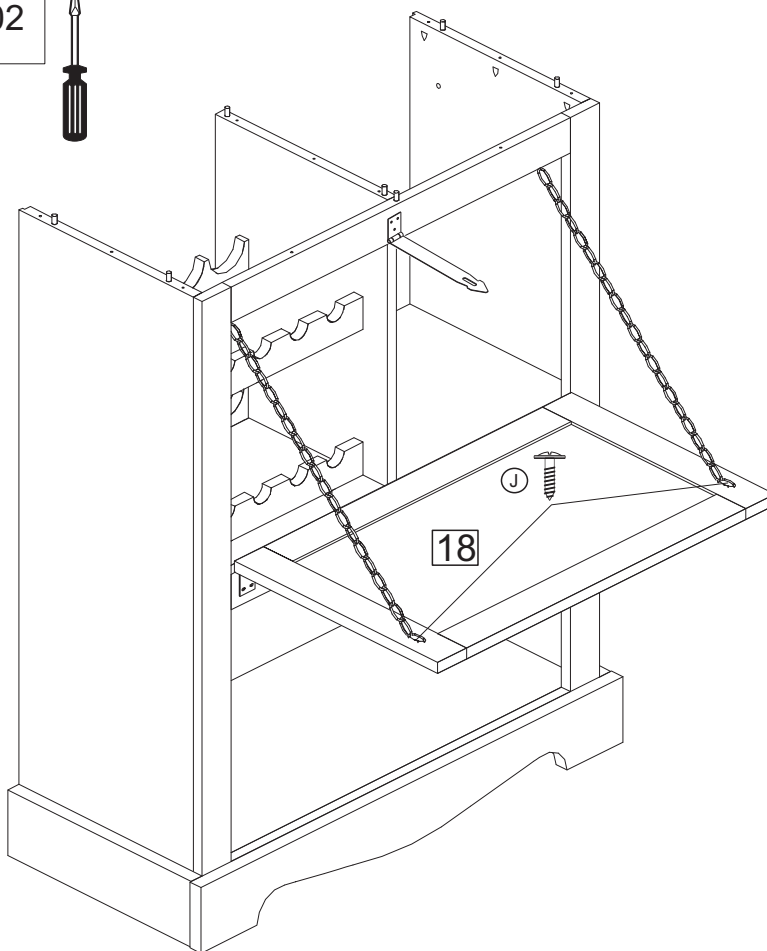
22

E	 3,5x14 mm	06
---	---	----




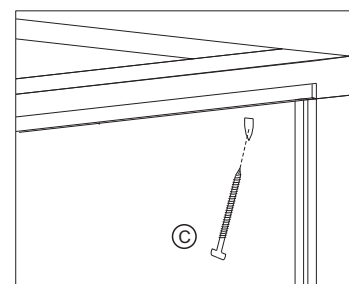
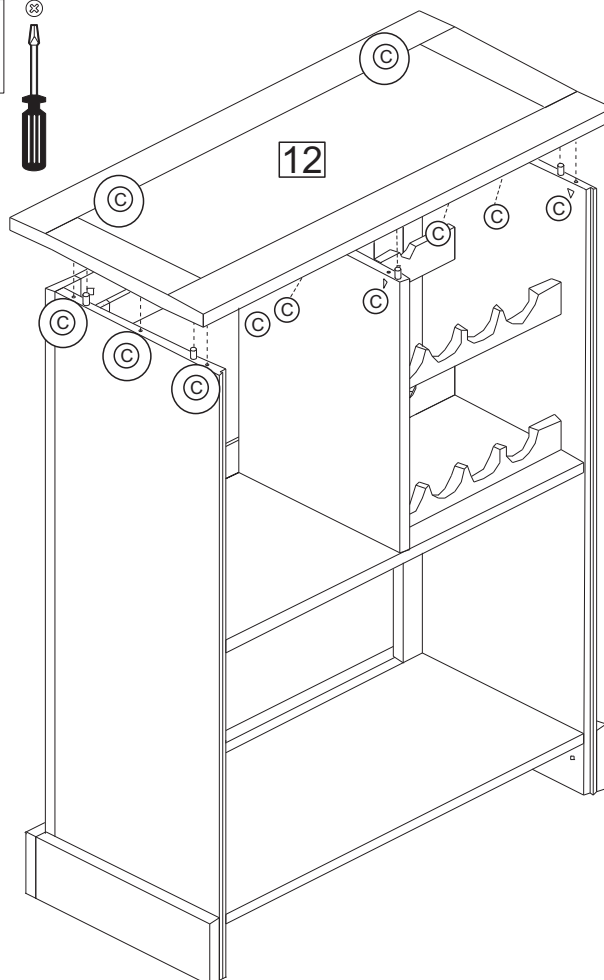
23

J		02
4,0x16 mm		

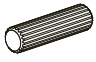
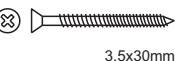


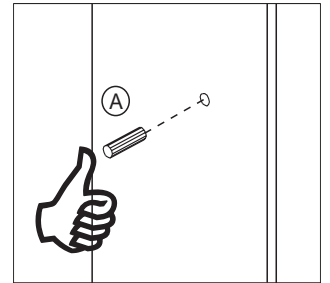
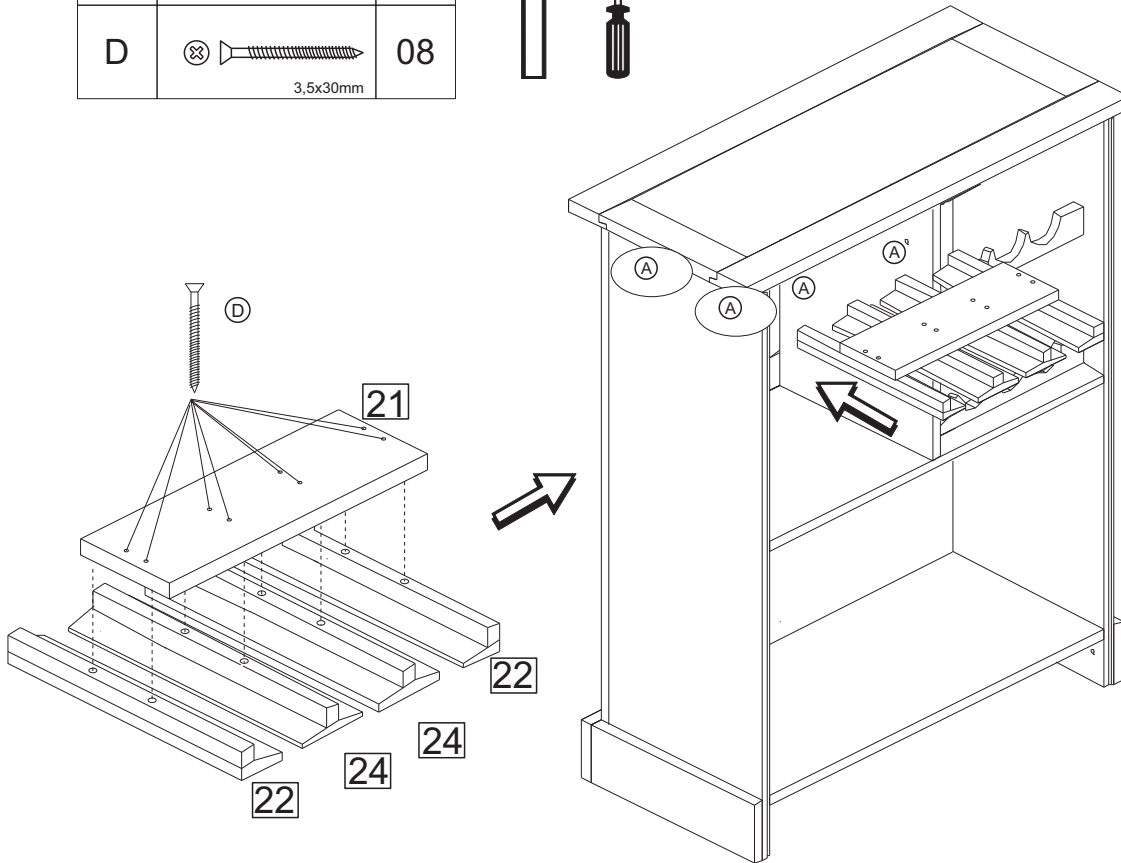
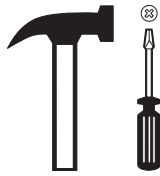
24

C		11
4,0x30 mm		





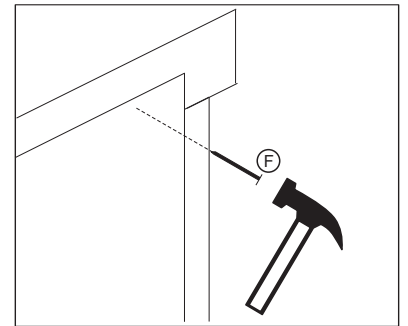
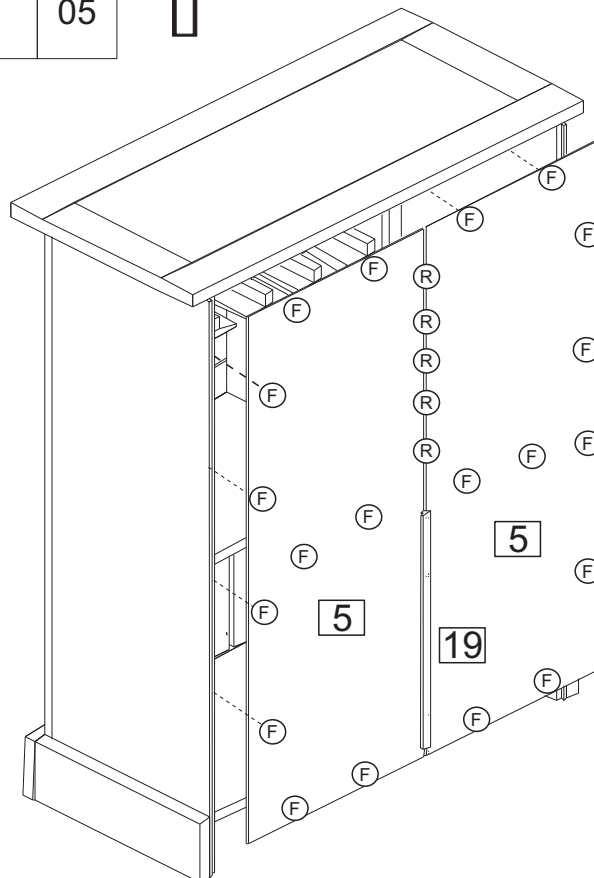
25

A	 8x30mm	04
D	 3,5x30mm	08



26

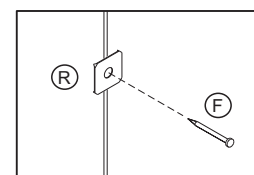
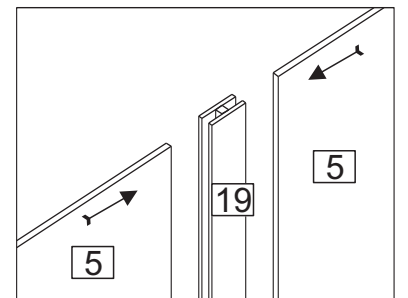
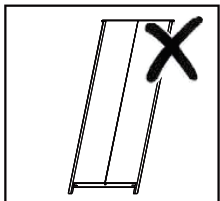
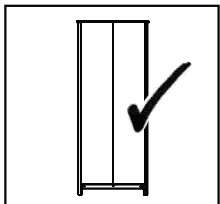
F	 8x8 mm	40
R		05




Use all back panels nails. Evenly spaced, they help make the unit strong.

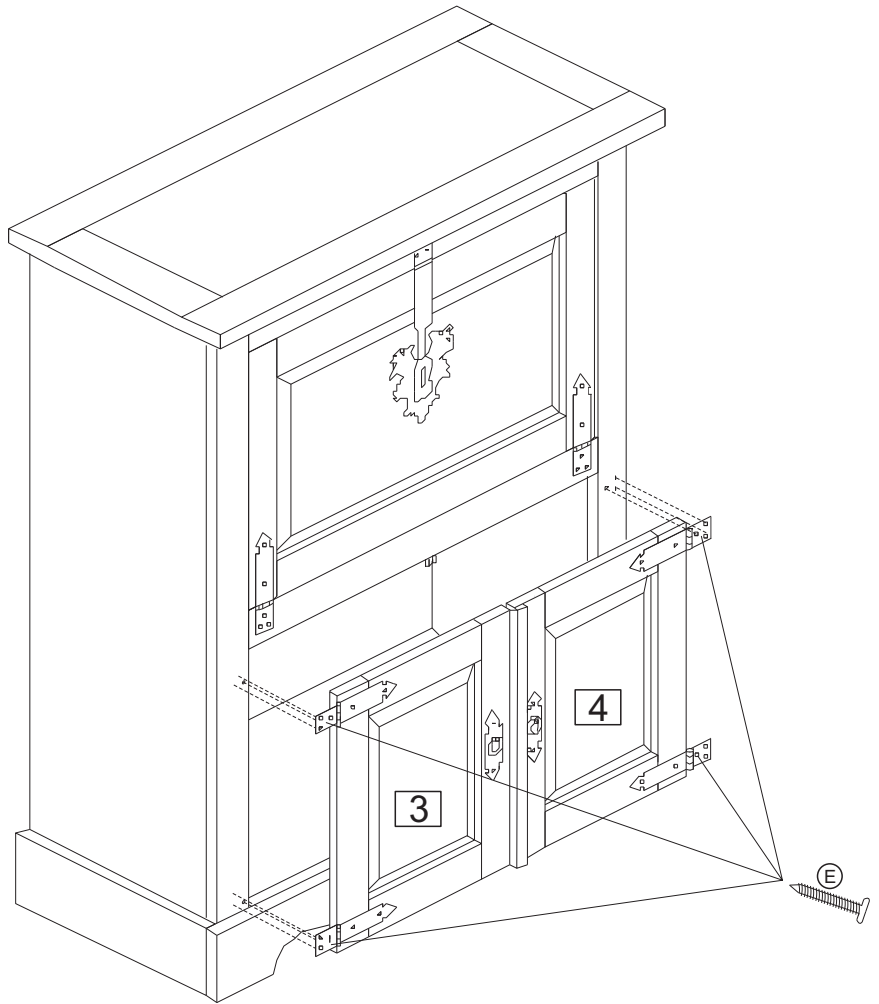
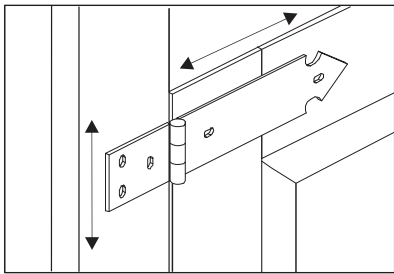
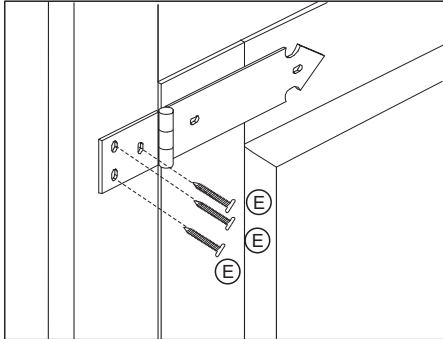


Important: Cabinet **MUST** be 'square' when back panel is attached.






27

E	 3,5x14 mm	12
---	---	----



28

E	 3,5x14 mm	04
M		01

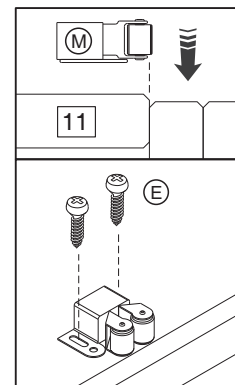
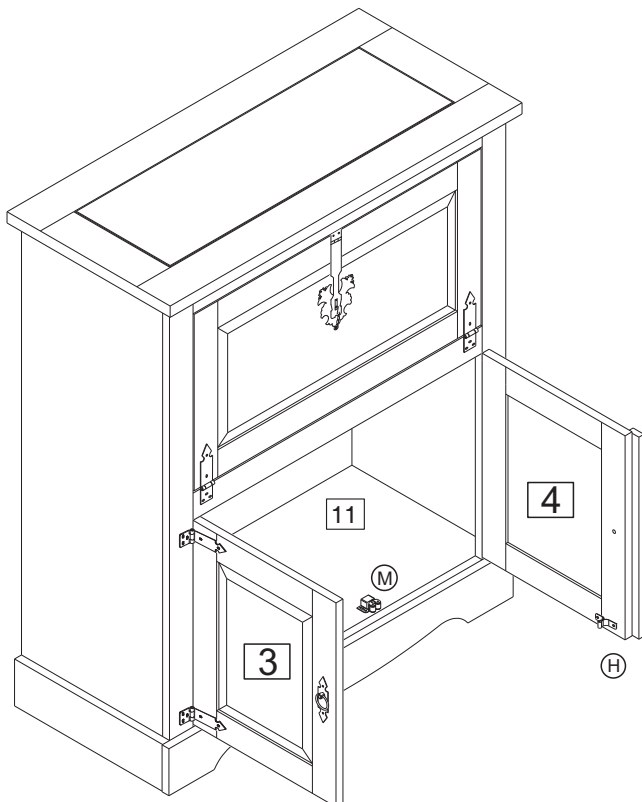
H		01
---	---	----



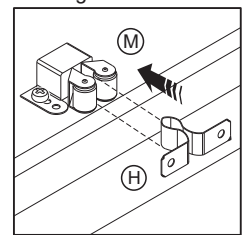
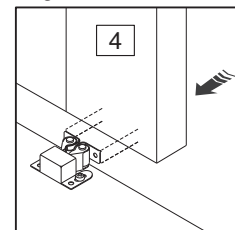
Fitting door lock.

a: Screw clip (M) in place using screws (E). Ensure that the 2 small wheels are flush with the edge of the base as shown in the diagram.

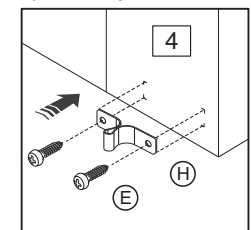
b: Insert plug (H) into clip (M), ensuring they are leveled as shown in the diagram.






c: Push the door against the plug (H). This will make 2 small marks on the door as shown in the diagram.



d: The door can then be opened and plug (H) can be screwed into place using the 2 marks made as a guide. This will ensure that the 2 parts of the door clips are lined up correctly.



29

E	 3,5x14 mm	02
L	 Ø 12mm	04
T		02

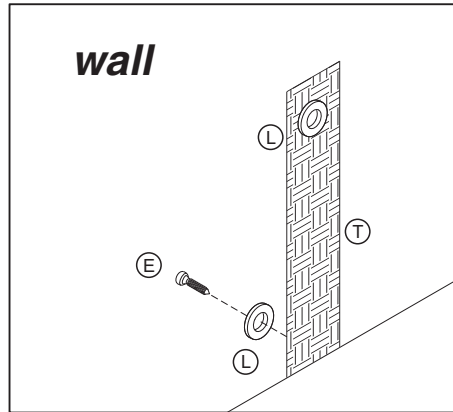


Fixing to wall

Furniture must be fixed to a wall.

Fix wall strap (T) to top of furniture using washer (L) and screw (E).

With help, move furniture into position.



Note: Wall plugs not supplied. The correct type of fixing must be used for your wall, seek professional advice if in doubt.

Assembly is complete.

