

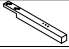


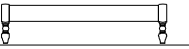









BECKETT KING BED BECKETT QUEEN BED

Assembly instructions:

PARTS LIST

No.	DESCRIPTION	IMAGE	QTY
P1	STRETCHER		1
P2	HEADBOARD LEG (LEFT)		1
P3	HEADBOARD LEG (RIGHT)		1
P4	HEADBOARD		1
P5	HEADBOARD FINIAL		2
P6	FOOTBOARD		1
P7	TURNING POST		2
P8	TOP RAIL		1
P9	FOOTBOARD FINIAL		2

HARDWARE LIST

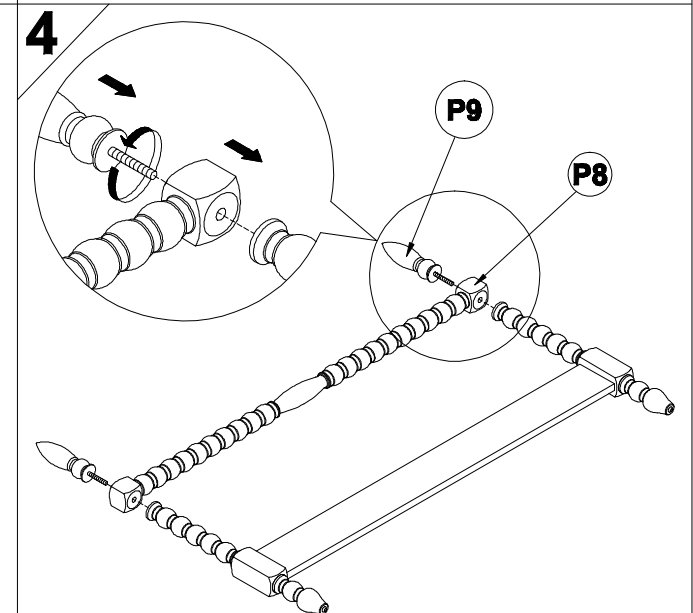
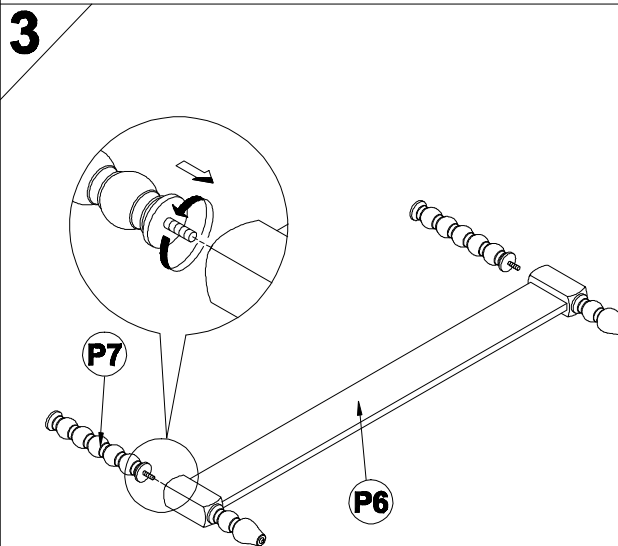
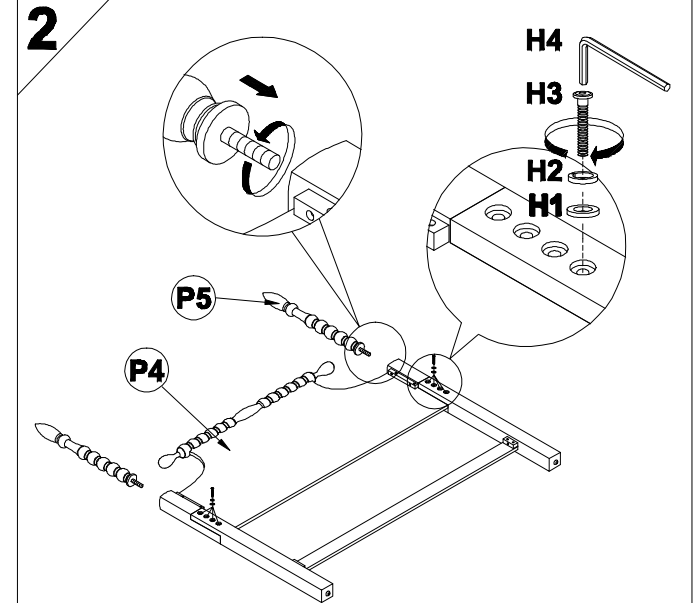
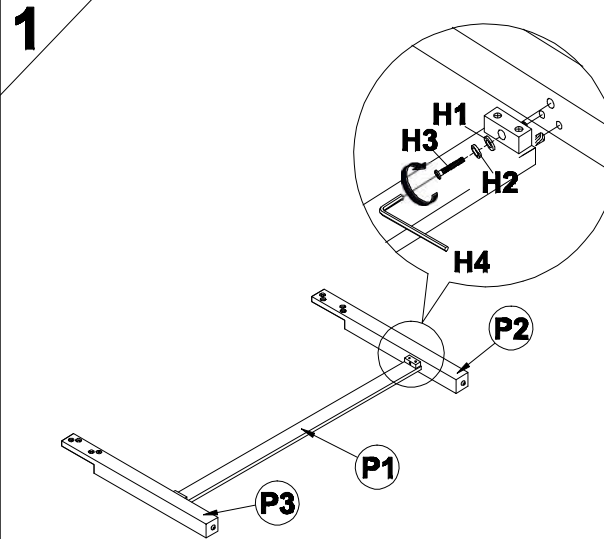
No.	DESCRIPTION	IMAGE	QTY
H1	FLAT WASHER 5/16"		10
H2	SPRING WASHER 5/16"		10
H3	BOLT 5/16" x 2"		10
H4	ALLEN KEY		1

NOTE: PO# is located underneath/ inside of each item. Please be prepared to provide this # should any claim be necessary.

CAUTION: Item is heavy assembly should be performed by two people.

DISCLAIMER:

When properly assembled, this item is safe for intended use. Seller is not liable for any damages resulting from item being improperly assembled after purchase.



BECKETT KING BED BECKETT QUEEN BED

Assembly instructions:

PARTS LIST

No.	DESCRIPTION	IMAGE	QTY
P10	SIDE RAIL		2
P11	SLAT		4
P12	SLAT SUPPORT		KING = 8 QUEEN = 4
P13	LEVELER		KING = 8 QUEEN = 4

HARDWARE LIST

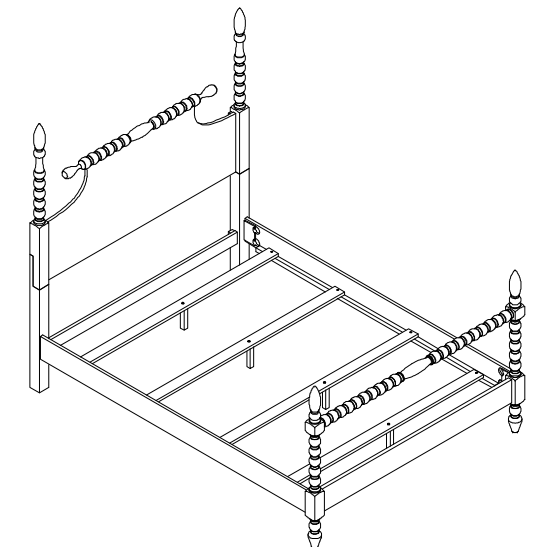
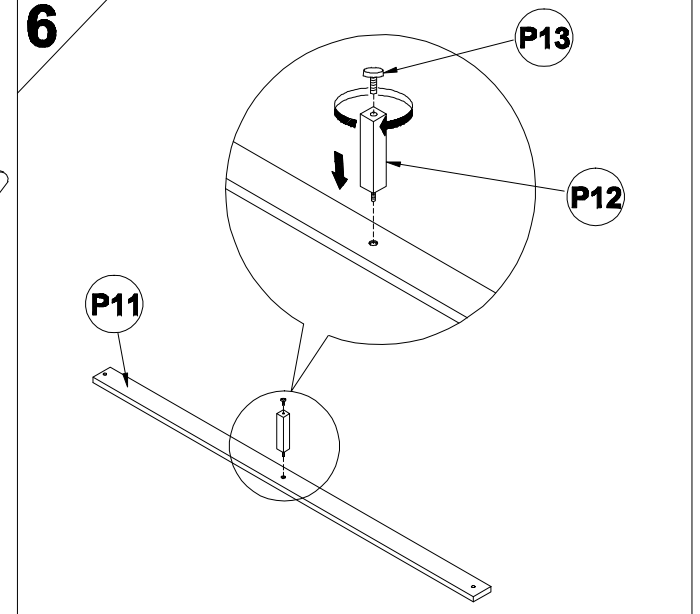
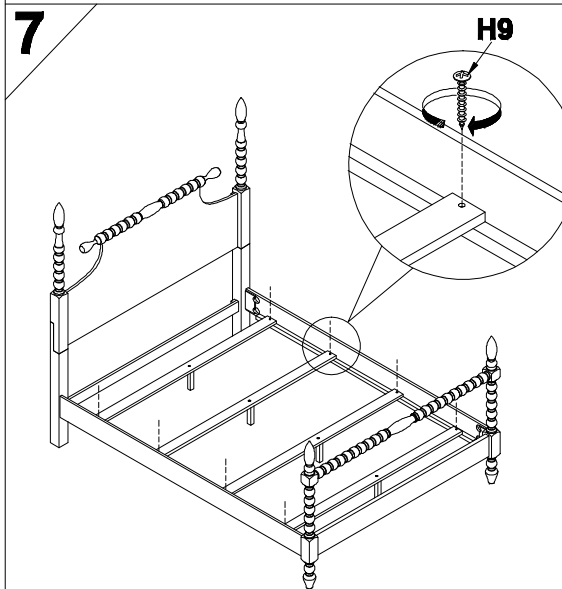
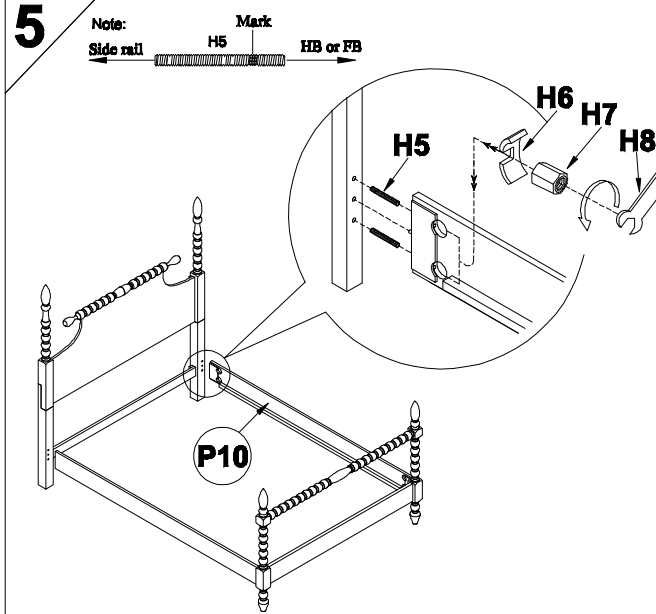
No.	DESCRIPTION	IMAGE	QTY
H5	BOLT 5/16" x 4 1/4"		8
H6	"C" WASHER		8
H7	HEX NUT 5/16"		8
H8	WRENCH 5/16"		1
H9	SCREW M4 x 1 1/4"		8

NOTE: PO# is located underneath/ inside of each item. Please be prepared to provide this # should any claim be necessary.

CAUTION: Item is heavy assembly should be performed by two people.

DISCLAIMER:

When properly assembled, this item is safe for intended use. Seller is not liable for any damages resulting from item being improperly assembled after purchase.



ASSEMBLED COMPLETE