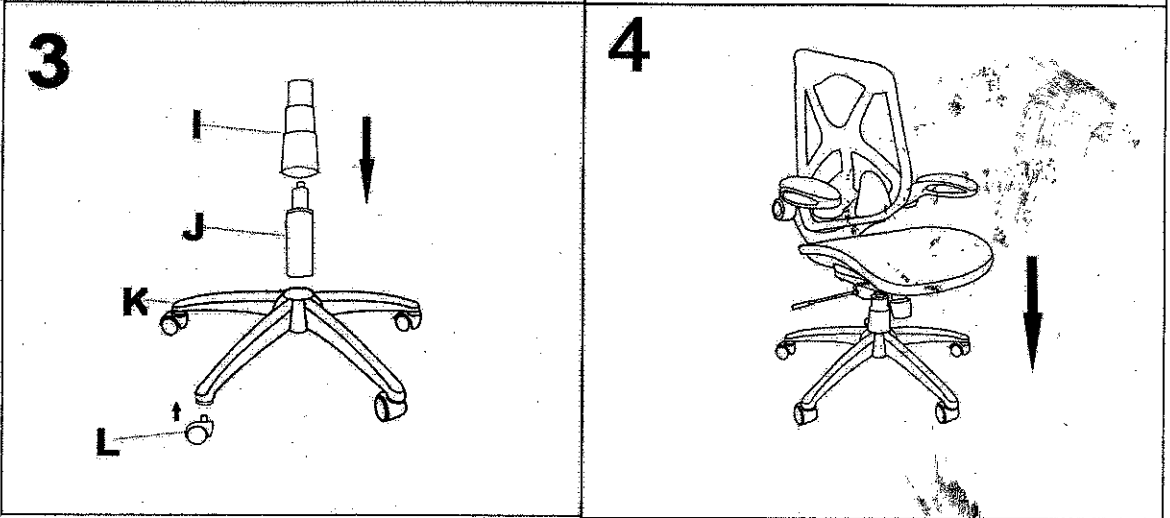
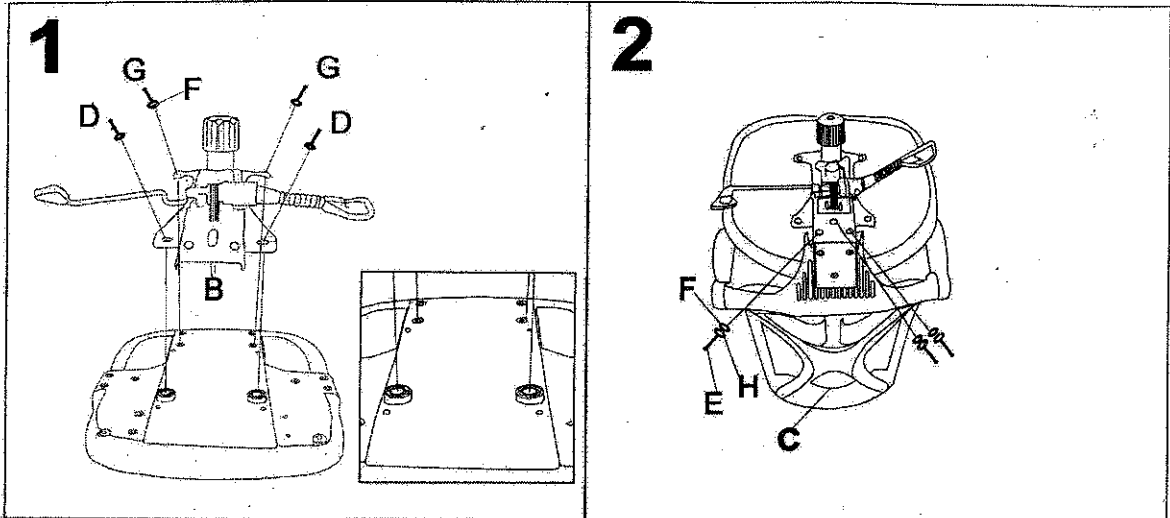


OFFICE CHAIR



A 1PC	B 1PC	C 1PC	D 2PCS
E 3PCS	F 7PCS	G 2PCS	H 3PCS
I 1PC	J 1PC	K 1PC	L 5PCS
M X1			

