

10 Ft Patio Umbrella

FOLLOW US:



NOTE:

The instruction booklet contains **IMPORTANT** safety information Please read and keep for future reference.

OUR BRAND

We have been dedicated to providing customers with quality products and exceptional service and has prospered into one of the nation's largest retailers of indoor and outdoor home décor. Every product is carefully selected to ensure they meet our standards as well as your standards. We believe quality should never be determined by price which is why we are committed to providing high end merchandise at the absolute lowest cost.

PLEASE LIKE, COMMENT AND FOLLOW.



Estimated Time for Assembly

10 mins

Tools Needed (included)



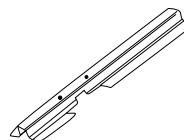
PACKAGE CONTENT

A



1x

B



1x

C



1x

D



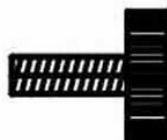
4x
M8×20mm

E



4x

F



4x
M8×30mm

G



1x

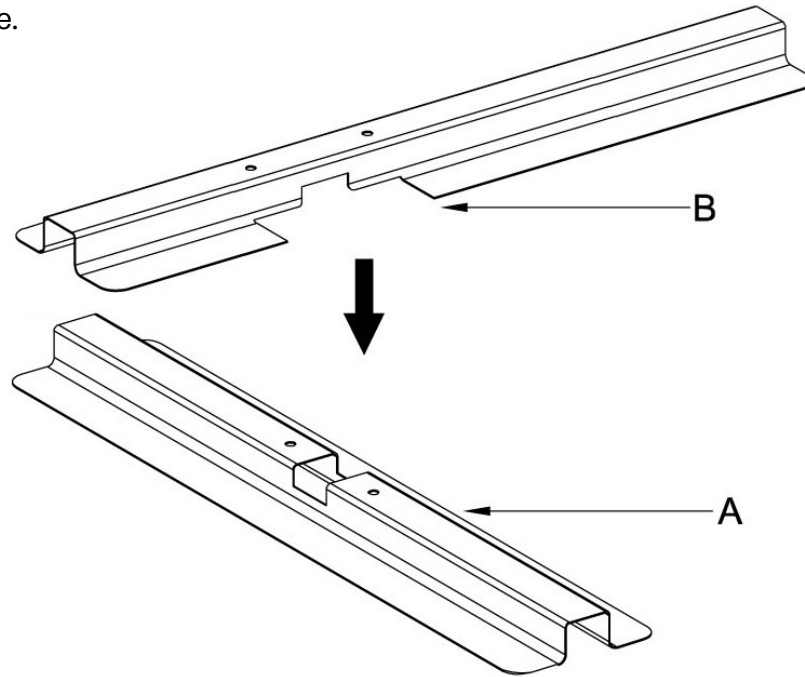
H



1x

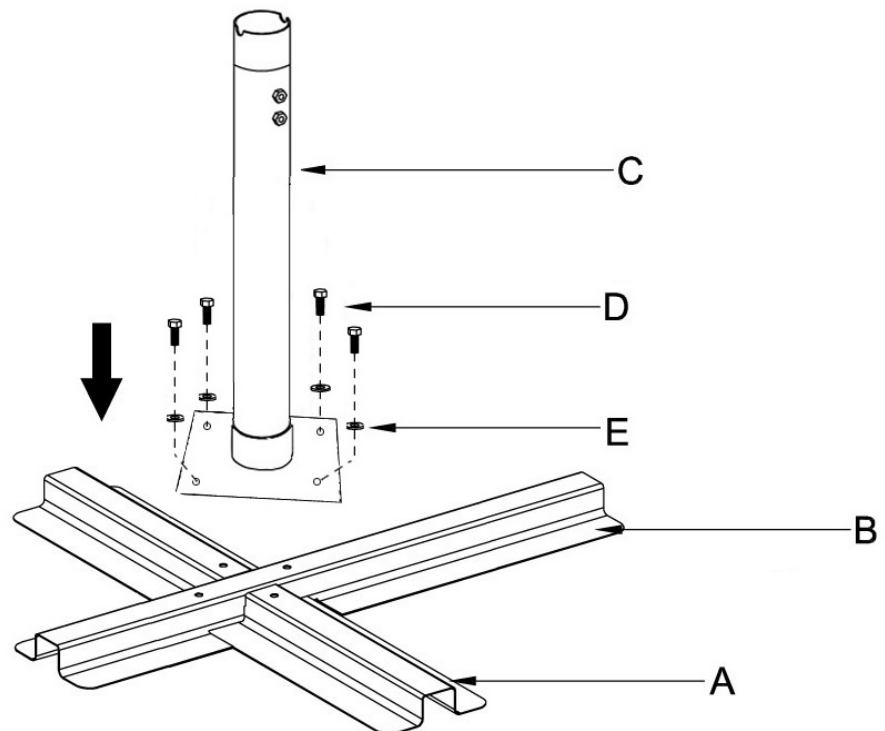
1

Attach the cross base(B) to the cross base(A) as shown in the figure.



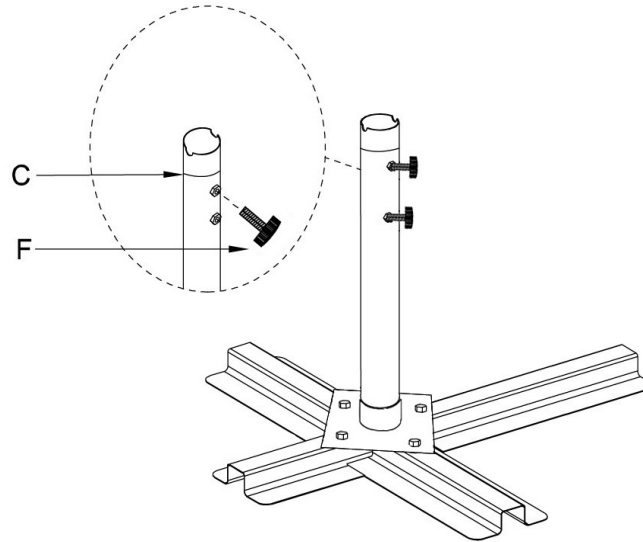
2

Attach the pole (C) to the cross base (A&B) by using the bolts (D) and washers (E) as shown in the figure.
Hand tighten all bolts completely.



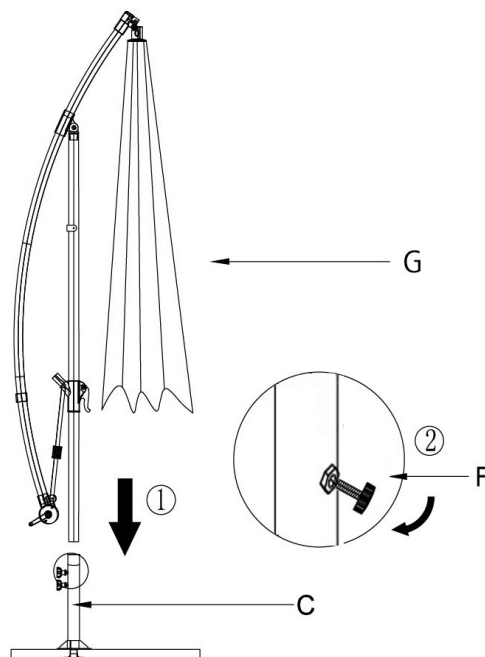
3

Lock screw (F) to the pole (C) as shown in the figure.
Don't tighten the locking screw (F) completely.



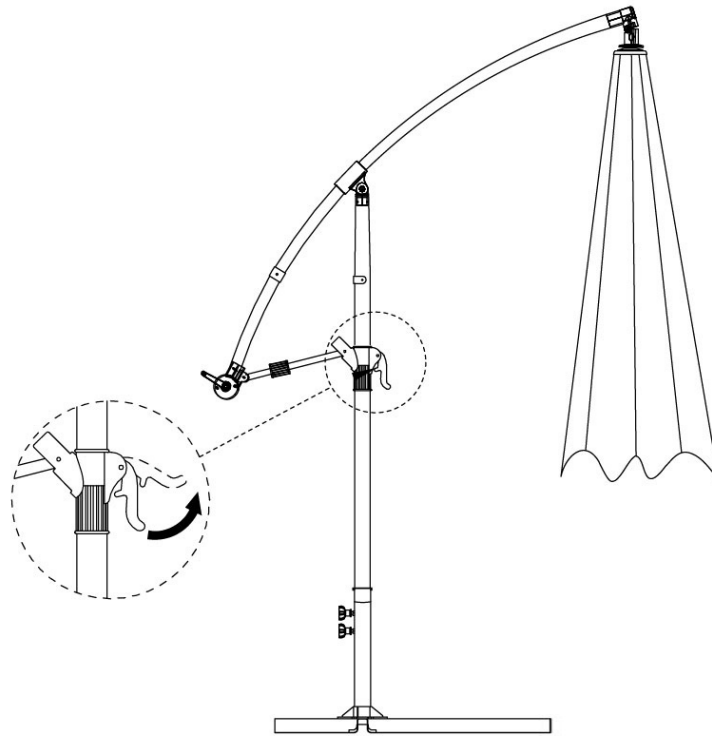
4

Attach the parasol (G) to the pole (C). Hand tighten the locking screw (F) completely as shown in the figure.

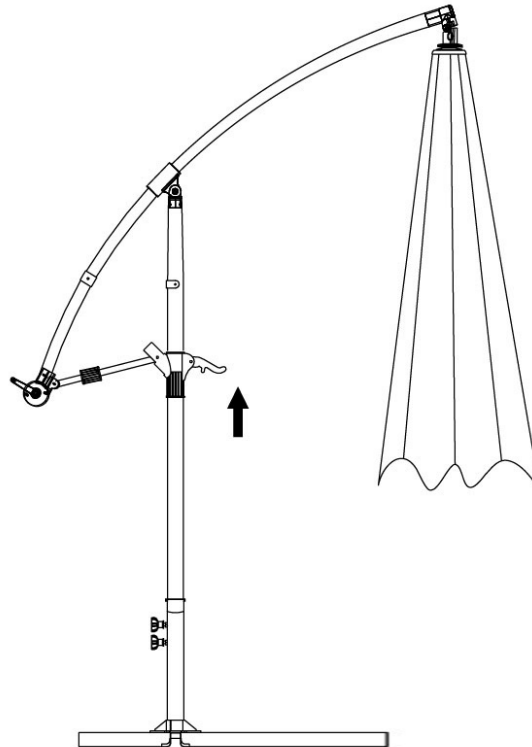


5

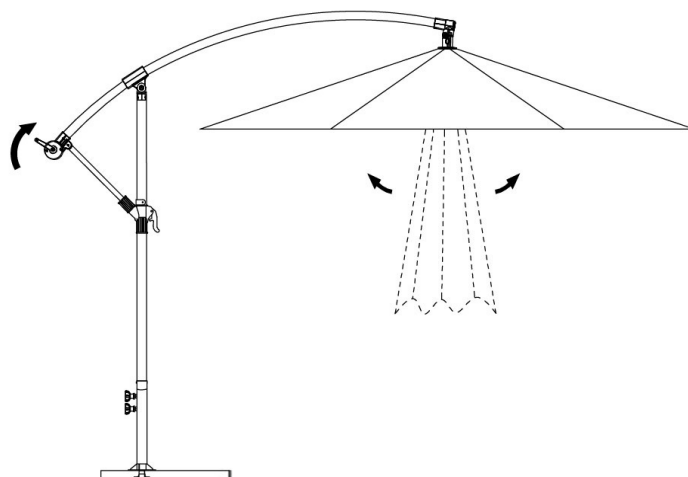
Open the parasol as shown in the figure.



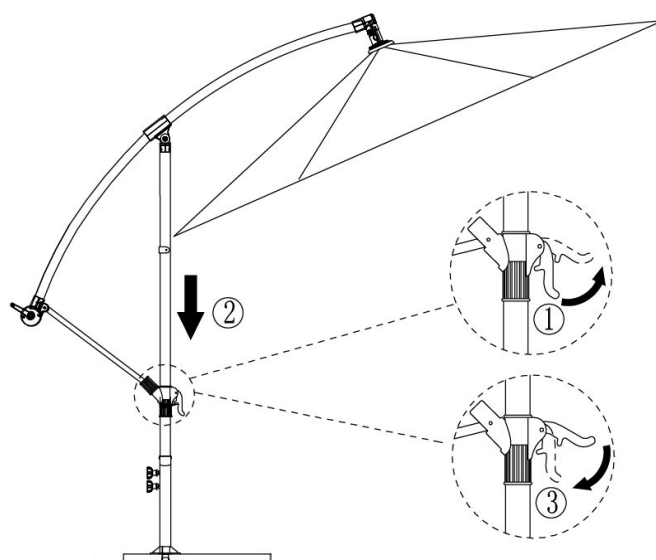
6



7



8



Adjust the parasol angle as shown in the figure.

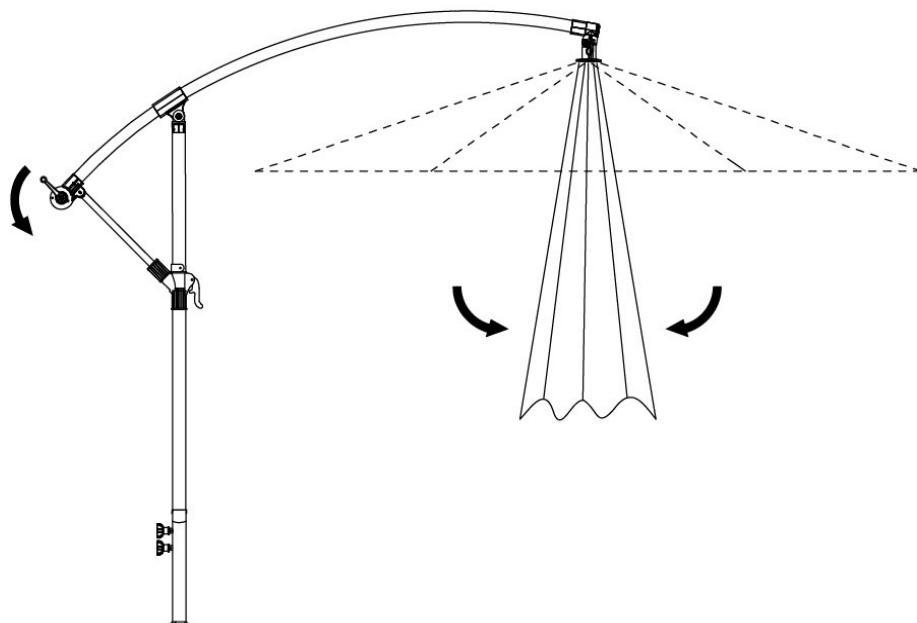
Warning!

Parasol ribs may compress during shipping. Read these instructions before opening your parasol to avoid causing permanent damage!

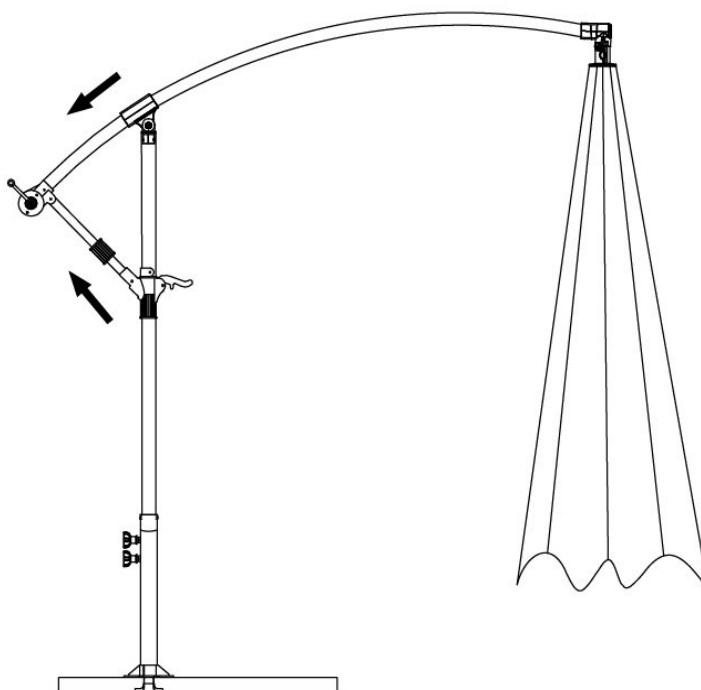
1. Before opening the parasol, shake gently to separate the ribs into their natural open position.
2. Slowly crank the handle taking up the slack in the cord.
3. Secure the parasol using the appropriate parasol bases as shown in Step 7.

9

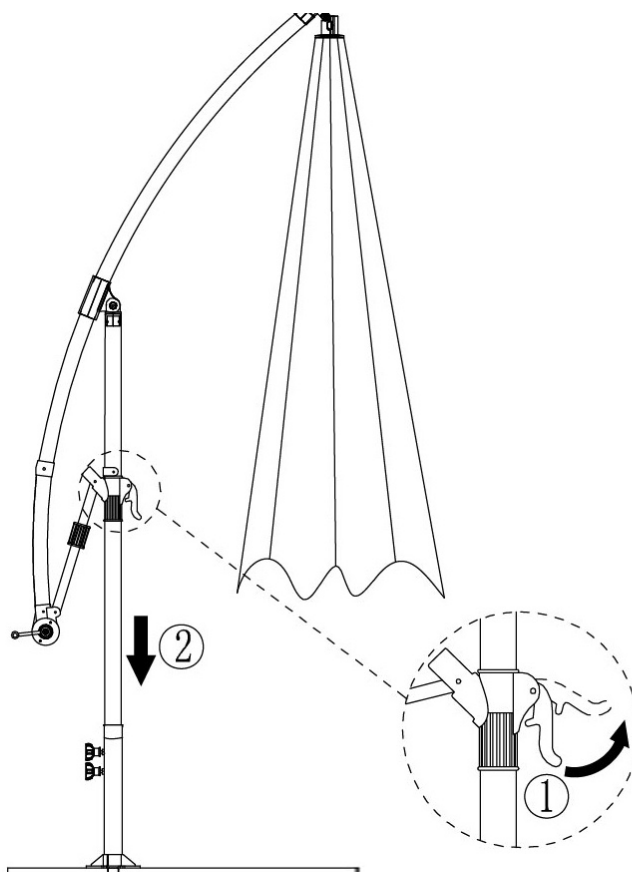
Close the parasol as shown in the figure.



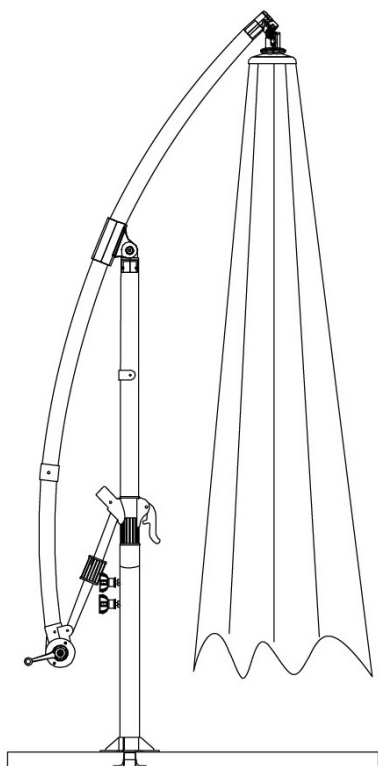
10



11



12



We recommend 2 people work together to assemble the parasol. Assemble on a flat, non-abrasive surface. Make sure all bolts are secured firmly using the Spanner (not supplied).

Safety & Usage:

Read and follow the assembly instructions carefully. Periodically check bolts and fittings for tightness as they may work loose over time, taking care not to over-tighten fittings as this may damage your cross base. Do not use power tools to assemble your cross base. Always place the parasol on a flat level surface. Always use with the appropriate parasol bases. This parasol is only showerproof and should not be left up in heavy rain. Do not drag the parasol, please lift to reposition (recommended 2 people.) Do not leave the parasol out in adverse weather conditions (windy weather.)

FINISH!

Warranty

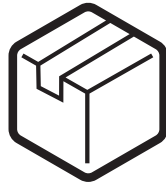
Our products come with a 1 year warranty from the date of purchase. In any event that the product arrives damaged or missing parts, we are more than happy to provide you with replacement part(s). **Register your product on our website to enjoy extended warranty!!**

Easy Return

We work hard to make sure order arrives safe and secure, but rest assured we will take care of it if it is not up to standard. If you need replacement parts, Contact us. we will send you replacements with no hassle.



Contact Us



Replacement



You

You don't have to worry about re-packaging / schedule pick-up.

We hope you enjoy your new furniture!

FOLLOW US:

