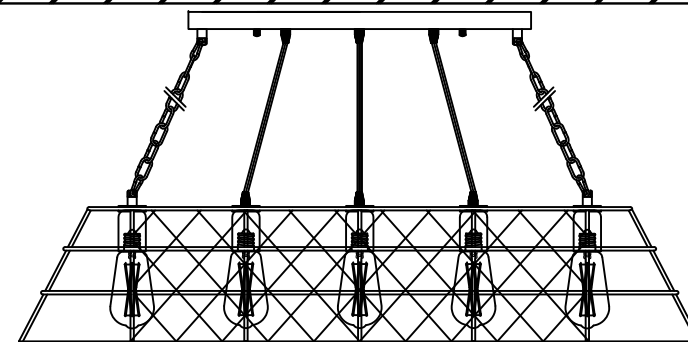
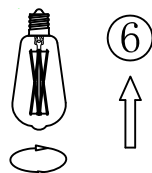
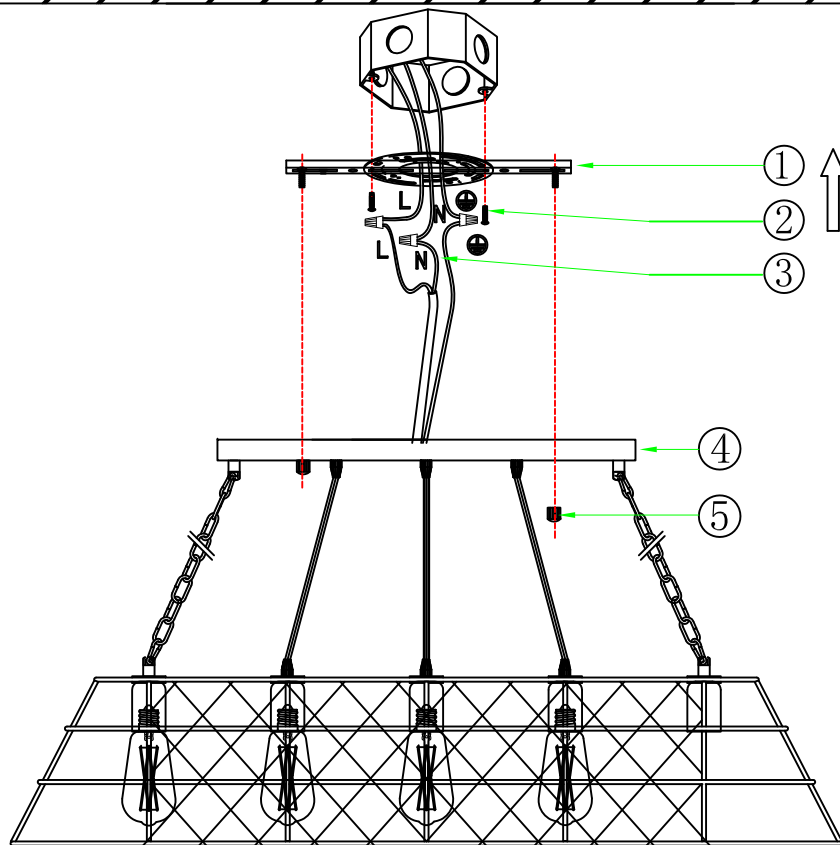
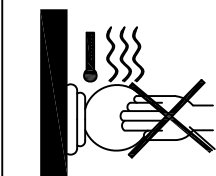
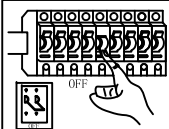


INSTALLATION INSTRUCTION



Installation;

1. Fix the hanging plate 1 to the junction box with screw 2;
2. Connect the power line (connect fire line L and fire line L, in parallel, zero line N and zero line N in parallel, and ground line and ground line in parallel), as shown in Figure 3;
3. Fix the ceiling box 4 on the hanging plate with the flower branch iron pieces, as shown in Figure 5;
4. Finally install the E26 bulb, as shown in Figure 6;

Warning:

1. Turn off the main power at the circuit breaker before installing the lamp in order to prevent possible shock;
2. Please wear gloves when installing the lamp;
3. Don't exceed the rated voltage 110V;
4. Don't install on haven't finished wall and loose wood wall;
5. Don't use corrosive liquor to clean it, just as acid liquor and alkaline liquor, please use soft cloth;