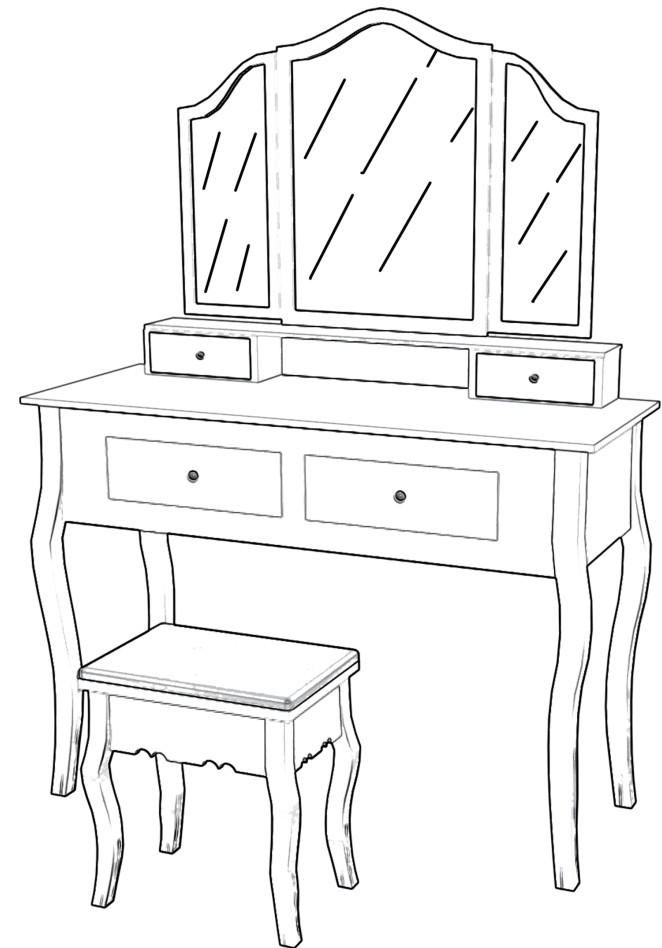


User Manual

JAXPETY



JAXPETY

You need

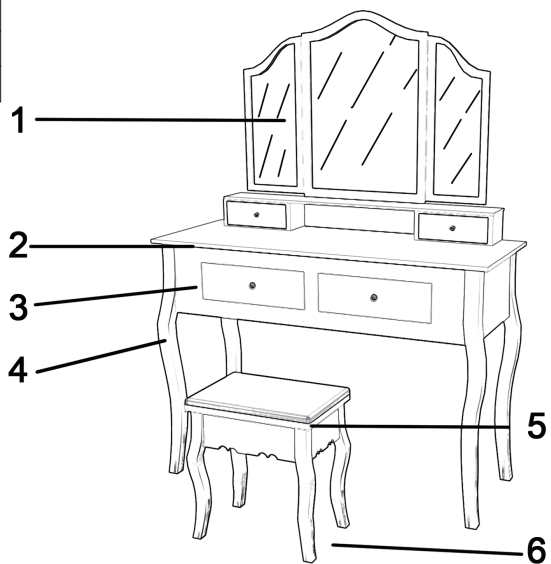
1 Tools required

A Phillips head screwdriver is required for the assembly of this product. (not included)

Power tools should not be used to assemble this product.

2 1 persons is needed

Technical Specifications	
Brand	JAXPETY
Size	900X400X1445mm
Max weight capacity	330LBS



No	Description	Quantity	No	Description	Quantity
1	MIRROR	1	4	TABLE LEGS	4
2	DESKTOP	1	5	CUSHION/STOOL TOP	1/1
3	WOODEN DRAWER	1	6	CHAIR LEGS	4

Hardware List

M6x60mm

A	16PCS
---	-------

M6x30mm

B	4PCS
---	------

M6x25mm

C	2PCS
---	------

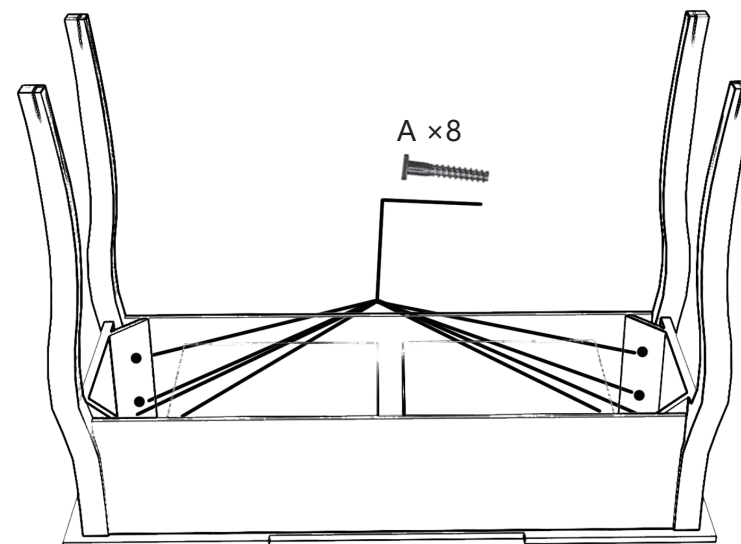
D

1PC

PRODUCT ASSEMBLY

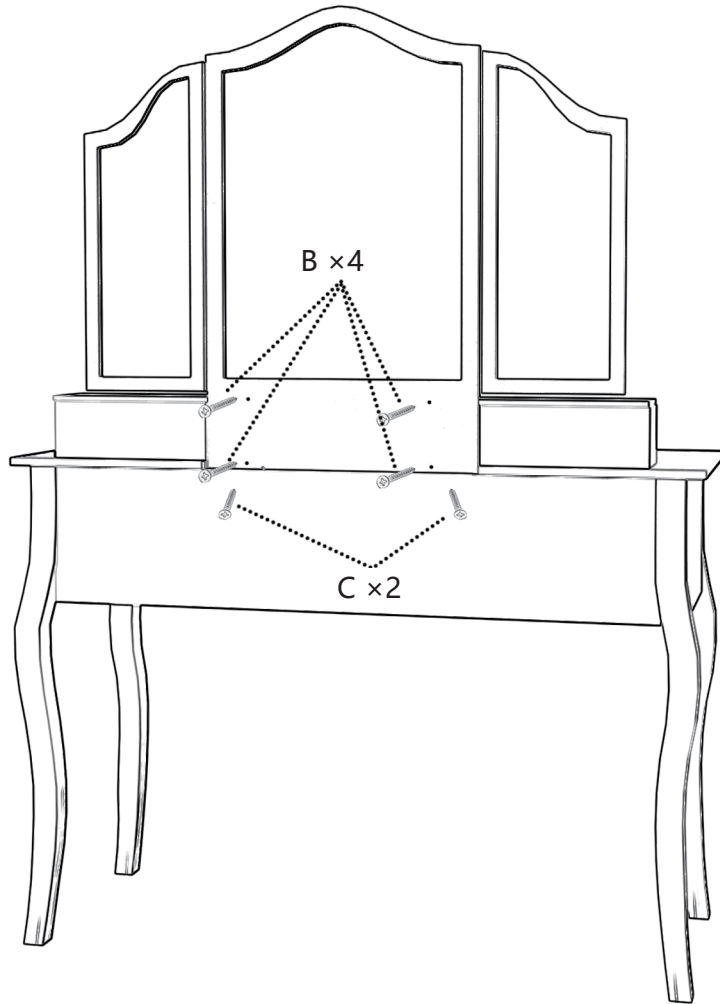
! Check the package contents before getting started !

STEP 1

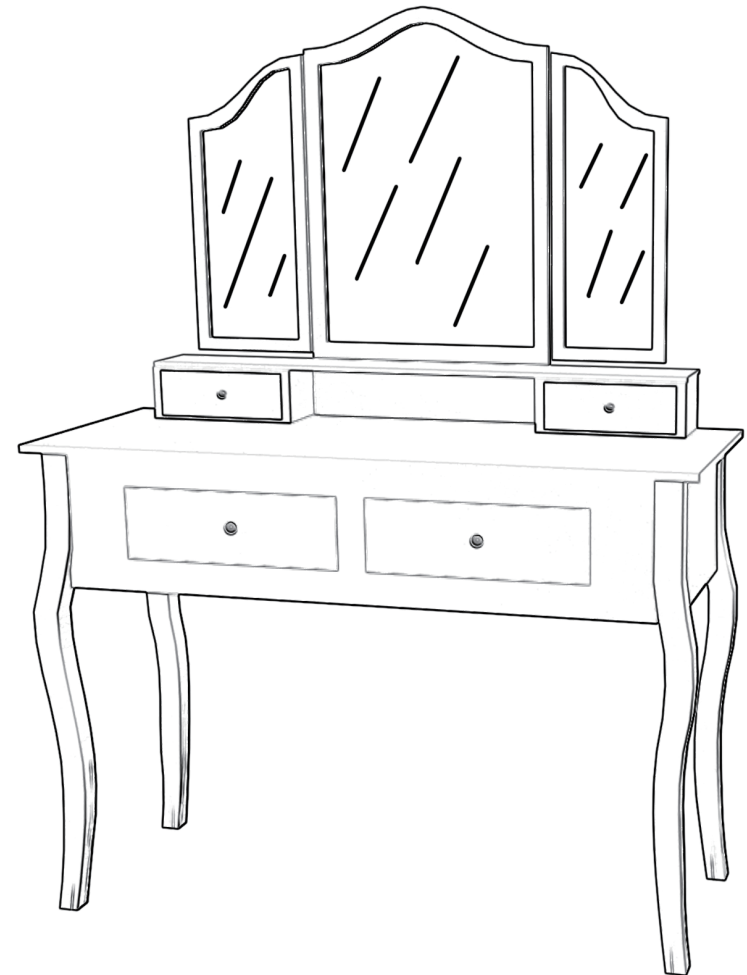


Do not screw all the screws when installing the table legs and stool legs. Keep half-screw state until all installation adjustments are complete before screwing the screws.

STEP 2

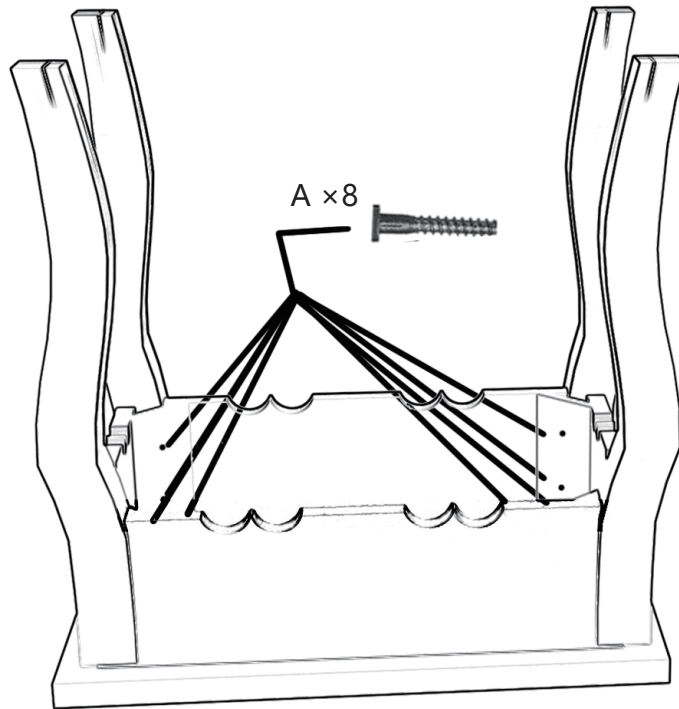


STEP 3



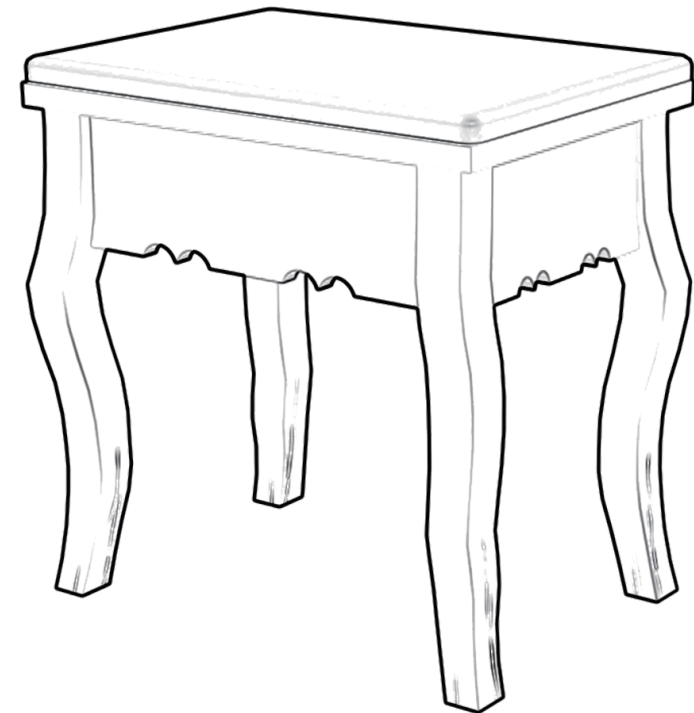
DINING TABLE FINISH

STEP 4



Do not screw all the screws when installing the table legs and stool legs.
Keep half-screw state until all installation adjustments are complete before
screwing the screws.

STEP 5



STOOL FINISH