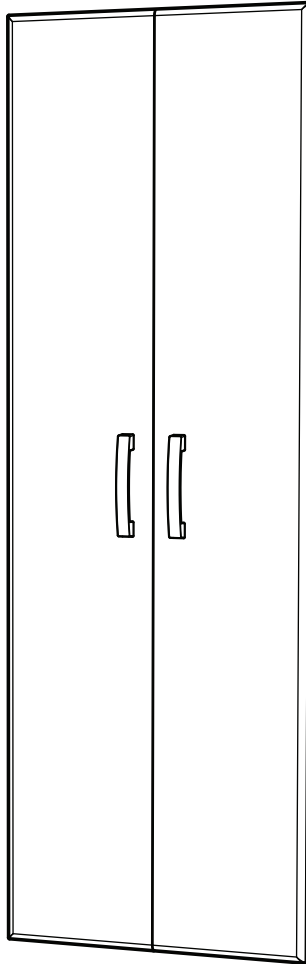


www.FlowWall.com



model number:

FWC-D01

Tall Doors

Fits FWC-C01

Distributed by:



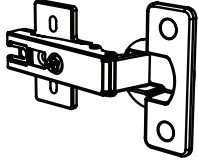
RST Brands / 1775 West 2300 South / Salt Lake City, Utah 84119

Ph: 801.924.2090 / www.rstbrands.com

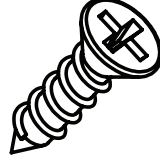
Flow Wall is a registered trademark of Red Star Traders, LLC

Step 1.

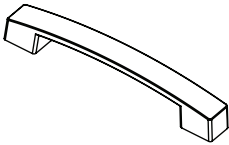
Parts List - Review this parts list and reference for future assembly steps. If you find any parts are missing, please contact Flow Wall via phone or email.



A Hinge
x6



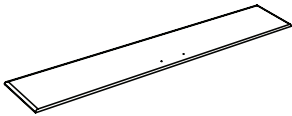
B Hinge Screw
x24



C Handle
x2



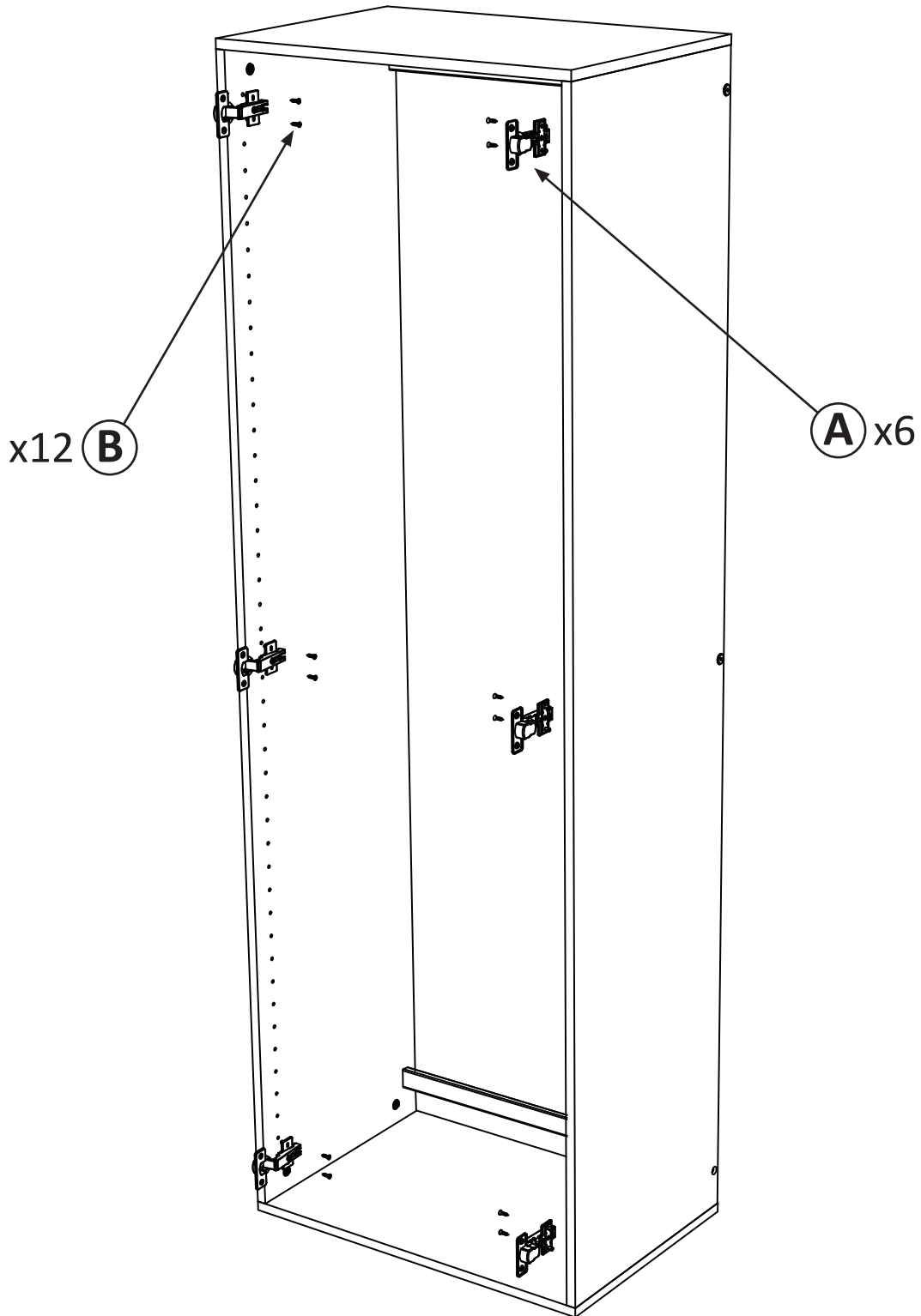
D Handle Screw
x4



E Door
x2

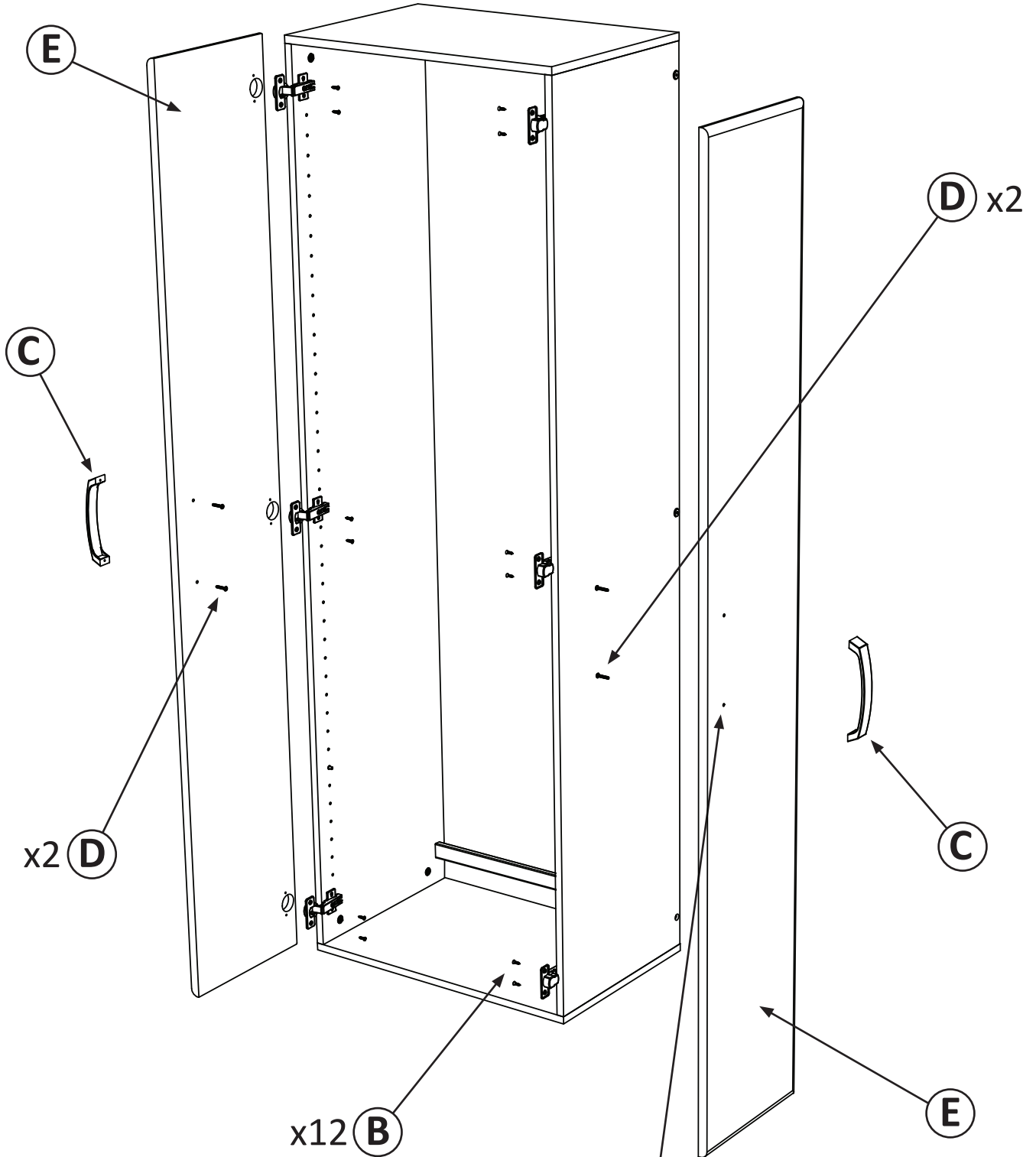
Step 2.

Assembly of Hinges - Assemble the hinges to the cabinet.



Step 3.

Add Doors - Assemble the doors to the hinges (Euro hinges are fully adjustable).
Add handles to each door.



NOTE: Handle holes may require the use of a screwdriver, awl, or drill bit to pierce through the outside laminate.