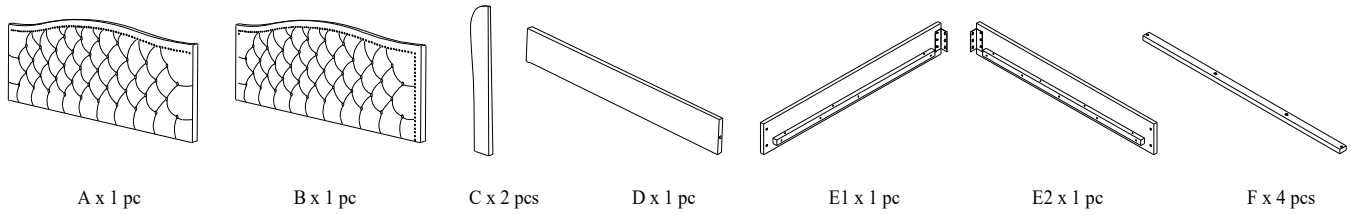


HEADBOARD AND FOOTBOARD SET ASSEMBLY INSTRUCTION (TOTAL 1 BOX)

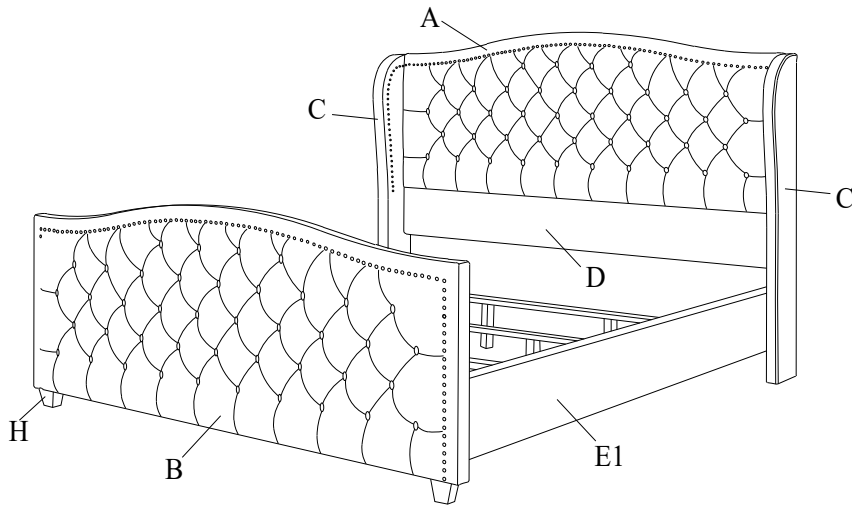


Please read over the instructions, it will be a time-saver in the long run.

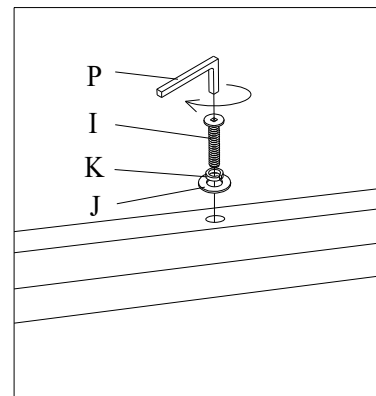
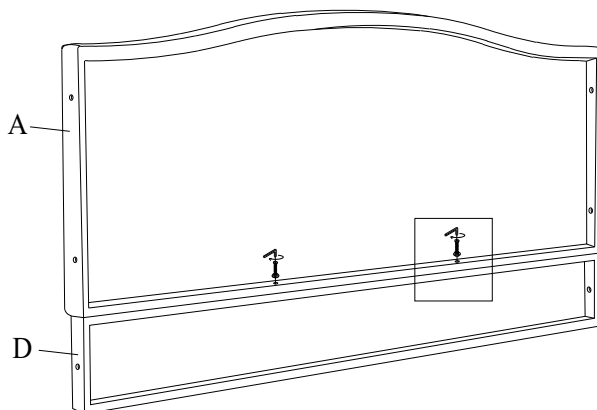
Note: Before assembly, please be sure to work on a soft flat surface to avoid any damage to the finish.

Please leave bolts loosened until all bolts are placed before tightening completely.

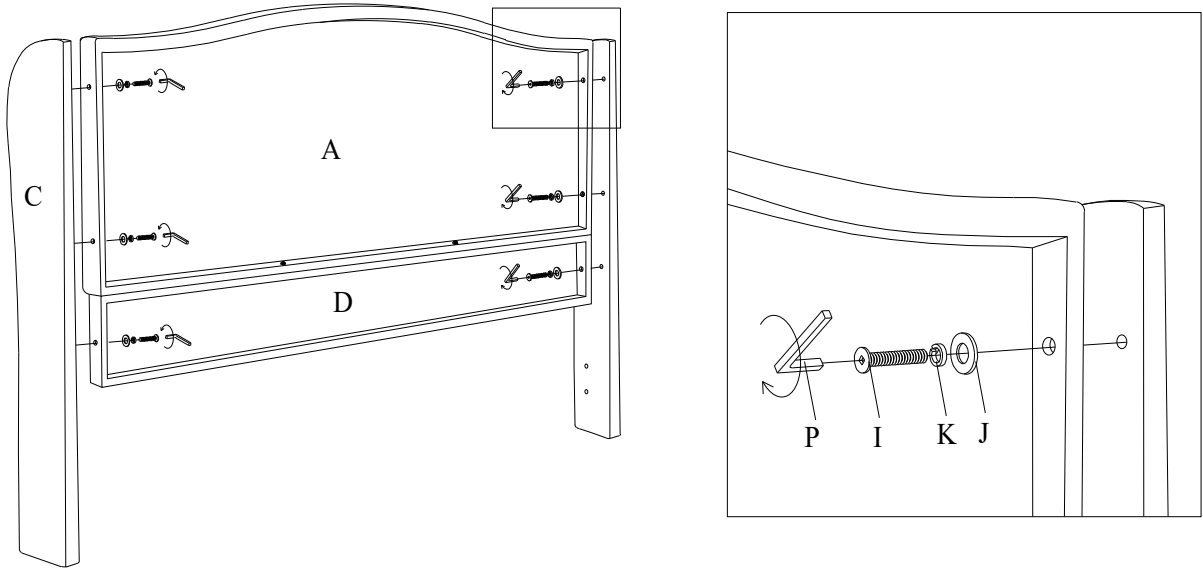
| Part# | Picture | Description | QTY | Location | Part# | Picture | Description | QTY | Location |
|-------|---------|---------------------|-----|----------------------------|-------|---------|---------------------|-----|------------------|
| G | | Center leg | 8 | Wrapped in a non-woven bag | M | | Bolt Ø6x30mm | 6 | Already in Place |
| H | | Legs | 2 | Wrapped in a non-woven bag | N | | Flat Washer Ø6x20mm | 6 | Already in Place |
| I | | Bolt Ø8x60mm | 12 | Hardware Pack | O | | Spring Washer Ø6 | 6 | Already in Place |
| J | | Flat Washer Ø8x25mm | 12 | Hardware Pack | P | | "L" Wrenches Ø5 | 1 | Hardware Pack |
| K | | Spring Washer Ø8 | 12 | Hardware Pack | Q | | "L" Wrenches Ø4 | 1 | Hardware Pack |
| L | | Screws 4x50mm | 8 | Hardware Pack | | | | | |



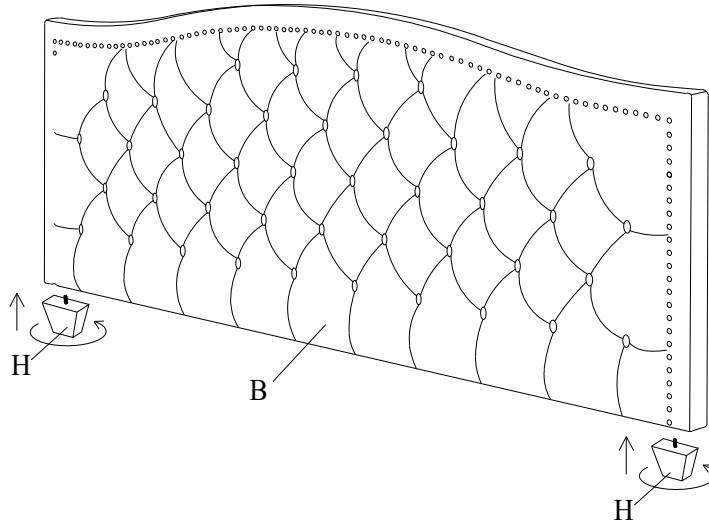
1



2



3



4

