



33 35TH STREET, INDUSTRY CITY BLDG.5, A405, BROOKLYN, NY 11232
 T 212.355.0625 F 212.355.0628 WWW.OASIQ.COM



370-D Daybed

W 76 1/4" D 35 1/2" H 23 5/8"

AH 23 5/8" SH 9 3/4" OSH 13 3/4"

72.2 lbs

Teak & black PP webbing

Cushions: 370-D-X

Seat cushion: L 73 1/2" W 34" H 4"

Back cushion: L 24" W 20" (4pcs/set)

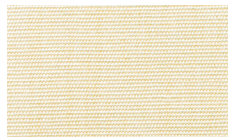
Bolster: L 73 1/2" Ø 8" (1pc),

L 26" Ø 8" (2pcs/set)

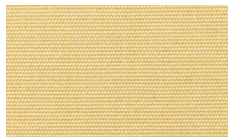
FABRIC AVAILABLE FOR ASTOR, HAMILTON, MADISON, DELANCEY & LIMITED COLLECTIONS



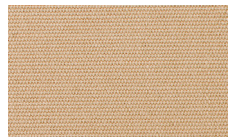
Canvas Natural 5404-0000



Canvas Vellum 5498-0000



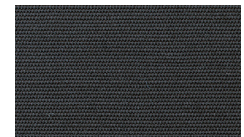
Canvas Wheat 5414-0000



Canvas Camel 5468-0000



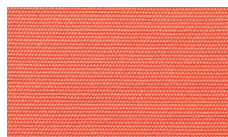
Canvas Granite 5402-0000



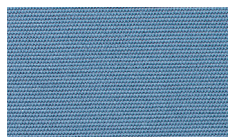
Canvas Black 5408-0000



Canvas Buttercup 5438-0000



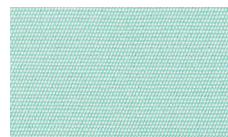
Canvas Melon 5415-0000



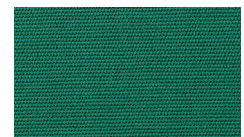
Canvas Sapphire Blue 5452-0000



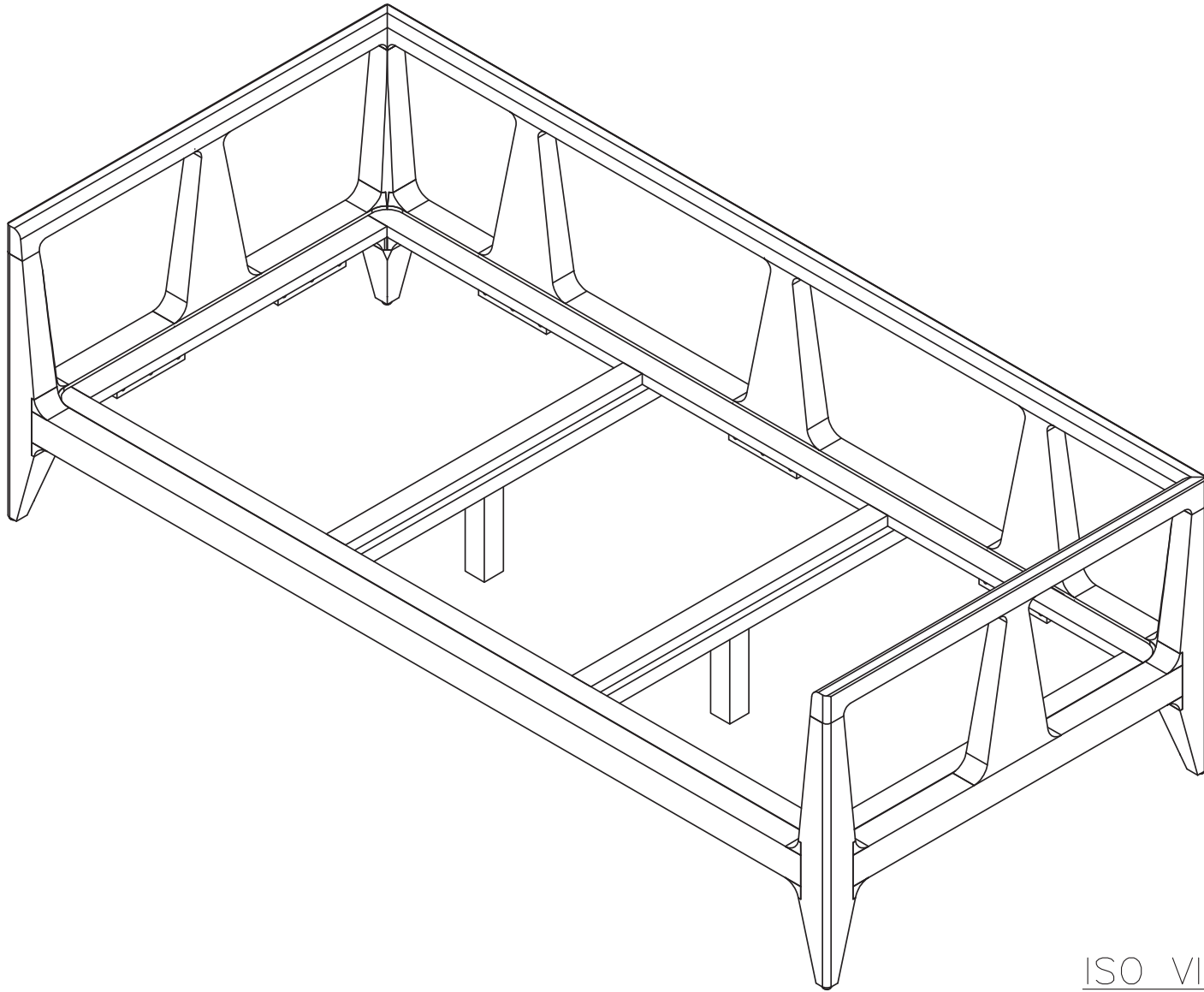
Canvas Sky Blue 5424-0000



Canvas Glacier 5428-0000



Canvas Forest Green 5446-0000



ISO VIEW

ISO

OASIQ

DWG.NO: FAEDG0005T-6

TITLE :ISO VIEW

DIM EXT: 900x1936.5x601.5 MM.

MATERIAL: TEAK

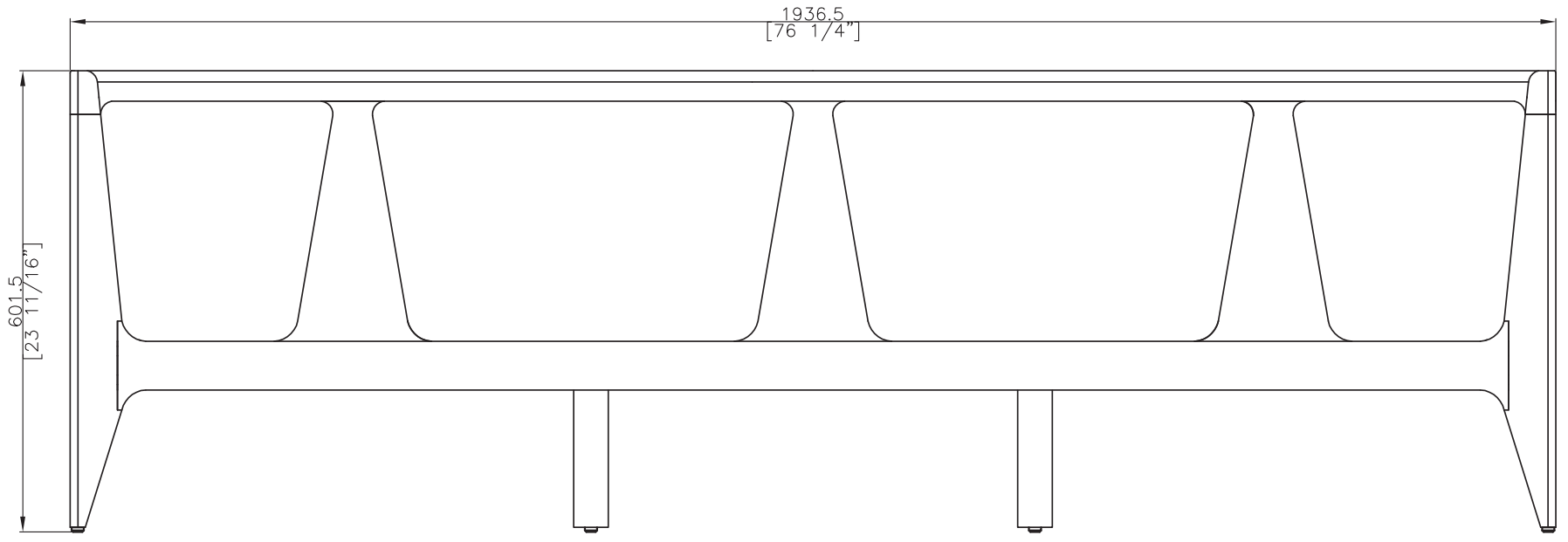
DRAWN BY : BURAPHA

FINISH DATE : 01-01-14
BEGIN DATE : 16/09/06

YUAN
KLA

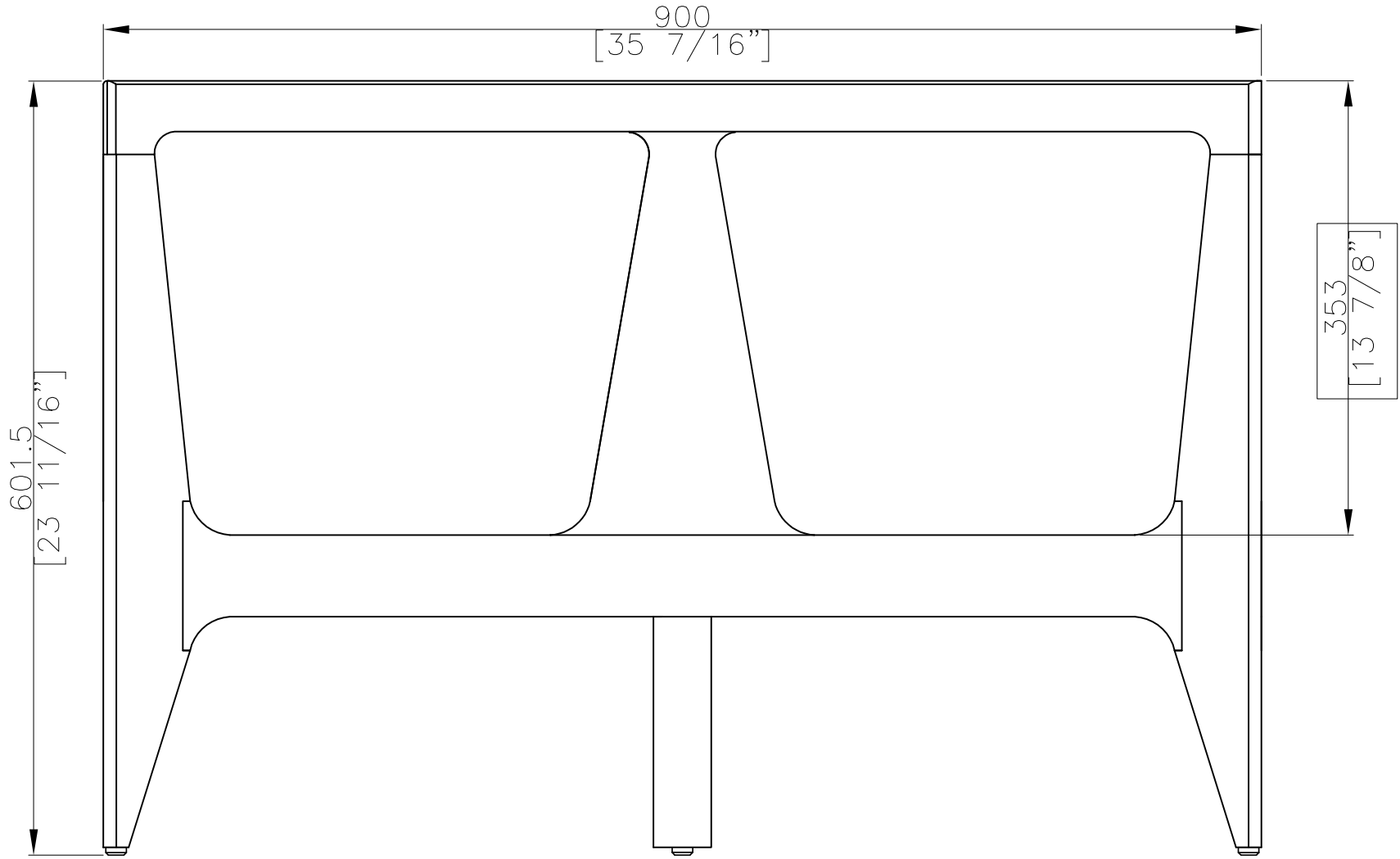
SCALE
no scale

P.3



FRONT

OASIQ	DWG.NO: FAEDG0005T-6	TITLE : FRONT	DIM EXT: 900x1936.5x601.5 MM.	MATERIAL:TEAK	DRAWN BY : ANON	FINISH DATE : 09-01-14	YUAN	SCALE	EF
						BEGIN DATE : 16/09/06	KLA	no scale	



SIDE

ES

OASIQ

DWG.NO: FAEDG0005T-6

TITLE :SIDE

DIM EXT: 900x1936.5x601.5 MM.

MATERIAL: TEAK

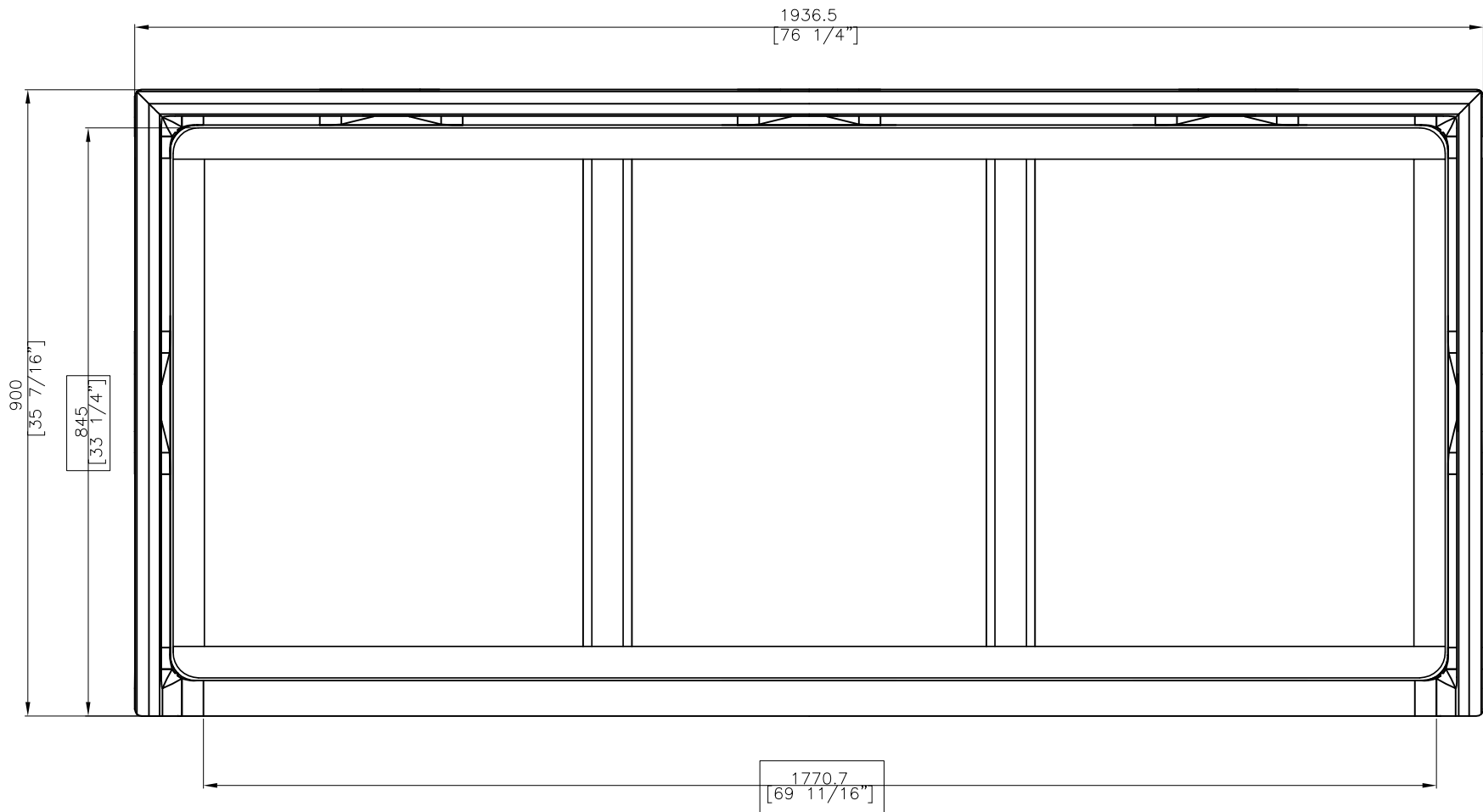
DRAWN BY : ANON

FINISH DATE : 09-01-14
 BEGN DATE : 16/09/08

YUAN
 KLA

SCALE
 no scale

P.6



TOP

ET

OASIQ

DWG.NO: FAEDG0005T-6

TITLE : TOP

DIM EXT: 900x1936.5x601.5 MM.

MATERIAL: TEAK

DRAWN BY : NOPPADON

FINISH DATE : 09-01-14
BEGIN DATE : 16/09/08

YUAN
KLA

SCALE
no scale

P.4